



US00D936625S

(12) **United States Design Patent** (10) **Patent No.:** **US D936,625 S**
Lee et al. (45) **Date of Patent:** **** *Nov. 23, 2021**

(54) **MOBILE PHONE**

- (71) Applicant: **LG ELECTRONICS INC.**, Seoul (KR)
- (72) Inventors: **Jonghak Lee**, Seoul (KR); **Sojin Kim**, Seoul (KR); **Jinki Min**, Seoul (KR); **Hongkyu Park**, Seoul (KR); **Seunghyun Ji**, Seoul (KR)
- (73) Assignee: **LG ELECTRONICS INC.**, Seoul (KR)
- (*) Notice: This patent is subject to a terminal disclaimer.
- (**) Term: **15 Years**

(21) Appl. No.: **29/708,900**

(22) Filed: **Oct. 10, 2019**

(30) **Foreign Application Priority Data**

Apr. 10, 2019 (JP) 2019-007914

(51) **LOC (13) Cl.** **14-03**

(52) **U.S. Cl.**
USPC **D14/138 AD; D14/341**

(58) **Field of Classification Search**
USPC D14/138 AD, 138 R, 138 AA, 341, 345, D14/346, 203.1, 203.3, 203.4, 203.7, 248,
(Continued)

(56) **References Cited**

U.S. PATENT DOCUMENTS

D536,684 S * 2/2007 Kim D14/138 AA
D551,647 S * 9/2007 Kim D14/138 AD
(Continued)

FOREIGN PATENT DOCUMENTS

CN 303428801 * 11/2015
JP D1370691 * 10/2009
(Continued)

OTHER PUBLICATIONS

Rollable display smartphones are coming NEXT!, GadgetMatch, youtube.com, dated Mar. 5, 2020, [online], [site visited Feb. 20, 2021]. Available from Internet, URL: <https://www.youtube.com/watch?v=uzExejMsVOY> (Year: 2020).*

(Continued)

Primary Examiner — Jeffrey D Asch

(74) *Attorney, Agent, or Firm* — Birch, Stewart, Kolasch & Birch, LLP

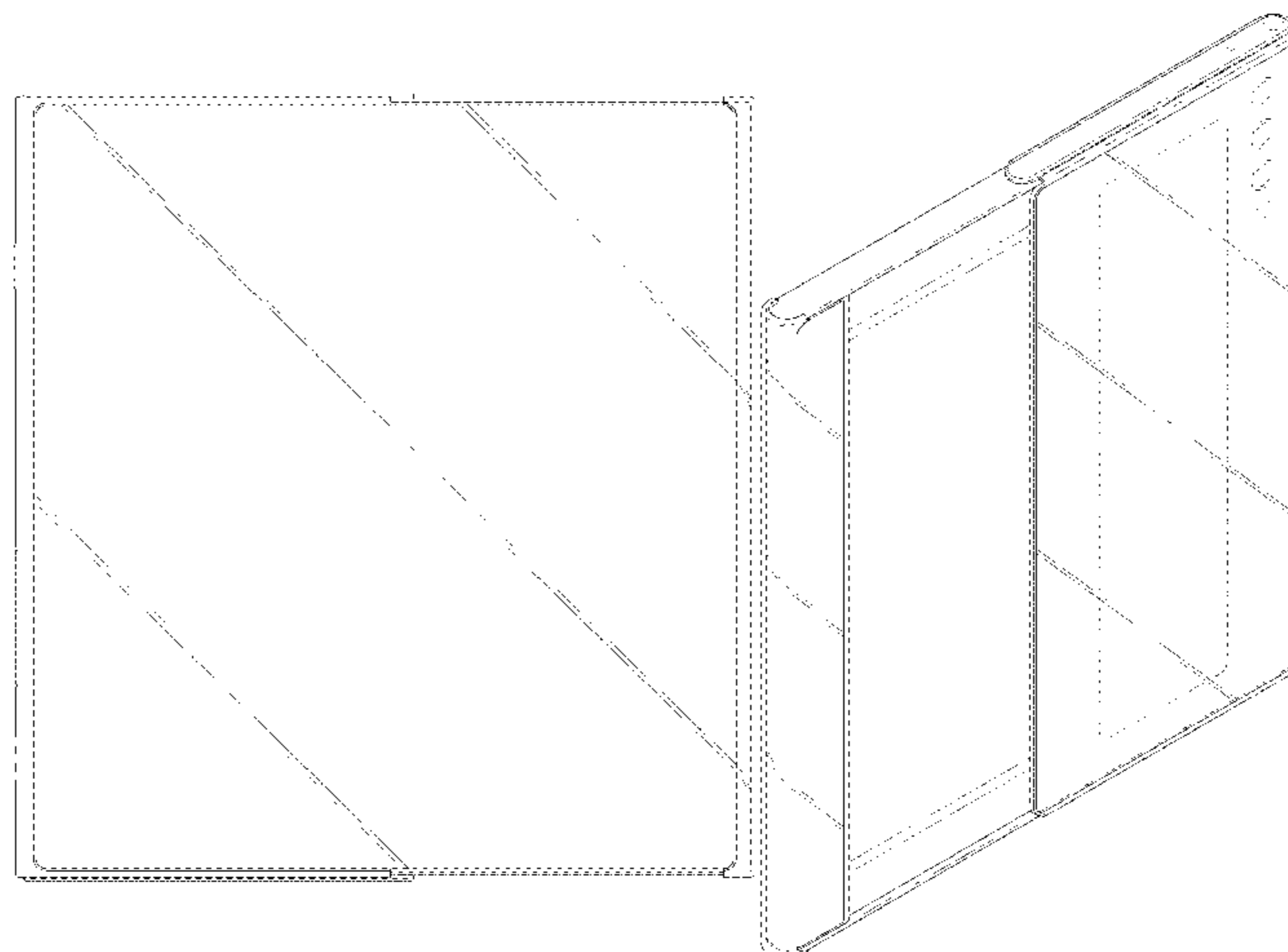
(57) **CLAIM**

The ornamental design for a mobile phone, as shown and described.

DESCRIPTION

FIG. 1 is a front perspective view of the mobile phone showing our new design;
FIG. 2 is a front view thereof;
FIG. 3 is a rear view thereof;
FIG. 4 is a left side view thereof;
FIG. 5 is a right side view thereof;
FIG. 6 is a top plan view thereof;
FIG. 7 is a bottom plan view thereof;
FIG. 8 is a rear perspective view thereof;
FIG. 9 is a rear perspective view showing the use state in which rear display part is operated, showing example displayed information;
FIG. 10 is a front perspective view in a condition that the claimed design has been expanded completely;
FIG. 11 is a front view of FIG. 10;
FIG. 12 is a rear view of FIG. 10;
FIG. 13 is a left side view of FIG. 10;
FIG. 14 is a right side view of FIG. 10;
FIG. 15 is a top plan view of FIG. 10;
FIG. 16 is a bottom plan view of FIG. 10;
FIG. 17 is a rear perspective view of FIG. 10; and,
FIG. 18 is a rear perspective view of FIG. 10 showing the use state in which right side display part is operated, showing example displayed information.

(Continued)



The broken lines depict portions of the mobile phone, and example displayed information in FIGS. 9 and 18, that form no part of the claimed design.

1 Claim, 18 Drawing Sheets

(58) **Field of Classification Search**

USPC D14/132, 501, 336, 496; D21/517;
D6/704; D16/241

CPC H04M 1/0237; H04M 1/206; H04M 1/208;
H04M 1/0241; H04M 1/0268; G06F
1/1652; G06F 1/1624

See application file for complete search history.

(56) **References Cited**

U.S. PATENT DOCUMENTS

D631,458	S *	1/2011	Liao	D14/138	G
D698,341	S *	1/2014	Lee	D14/248	
8,711,566	B2 *	4/2014	O'Brien	G06F 1/1624	
					361/724	
D712,401	S *	9/2014	Lee	D14/341	
D716,253	S *	10/2014	Lee	D14/138	AB
D722,036	S *	2/2015	Nam	D14/138	G
D750,067	S *	2/2016	Park	D14/341	
D750,617	S *	3/2016	Akana	D14/341	
9,286,812	B2 *	3/2016	Bohn	H04M 1/0268	
D761,253	S *	7/2016	Yamazaki	D14/341	
D766,891	S *	9/2016	Hong	D14/341	
D768,594	S *	10/2016	Szeto	D14/138	G
D778,869	S *	2/2017	Kim	D14/138	G
D779,481	S *	2/2017	Jun	D14/341	
D795,825	S *	8/2017	Kim	D14/138	R
D841,646	S *	2/2019	Son	D14/345	
D871,397	S *	12/2019	Seo	D14/341	
10,499,515	B2 *	12/2019	Lee	H05K 1/0283	
10,553,135	B2 *	2/2020	Lee	G09F 9/301	
D896,769	S *	9/2020	Lee	D14/138	AD
D902,899	S *	11/2020	Seo	D14/248	
10,880,417	B1 *	12/2020	Song	H04M 1/0237	
D912,045	S *	3/2021	Han	D14/341	
10,936,017	B1 *	3/2021	Choi	G06F 1/1686	
10,955,876	B1 *	3/2021	Song	G06F 1/1652	
10,963,014	B1 *	3/2021	Park	G06F 1/1679	
11,009,912	B2 *	5/2021	Kim	G06F 3/0485	
D923,598	S *	6/2021	Lee	D14/138	AD
11,043,191	B1 *	6/2021	Kang	G09G 5/373	
2008/0125171	A1 *	5/2008	Shin	H04M 1/03	
					455/556.1	
2009/0156264	A1 *	6/2009	Cho	H04M 1/0235	
					455/566	
2012/0314400	A1 *	12/2012	Bohn	G06F 1/1652	
					362/97.1	
2013/0058063	A1 *	3/2013	O'Brien	G06F 1/1652	
					361/807	
2014/0194165	A1 *	7/2014	Hwang	G06F 1/1652	
					455/566	
2016/0041716	A1 *	2/2016	Richardson	G06F 3/0483	
					345/173	
2016/0274718	A1 *	9/2016	Burr	G06F 1/1694	
2017/0364119	A1 *	12/2017	Lee	G06F 1/1652	
2018/0014417	A1 *	1/2018	Seo	H05K 1/189	
2018/0077808	A1 *	3/2018	Seo	G06F 3/04164	
2018/0188778	A1 *	7/2018	Shin	G06F 1/1652	

2018/0196476	A1 *	7/2018	Kang	G06F 1/1647	
2018/0373408	A1 *	12/2018	Lee	G06F 1/165	
2020/0022271	A1 *	1/2020	Park	G06F 1/1626	
2020/0033913	A1 *	1/2020	Yang	G06F 1/1624	
2020/0174522	A1 *	6/2020	Lim	A45C 13/20	
2020/0253063	A1 *	8/2020	Jiang	G06F 1/1652	
2020/0264660	A1 *	8/2020	Song	G06F 1/1686	
2020/0264826	A1 *	8/2020	Kwon	G06F 1/1681	
2020/0267246	A1 *	8/2020	Song	H05K 1/148	
2020/0267247	A1 *	8/2020	Song	H04M 1/0237	
2020/0341514	A1 *	10/2020	Li	G06F 1/1647	
2020/0348727	A1 *	11/2020	Lee	G06F 1/1626	
2020/0383214	A1 *	12/2020	Kim	H05K 5/0217	
2021/0044683	A1 *	2/2021	He	H04M 1/0268	
2021/0072796	A1 *	3/2021	Kim	G06F 1/16	
2021/0181801	A1 *	6/2021	Yin	H04M 1/0237	
2021/0185835	A1 *	6/2021	Song	H05K 5/0017	
2021/0201709	A1 *	7/2021	Lee	G06F 1/1652	

FOREIGN PATENT DOCUMENTS

JP	D1476428	*	8/2013
WO	D203815-001	*	11/2019
WO	D202678-001	*	12/2019

OTHER PUBLICATIONS

LG's Rollable Phone is becoming a REALITY!, TechAvid youtube.com, dated Dec. 2, 2020, [online], [site visited Feb. 20, 2021]. Available from Internet, URL: <https://www.youtube.com/watch?v=tZK6a4-GunE> (Year: 2020).*

Oppo Rollable Display Phone Hands-on Experience, Creator Studio, youtube.com, dated Nov. 17, 2020, [online], [site visited Feb. 20, 2021]. Available from Internet, URL: <https://www.youtube.com/watch?v=CUTmYqJcVpQ> (Year: 2020).*

TCL's sliding-screen concept phone, CNET, youtube.com, dated Mar. 5, 2020, [online], [site visited Feb. 20, 2021]. Available from Internet, URL: <https://www.youtube.com/watch?v=kl5H7NhNTg> (Year: 2020).*

Oppo X 2021 Rollable Concept Phone Truly Looks Like the Next Big Thing, by Kelvin, Nov. 18, 2020, Concept Phones,[online], [site visited Feb. 20, 2021]. Available from Internet, URL: <https://www.concept-phones.com/news/oppo-x-2021-rollable-concept-phone-truly-looks-like-the-next-big-thing/> (Year: 2020).*

The Scroll is Back! Flexible Device Has Scrollable Part Coming Out, by Kelvin, Mar. 14, 2018, Concept Phones, [online], [site visited Feb. 20, 2021]. Available from Internet, URL: <https://www.concept-phones.com/samsung/scroll-flexible-device-scrollable-part-coming/> (Year: 2018).*

LG Rollable Phone Versus TCL Rollable Phone; Who Won CES 2021?, by Kelvin, Jan. 14, 2021, Concept Phones, [online], [site visited Feb. 20, 2021]. Available from Internet, URL: <https://www.concept-phones.com/lg/lg-rollable-phone-versus-tcl-rollable-phone-who-won-ces-2021/> (Year: 2021).*

Shh, Samsung will demo phone with a slide-out display at a secret meeting today, Daniel Petrov, Jan. 7, 2020, PhoneArena, [online], [site visited Feb. 20, 2021]. Available from Internet, URL: https://www.phonearena.com/news/samsung-slide-display-phone-ces-2020_id121415 (Year: 2020).*

Top 5 Rollable Phones with Sliding screens 2021 | Rollable Smartphones | Rolling Display Phones, Top 5 Gadgets, youtube.com, dated Nov. 25, 2020, [online], [site visited Feb. 20, 2021]. Available from Internet, URL: <https://www.youtube.com/watch?v=ZjofT-71k8U> (Year: 2020).*

* cited by examiner

FIG. 1

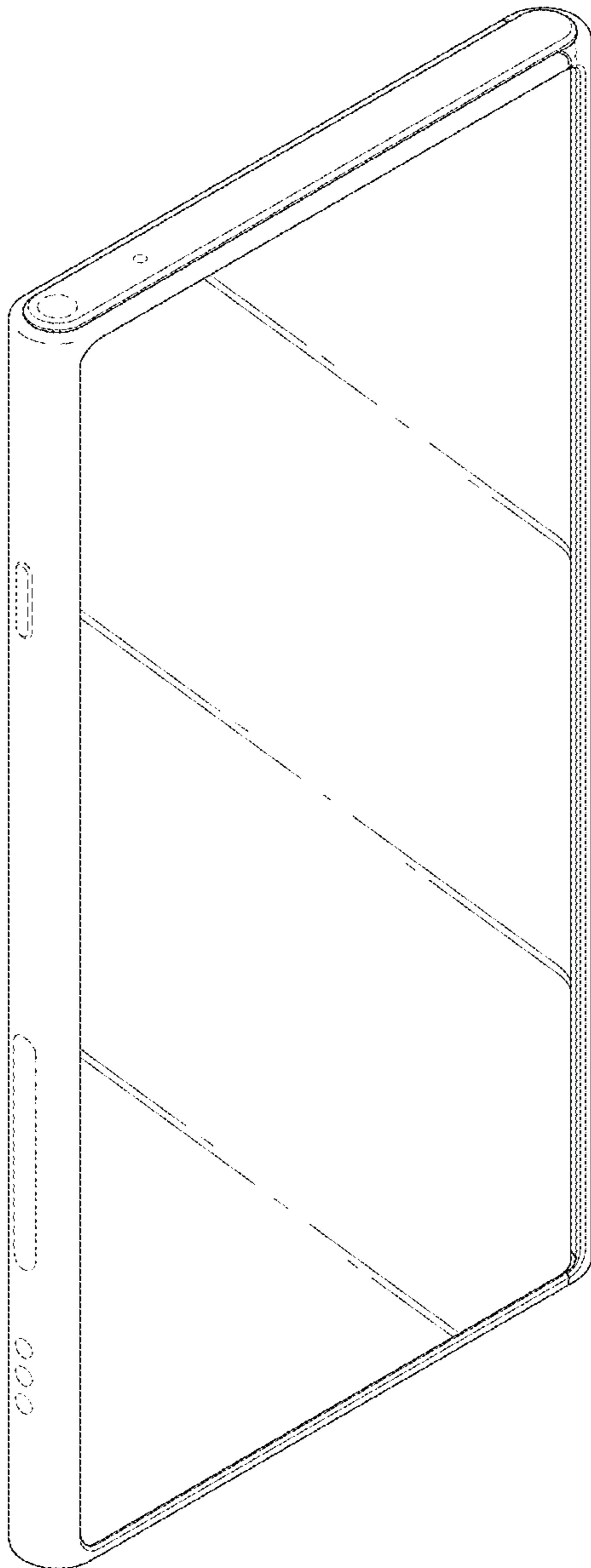


FIG. 2

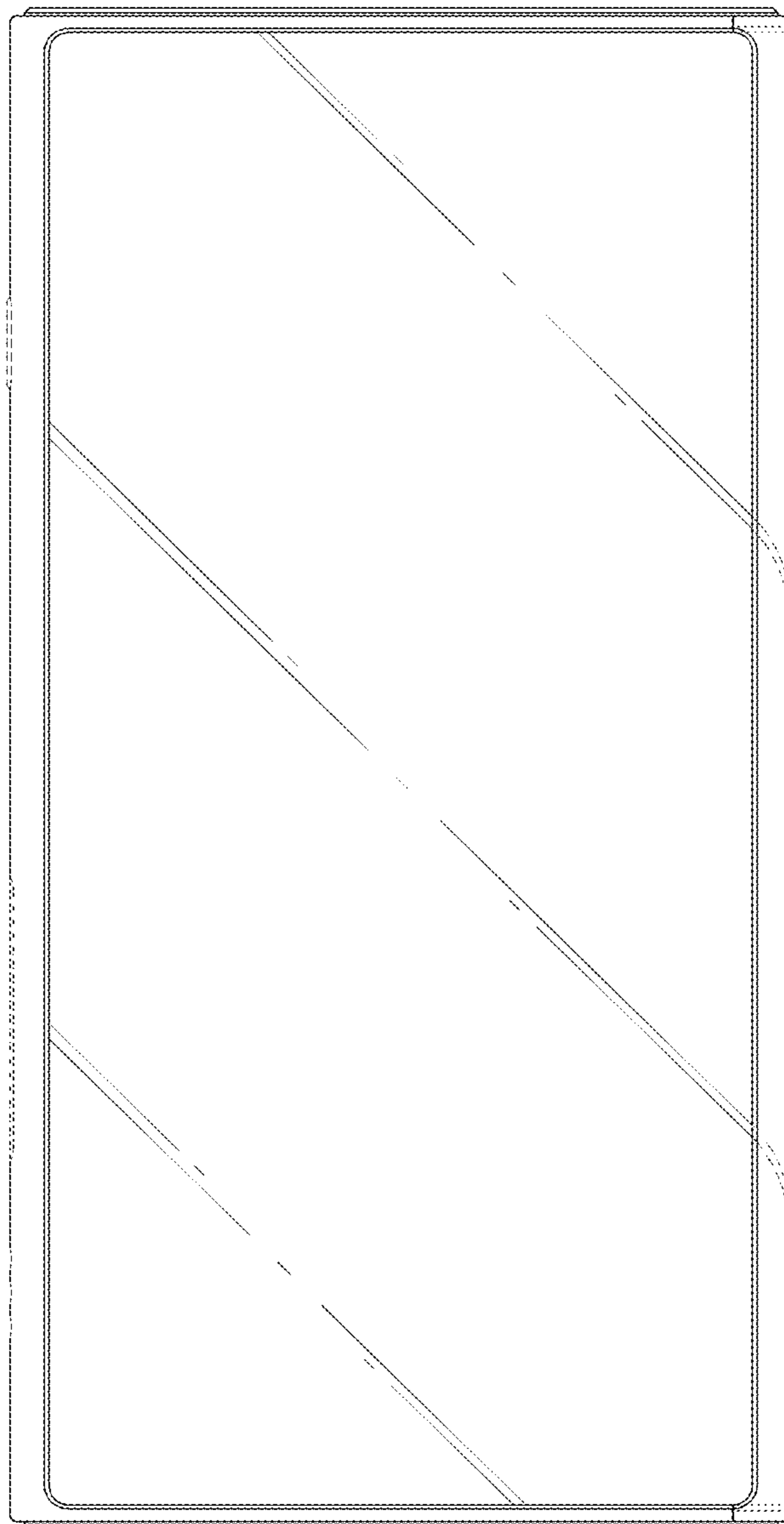


FIG. 3

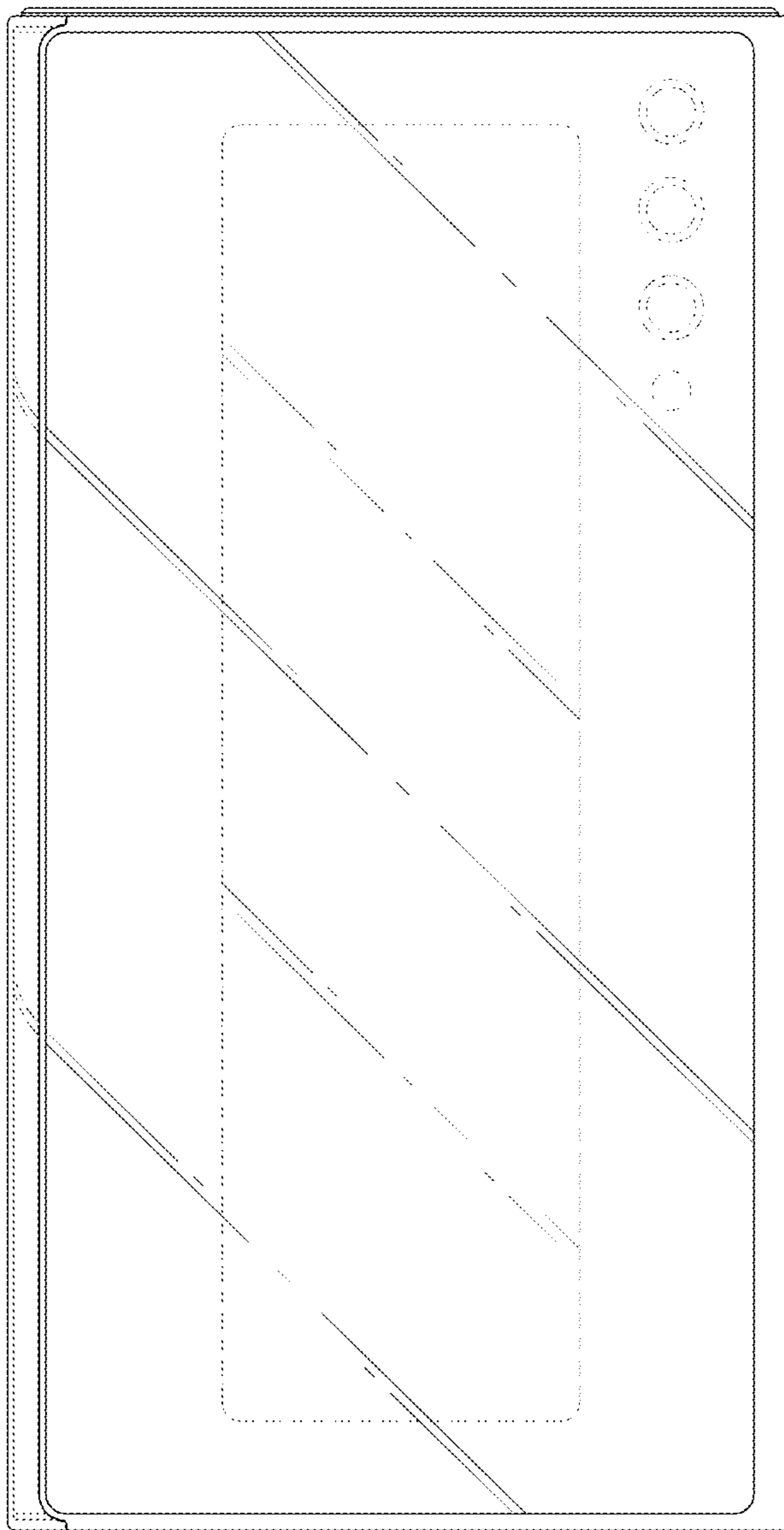


FIG. 4

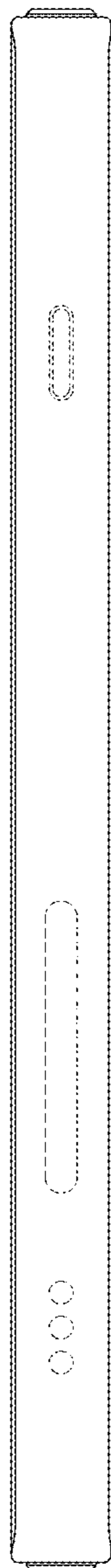


FIG. 5

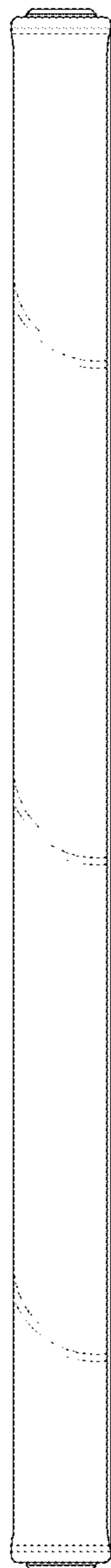


FIG. 6

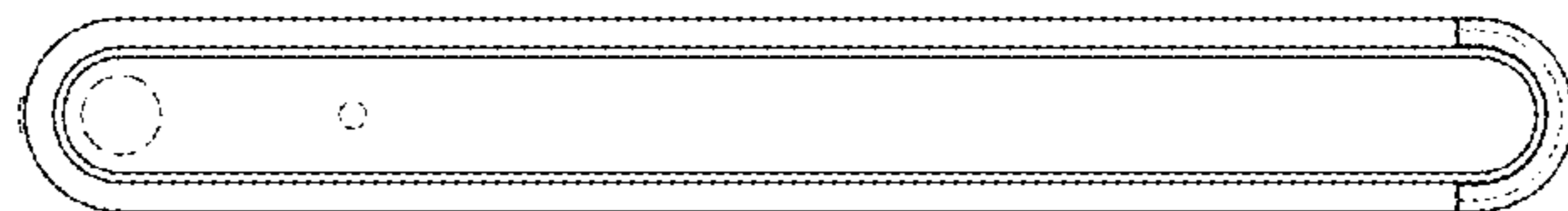


FIG. 7

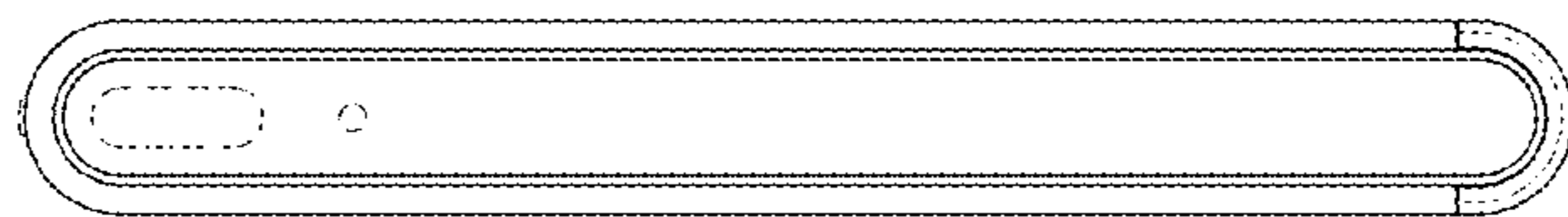


FIG. 8

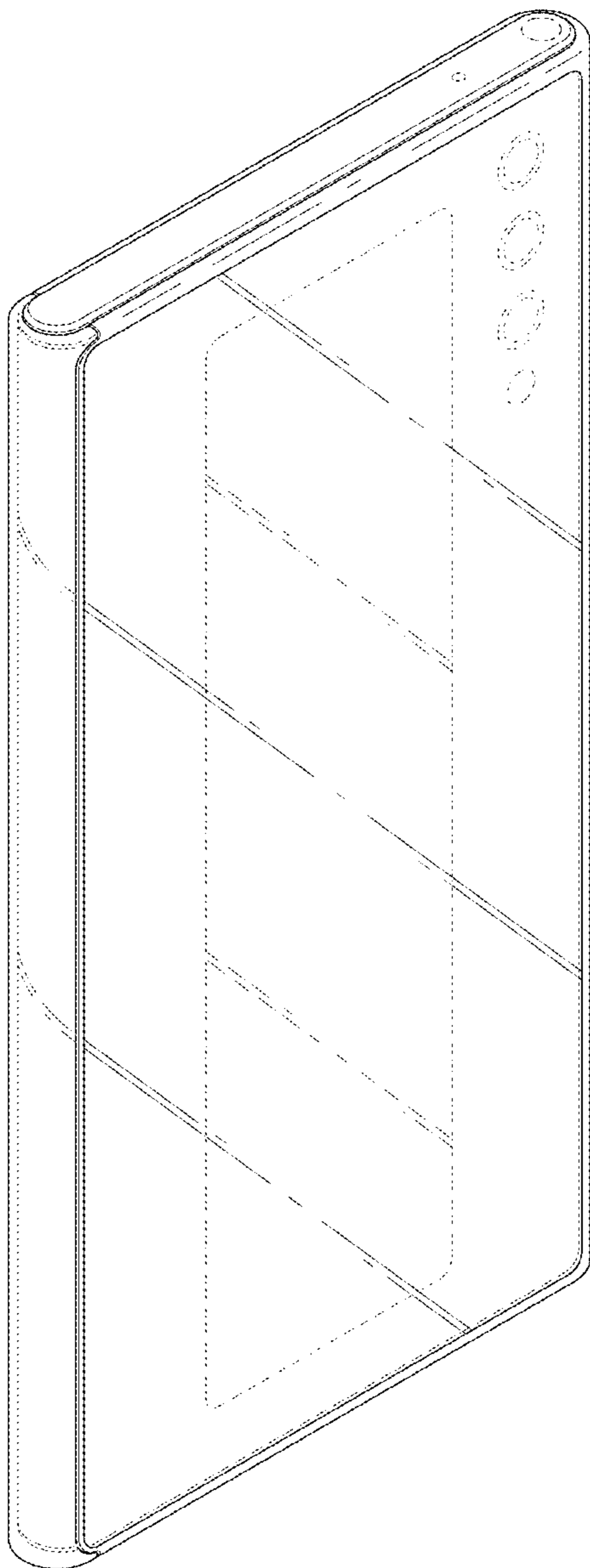


FIG. 9

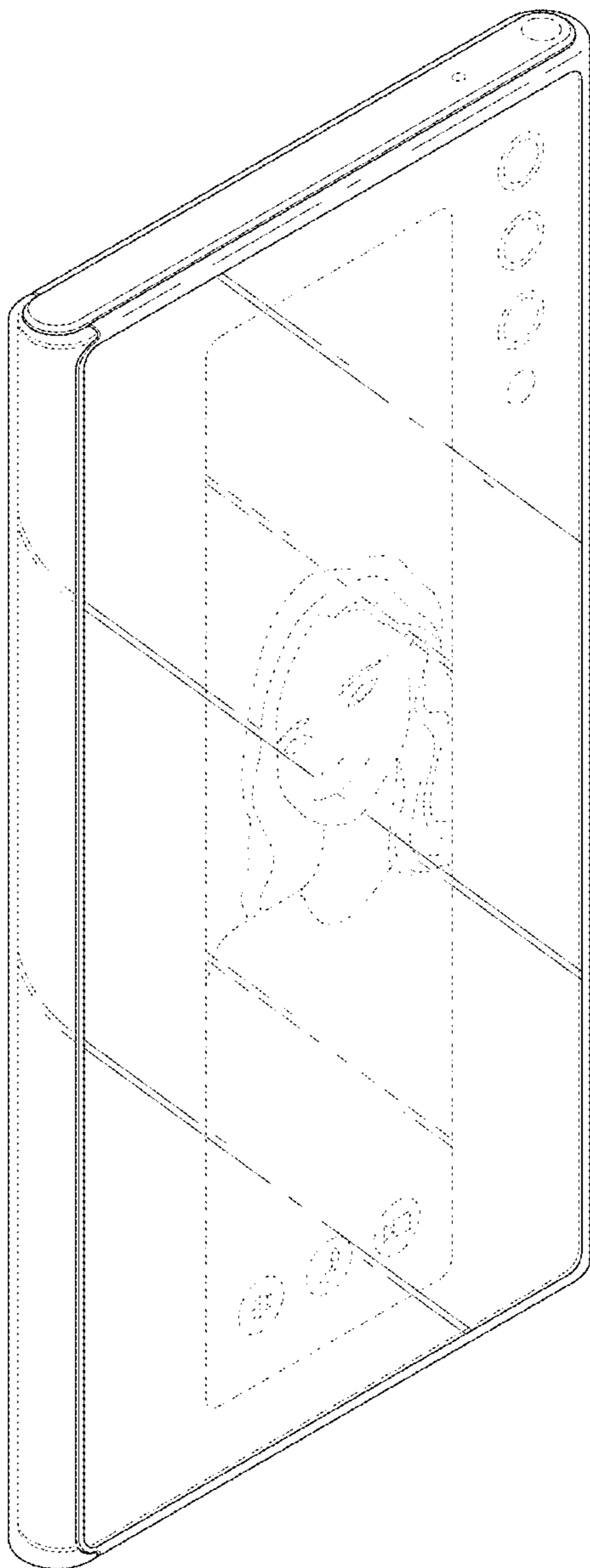


FIG. 10

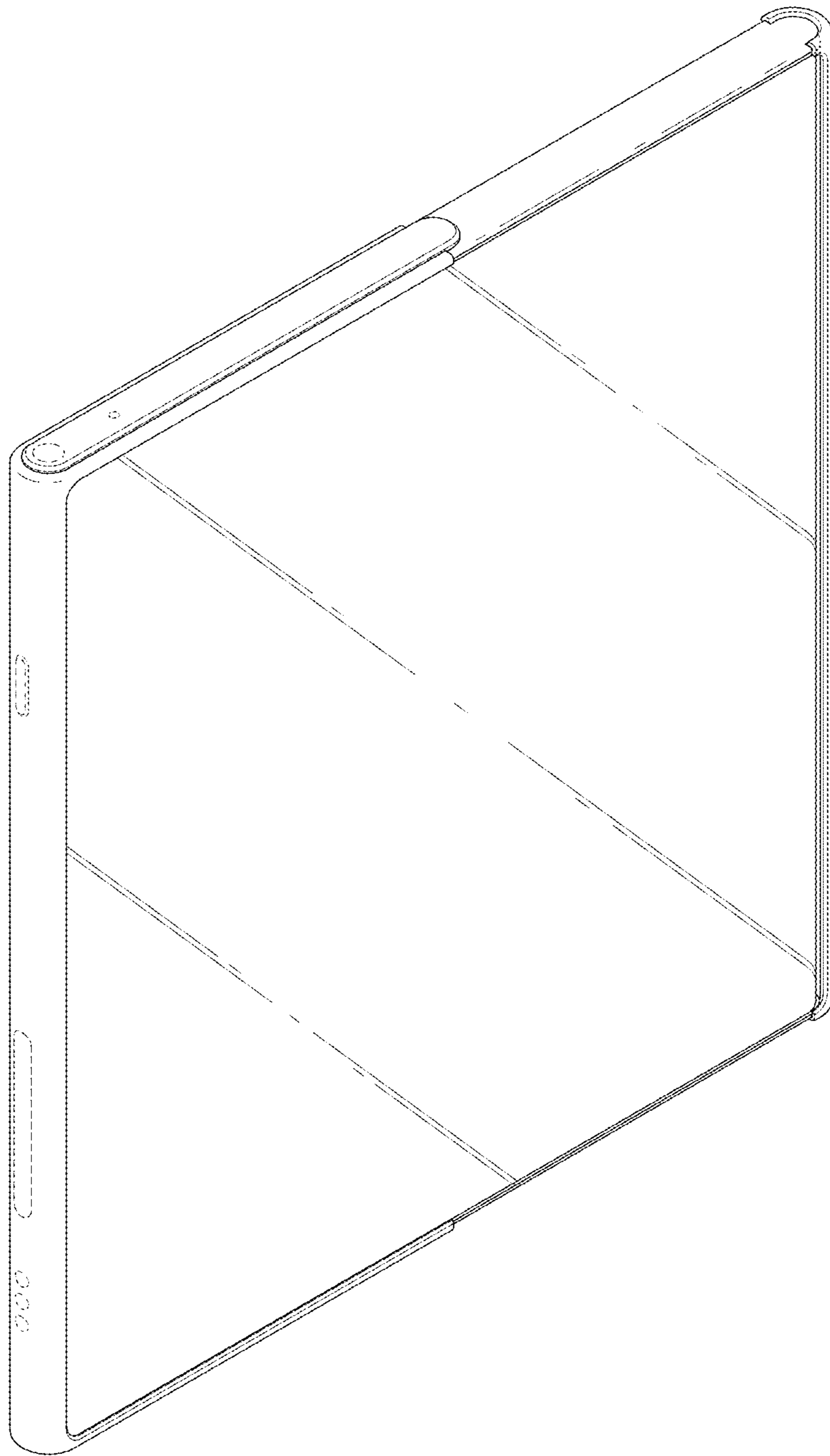


FIG. 11

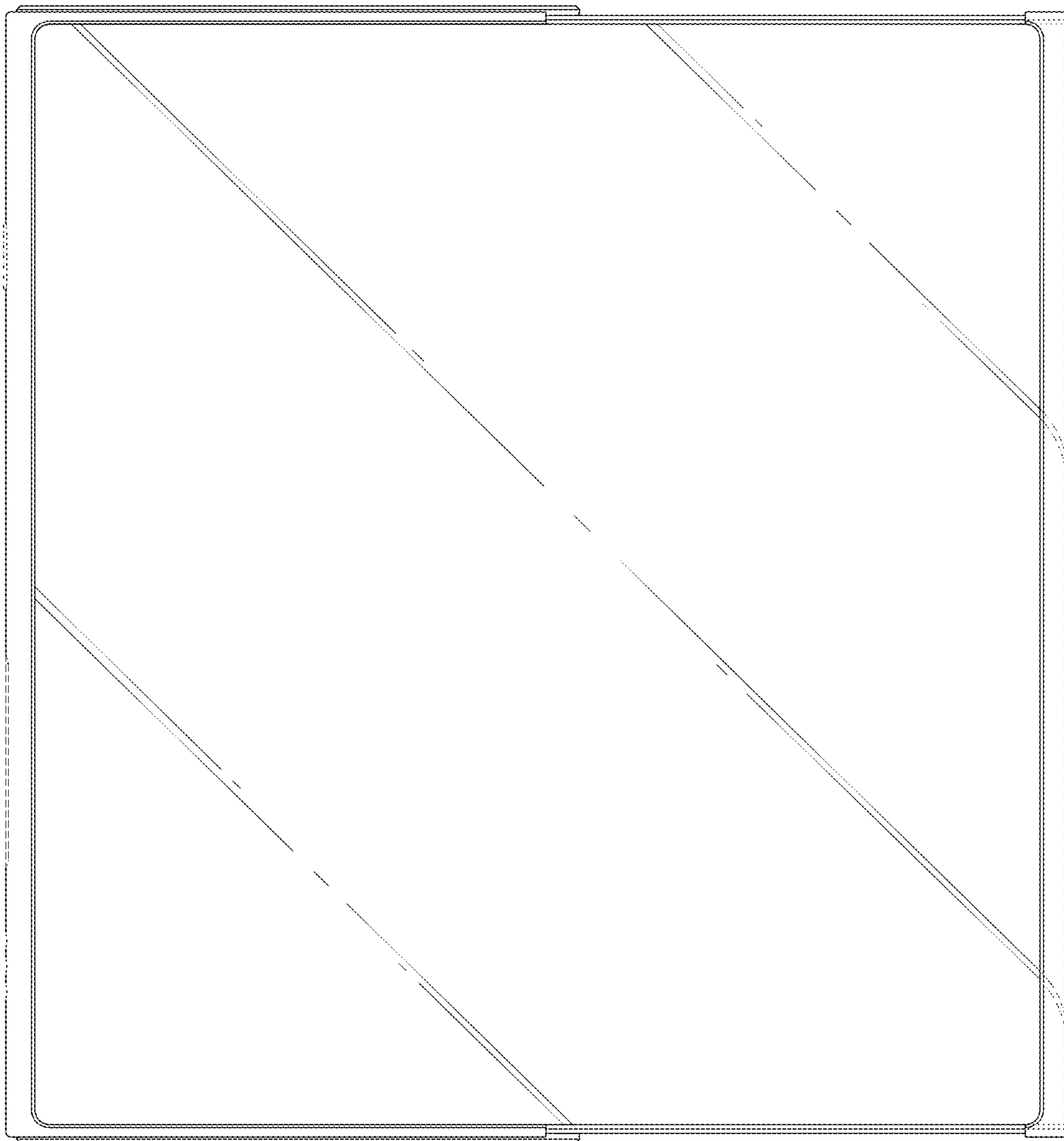


FIG. 12

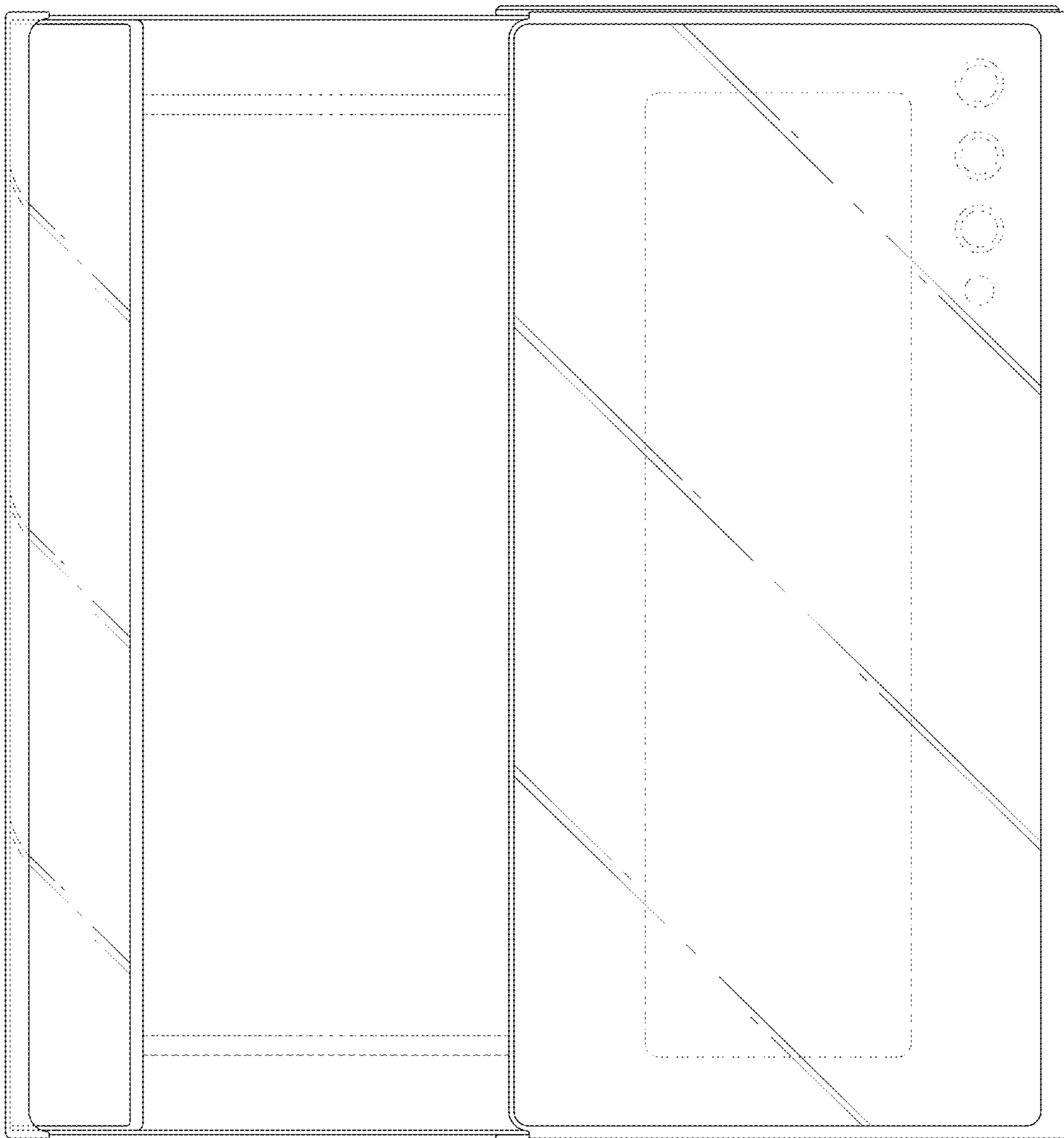


FIG. 13



FIG. 14

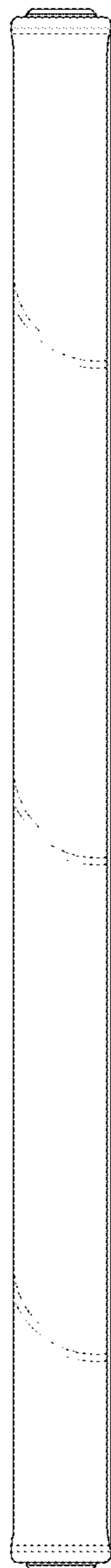


FIG. 15

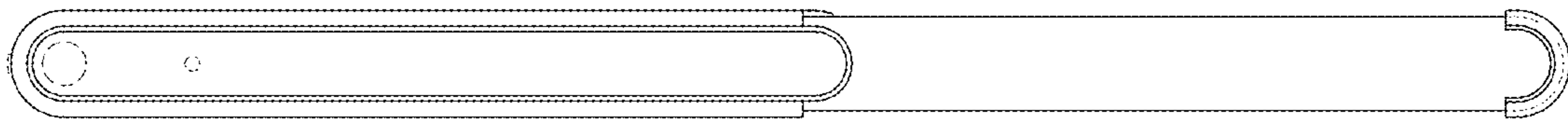


FIG. 16

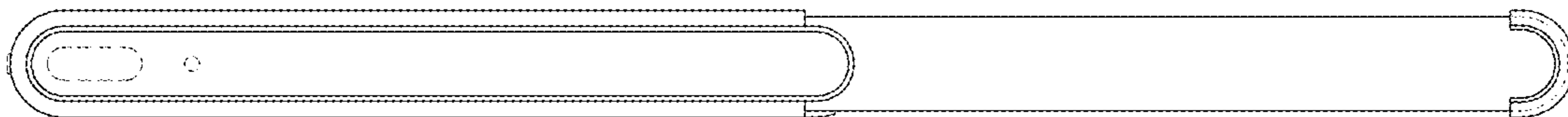


FIG. 17

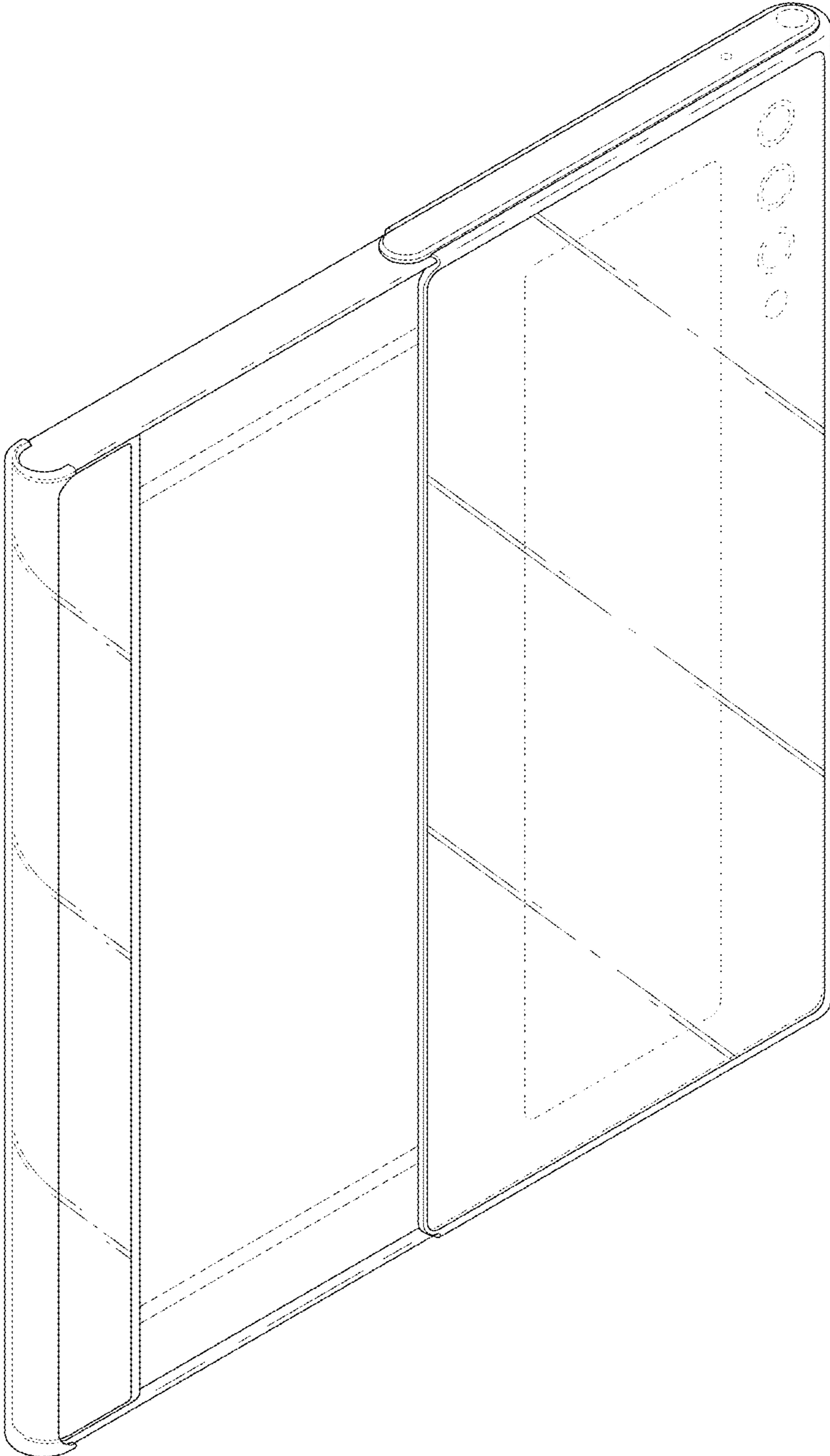


FIG. 18

