



US00D936624S

(12) **United States Design Patent** (10) **Patent No.:** **US D936,624 S**
Xiao (45) **Date of Patent:** **** Nov. 23, 2021**

(54) **WALKIE TALKIE**
(71) Applicant: **Shenzhen Beijia Electronic Technology Co., Ltd., Shenzhen (CN)**

D717,260 S * 11/2014 Kang D14/137
D831,600 S * 10/2018 Aihsan D14/137
D891,385 S * 7/2020 Zhang D14/137

(72) Inventor: **Rundong Xiao, Shenzhen (CN)**

(**) Term: **15 Years**

(21) Appl. No.: **29/692,866**

(22) Filed: **May 29, 2019**

(30) **Foreign Application Priority Data**

Dec. 14, 2018 (CN) 201830726309.8

(51) **LOC (13) Cl.** **14-03**

(52) **U.S. Cl.**
USPC **D14/137**

(58) **Field of Classification Search**
USPC D14/137, 138 R, 138 AA, 138 AD;
D10/104.1
CPC .. H04B 1/3833; H04B 1/3827; H04B 1/3855;
H04B 2001/3861; H04M 1/0202; H04M
1/03; H04M 1/035
See application file for complete search history.

(56) **References Cited**

U.S. PATENT DOCUMENTS

D465,774 S * 11/2002 Nuovo D14/138 AA
D469,708 S * 2/2003 To D10/104.1
D494,559 S * 8/2004 Fuxen D14/138 AA
D496,635 S * 9/2004 Lodato D14/137
D498,219 S * 11/2004 Hamann D14/138 AA
D510,332 S * 10/2005 Haase D14/137
D514,541 S * 2/2006 Tyneski D14/138 AA
D597,508 S * 8/2009 Kim D14/138 AD
D632,269 S * 2/2011 Garra D14/137
D635,946 S * 4/2011 Garra D14/137

OTHER PUBLICATIONS

Midland LXT118, Date First Available: Apr. 16, 2012, [online], [retrieved on Mar. 16, 2021], Retrieved from Internet ,<URL: [* cited by examiner](https://www.amazon.com/Midland-Talkies-Channel-Hands-Free-Resistant/dp/B007B5ZNV8/ref=sr_1_18_sspa?dchild=1&keywords=interphone%2C+walkie+talkies&qid=1615916524&sr=8-18-spons&psc=1&spLa=ZW5jcnlwdGVkUXVhbGlmaWVyPUEzMEpVSVITRzRMVkJmVjY3J5cHRIZEikPUEwNzc1ODcwMlFFSTZTRDVJME9FMCZlbnNyeXB0ZWRBZEikPUEwMDc0OTczMlpCSVZINVVDTUJRViZ3aWRnZXROYW1lPXNwX2F0ZI9uZXh0JmFjdGlvbj1jbGlja1JIZGIyZWNoJmRvTm90TG9nQ2xpY2s9dHJ1ZQ==>.*</p></div>
<div data-bbox=)

Primary Examiner — Bridget L Eland

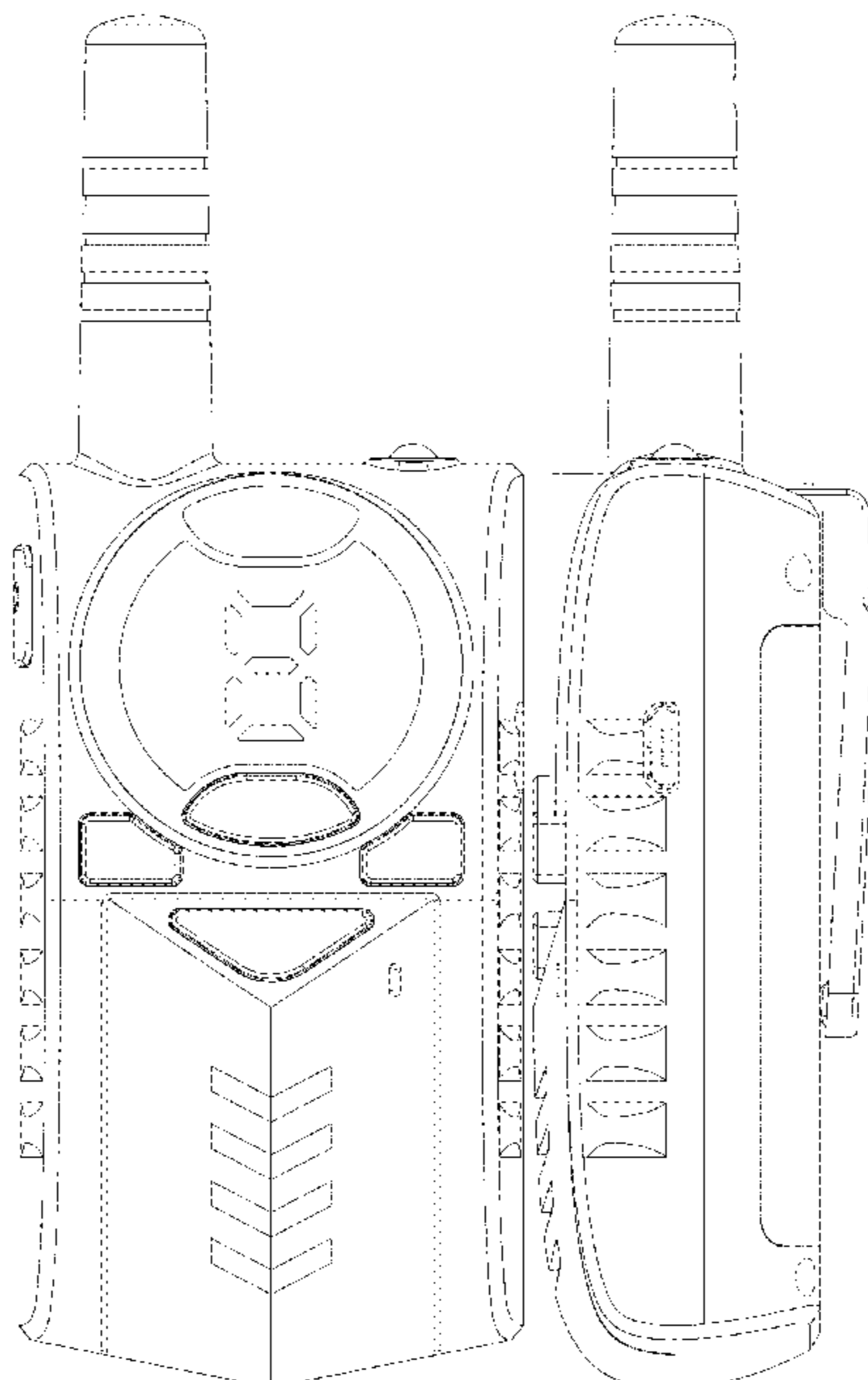
(57) **CLAIM**

The ornamental design for a walkie talkie, as shown and described.

DESCRIPTION

FIG. 1 is a front view of a walkie talkie, showing my new design;
FIG. 2 is a back view thereof;
FIG. 3 is a right side view thereof;
FIG. 4 is a left side view thereof;
FIG. 5 is a top view thereof;
FIG. 6 is a bottom view thereof; and,
FIG. 7 is a perspective view thereof.
The broken lines shown in the drawings depict portions of the walkie talkie that form no part of the claimed design.

1 Claim, 7 Drawing Sheets



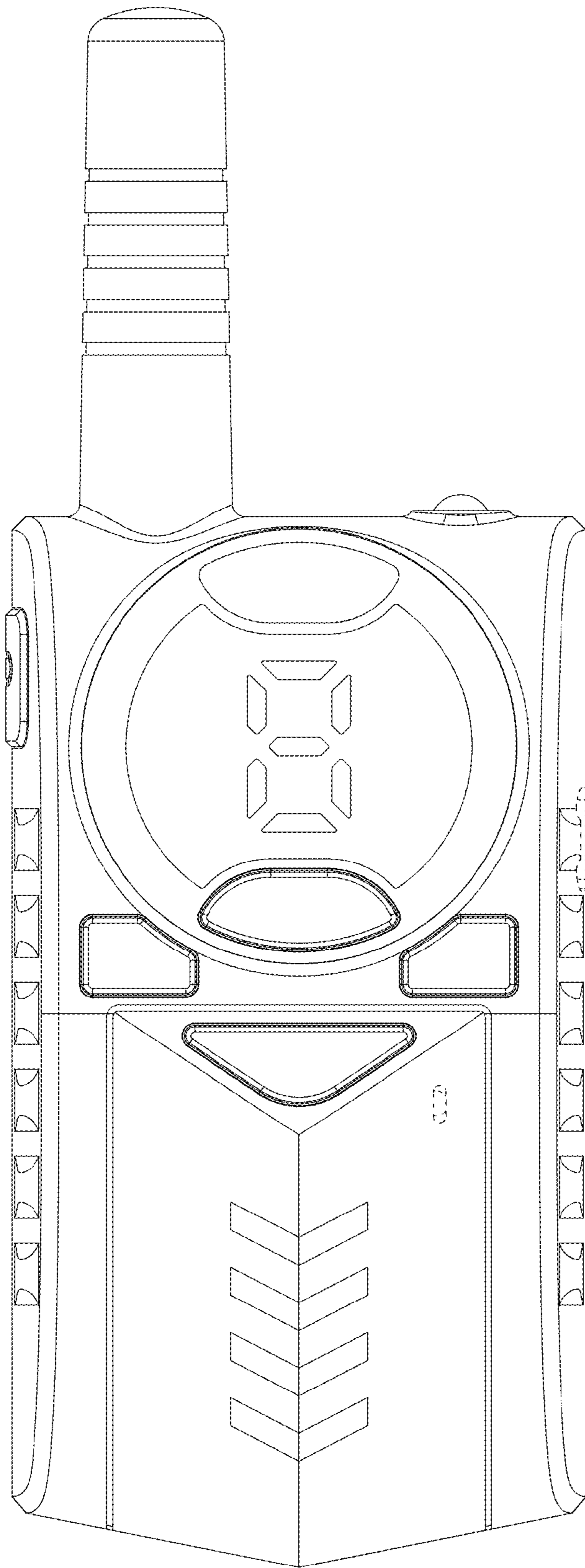


FIG. 1

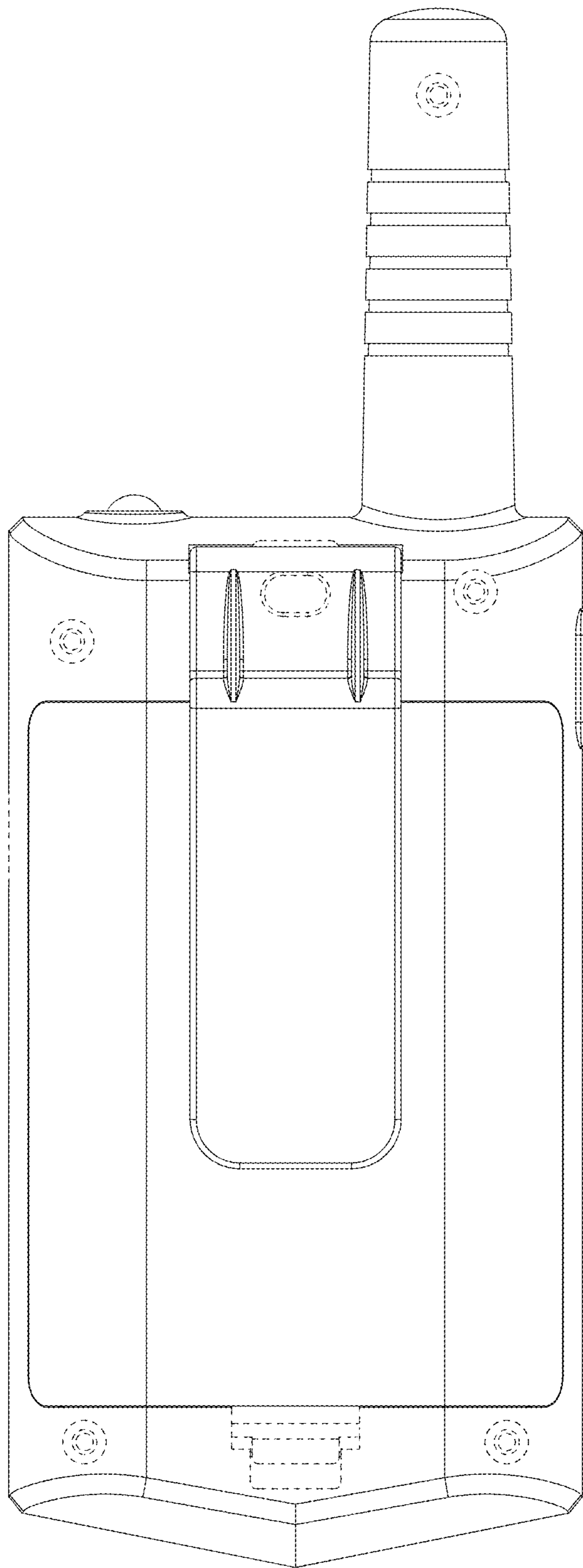


FIG. 2

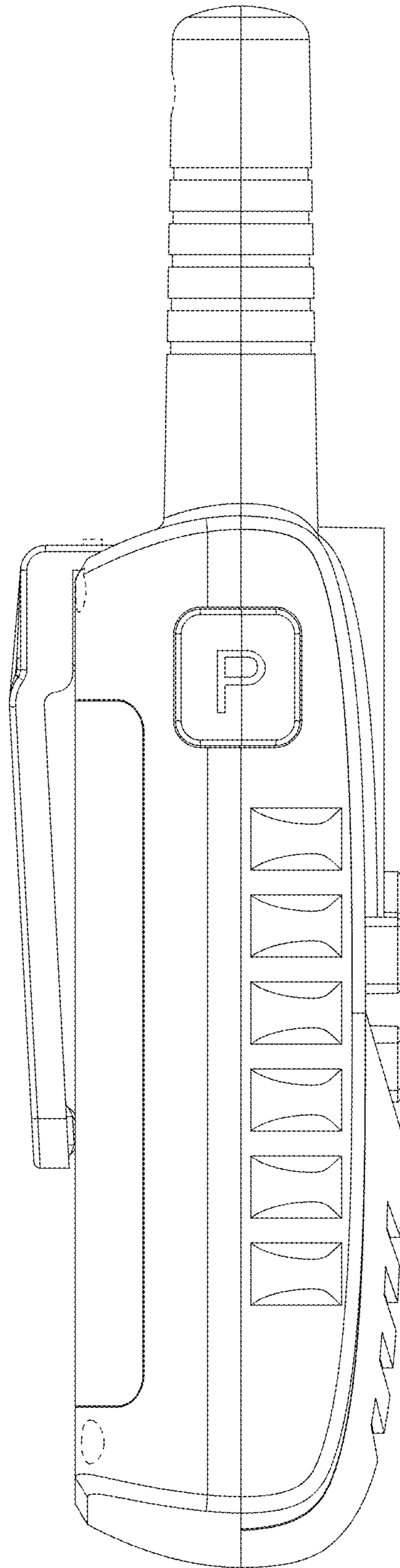


FIG. 3

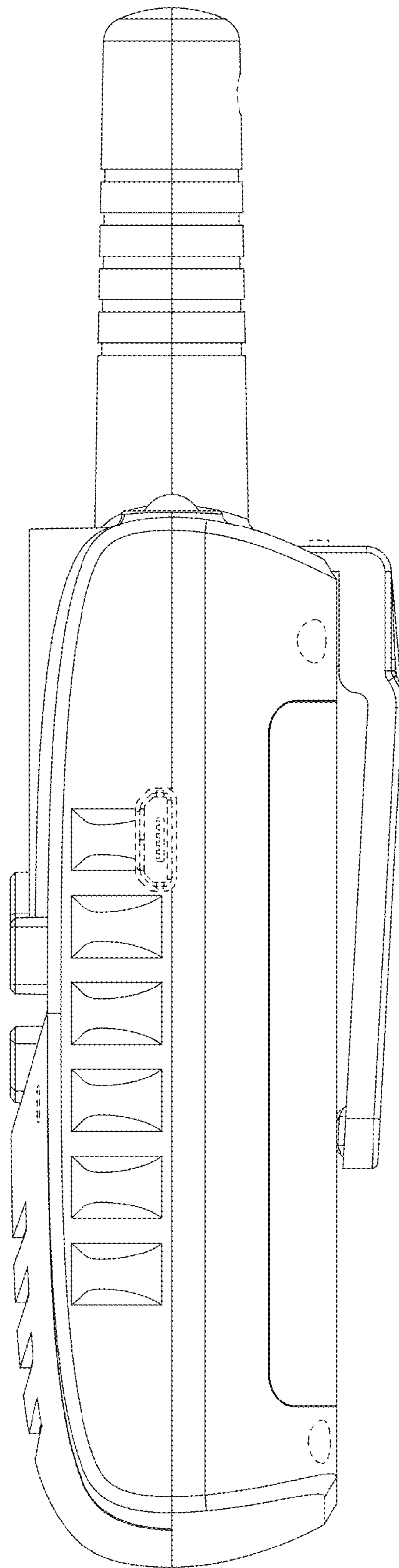


FIG. 4

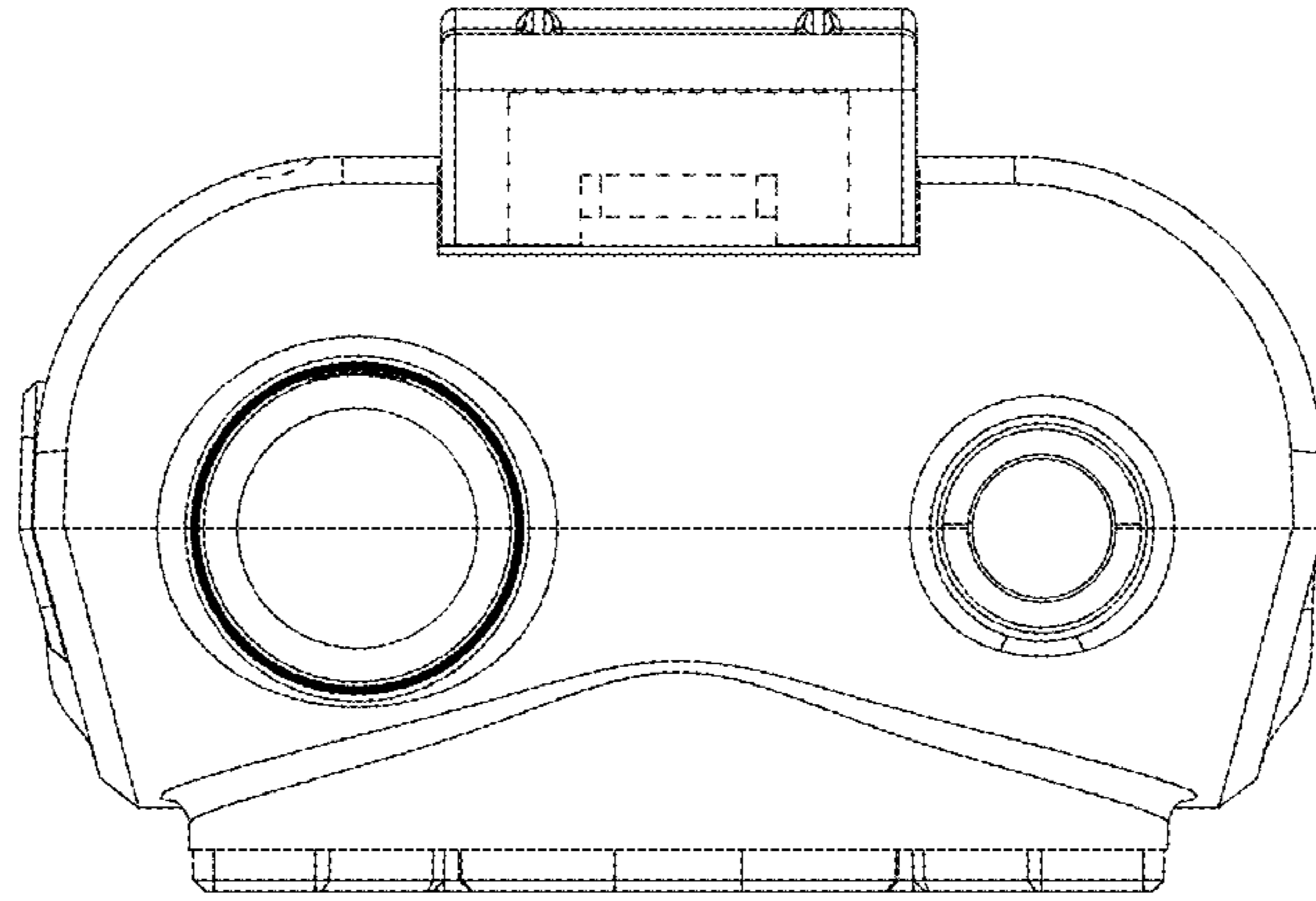


FIG. 5

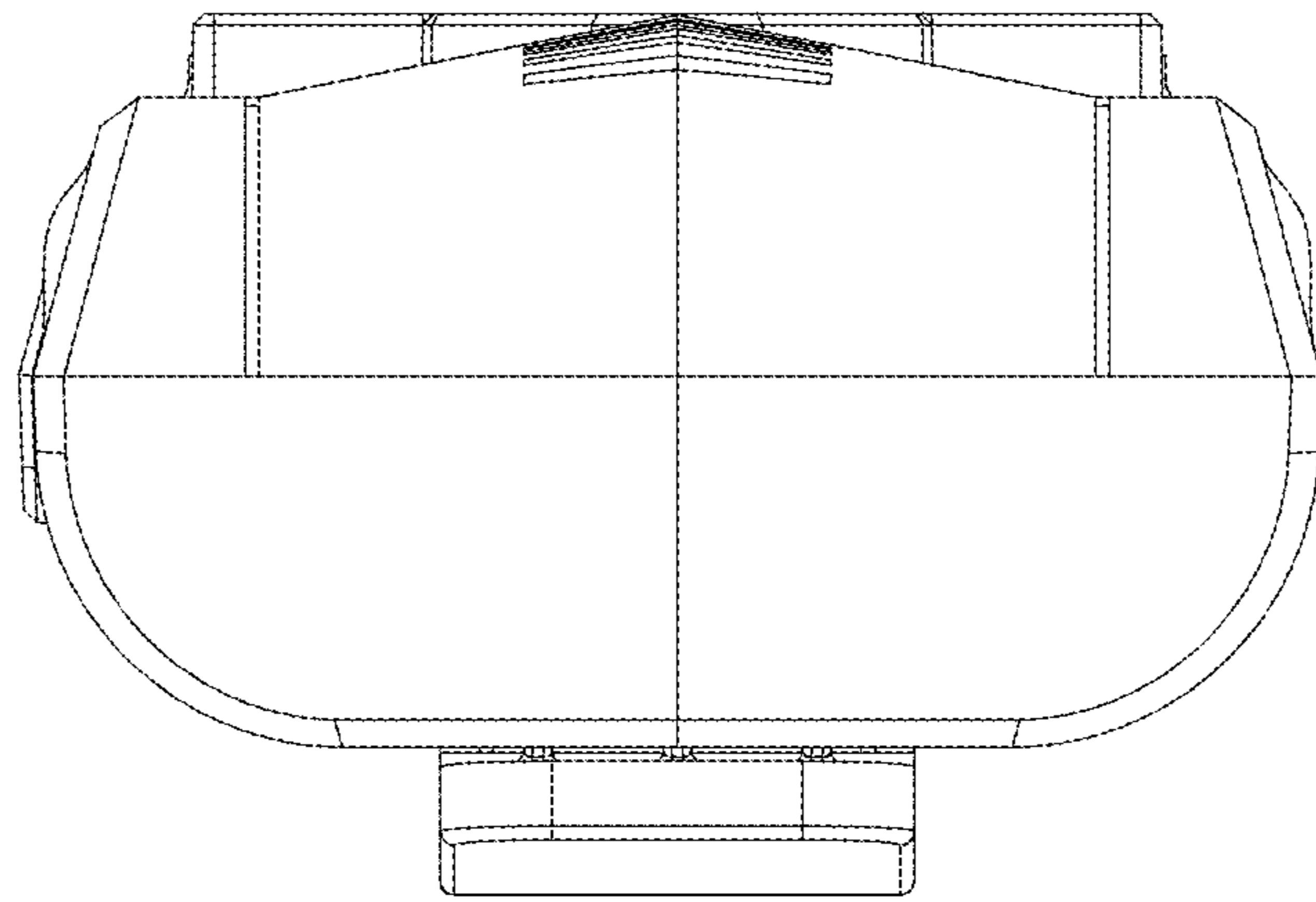


FIG. 6

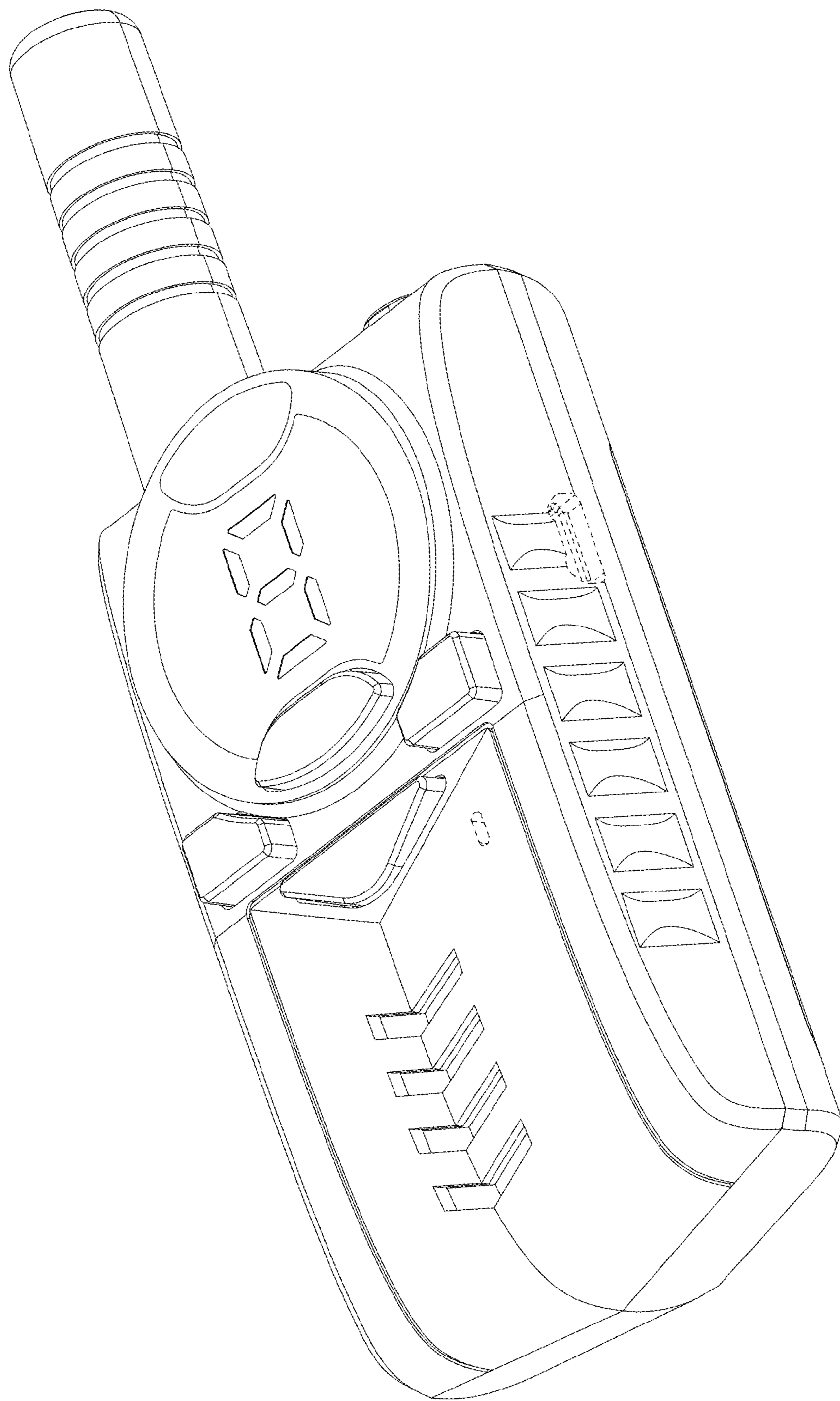


FIG. 7