



US00D936621S

(12) **United States Design Patent**
Ma et al.

(10) **Patent No.:** **US D936,621 S**

(45) **Date of Patent:** **** Nov. 23, 2021**

(54) **SWITCH**

(71) Applicant: **SCHNEIDER ELECTRIC (AUSTRALIA) PTY LTD**, Macquarie Park (AU)

(72) Inventors: **Zhen Ma**, Shenzhen (CN); **Fuhua Shan**, Shenzhen (CN); **Dahai Zhang**, Shenzhen (CN); **Pei Shang**, Shenzhen (CN); **Qilian Du**, Shenzhen (CN)

(73) Assignee: **Schneider Electric (Australia) PTY LTD**, Macquarie Park (AU)

(**) Term: **15 Years**

(21) Appl. No.: **29/771,985**

(22) Filed: **Feb. 26, 2021**

Related U.S. Application Data

(62) Division of application No. 29/658,080, filed on Jul. 27, 2018, now Pat. No. Des. 925,476.

(51) **LOC (13) Cl.** **13-03**

(52) **U.S. Cl.**
USPC **D13/169**

(58) **Field of Classification Search**
USPC D13/162, 173, 174, 169
(Continued)

(56) **References Cited**

U.S. PATENT DOCUMENTS

7,034,236 B2 * 4/2006 Endres H01H 19/635

200/17 R

D534,875 S * 1/2007 Wu D13/169

(Continued)

OTHER PUBLICATIONS

Official Communication received in CA Design Application 185852, dated Jan. 10, 2020, 3 pages.

(Continued)

Primary Examiner — Selina Sikder

(74) *Attorney, Agent, or Firm* — Locke Lord LLP

(57) **CLAIM**

The ornamental design for a switch, as shown and described.

DESCRIPTION

FIG. 1 is a front view showing the OFF status of a switch of a first embodiment;

FIG. 2 is a right side view of the switch in FIG. 1;

FIG. 3 is a left side view of the switch in FIG. 1;

FIG. 4 is a bottom view of the switch in FIG. 1;

FIG. 5 is a top view of the switch in FIG. 1;

FIG. 6 is a perspective view of the switch in FIG. 1;

FIG. 7 is a front view showing the ON status of a switch of a first embodiment;

FIG. 8 is a right side view of the switch in FIG. 7;

FIG. 9 is a left side view of the switch in FIG. 7;

FIG. 10 is a bottom view of the switch in FIG. 7;

FIG. 11 is a top view of the switch in FIG. 7;

FIG. 12 is a perspective view of the switch in FIG. 7;

FIG. 13 is a front view showing the OFF status of a switch of a second embodiment;

FIG. 14 is a right side view of the switch in FIG. 13;

FIG. 15 is a left side view of the switch in FIG. 13;

FIG. 16 is a bottom view of the switch in FIG. 13;

FIG. 17 is a top view of the switch in FIG. 13;

FIG. 18 is a perspective view of the switch in FIG. 13;

FIG. 19 is a front view showing the ON status of a switch of a second embodiment.

FIG. 20 is a right side view of the switch in FIG. 19;

FIG. 21 is a left side view of the switch in FIG. 19;

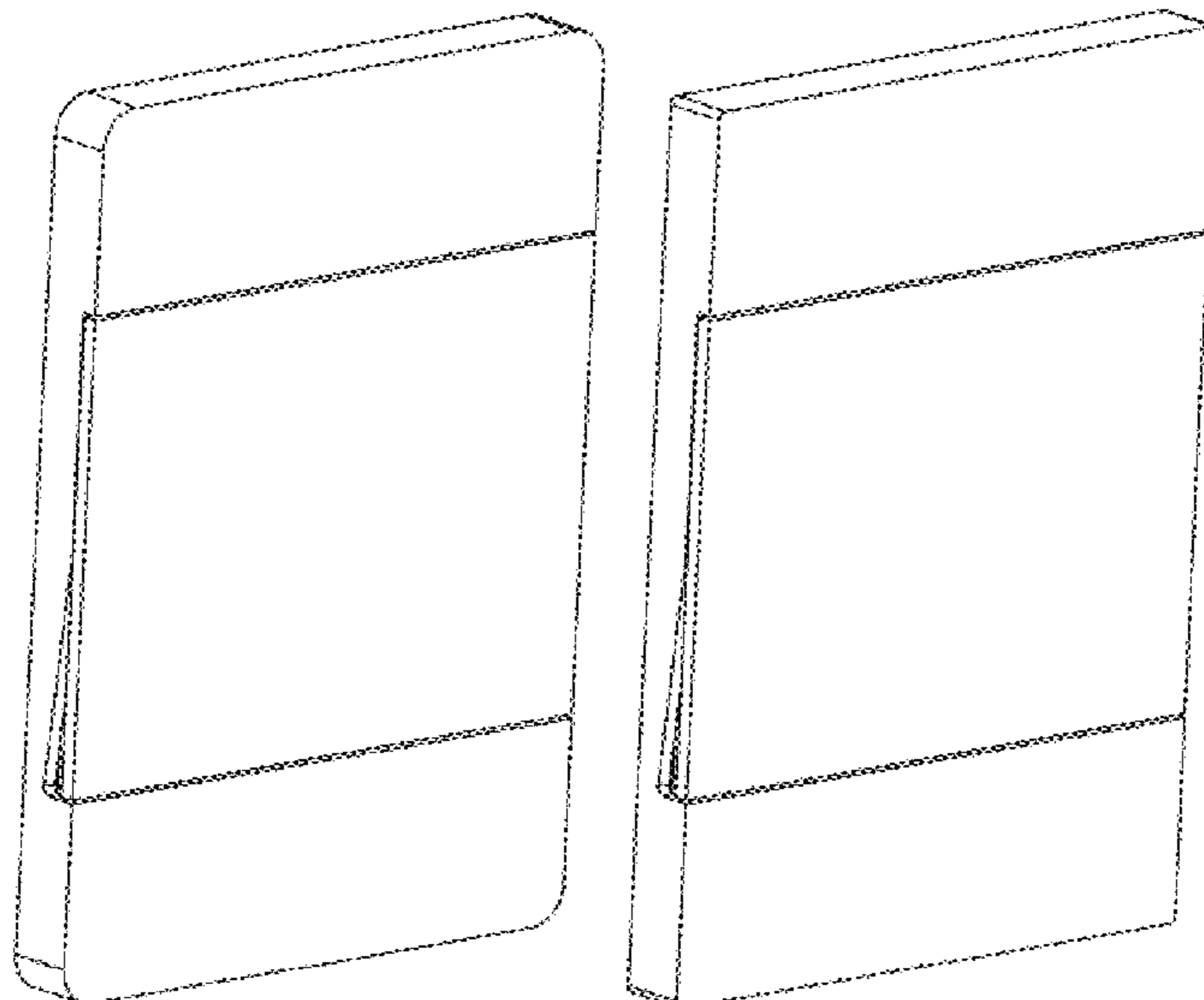
FIG. 22 is a bottom view of the switch in FIG. 19;

FIG. 23 is a top view of the switch in FIG. 19; and,

FIG. 24 is a perspective view of the switch in FIG. 19.

The rear views of the embodiments are omitted since they are not visible in use.

1 Claim, 16 Drawing Sheets



(58) **Field of Classification Search**

CPC .. H01H 9/02; H01H 9/16; H01H 9/18; H01H 9/181; H01H 9/182; H01H 13/023; H01H 13/04; H01H 13/06; H01H 2009/187; H01H 23/02; H01H 23/025; H01H 23/04; H01H 23/08; H01H 23/12; H01H 23/14; H01H 23/43; H01H 23/145; H01H 23/164; H05B 39/02; H05B 39/04; H05B 39/085; H05B 39/086; H05B 39/088

See application file for complete search history.

(56) **References Cited**

U.S. PATENT DOCUMENTS

D570,790 S * 6/2008 Egea Soler D13/162
 D576,566 S * 9/2008 Wu D13/169
 7,482,534 B2 * 1/2009 Ye H01H 3/0213
 174/17 VA
 D609,650 S * 2/2010 Chou D13/169
 D830,976 S * 10/2018 Liao D13/169
 D830,977 S * 10/2018 Liao D13/169

D851,608 S * 6/2019 Zheng D13/169
 D859,328 S * 9/2019 Gutierrez D13/169
 D863,236 S * 10/2019 Plaja Miro D13/169
 D883,237 S * 5/2020 Plaja Miro D13/169
 10,770,244 B2 * 9/2020 Shan H01H 13/58
 D915,306 S * 4/2021 Fu D13/158
 2011/0259720 A1 * 10/2011 Wu H01H 23/025
 200/317
 2013/0301224 A1 * 11/2013 Chu H05K 5/0017
 361/728
 2016/0020047 A1 * 1/2016 Hill G06Q 30/0283
 340/12.5
 2018/0160502 A1 * 6/2018 Casey H05B 45/20
 2019/0226670 A1 * 7/2019 Riqu Rebull H01H 23/24
 2020/0043683 A1 * 2/2020 Zhang H01H 23/08
 2020/0126739 A1 * 4/2020 Shan H01H 23/04

OTHER PUBLICATIONS

Official Communication received in MX Design Application MX/f/2019/000148, dated Aug. 4, 2020, 7 pages.

* cited by examiner

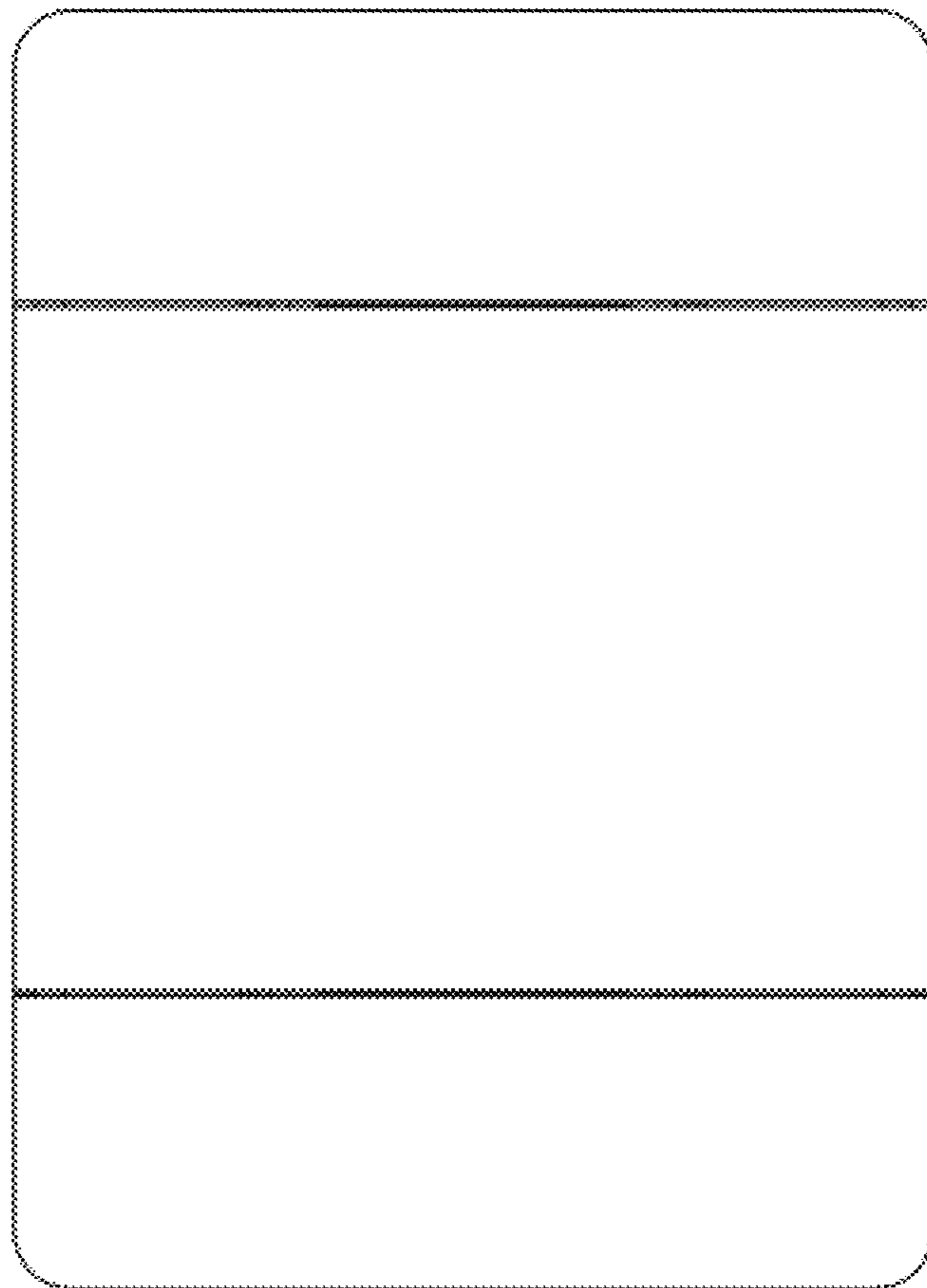


Fig. 1



Fig. 2



Fig. 3



Fig. 4



Fig. 5

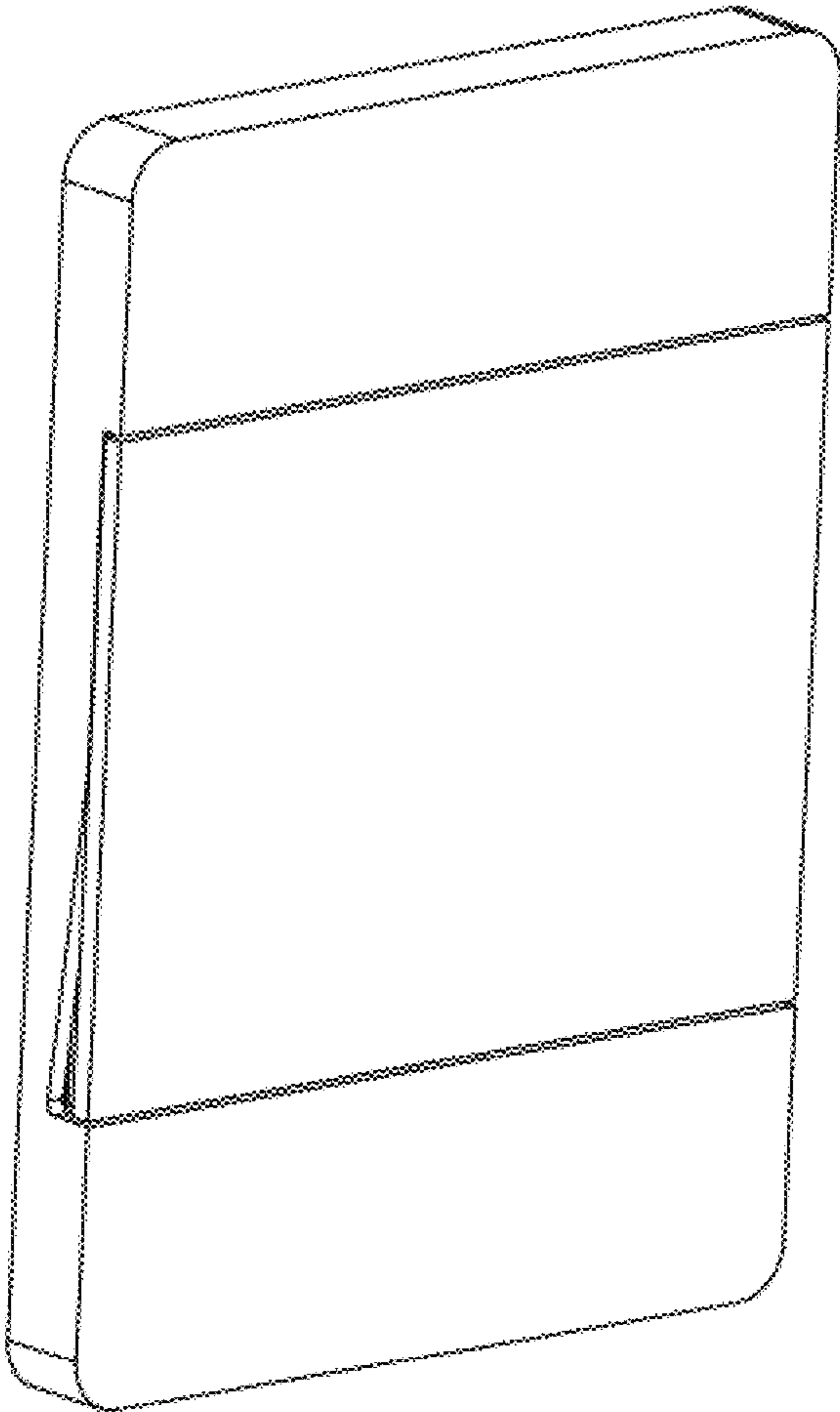


Fig. 6

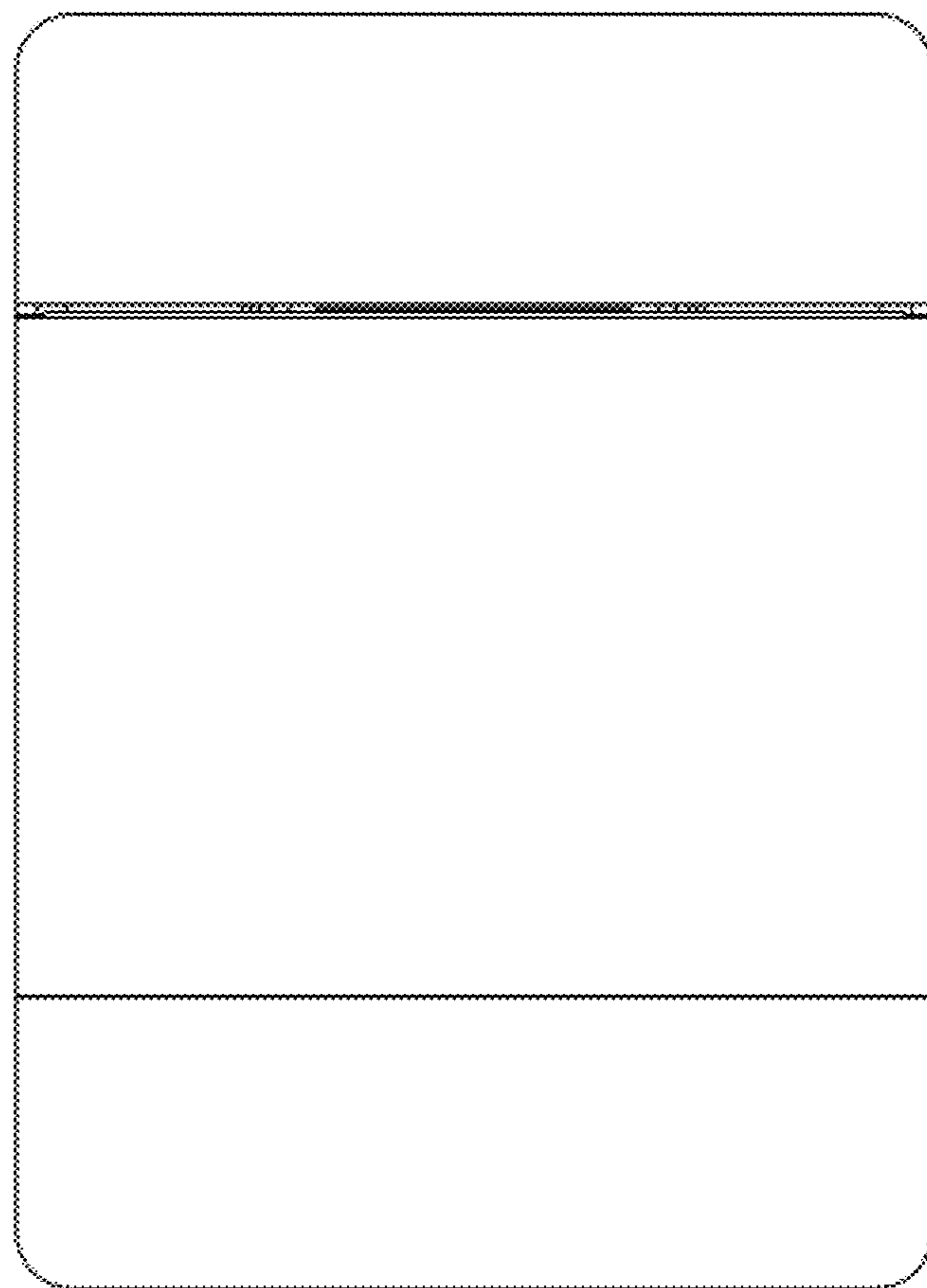


Fig. 7

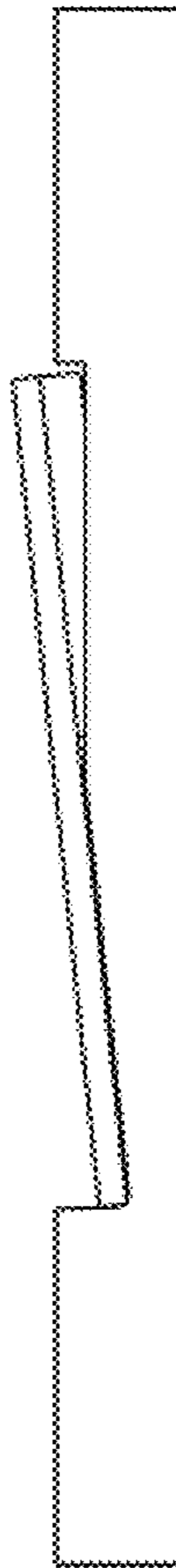


Fig. 8

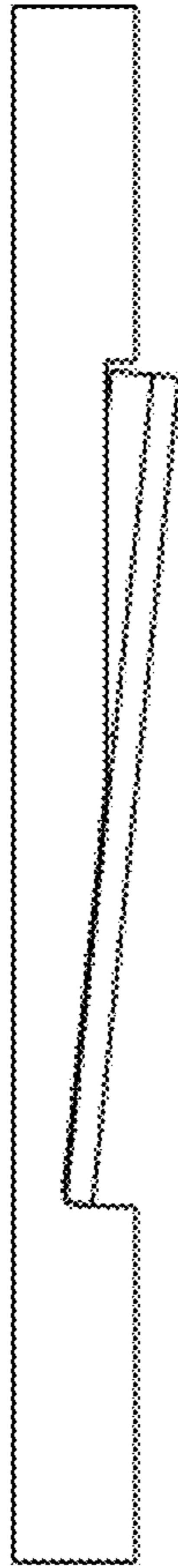


Fig. 9

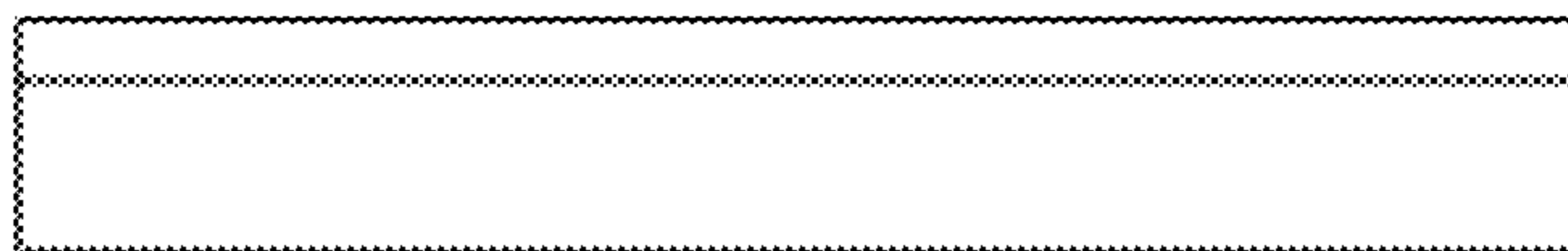


Fig. 10

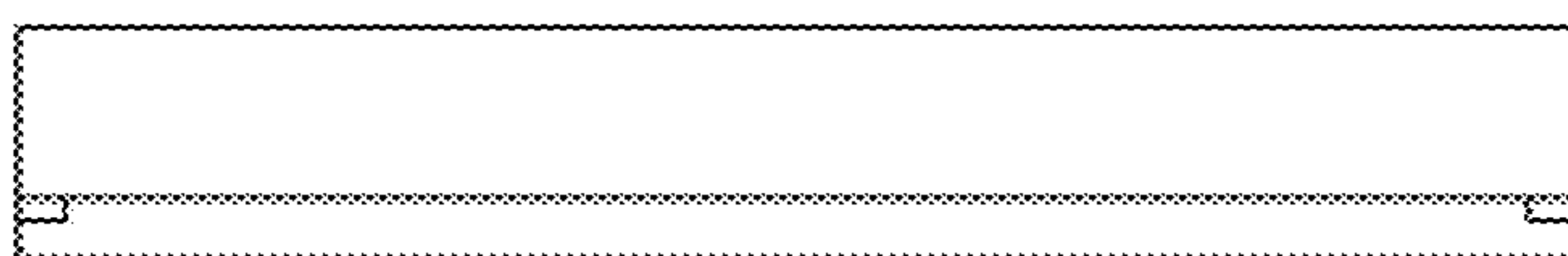


Fig. 11

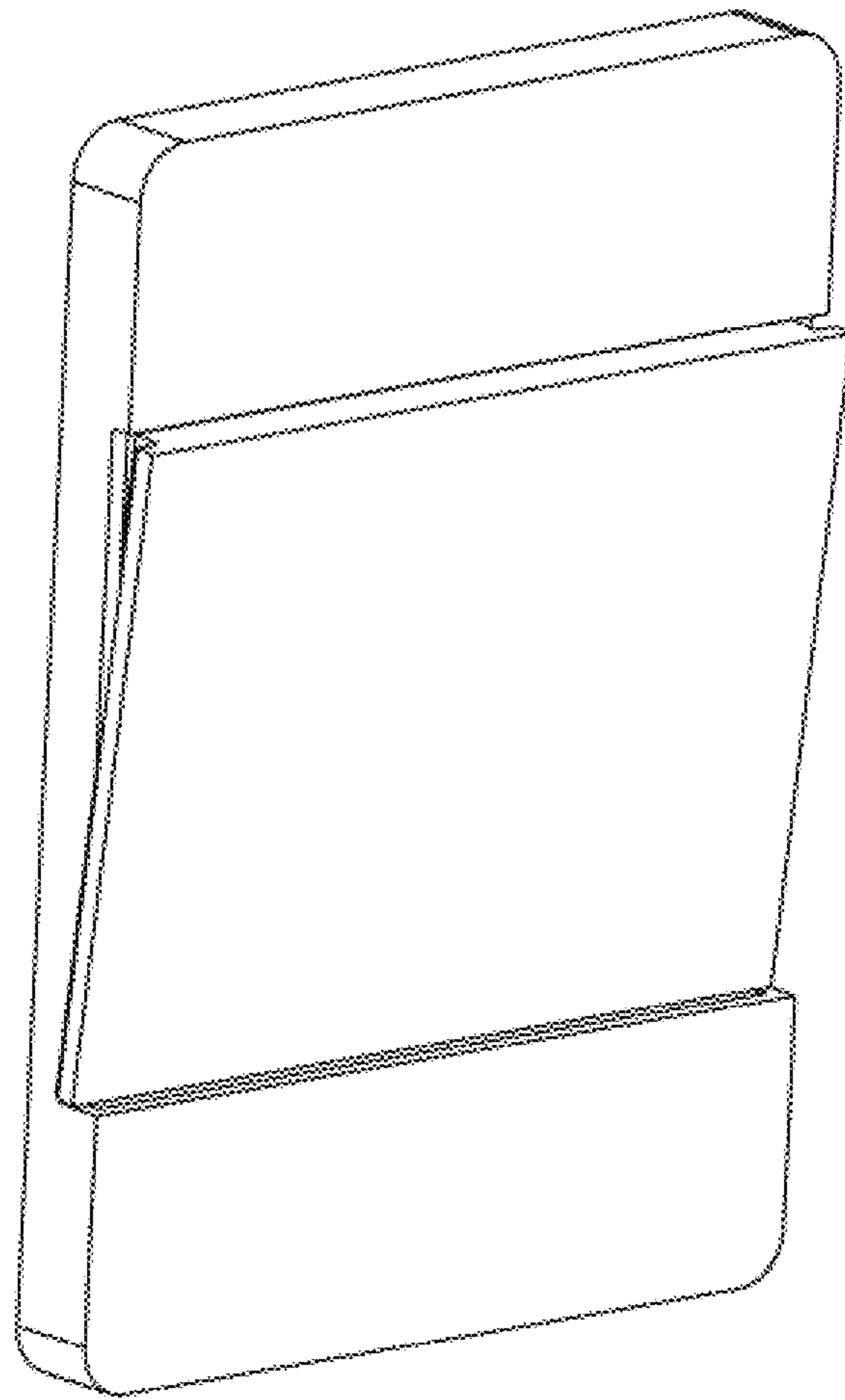


Fig. 12

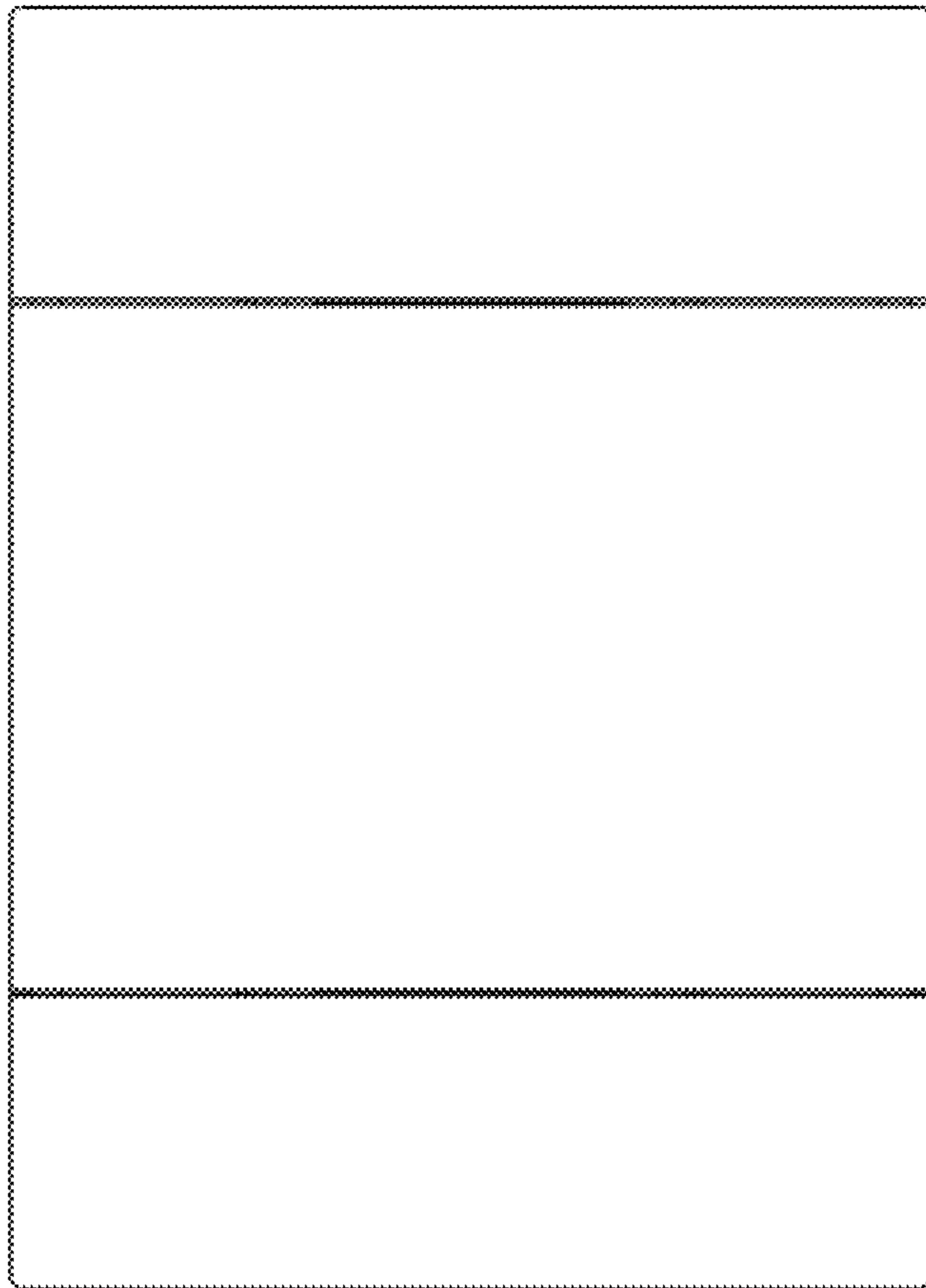


Fig. 13

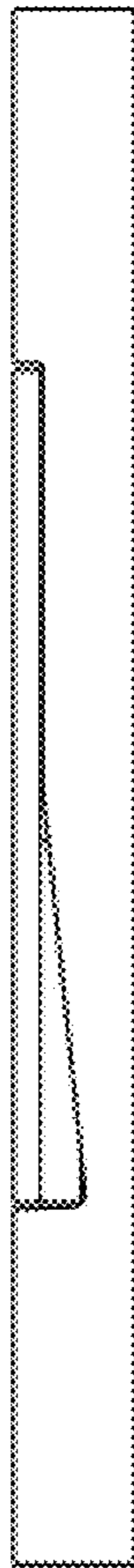


Fig. 14



Fig. 15



Fig. 16



Fig. 17

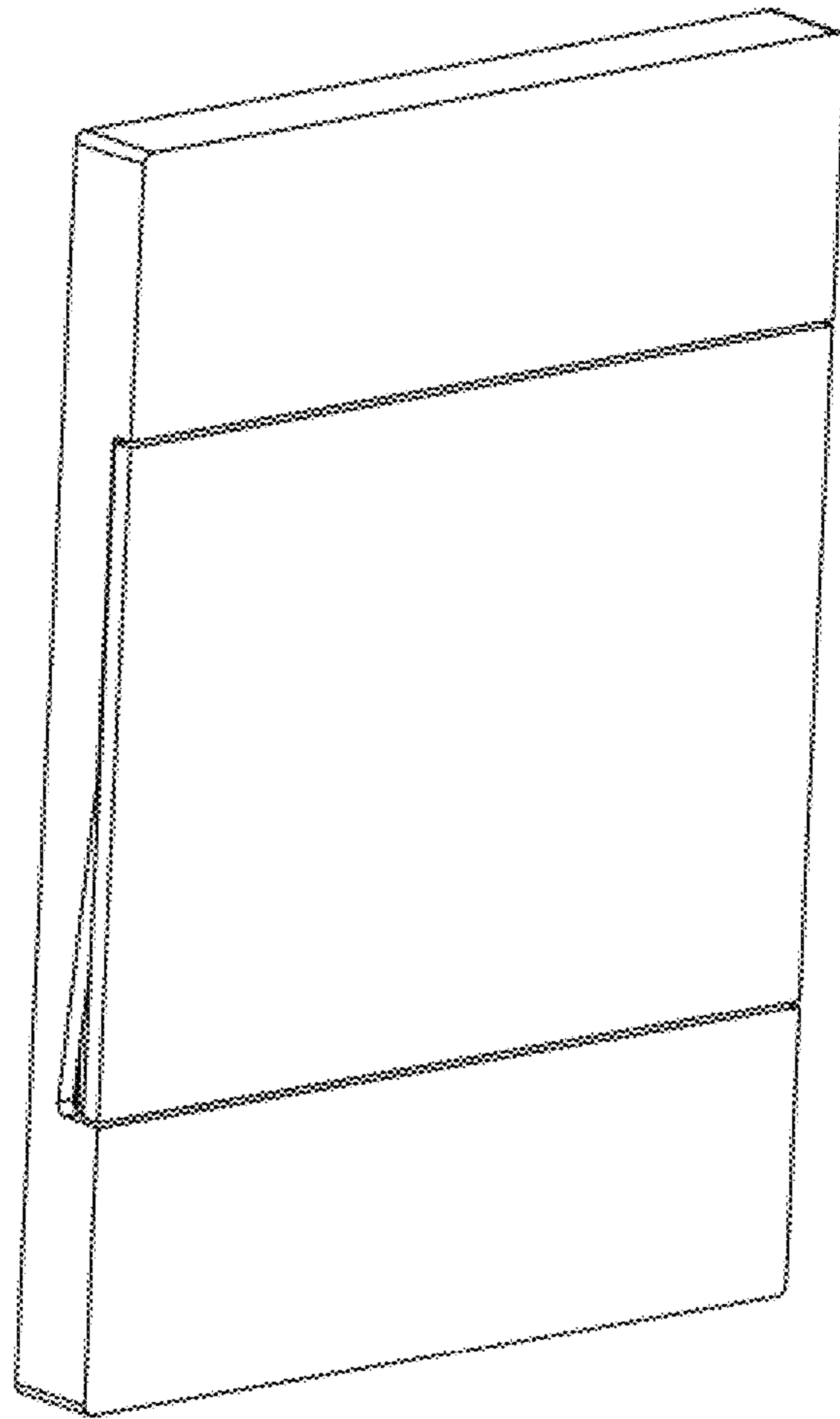


Fig. 18

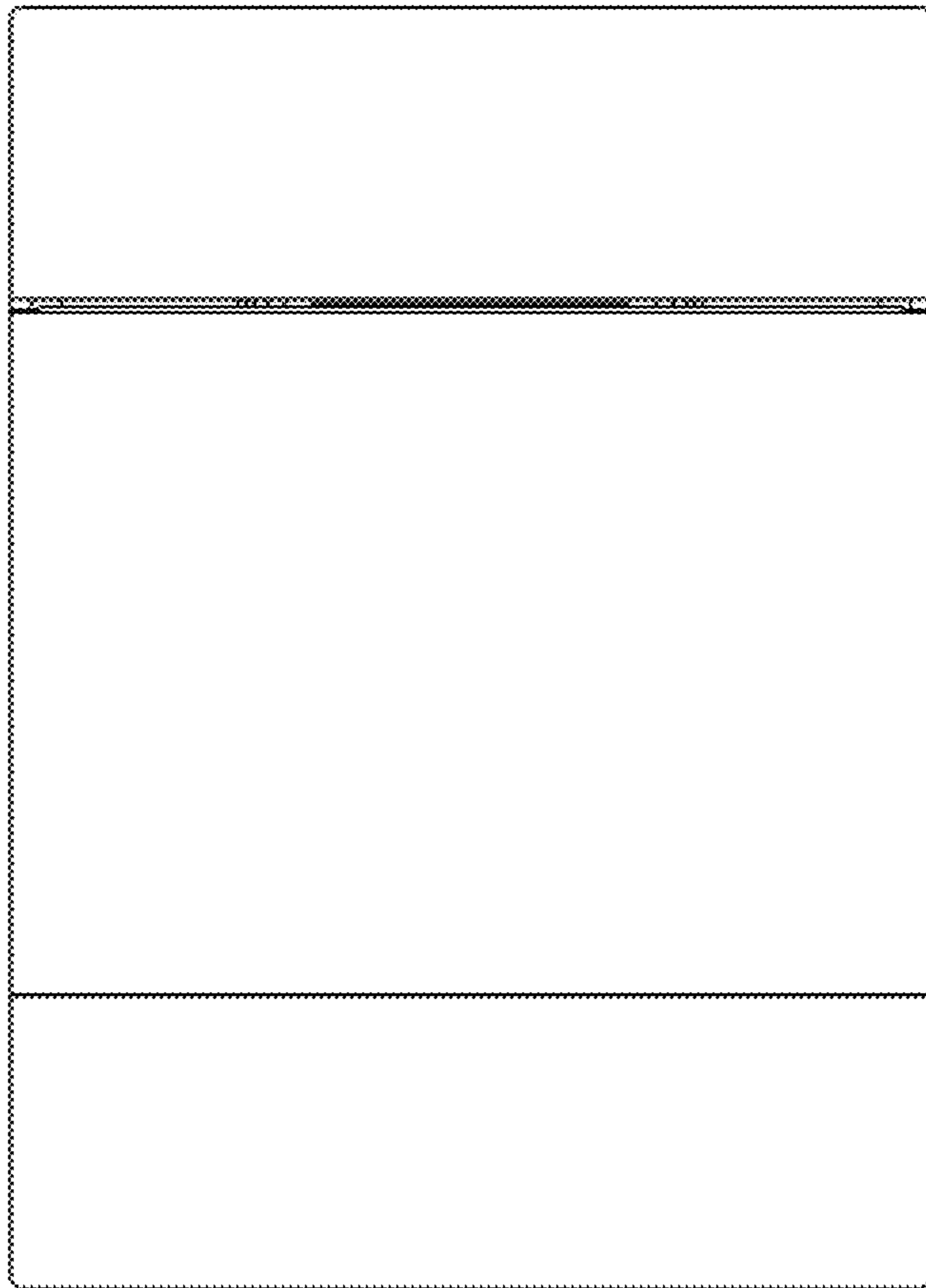


Fig. 19

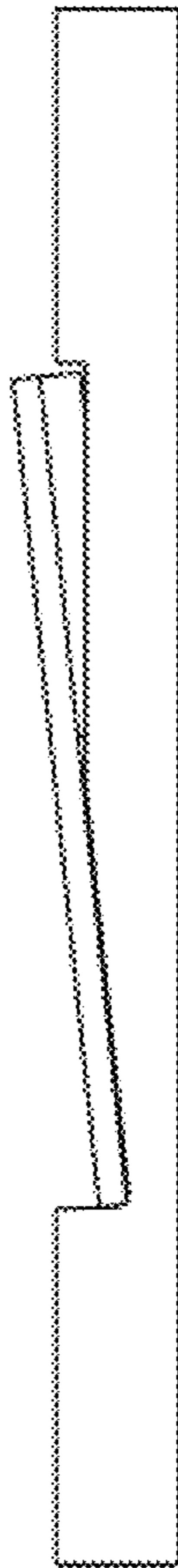


Fig. 20

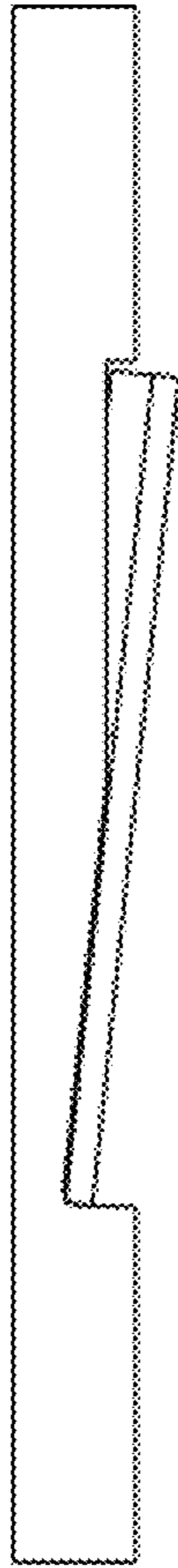


Fig. 21

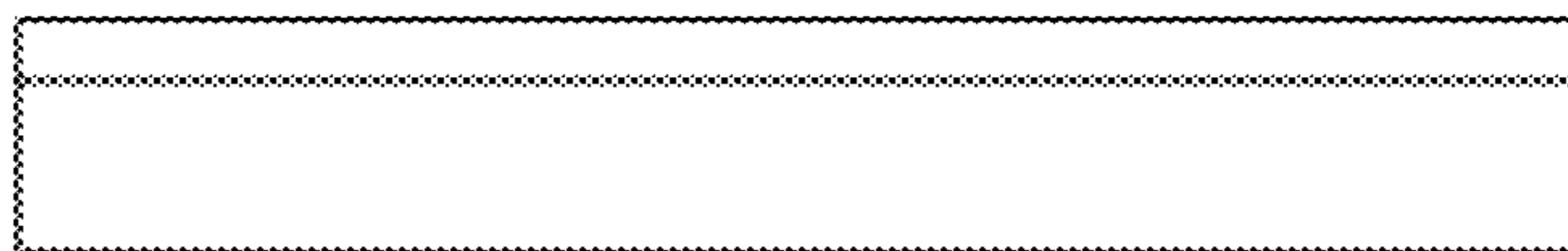


Fig. 22

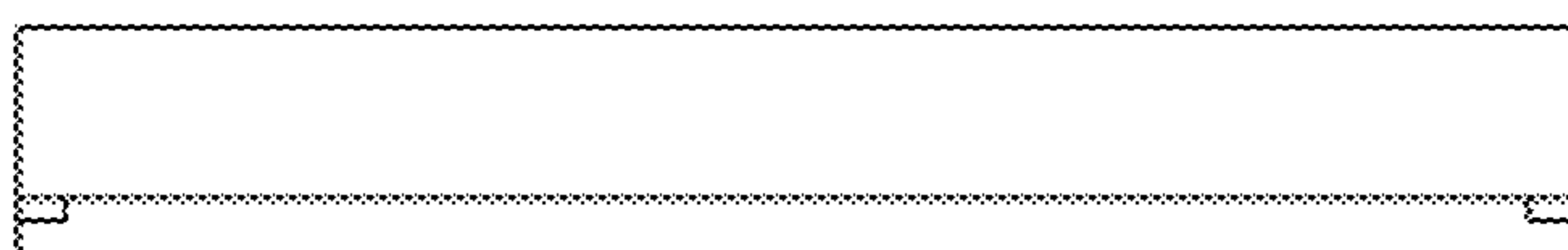


Fig. 23

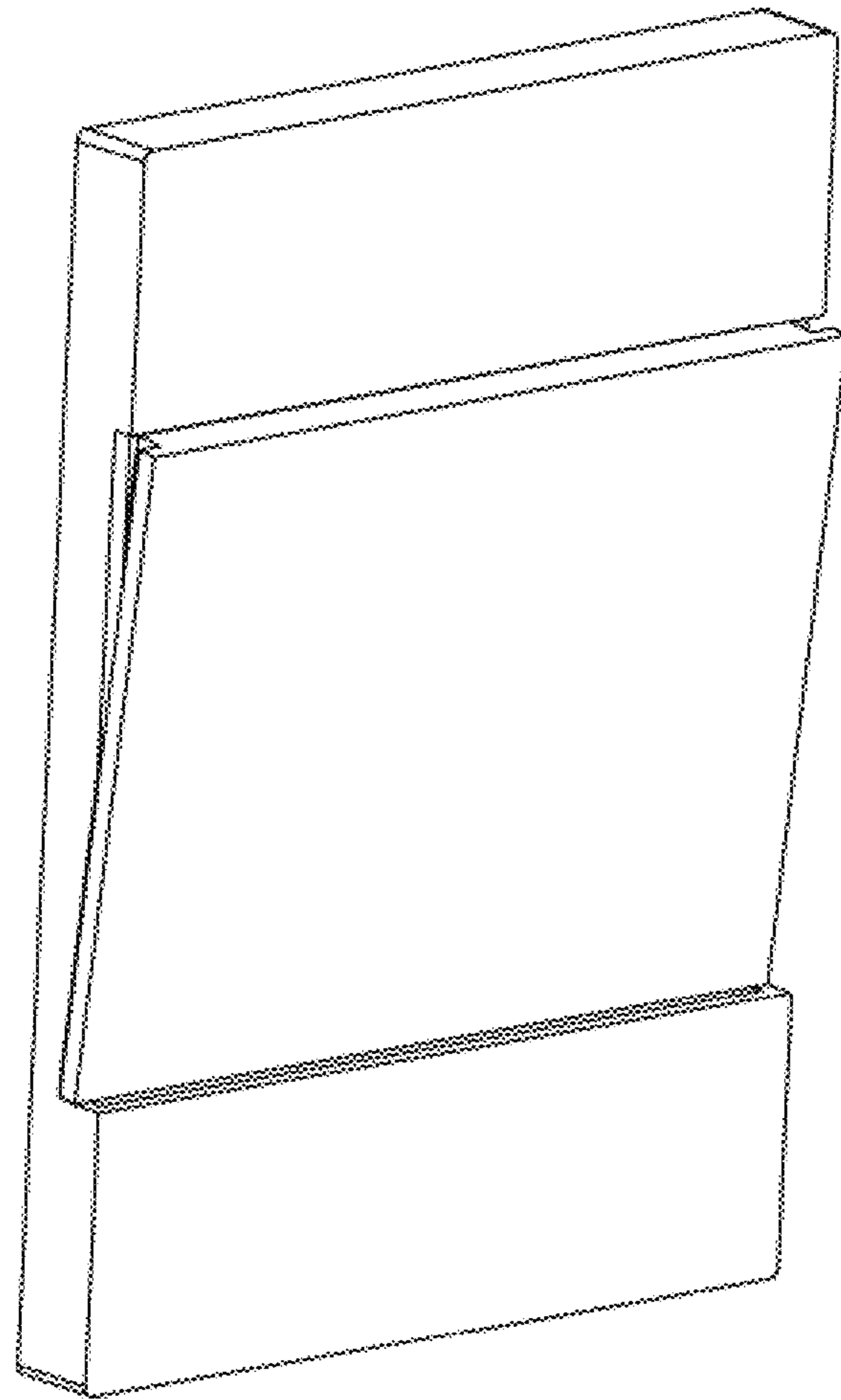


Fig. 24