

US00D936617S

(12) **United States Design Patent** (10) **Patent No.:** **US D936,617 S**
Altonen et al. (45) **Date of Patent:** **** Nov. 23, 2021**

(54) **REMOTE CONTROL**

(71) Applicant: **Lutron Technology Company LLC**,
Coopersburg, PA (US)

(72) Inventors: **Gregory Altonen**, Easton, PA (US);
Chris Dimberg, Easton, PA (US);
Jason C. Killo, Emmaus, PA (US);
Matthew Philip McDonald,
Phoenixville, PA (US); **Daniel L.**
Twaddell, Allentown, PA (US)

(73) Assignee: **Lutron Technology Company LLC**,
Coopersburg, PA (US)

(**) Term: **15 Years**

(21) Appl. No.: **29/771,303**

(22) Filed: **Feb. 22, 2021**

Related U.S. Application Data

(63) Continuation of application No. 29/640,715, filed on
Mar. 16, 2018, now Pat. No. Des. 913,254.

(51) **LOC (13) Cl.** **13-03**

(52) **U.S. Cl.**
USPC **D13/168; D13/173**

(58) **Field of Classification Search**
USPC D13/162, 164, 168, 169, 171, 173, 174,
D13/177; D14/218
CPC H01H 9/02; H01H 9/0271; H01H 9/16;
H01H 9/18; H01H 9/161; H01H 9/181;
H01H 9/182; H01H 13/04; H01H 13/14;
H01H 13/20; H01H 13/30; H01H 19/635;
H01H 23/00; H01H 23/02; H01H 23/025;
H01H 23/04; H01H 23/145; H01H
23/148; H01H 23/205; H01H 23/30;
H05B 37/02; H05B 37/0254; H05B
37/0272; H05B

(Continued)

(56) **References Cited**

U.S. PATENT DOCUMENTS

D315,145 S 3/1991 Pearlman et al.
5,696,350 A 12/1997 Anker

(Continued)

FOREIGN PATENT DOCUMENTS

EM 002144899-0001 2/2013
EM 002144899-0002 2/2013

(Continued)

OTHER PUBLICATIONS

iDevices LLC, The iDevices Advantage, specification sheet, avail-
able at least as early as 2017 (21 pages).

(Continued)

Primary Examiner — Selina Sikder

(74) *Attorney, Agent, or Firm* — Saidman DesignLaw
Group, LLC

(57) **CLAIM**

The ornamental design for a remote control, as shown and
described.

DESCRIPTION

FIG. 1 is a front perspective view of a remote control
showing our new design;
FIG. 2 is a front view thereof;
FIG. 3 is a left side view thereof;
FIG. 4 is a right side view thereof;
FIG. 5 is a top view thereof;
FIG. 6 is a bottom view thereof;
FIG. 7 is a front perspective view of a second embodiment
thereof;
FIG. 8 is a front view thereof;
FIG. 9 is a left side view thereof;
FIG. 10 is a right side view thereof;

(Continued)

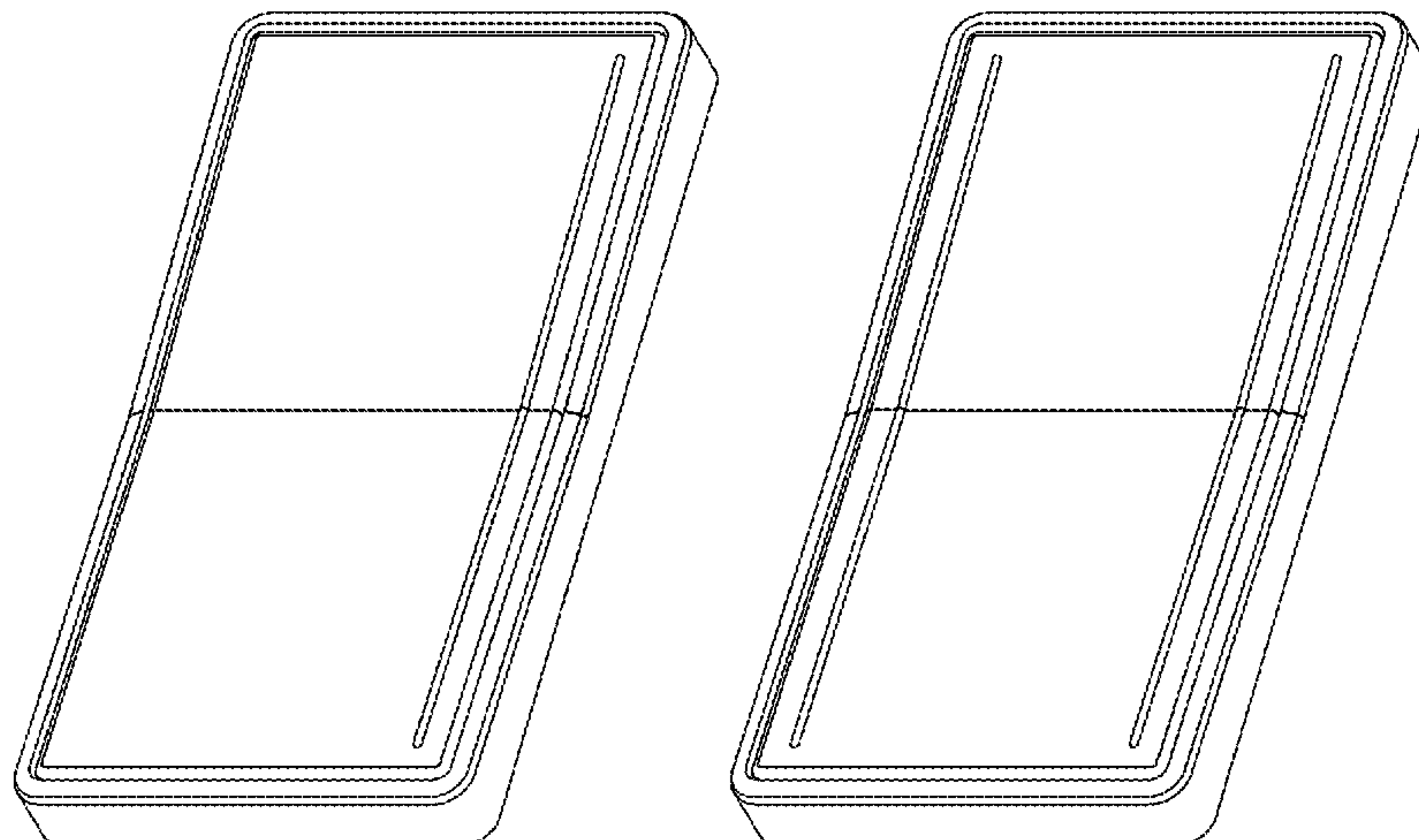


FIG. 11 is a top view thereof; and,
FIG. 12 is a bottom view thereof.

1 Claim, 8 Drawing Sheets

(58) **Field of Classification Search**

CPC 39/02; H05B 39/04; H05B 39/085; H05B
39/086; H05B 39/088

See application file for complete search history.

(56) **References Cited**

U.S. PATENT DOCUMENTS

5,895,888	A	4/1999	Arenas et al.	
6,005,308	A	12/1999	Bryde et al.	
7,049,537	B1 *	5/2006	Shotey	H01H 23/04 200/329
D572,202	S	7/2008	Jacoby et al.	
D583,335	S	12/2008	Ni	
7,667,155	B1	2/2010	Ni et al.	
D649,122	S	11/2011	Jacoby et al.	
D692,398	S	10/2013	Felegy, Jr. et al.	
D694,197	S	11/2013	Felegy, Jr. et al.	
D694,716	S	12/2013	Felegy, Jr. et al.	
D733,075	S	6/2015	Junko et al.	
D740,766	S	10/2015	Falkenberg et al.	
D777,685	S	1/2017	Tannous et al.	
D787,451	S	5/2017	Tress et al.	
D797,061	S	9/2017	Lacey	
9,818,559	B2 *	11/2017	Tress	H01H 9/0235
9,838,008	B2	12/2017	Lark, Jr. et al.	
D821,985	S	7/2018	Zheng	
D830,977	S	10/2018	Liao et al.	
10,109,181	B2	10/2018	Dimberg et al.	

10,141,144	B2	11/2018	Zhuang et al.	
D865,682	S *	11/2019	Dimberg	H01H 9/0235 D13/168
D892,065	S	8/2020	Dimberg et al.	
D913,254	S *	3/2021	Altonen	D13/169
2010/0214756	A1	8/2010	Feldstein	
2012/0292174	A1	11/2012	Mah et al.	
2017/0278383	A1	9/2017	Dimberg et al.	
2017/0278647	A1	9/2017	Dimberg et al.	
2017/0278652	A1	9/2017	Dimberg et al.	
2017/0280533	A1	9/2017	Dimberg et al.	
2017/0352506	A1	12/2017	Dimberg	
2020/0020490	A1	1/2020	Dimberg et al.	
2020/0037422	A1	1/2020	Shivell	
2020/0144007	A1 *	5/2020	Shivell	H02G 3/14
2021/0013706	A1 *	1/2021	Richter	H02G 3/14

FOREIGN PATENT DOCUMENTS

EM	002144899-0003	2/2013
EM	002144899-0004	2/2013
EM	002144899-0005	2/2013
EM	002144899-0006	2/2013
EM	002144899-0007	2/2013
EM	002144899-0008	2/2013
EM	002144899-0009	2/2013
EM	002144899-0010	2/2013
EM	002144899-0011	2/2013
EM	002144899-0012	2/2013
EM	002144899-0013	2/2013
EM	002144899-0014	2/2013

OTHER PUBLICATIONS

U.S. Appl. No. 29/685,060, filed Mar. 26, 2019 (unpublished).
U.S. Appl. No. 29/740,765, filed Jul. 7, 2020 (unpublished).

* cited by examiner

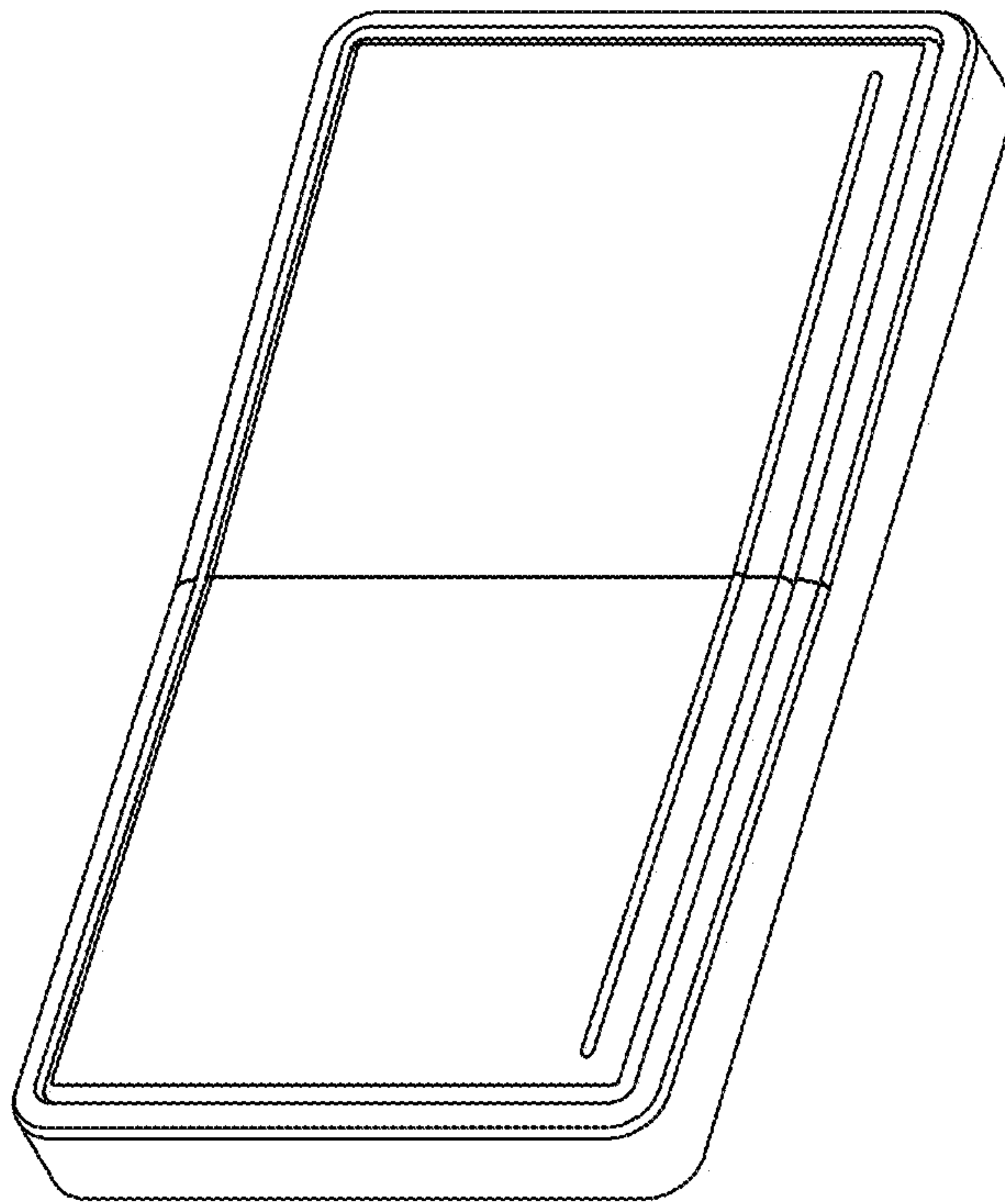


FIG. 1

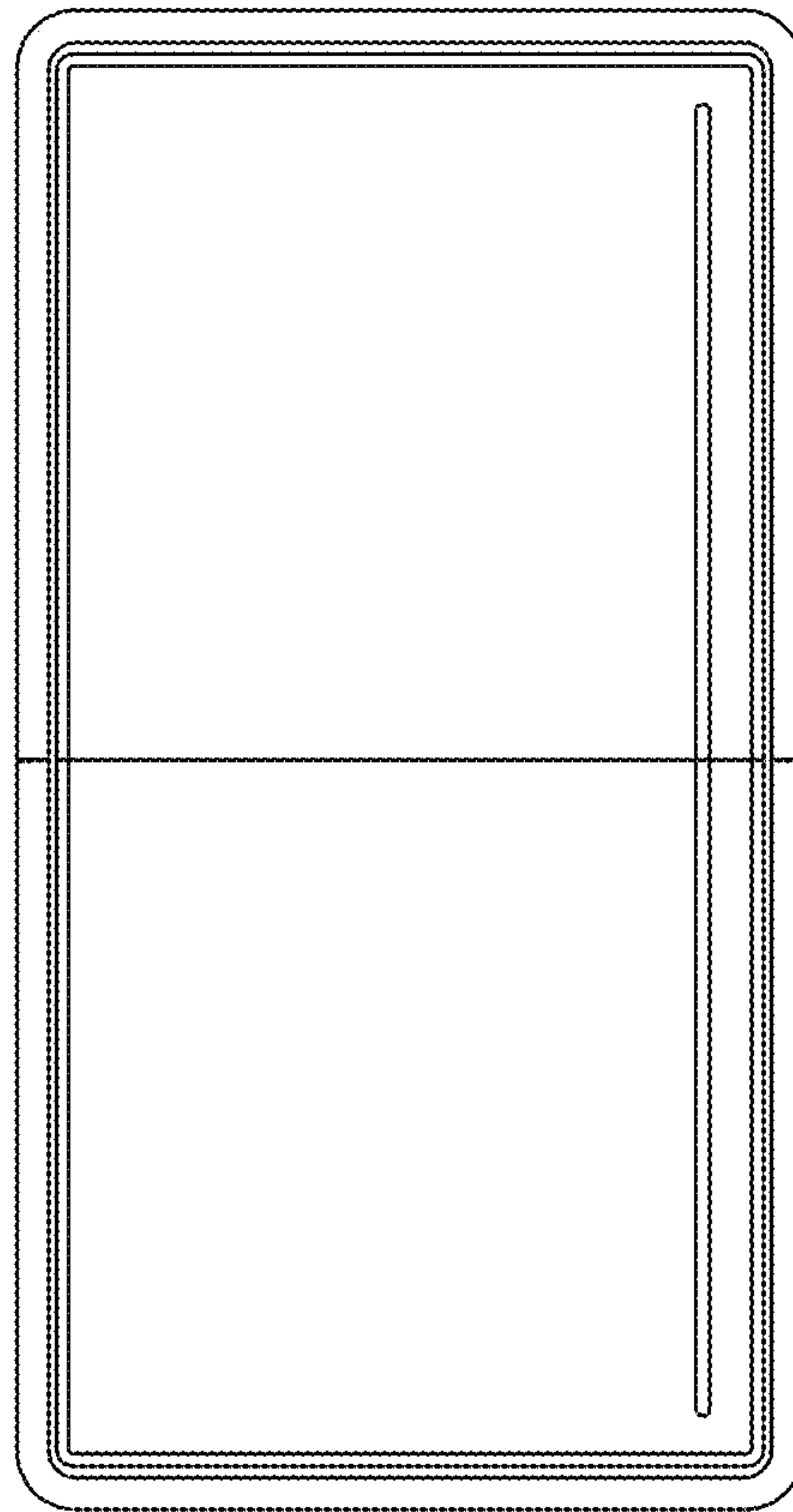


FIG. 2

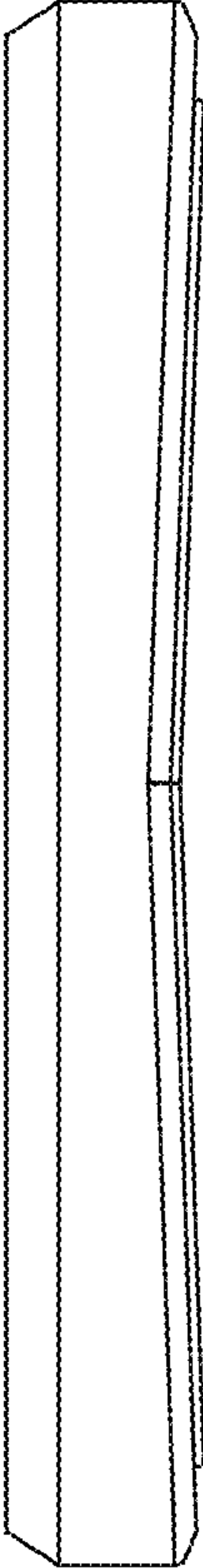


FIG. 3

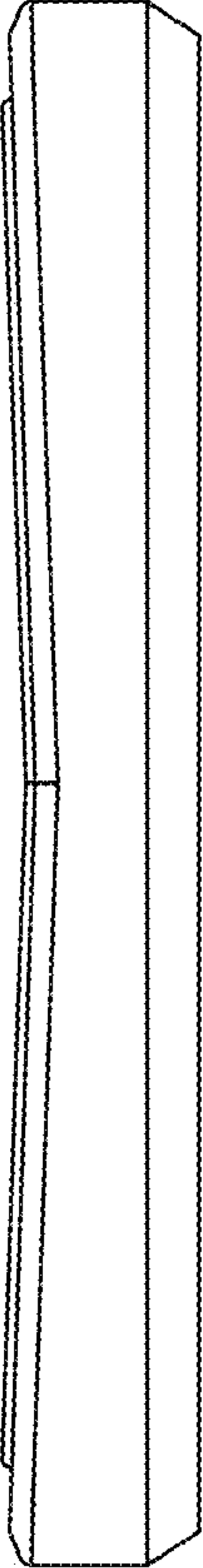


FIG. 4

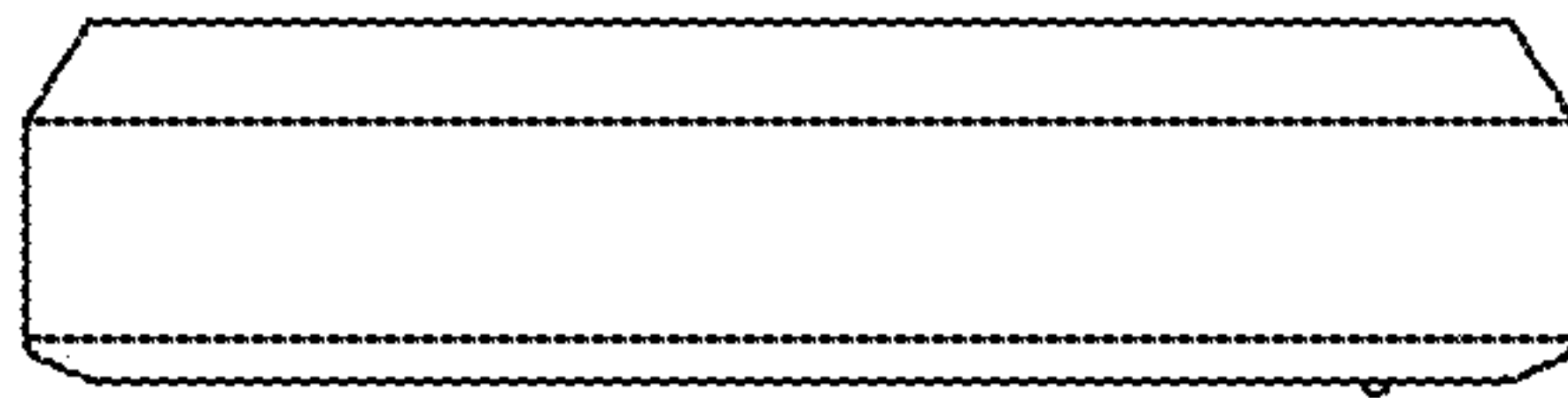


FIG. 5

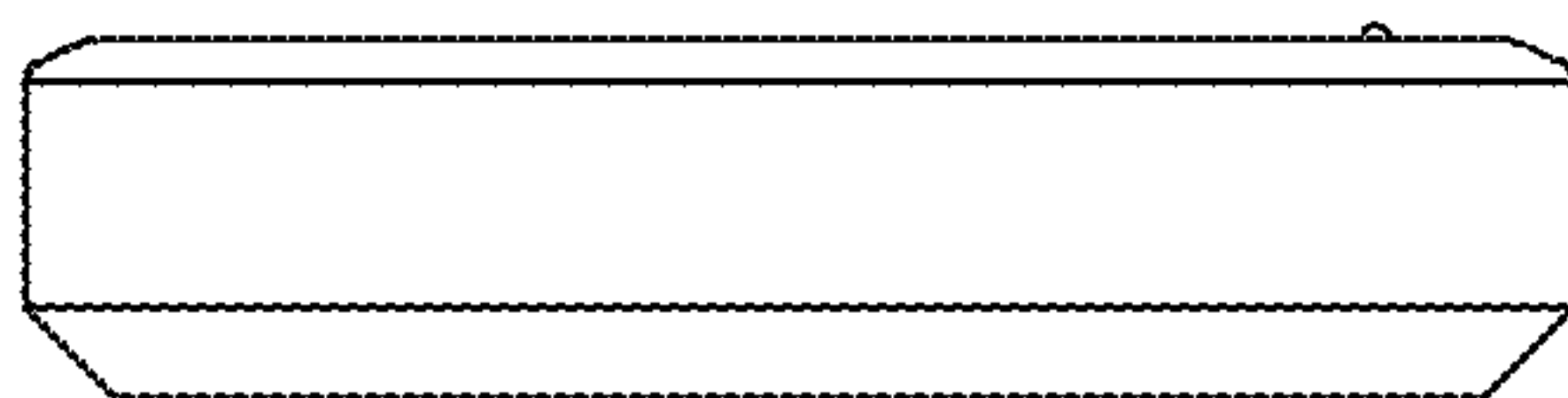


FIG. 6

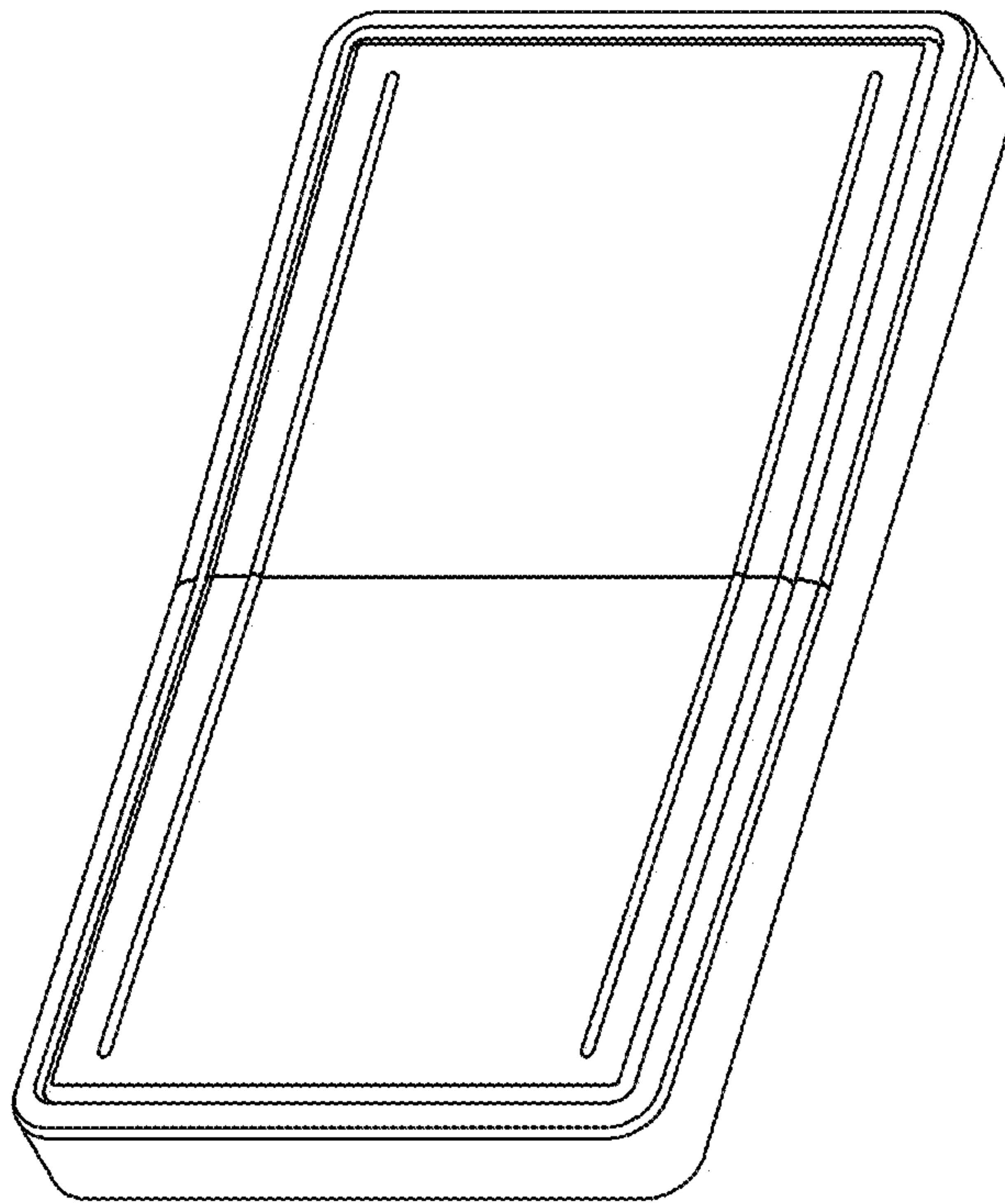


FIG. 7

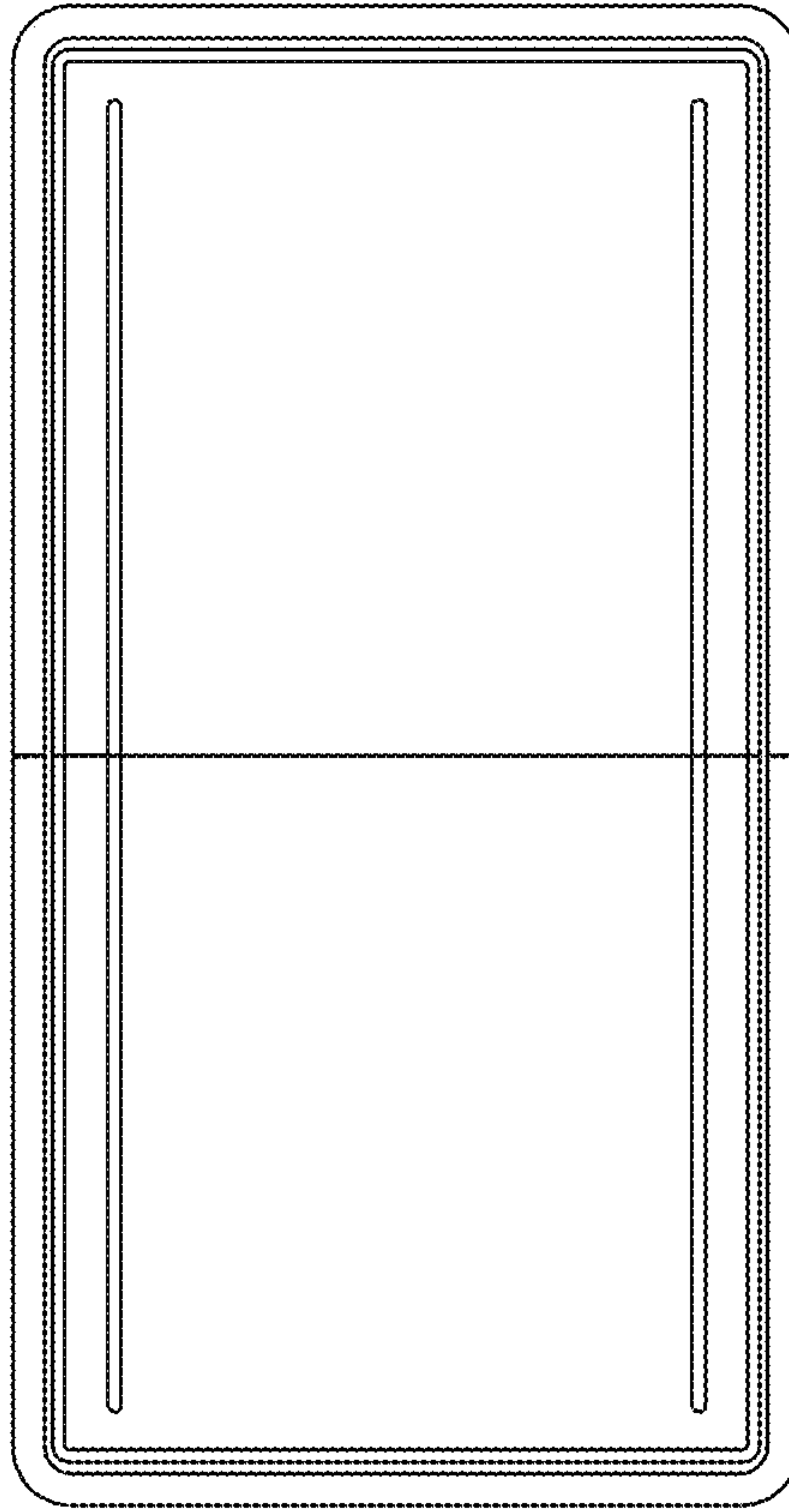


FIG. 8

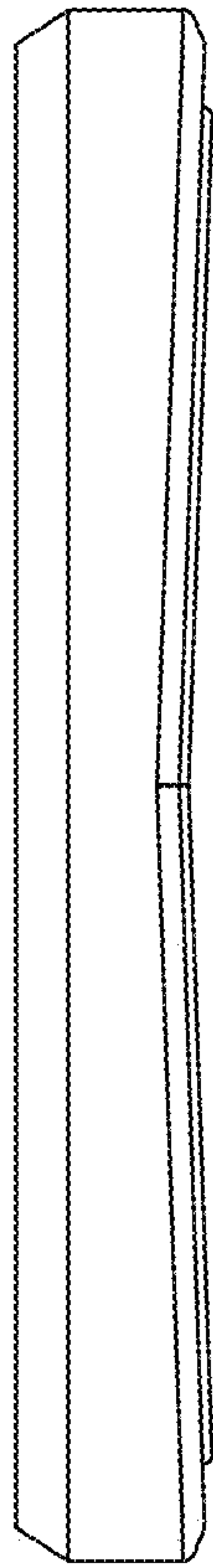


FIG. 9

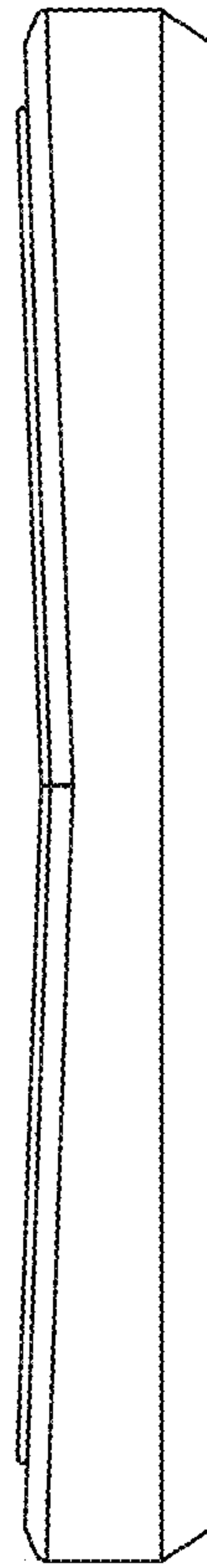


FIG. 10

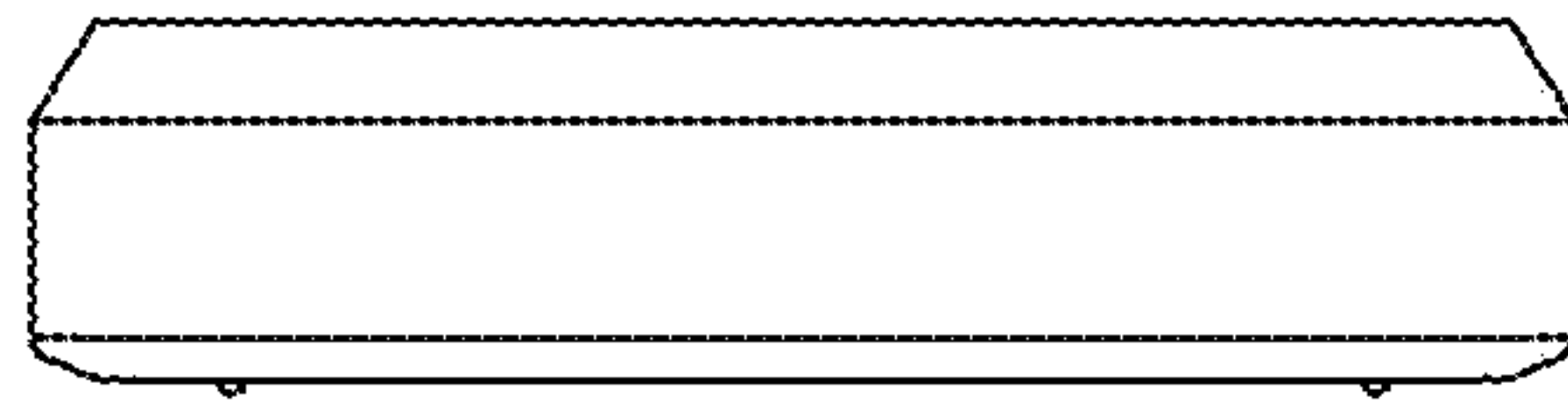


FIG. 11

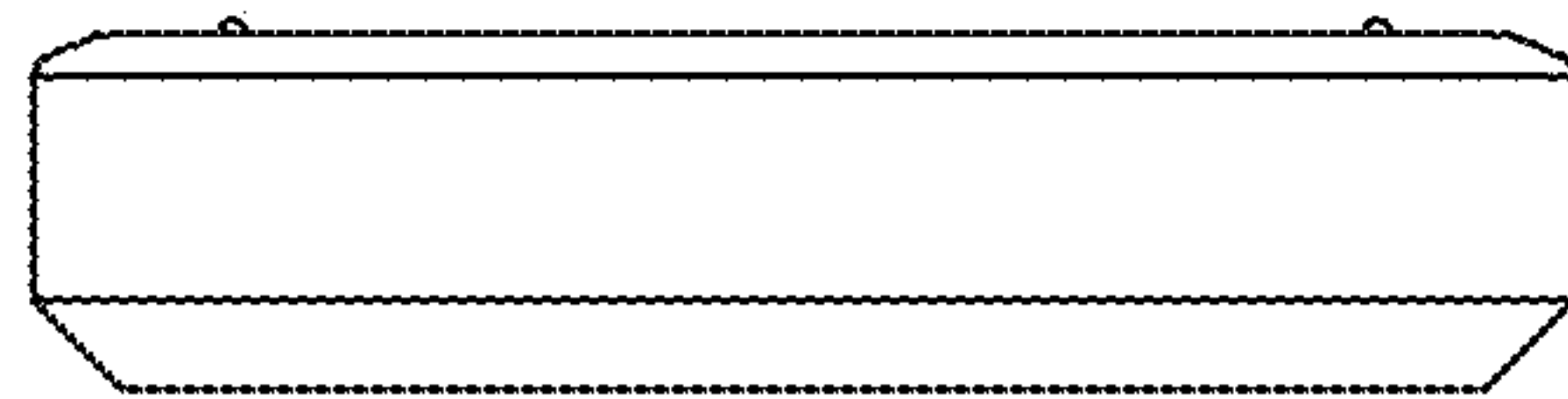


FIG. 12