



US00D936615S

(12) **United States Design Patent** (10) **Patent No.:** **US D936,615 S**
Wang (45) **Date of Patent:** **** Nov. 23, 2021**

(54) **LIGHT DIMMER SWITCH**
(71) Applicants: **Hangzhou Honyar Electrical Co., Ltd**,
Zhejiang (CN); **Crestin LLC**, Milpitas,
CA (US)
(72) Inventor: **Micheng Wang**, Zhejiang (CN)
(73) Assignees: **Hangzhou Honyar Electrical Co., Ltd**,
Hangzhou (CN); **Crestin LLC**,
Milpitas, CA (US)
(**) Term: **15 Years**
(21) Appl. No.: **29/741,669**
(22) Filed: **Jul. 15, 2020**
(51) **LOC (13) Cl.** **13-03**
(52) **U.S. Cl.**
USPC **D13/164**
(58) **Field of Classification Search**
USPC D13/162, 164, 171
CPC .. H01H 9/02; H01H 9/16; H01H 9/18; H01H
9/181; H01H 9/182; H01H 13/04; H01H
13/06; H01H 2009/187; H01H 3/12;
H01H 23/02; H01H 23/04; H05B 39/02;
H05B 39/04; H05B 39/085; H05B
39/086; H05B 39/088; G08C 17/02;
H03K 17/96; H03K 17/962; H03K
2017/9634; G06F 2203/04809
See application file for complete search history.

(56) **References Cited**
U.S. PATENT DOCUMENTS
D666,978 S * 9/2012 Felegy, Jr. D13/164
D669,866 S * 10/2012 Gilbert D13/162
D740,762 S * 10/2015 Miller D13/162
9,389,769 B1 * 7/2016 O’Keeffe G02B 6/0078
D768,582 S * 10/2016 Jacoby D13/171
D781,792 S * 3/2017 Okawa D13/162
D859,325 S * 9/2019 Cox D13/164
D898,683 S * 10/2020 Lan D13/162

11,017,965 B1 * 5/2021 Soberanis H01H 1/24
D922,961 S * 6/2021 Chandwani D13/158
2016/0353547 A1 * 12/2016 Shivell H05B 47/11
2019/0245712 A1 * 8/2019 Yu H04L 12/4625

OTHER PUBLICATIONS

Acuity sensorswitch specification sheet; Mar. 11, 2011; 2 pgs.;https://www.grainger.com/product/ACUITY-SENSOR-SWITCH-Digital-Wall-Switch-Sensor-23J487?opr=IDPPLARECS&analytics=PLAPDP_undefined.*
Philips Hue 562777 V2 Dimmer Switch, Feb. 28, 2021; 3 pgs.;
https://www.amazon.com/Philips-Hue-562777-Dimmer-Switch/dp/B08W8GLPD5/ref=sr_1_1?crd=3915FLZESMMOC&dchild=1&keywords=philips+hue+smart+switch&qid=1626112731&sprefix=philips+hue+Smart+switch%2Caps%2C180&sr=8-1.*

* cited by examiner

Primary Examiner — Selina Sikder

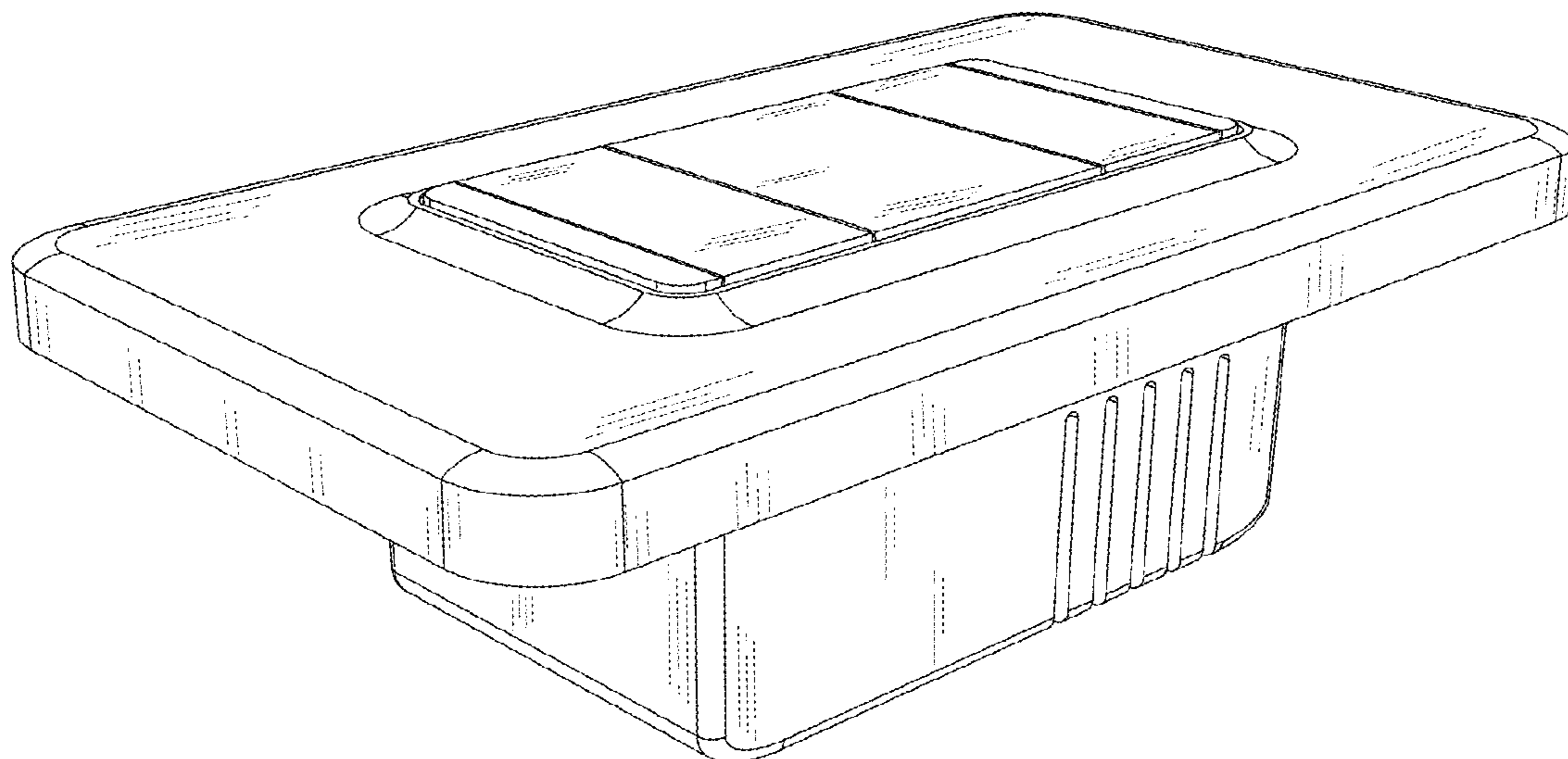
(57) **CLAIM**

The ornamental design for a light dimmer switch, as shown and described.

DESCRIPTION

FIG. 1 is a front elevational view of a light dimmer switch showing my new design;
FIG. 2 is a rear elevational view thereof;
FIG. 3 is a left side view thereof;
FIG. 4 is a right side view thereof;
FIG. 5 is a top plan view thereof;
FIG. 6 is a bottom plan view thereof;
FIG. 7 is a bottom, front and right side perspective view thereof;
FIG. 8 is a bottom, rear and left side perspective view thereof; and,
FIG. 9 is a top, rear and left side perspective view thereof.
The broken lines in the drawings illustrate portions of the light dimmer switch which form no part of the claimed design.

1 Claim, 9 Drawing Sheets



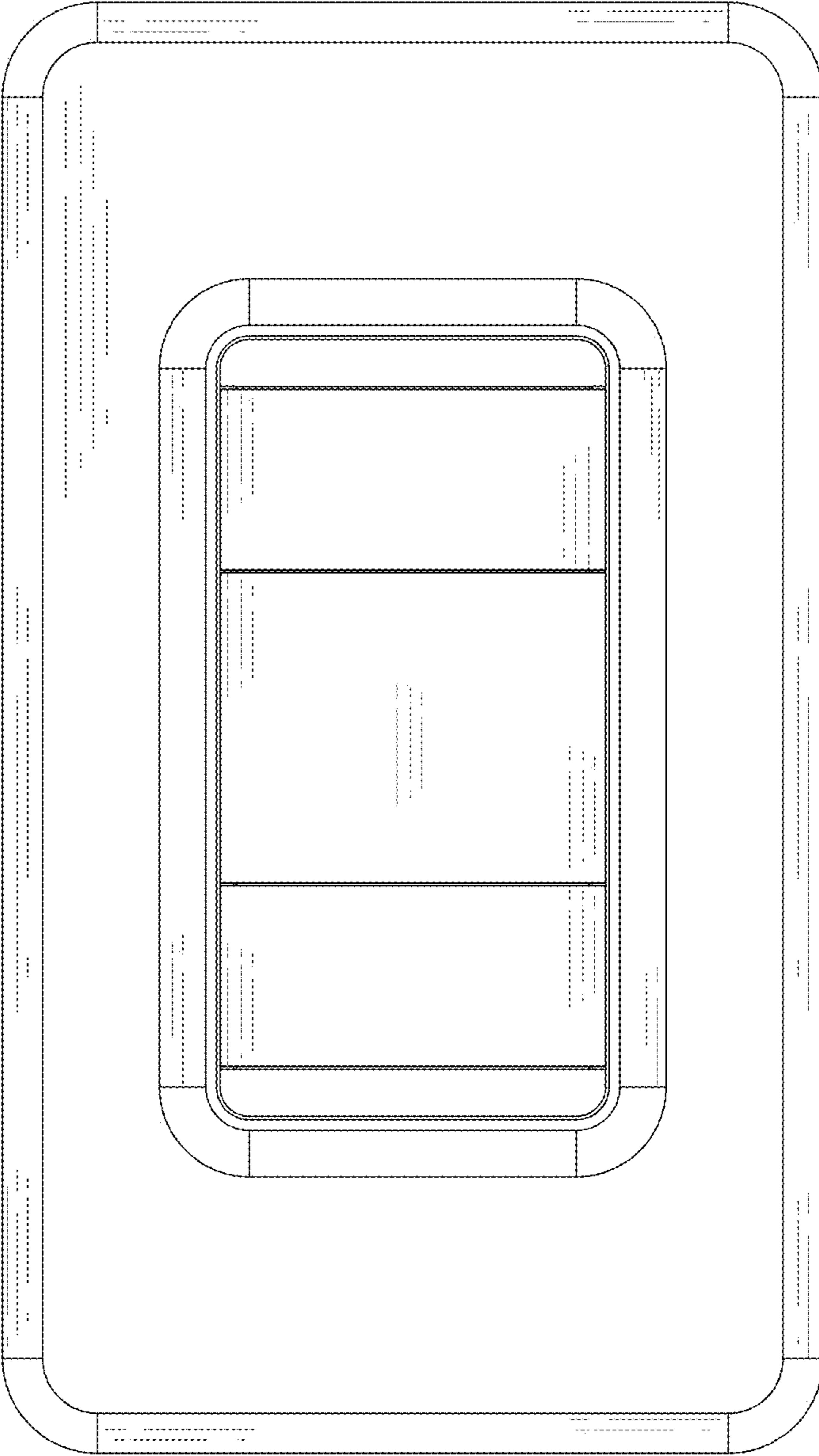


Fig. 1

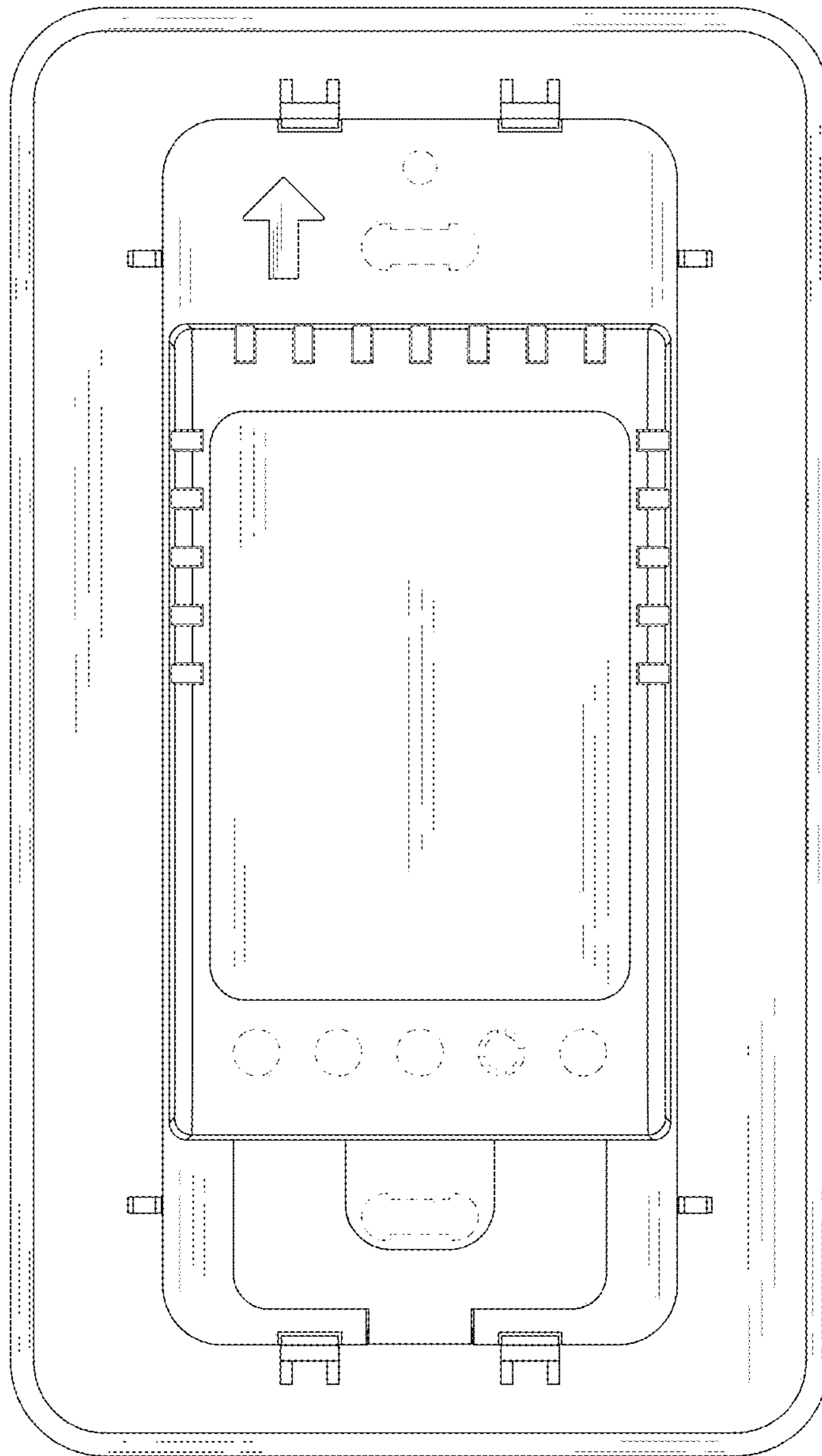


Fig. 2

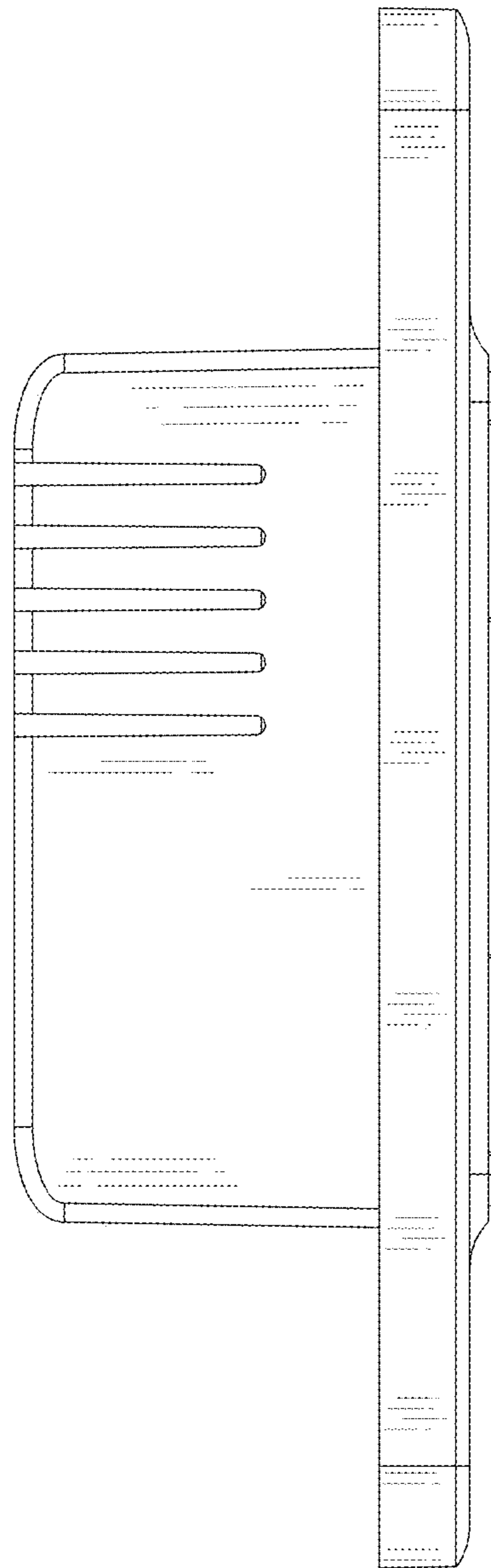


Fig. 3

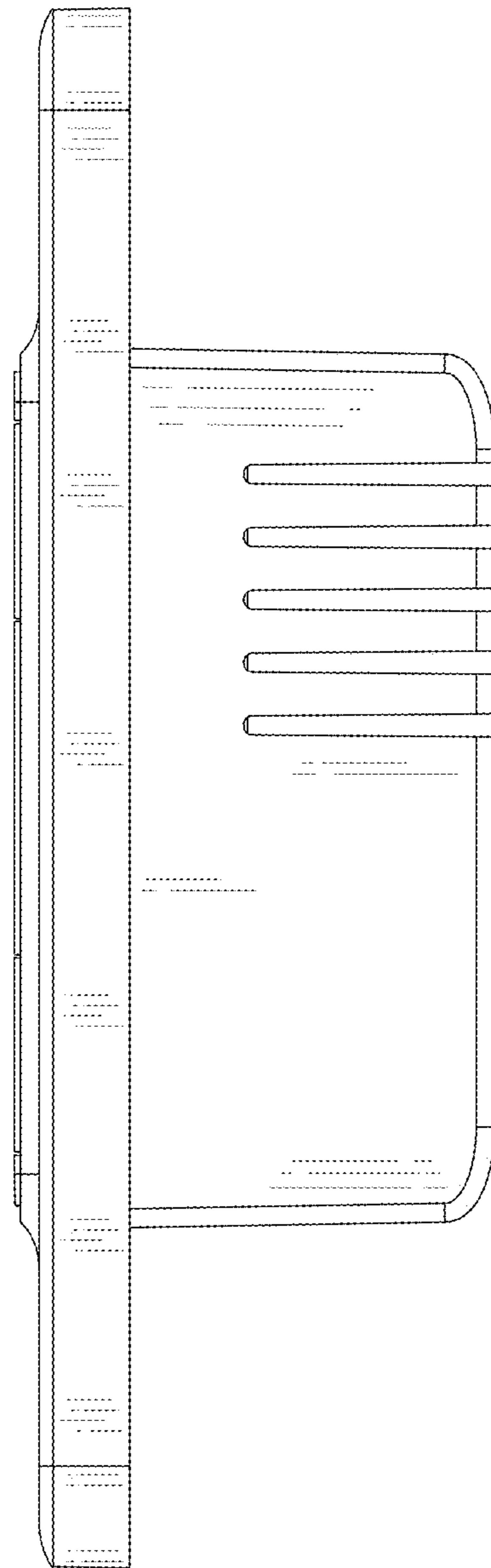


Fig. 4

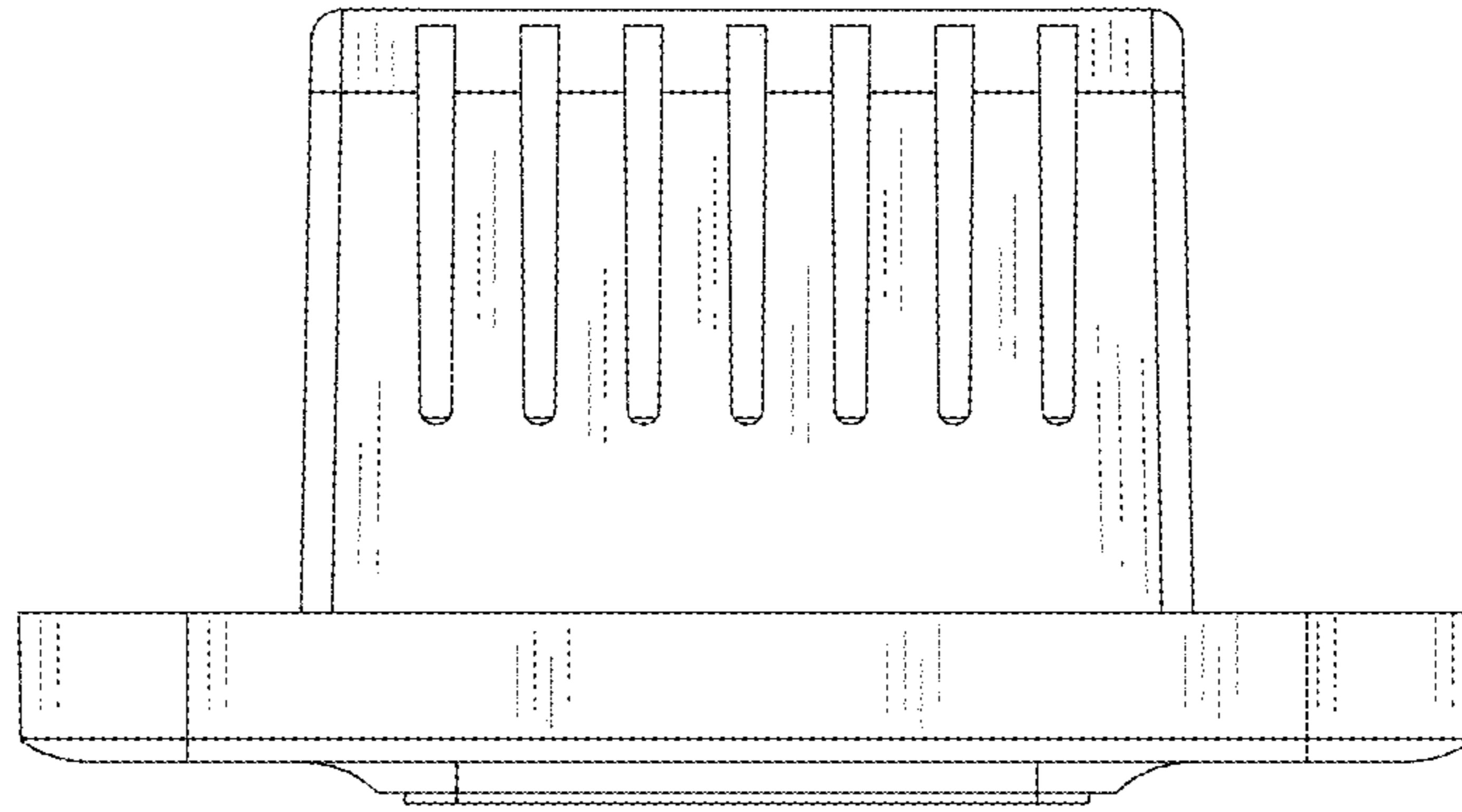


Fig. 5

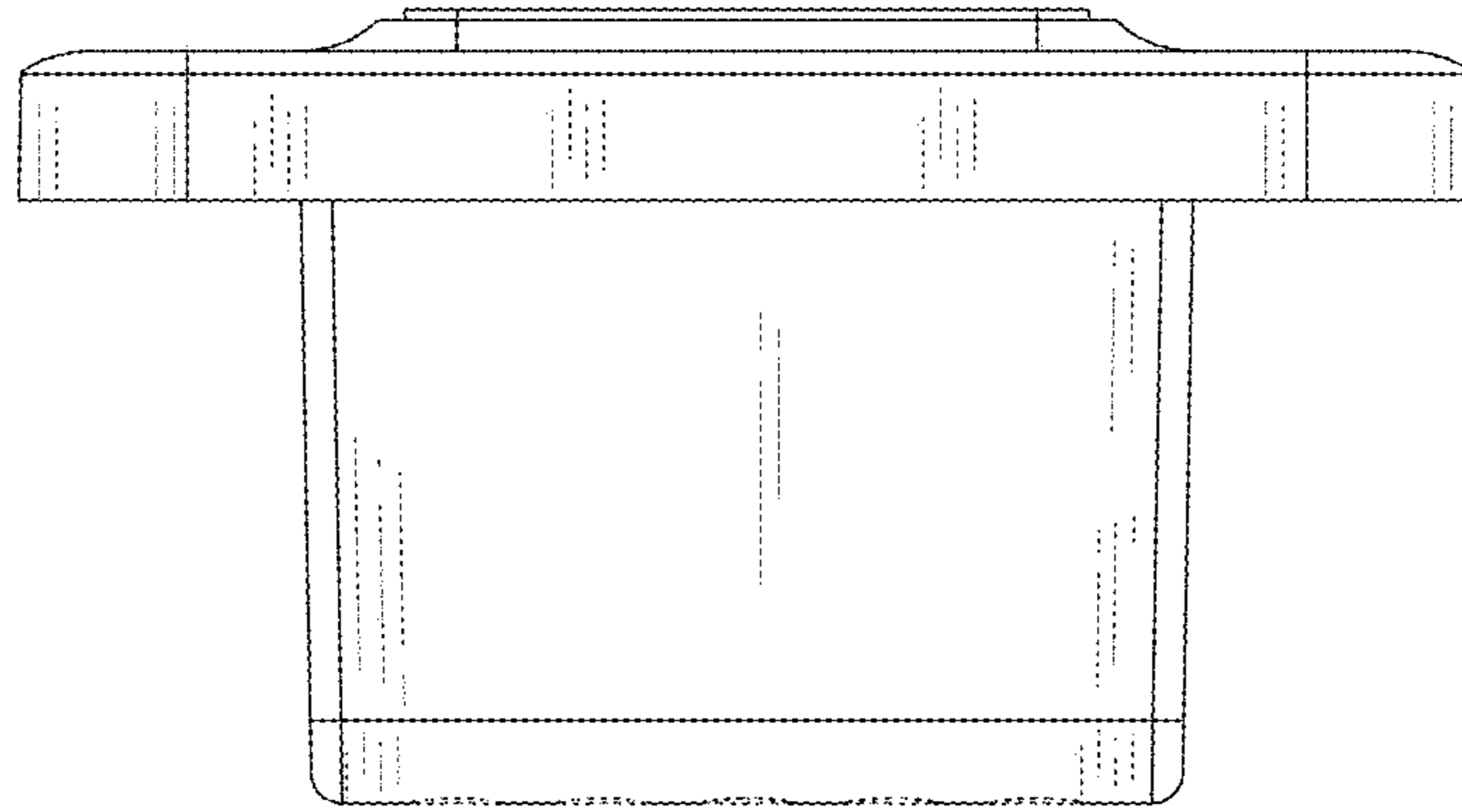


Fig. 6

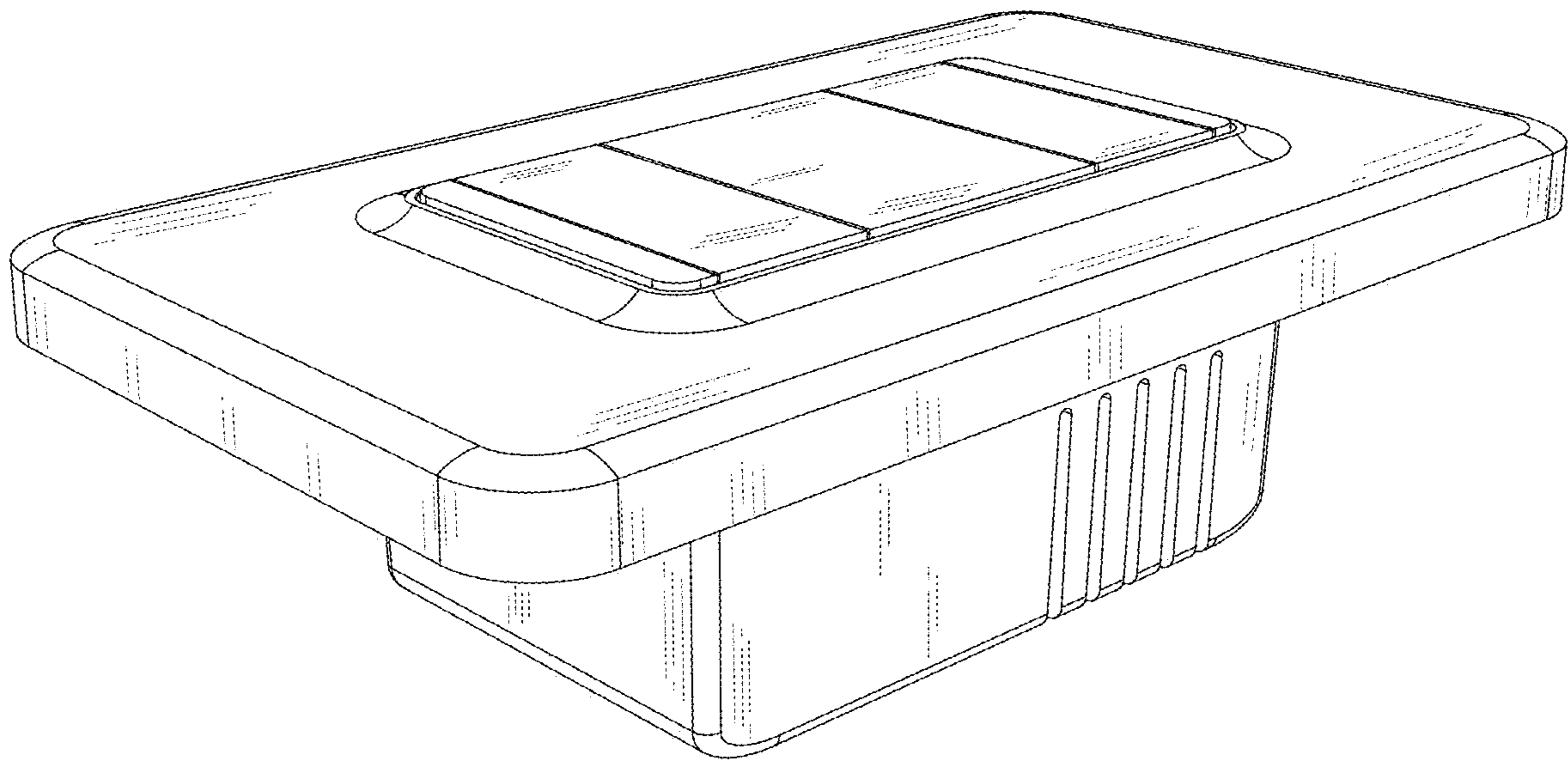


Fig. 7

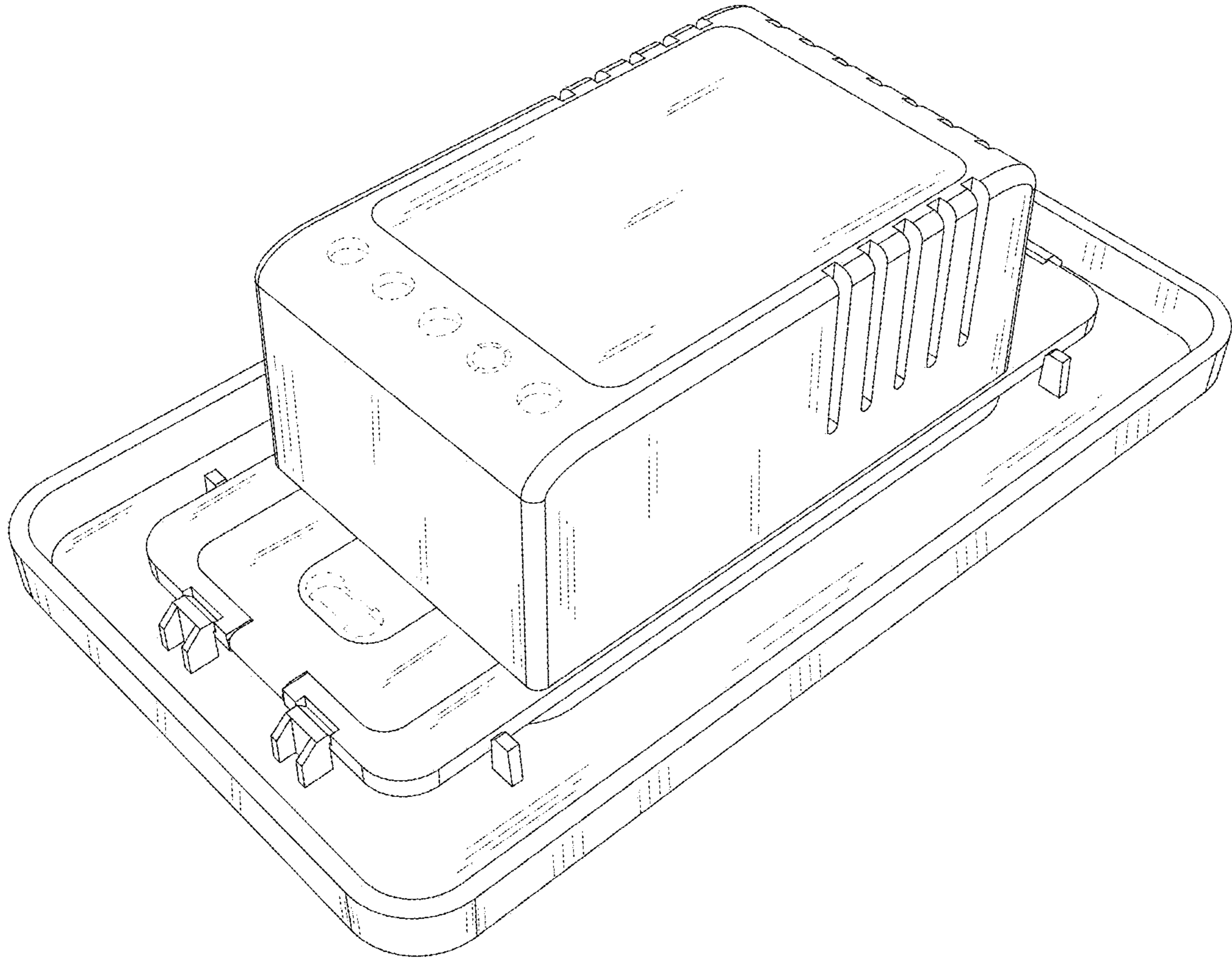


Fig. 8

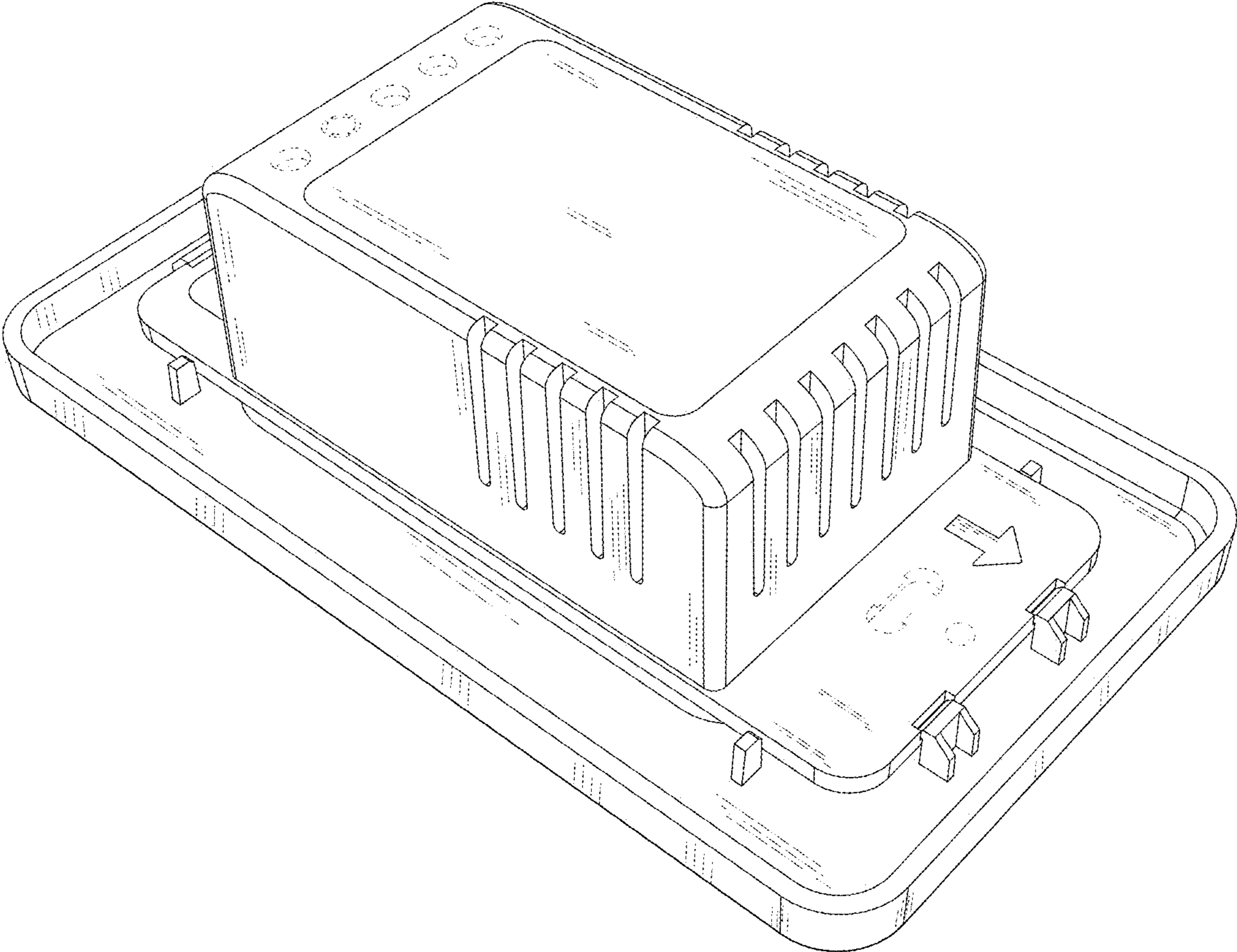


Fig. 9