



US00D936614S

(12) **United States Design Patent**
Wang

(10) **Patent No.:** **US D936,614 S**

(45) **Date of Patent:** **** Nov. 23, 2021**

(54) **WALL SWITCH**

(71) Applicants: **Hangzhou Honyar Electrical Co., Ltd,**
Zhejiang (CN); **Crestin LLC,** Milpitas,
CA (US)

(72) Inventor: **Micheng Wang,** Zhejiang (CN)

(73) Assignees: **Hangzhou Honyar Electrical Co., Ltd,**
Hangzhou (CN); **Crestin LLC,**
Milpitas, CA (US)

(**) Term: **15 Years**

(21) Appl. No.: **29/741,670**

(22) Filed: **Jul. 15, 2020**

(51) **LOC (13) Cl.** **13-03**

(52) **U.S. Cl.**
USPC **D13/162**

(58) **Field of Classification Search**
USPC D13/162, 164, 171
CPC .. H01H 9/02; H01H 9/16; H01H 9/18; H01H
9/181; H01H 9/182; H01H 13/04; H01H
13/06; H01H 2009/187; H01H 3/12;
H01H 23/02; H01H 23/04; H05B 39/02;
H05B 39/04; H05B 39/085; H05B
39/086; H05B 39/088; G08C 17/02;
H03K 17/96; H03K 17/962; H03K
2017/9634; G06F 2203/04809

See application file for complete search history.

(56) **References Cited**

U.S. PATENT DOCUMENTS

D254,849 S * 4/1980 Matsuda D13/169
D516,040 S * 2/2006 Moye D13/162
8,525,372 B2 * 9/2013 Huang H05B 47/185
307/139
D711,837 S * 8/2014 Clymer D13/162
D717,742 S * 11/2014 Larkin D13/162

D724,035 S * 3/2015 Flowers D13/162
D740,762 S * 10/2015 Miller D13/162
9,389,769 B1 * 7/2016 O’Keeffe G02B 6/0078
D781,245 S * 3/2017 Okawa D13/162
D922,961 S * 6/2021 Chandwani D13/158
2005/0072661 A1 * 4/2005 Katagiri H01H 13/14
200/341
2016/0353547 A1 * 12/2016 Shivell H05B 47/11
2019/0245712 A1 * 8/2019 Yu H04L 12/4625

OTHER PUBLICATIONS

Acuity sensorswitch specification sheet; Mar. 11, 2011; 2 pgs.;https://www.grainger.com/product/ACUITY-SENSOR-SWITCH-Digital-Wall-Switch-Sensor-23J487?opr=IDPPLARECS&analytics=PLAPDP_undefined.*

* cited by examiner

Primary Examiner — Selina Sikder

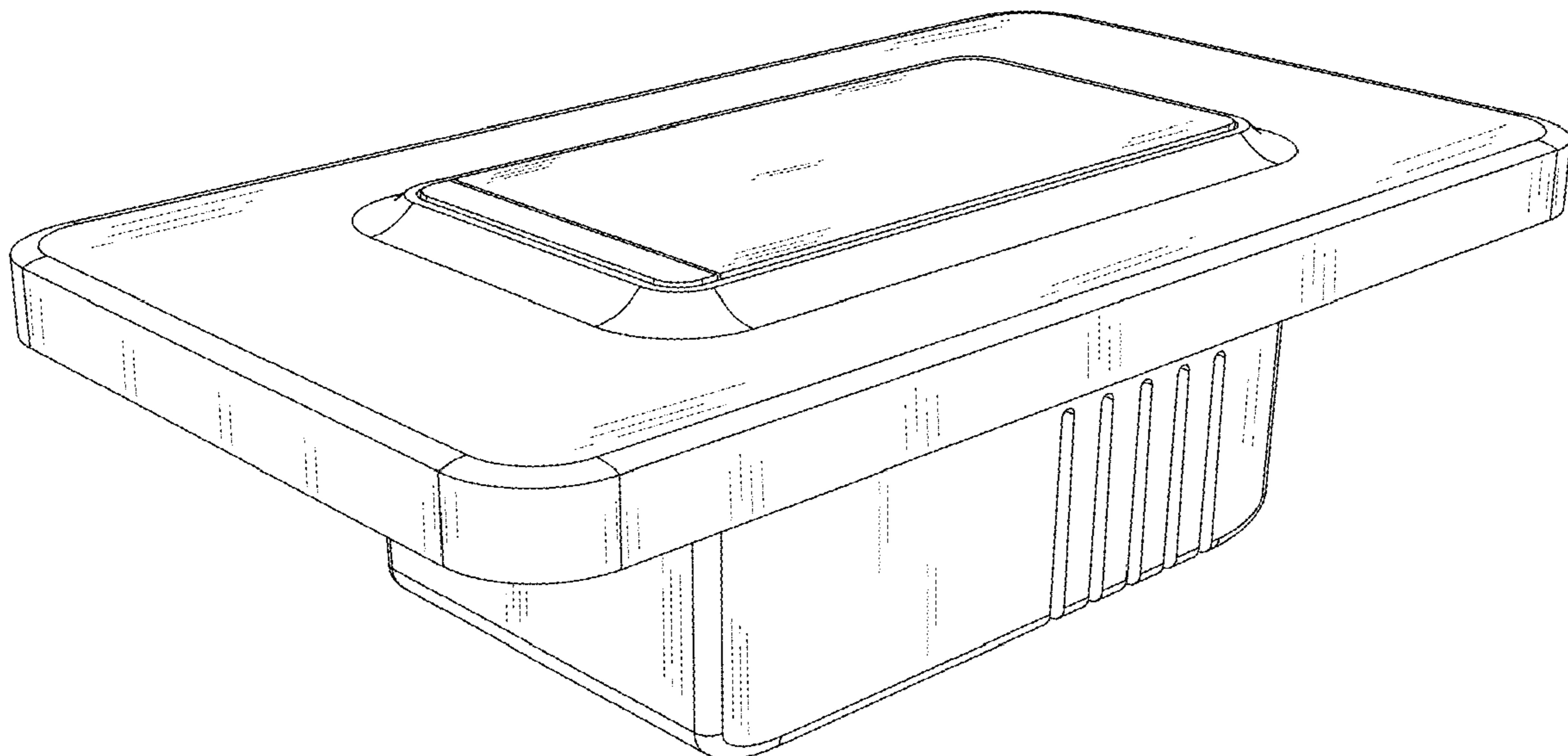
(57) **CLAIM**

The ornamental design for a wall switch, as shown and described.

DESCRIPTION

FIG. 1 is a front elevational view of a wall switch showing my new design;
FIG. 2 is a rear elevational view thereof;
FIG. 3 is a left side view thereof;
FIG. 4 is a right side view thereof;
FIG. 5 is a top plan view thereof;
FIG. 6 is a bottom plan view thereof;
FIG. 7 is a bottom, front and right side perspective view thereof;
FIG. 8 is a bottom, rear and left side perspective view thereof; and,
FIG. 9 is a top, rear and left side perspective view thereof.
The broken lines in the drawings illustrate portions of the wall switch which form no part of the claimed design.

1 Claim, 9 Drawing Sheets



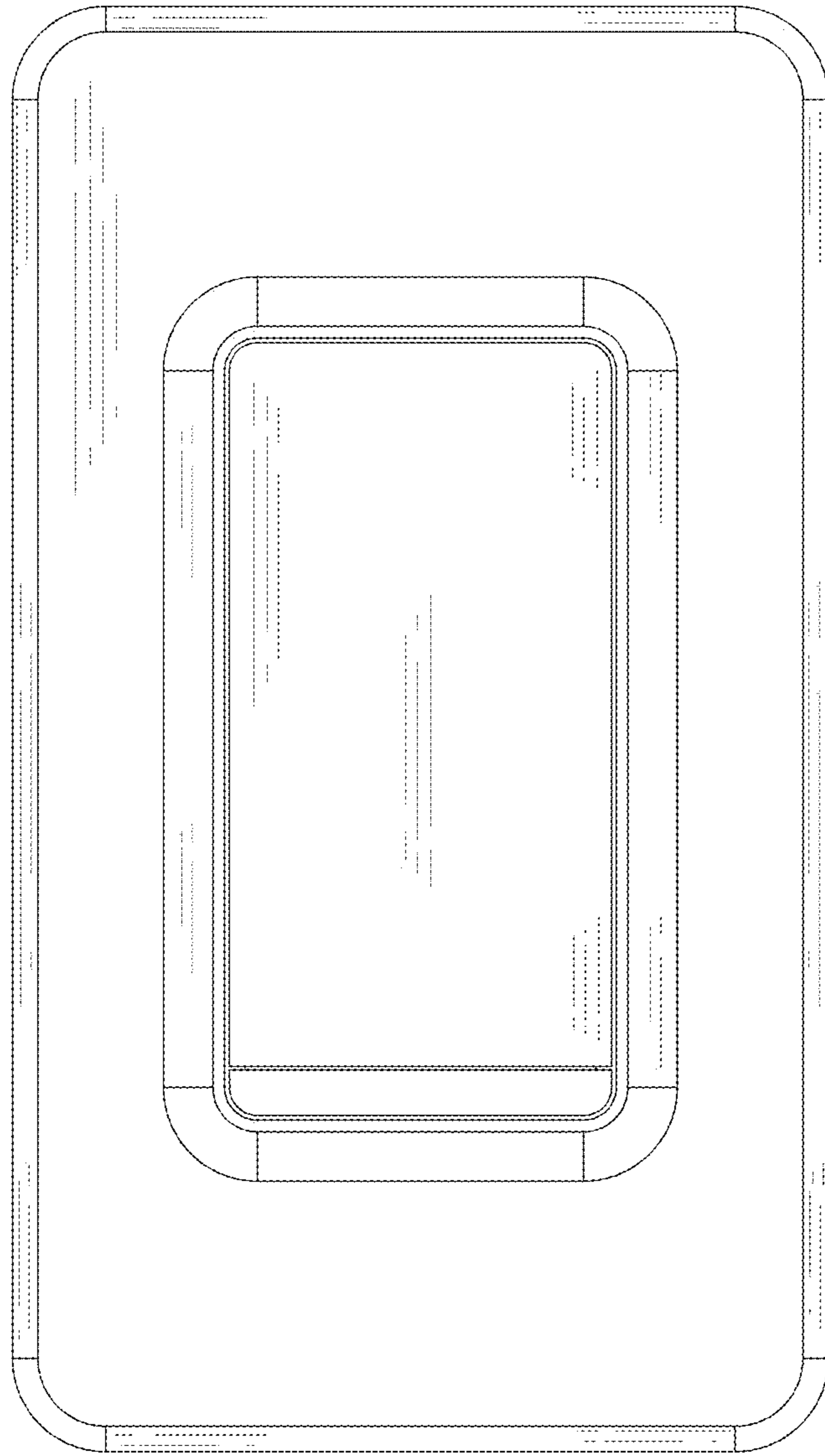


Fig. 1

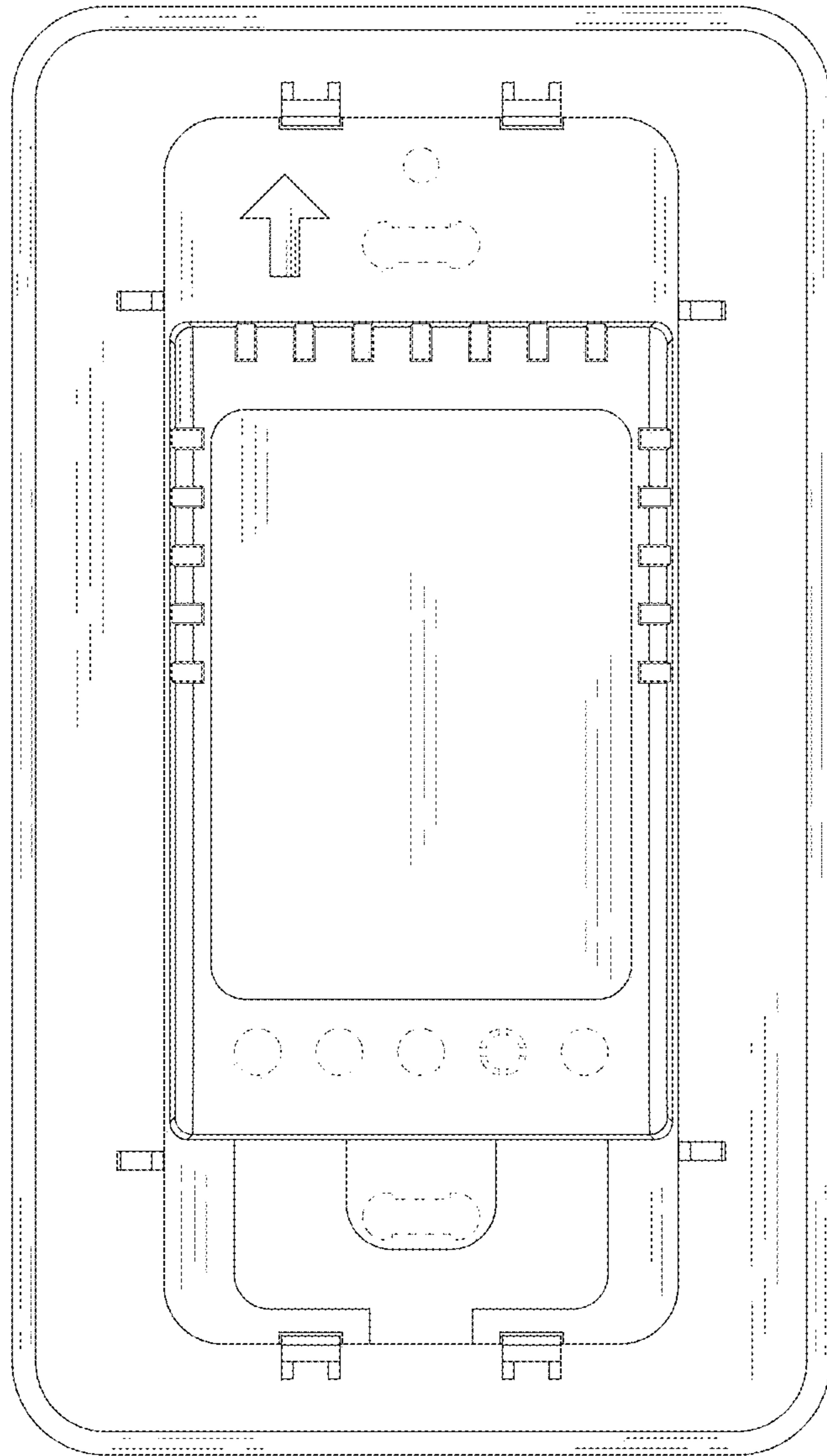


Fig. 2

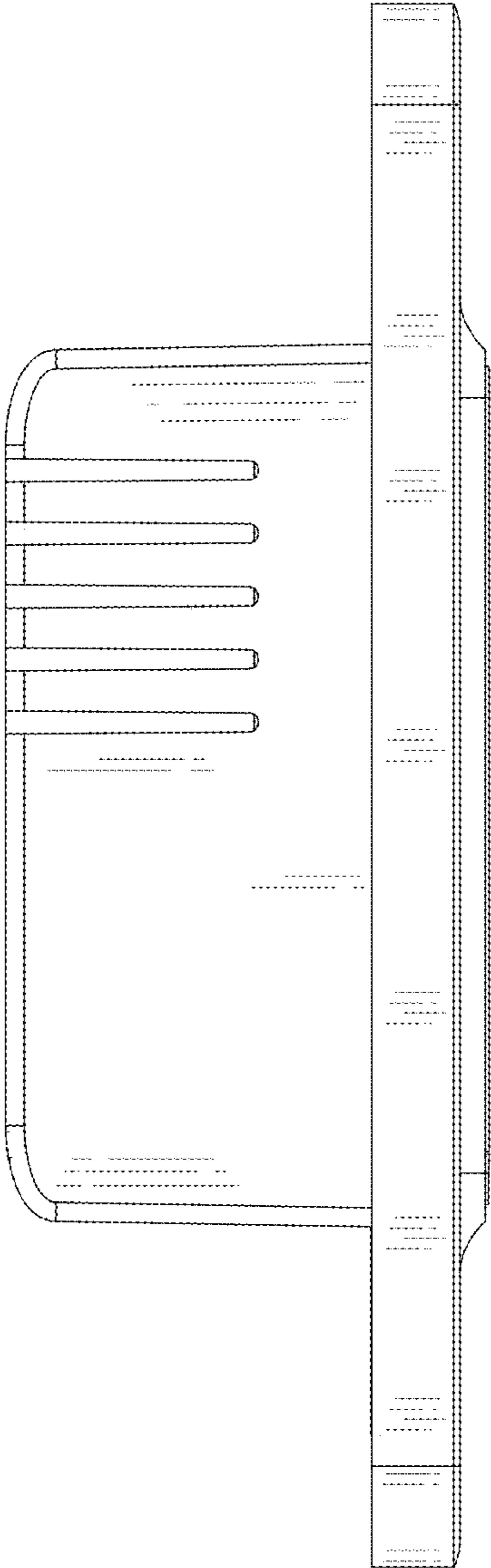


Fig. 3

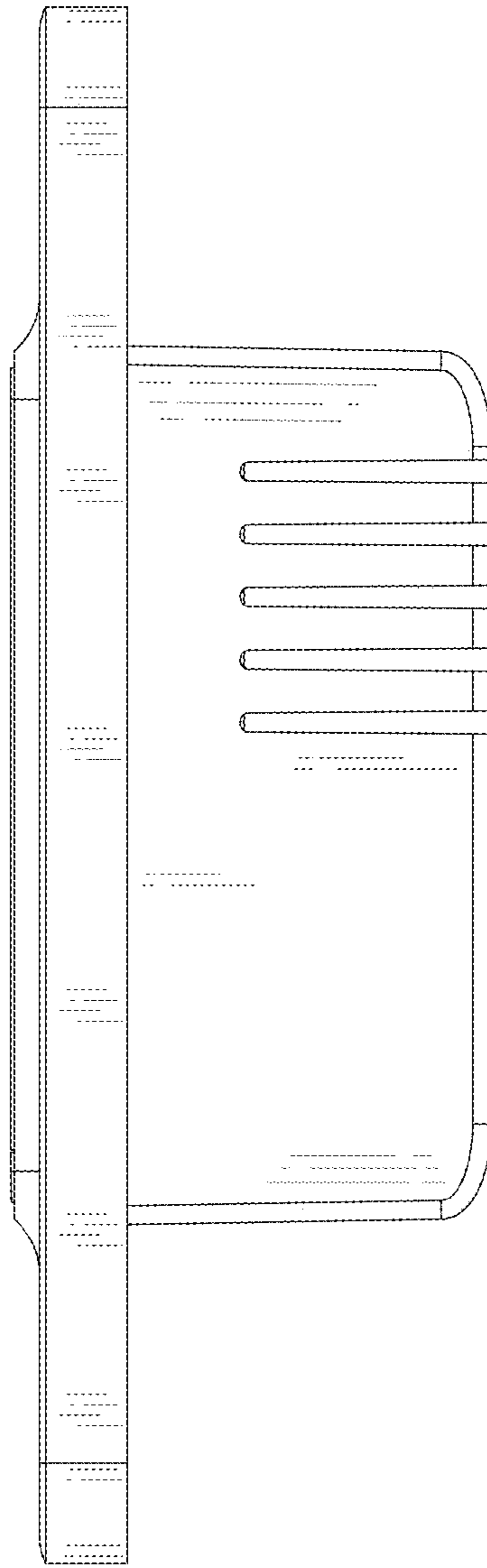


Fig. 4

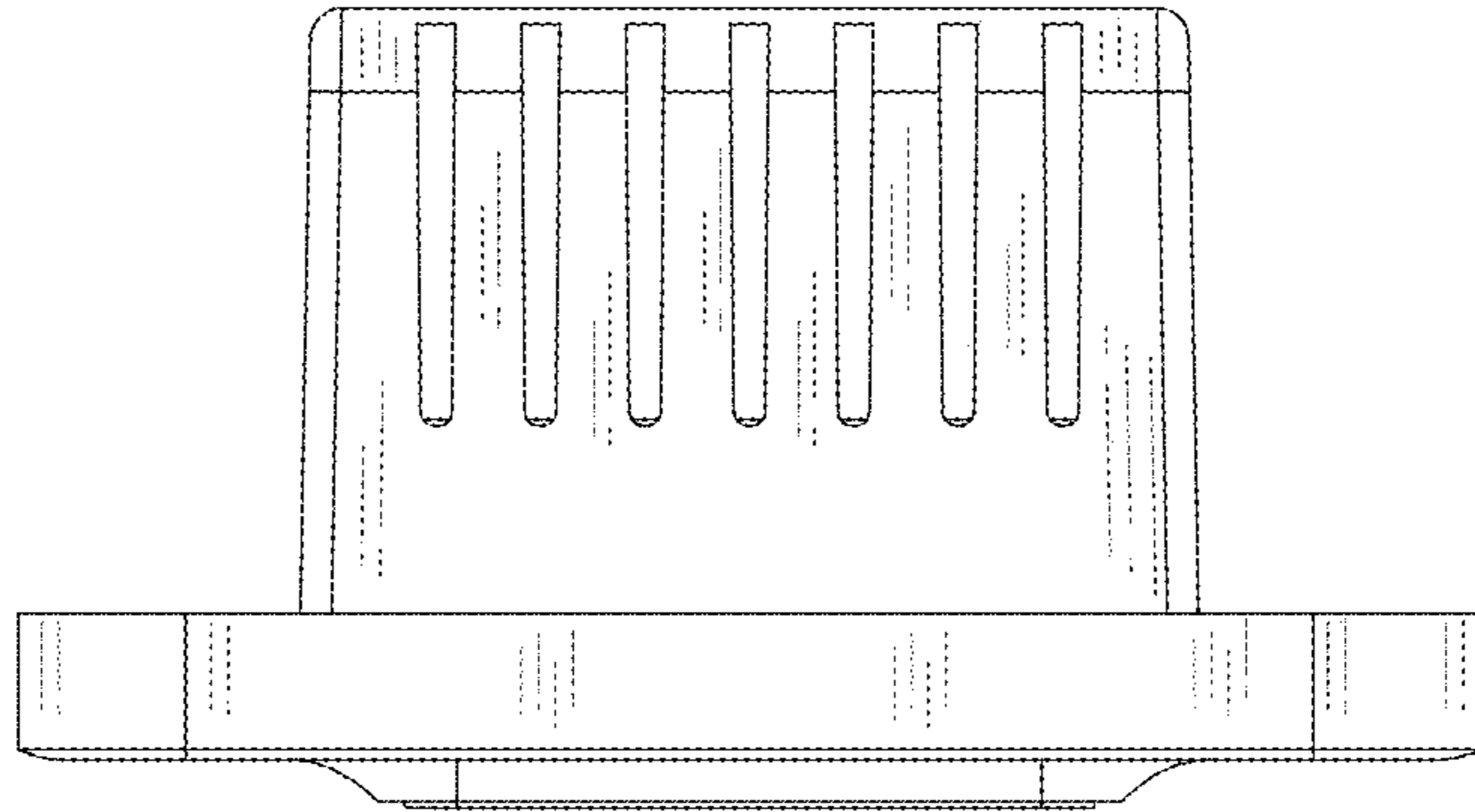


Fig. 5

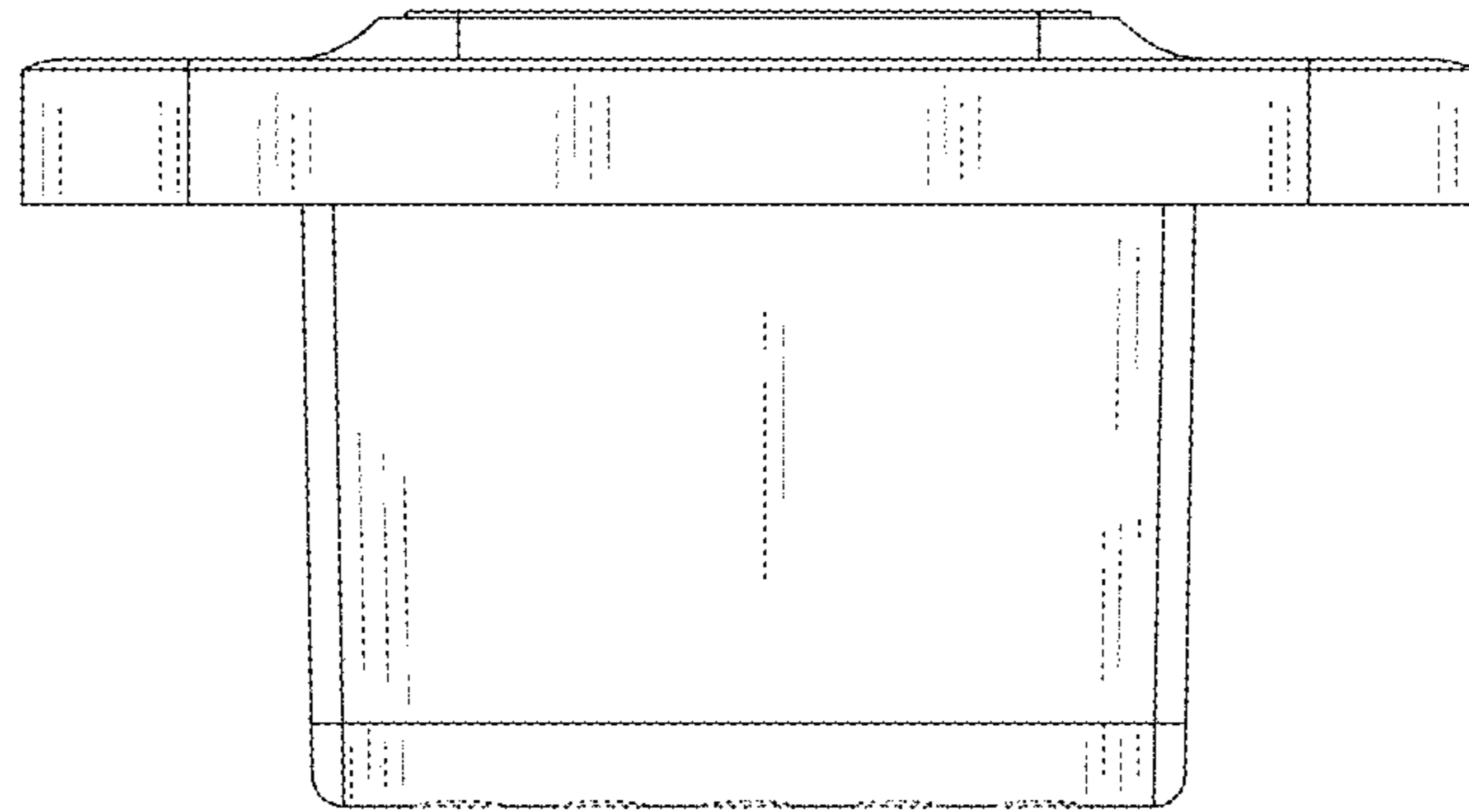


Fig. 6

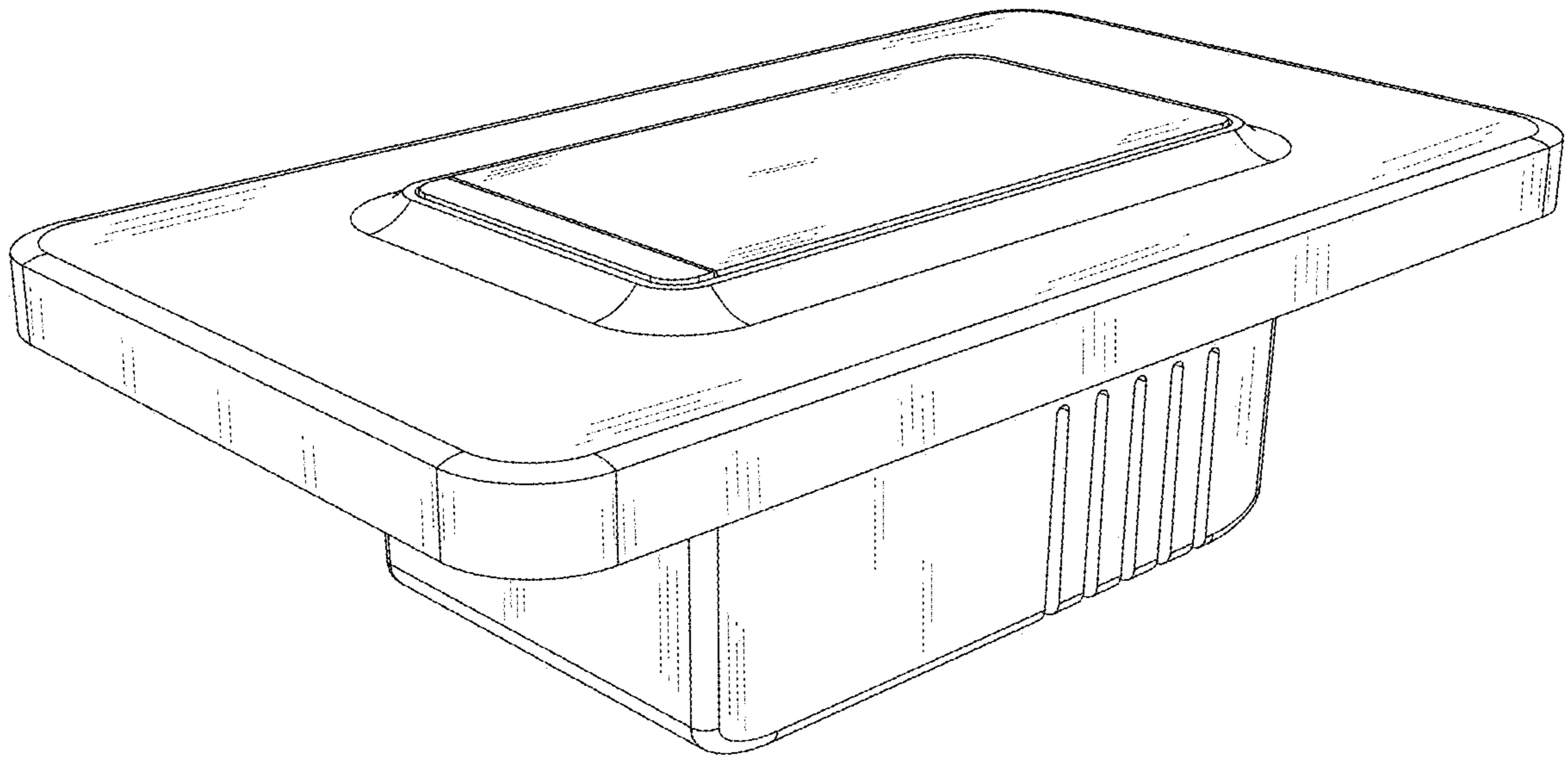


Fig. 7

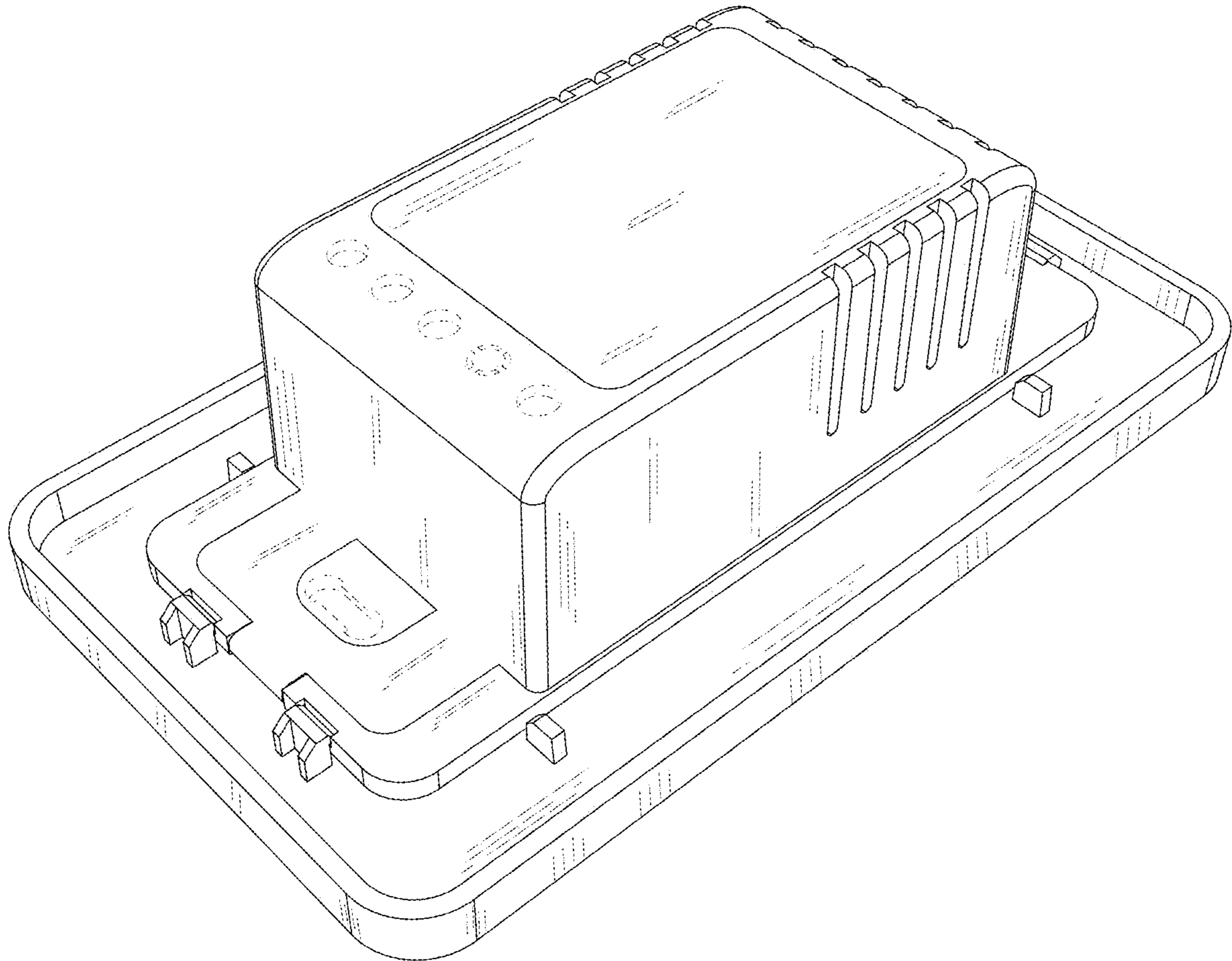


Fig. 8

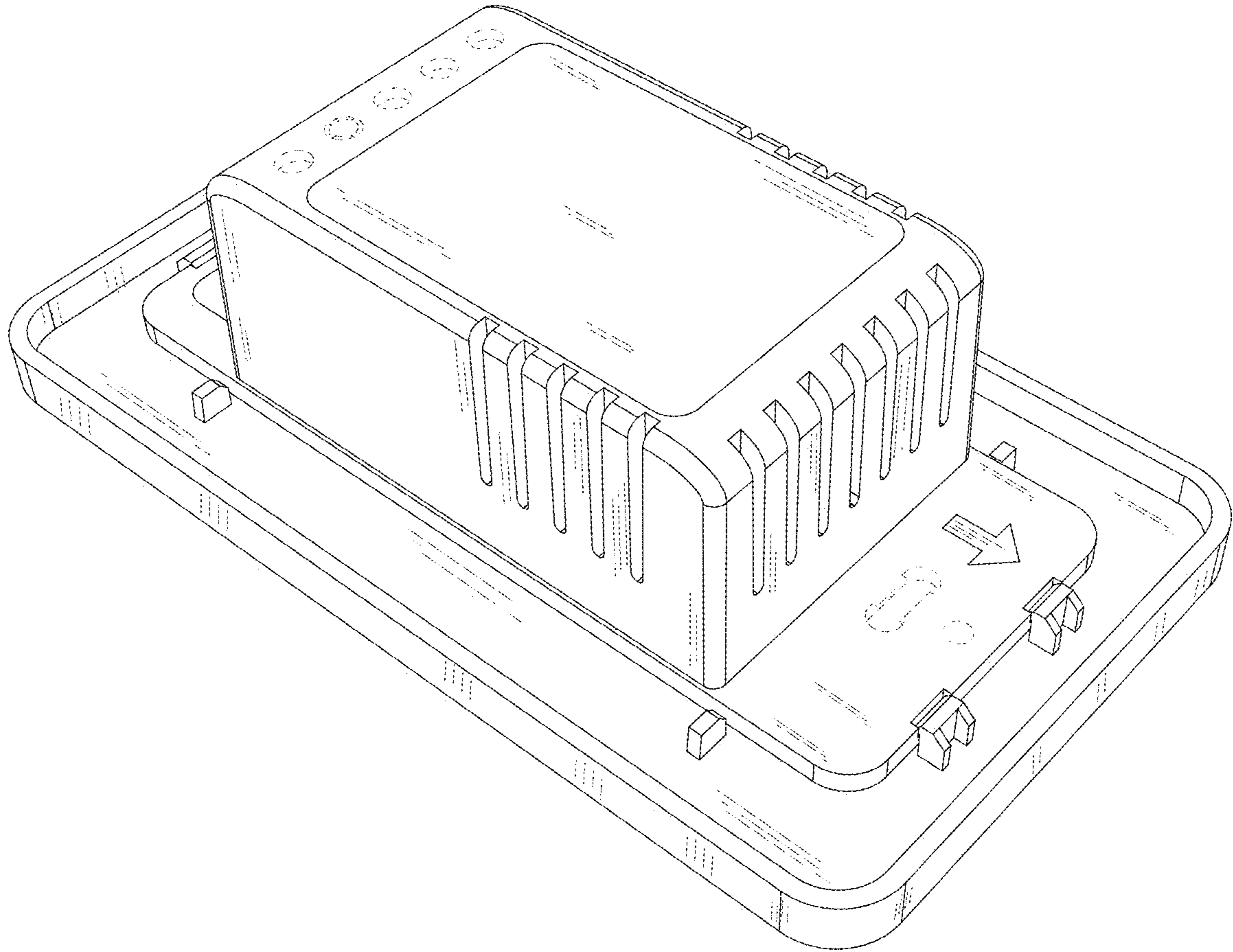


Fig. 9