



US00D936613S

(12) **United States Design Patent**  
**Zimmer**

(10) **Patent No.:** **US D936,613 S**

(45) **Date of Patent:** **\*\* \*Nov. 23, 2021**

(54) **PRESSURE SWITCH**

(71) Applicant: **Trent Zimmer**, Broussard, LA (US)

(72) Inventor: **Trent Zimmer**, Broussard, LA (US)

(\*) Notice: This patent is subject to a terminal disclaimer.

(\*\*) Term: **15 Years**

(21) Appl. No.: **29/779,813**

(22) Filed: **Apr. 21, 2021**

**Related U.S. Application Data**

(62) Division of application No. 29/688,455, filed on Apr. 22, 2019, now Pat. No. Des. 931,231.

(51) **LOC (13) Cl.** ..... **13-03**

(52) **U.S. Cl.**  
USPC ..... **D13/158; D13/171; D22/108**

(58) **Field of Classification Search**  
USPC ..... D13/101, 123–125, 158–160, 168, 169,  
D13/171, 173, 174, 184, 199;  
D22/108–110, 199  
CPC ..... F41C 23/12; F41C 27/00; G08C 17/02;  
H01H 13/70; H01H 47/22; H01R 24/58;  
H01R 27/02; H01R 33/88; H01R 33/955;  
H05K 5/00

See application file for complete search history.

(56) **References Cited**

**U.S. PATENT DOCUMENTS**

D202,622	S	*	10/1965	Scanlon	.....	D13/171
D204,060	S	*	3/1966	Simmons	.....	D13/158
D316,539	S	*	4/1991	Judd	.....	D13/158
D319,628	S	*	9/1991	Whitley, II	.....	D13/171
D335,281	S	*	5/1993	Thummel	.....	D13/158
D415,117	S	*	10/1999	Belinky	.....	D12/162
D605,606	S	*	12/2009	Zheng	.....	D13/171
D674,858	S	*	1/2013	Galli	.....	D22/108
D747,432	S	*	1/2016	Cheng	.....	D22/109

9,577,694	B1	*	2/2017	Albee	.....	H04M 1/0279
D807,981	S	*	1/2018	Cheng	.....	D22/108
D808,489	S	*	1/2018	Cheng	.....	D22/108

(Continued)

**OTHER PUBLICATIONS**

LaRue Tactical, dated 2014, [online], [site visited Jun. 26, 2020]. Available from Internet, URL: <https://www.larue.com/products/surefire-xt07-switch/#reviews-tab> (Year: 2014).\*

(Continued)

*Primary Examiner* — Shawn T Gingrich  
(74) *Attorney, Agent, or Firm* — F. Wayne Thompson, Jr.; Asgaard Patent Services, LLC

(57) **CLAIM**

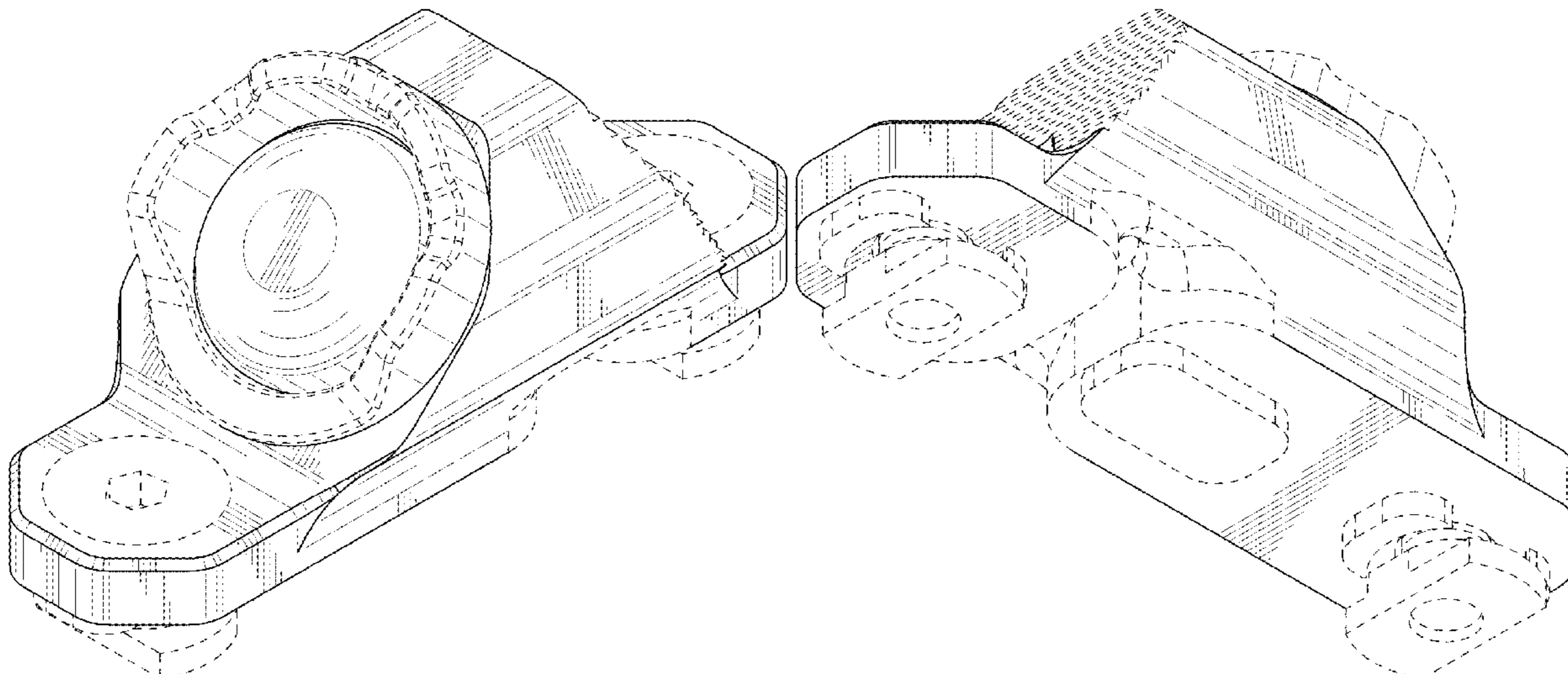
The ornamental design for a pressure switch, as shown and described.

**DESCRIPTION**

FIG. 1 is an isometric view of a pressure switch;  
FIG. 2 is another isometric view of the pressure switch shown in FIG. 1;  
FIG. 3 is a front view of the pressure switch shown in FIG. 1;  
FIG. 4 is a right side view of the pressure switch shown in FIG. 1;  
FIG. 5 is a rear view of the pressure switch shown in FIG. 1;  
FIG. 6 is a left side view of the pressure switch shown in FIG. 1;  
FIG. 7 is a top view of the pressure switch shown in FIG. 1;  
and,  
FIG. 8 is a bottom view of the pressure switch shown in FIG. 1.

The broken lines shown in the drawings represent portions of the pressure switch that form no part of the claimed design.

**1 Claim, 6 Drawing Sheets**



(56)

**References Cited**

U.S. PATENT DOCUMENTS

D902,161 S \* 11/2020 Zimmer ..... D13/158  
D906,988 S \* 1/2021 Zimmer ..... D13/158  
2012/0144991 A1 \* 6/2012 Hayden ..... F41G 5/06  
89/41.02  
2016/0211095 A1 \* 7/2016 Zimmer ..... F41C 27/00  
2020/0143667 A1 \* 5/2020 Zimmer ..... H01R 33/955

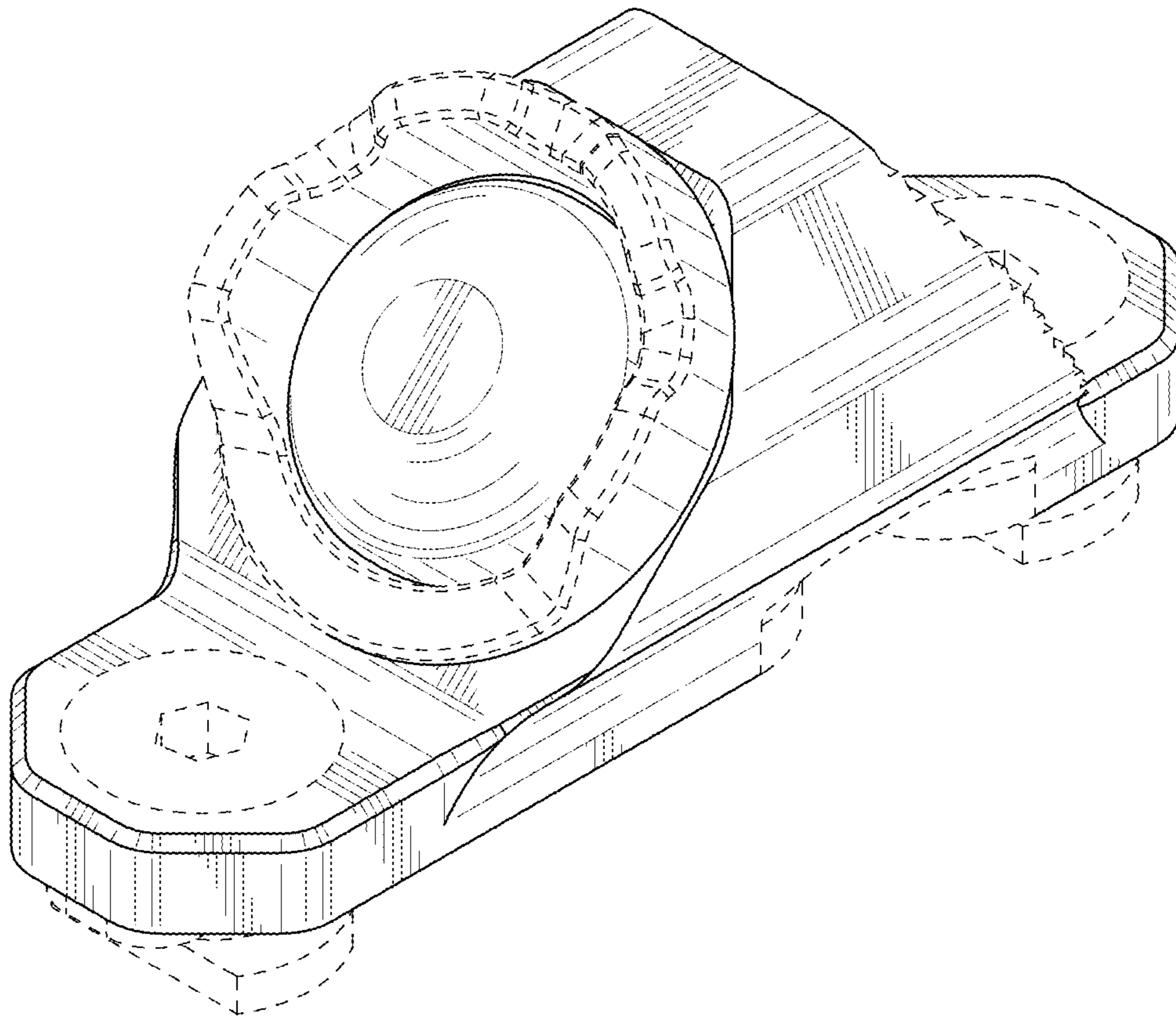
OTHER PUBLICATIONS

Defense Review, dated Jun. 11, 2019, [online], [site visited Jun. 26, 2020]. Available from Internet, URL: <https://www.defensereview.com/unity-tactical-hot-button-mlok-remote-pressure-switch-for-your-tactical-ar-15-rifle-carbine-sbr-white-light-and-laser-aimer-illuminator-video/> (Year: 2019).\*

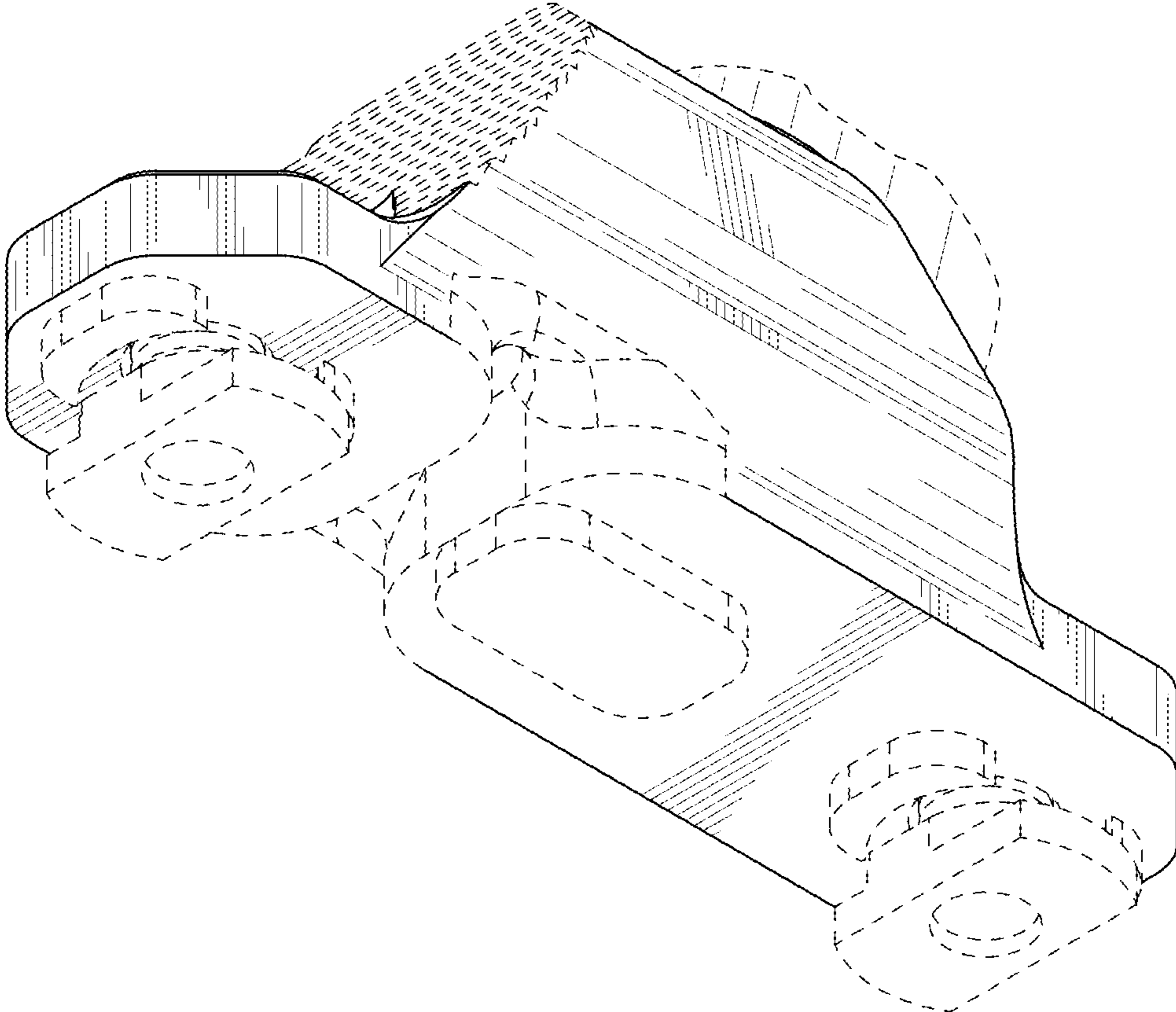
Fenix AER-02 V2.0 tactical remote switch, dated Aug. 2, 2016, [online], [site visited Jun. 26, 2020]. Available from Internet, URL: <https://www.knivesandtools.com/en/pt/-fenix-aer-02-remote-tailcap.htm> (Year: 2016).\*

Unity Tactical Hot Botton, dated May 11, 2019, [online], [site visited Jun. 26, 2020]. Available from Internet, URL: <https://www.unitytactical.com/product-category/hot-button/> (Year: 2019).\*

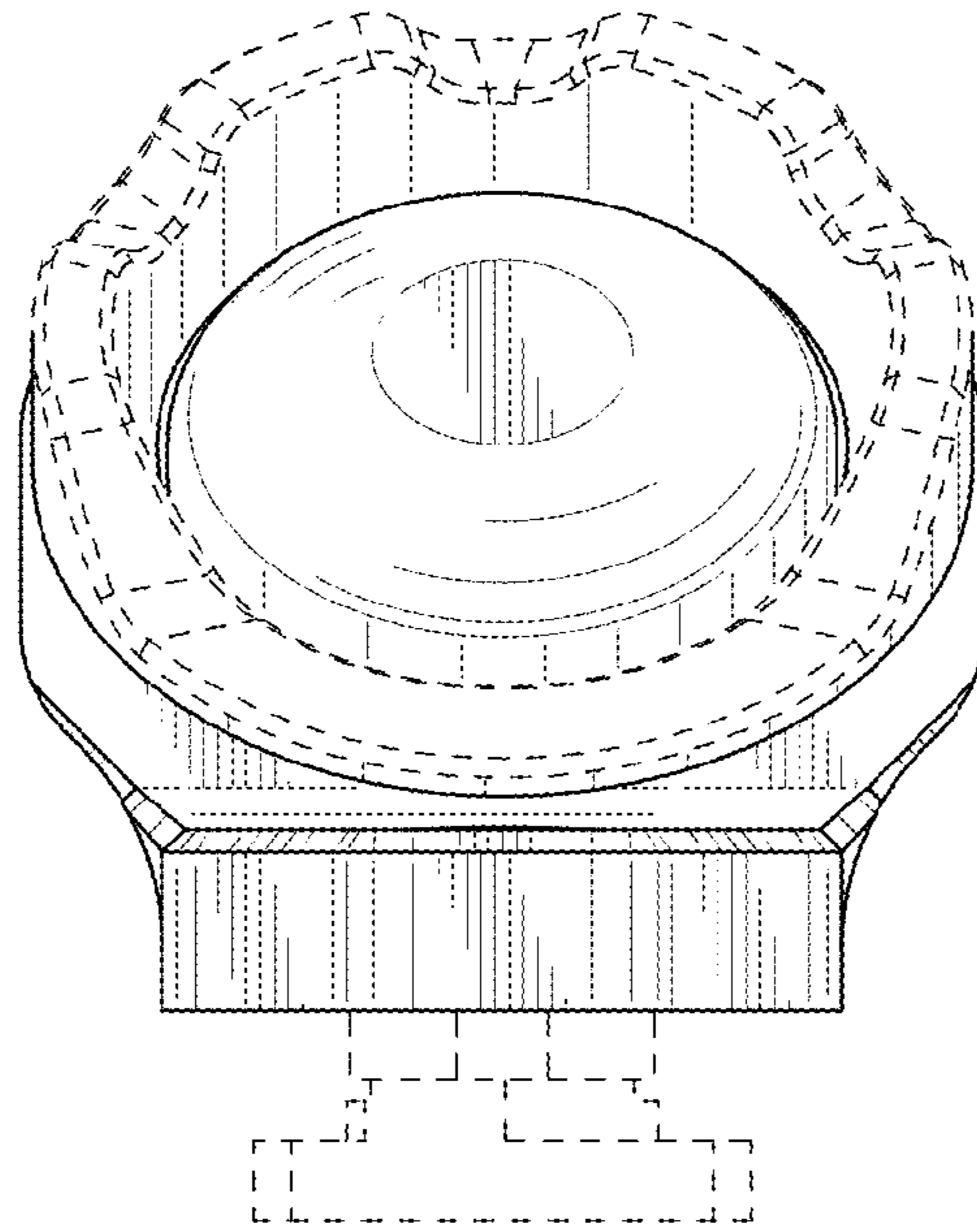
\* cited by examiner



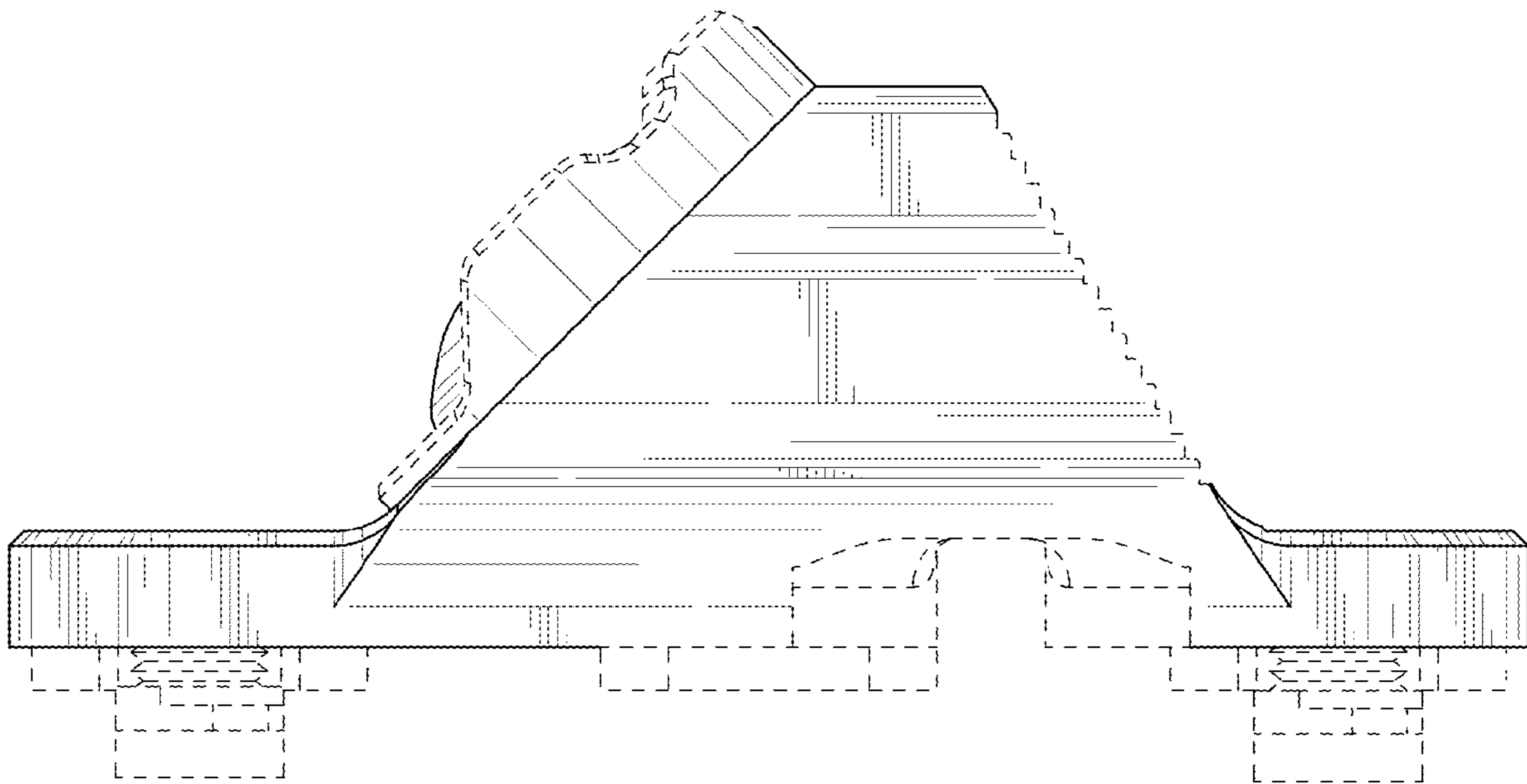
**FIG. 1**



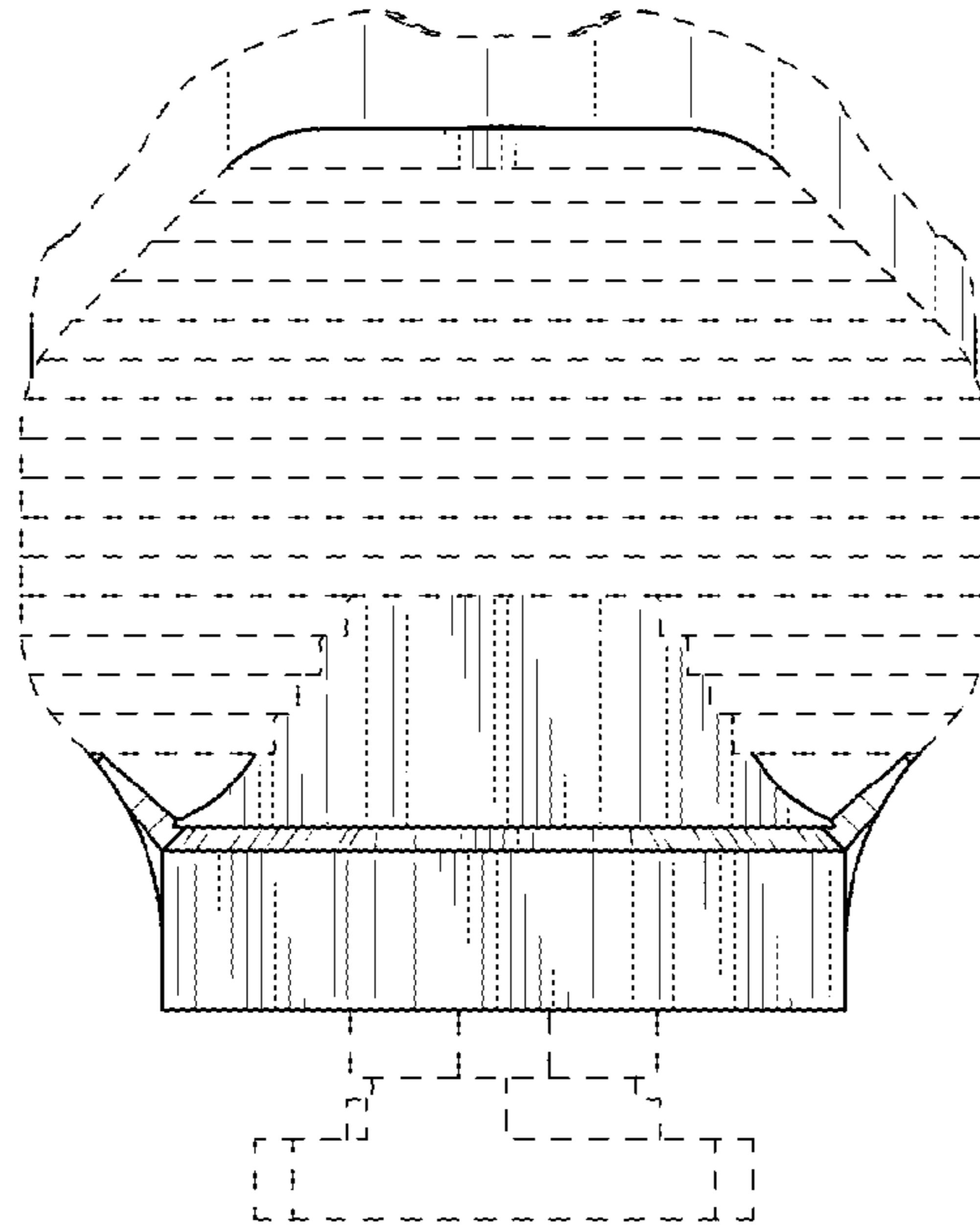
**FIG. 2**



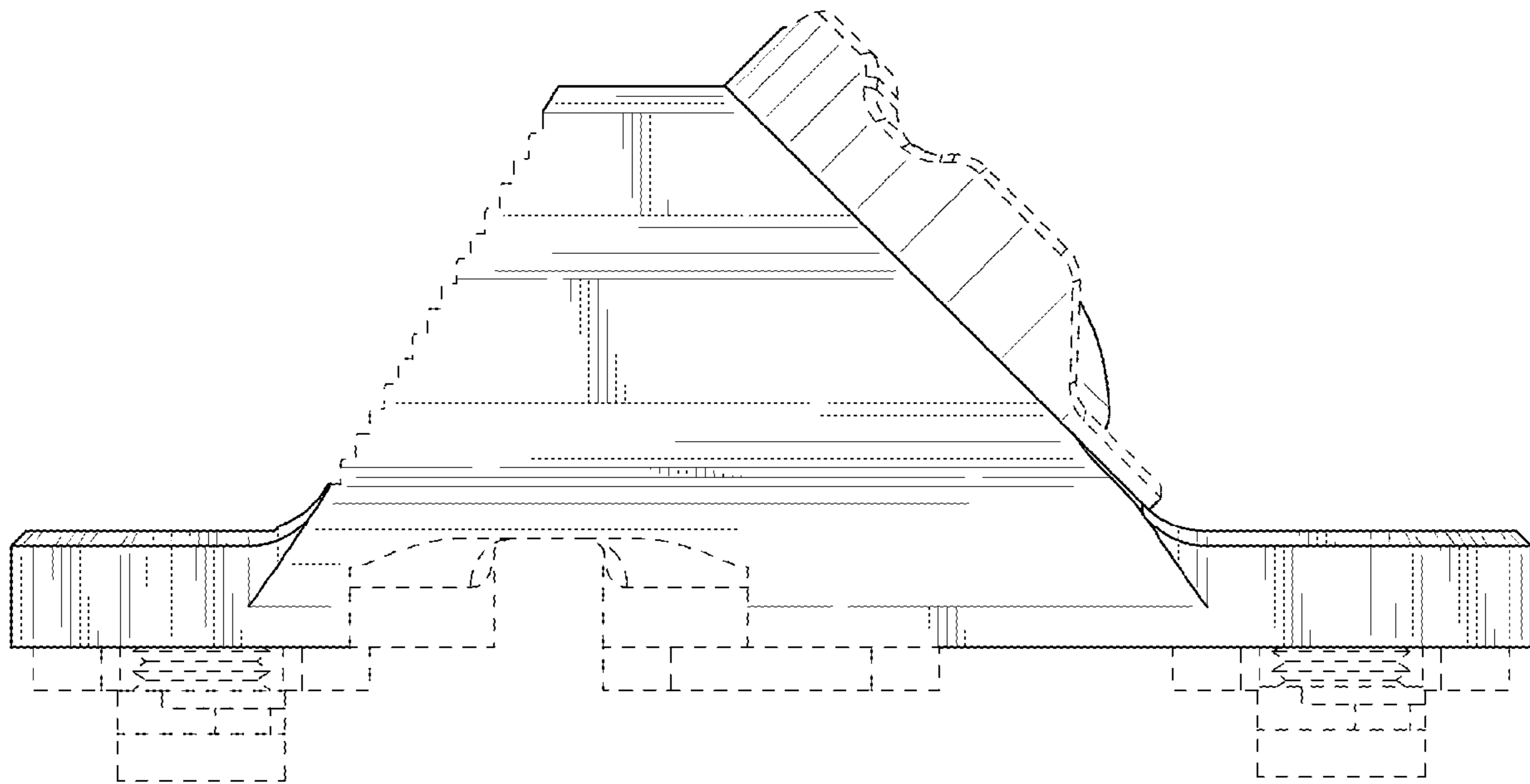
**FIG. 3**



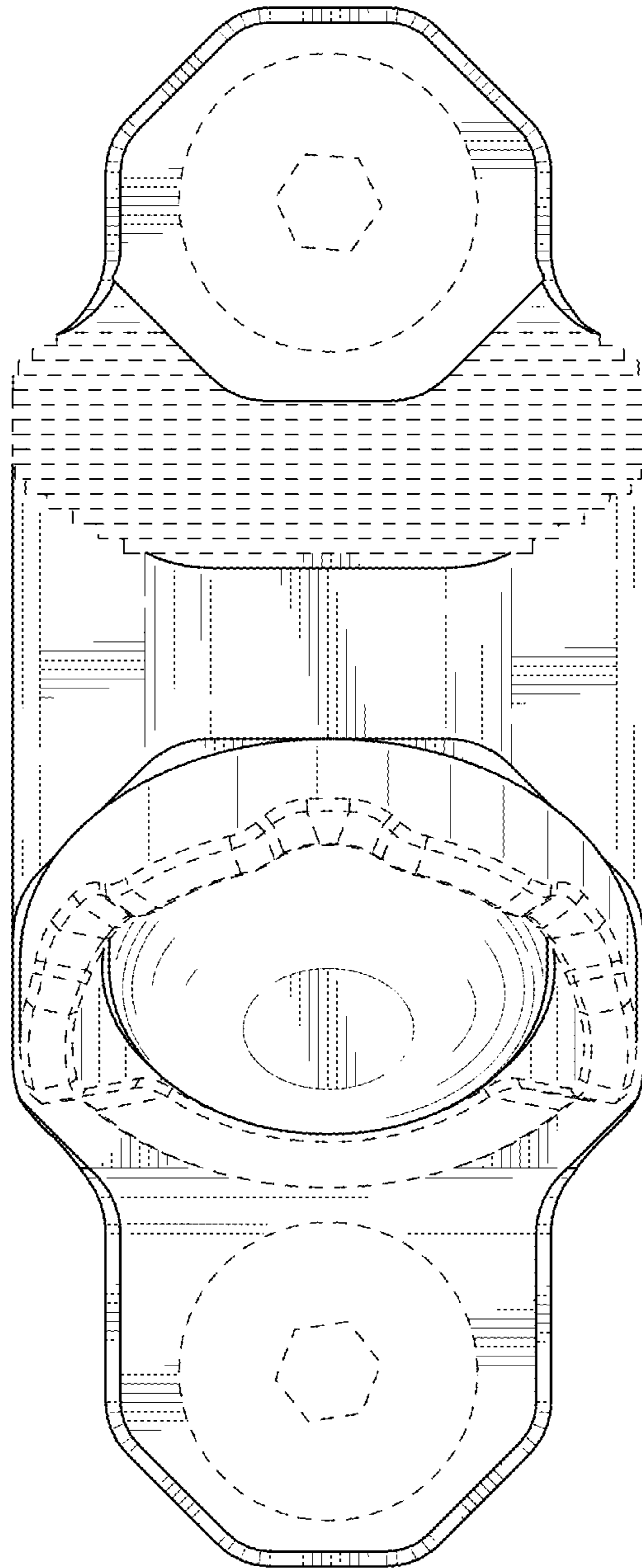
**FIG. 4**



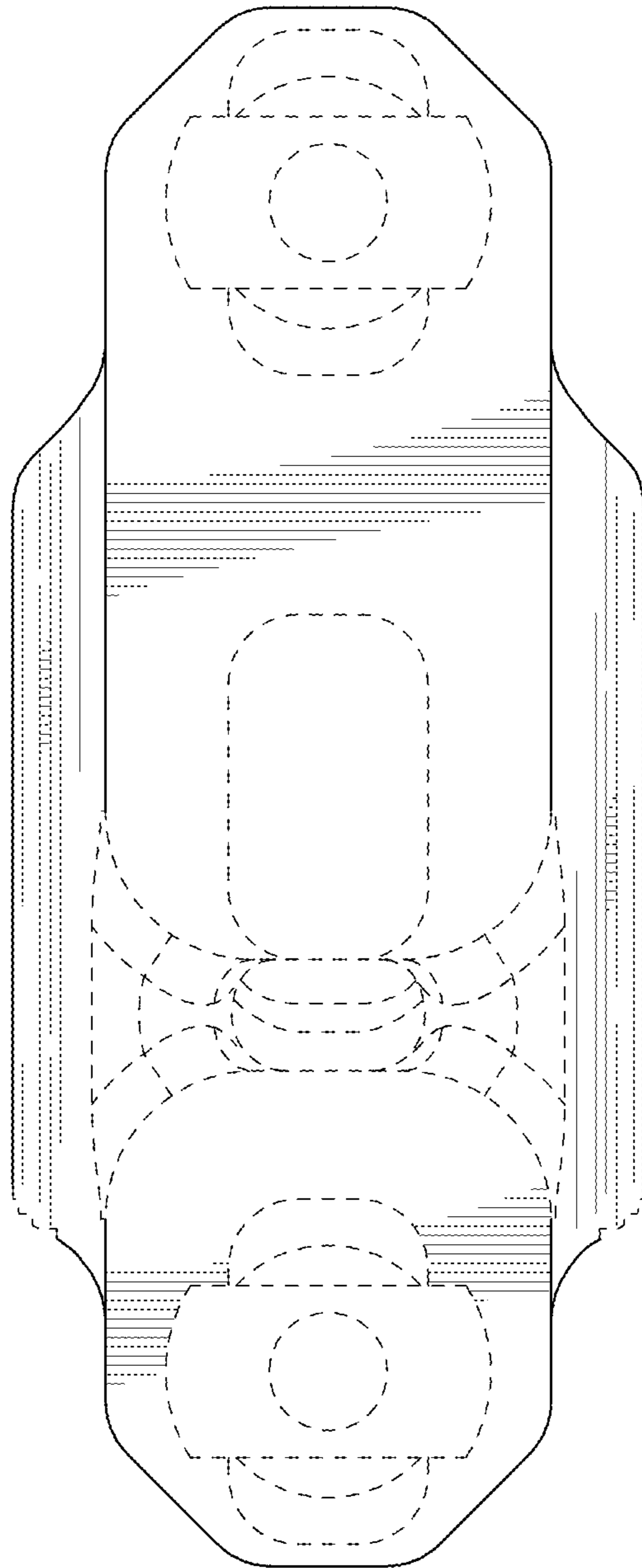
**FIG. 5**



**FIG. 6**



**FIG. 7**



**FIG. 8**