



US00D936612S

(12) **United States Design Patent**
Endo et al.

(10) **Patent No.:** **US D936,612 S**

(45) **Date of Patent:** **** Nov. 23, 2021**

(54) **ELECTRICAL CONNECTOR COVER**

(71) Applicant: **Dai-ichi Seiko Co., Ltd.**, Kyoto (JP)

(72) Inventors: **Takayoshi Endo**, Shizuoka (JP); **Shuji Touno**, Shizuoka (JP); **Takumi Matsunaga**, Shizuoka (JP)

(73) Assignee: **Dai-ichi Seiko Co., Ltd.**, Kyoto (JP)

(**) Term: **15 Years**

(21) Appl. No.: **29/627,573**

(22) Filed: **Nov. 28, 2017**

(30) **Foreign Application Priority Data**

Jul. 20, 2017 (JP) 2017-015581

(51) **LOC (13) Cl.** **13-03**

(52) **U.S. Cl.**
USPC **D13/156**

(58) **Field of Classification Search**
USPC D13/156, 158, 120, 123, 154, 159, 173,
D13/184, 199; D21/504; D8/353
CPC H01R 13/5213; H01R 13/424; H01R
13/436; H01R 13/443
See application file for complete search history.

(56) **References Cited**

U.S. PATENT DOCUMENTS

- 3,112,148 A * 11/1963 Wochner H02G 15/113
439/521
- D232,346 S * 8/1974 Cali D8/353
- D286,767 S * 11/1986 Eriksson D13/120
- 4,643,512 A * 2/1987 Prodel H01R 9/03
439/412
- 5,183,971 A * 2/1993 Lafosse H02B 1/21
174/129 B
- 5,480,312 A * 1/1996 Watanabe H01R 13/443
439/135
- D411,984 S * 7/1999 Wu D13/156

- D463,378 S * 9/2002 Allada D13/159
- 7,128,601 B2 * 10/2006 Suemitsu H01R 13/567
439/521
- D558,683 S * 1/2008 Pape D13/158
- D593,498 S * 6/2009 Mase D13/154
- 7,799,991 B1 * 9/2010 Advvey H01R 13/5213
174/50

(Continued)

FOREIGN PATENT DOCUMENTS

JP 749480 11/1998

Primary Examiner — Jennifer O King

(74) *Attorney, Agent, or Firm* — K&L Gates LLP; Louis C. Cullman; Georgia N. Keffalinos

(57) **CLAIM**

The ornamental design for an electrical connector cover, as shown and described.

DESCRIPTION

FIG. 1 is a front view of an electrical connector cover of our design.

FIG. 2 is a rear view of the electrical connector cover of FIG. 1.

FIG. 3 is a first side view of the electrical connector cover of FIG. 1.

FIG. 4 is a second side view of the electrical connector cover of FIG. 1.

FIG. 5 is a top view of the electrical connector cover of FIG. 1.

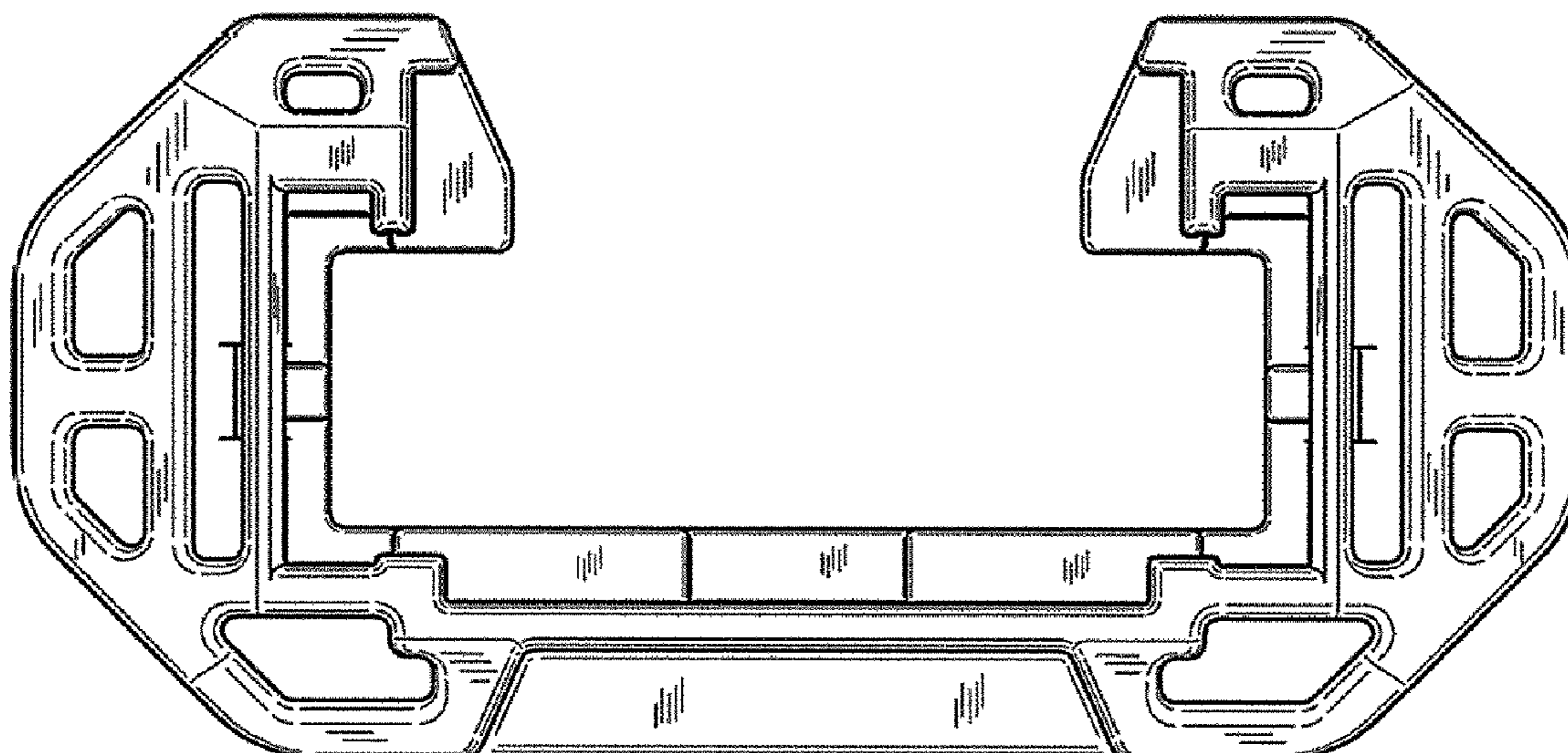
FIG. 6 is a bottom view of the electrical connector cover of FIG. 1.

FIG. 7 is a front perspective view of the electrical connector cover of FIG. 1; and,

FIG. 8 is a rear perspective view of the electrical connector cover of FIG. 1.

The nine recessed surfaces of the front face which are adjacent to the outer edges of the device are of the same plane.

1 Claim, 8 Drawing Sheets



(56)

References Cited

U.S. PATENT DOCUMENTS

D675,166	S *	1/2013	Hopper	D13/156
D724,028	S *	3/2015	Norman	D13/123
D758,321	S *	6/2016	Byrne	D13/156
D771,574	S *	11/2016	Hultquist	D13/156
D772,815	S *	11/2016	Chen	D13/118
D773,394	S *	12/2016	Marinelli	D13/110
D797,204	S *	9/2017	Liu	D21/504
10,151,890	B2 *	12/2018	Lipke	G02B 6/3895
10,153,582	B2 *	12/2018	Sato	H01R 13/58
D906,259	S *	12/2020	Kurita	D13/156

* cited by examiner

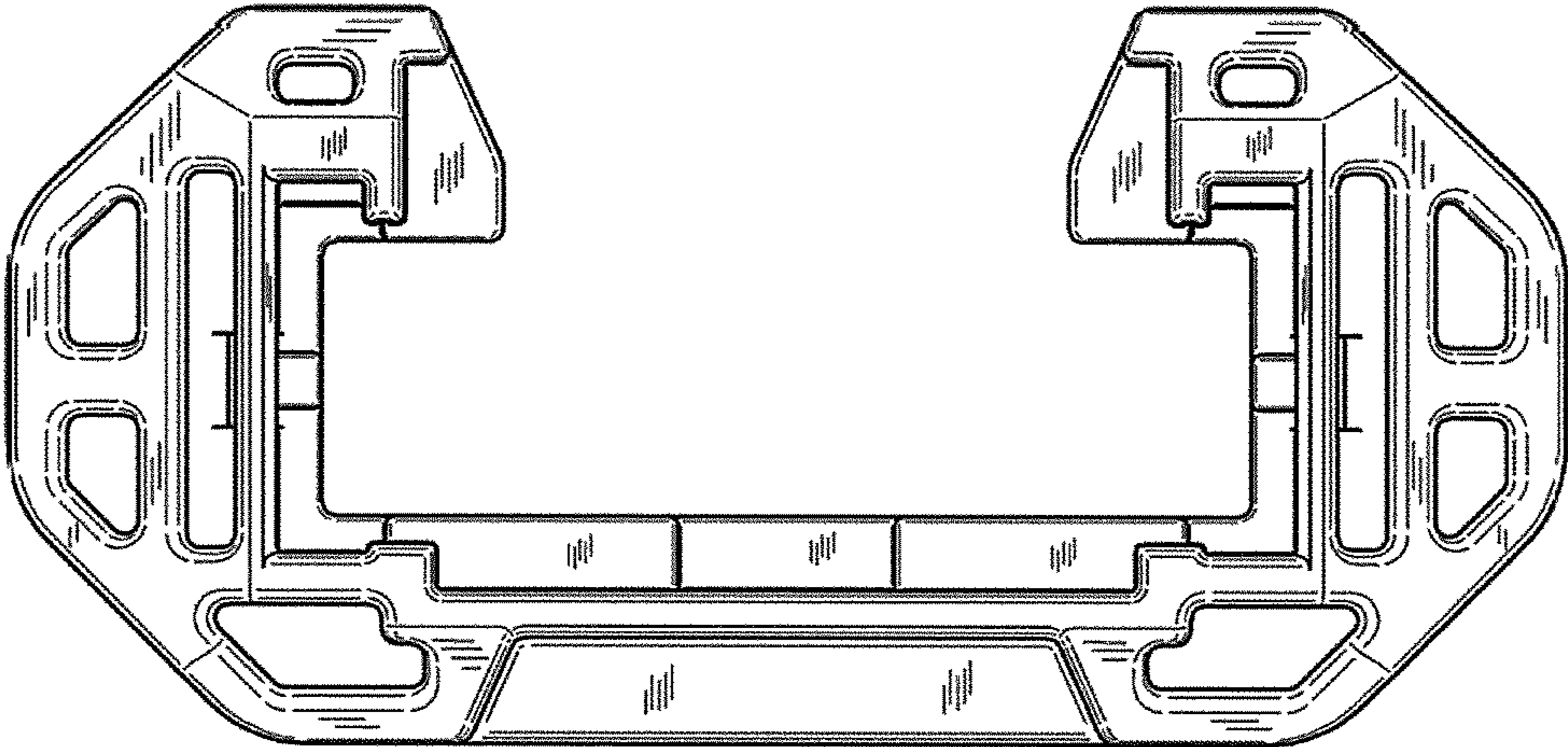


FIG. 1

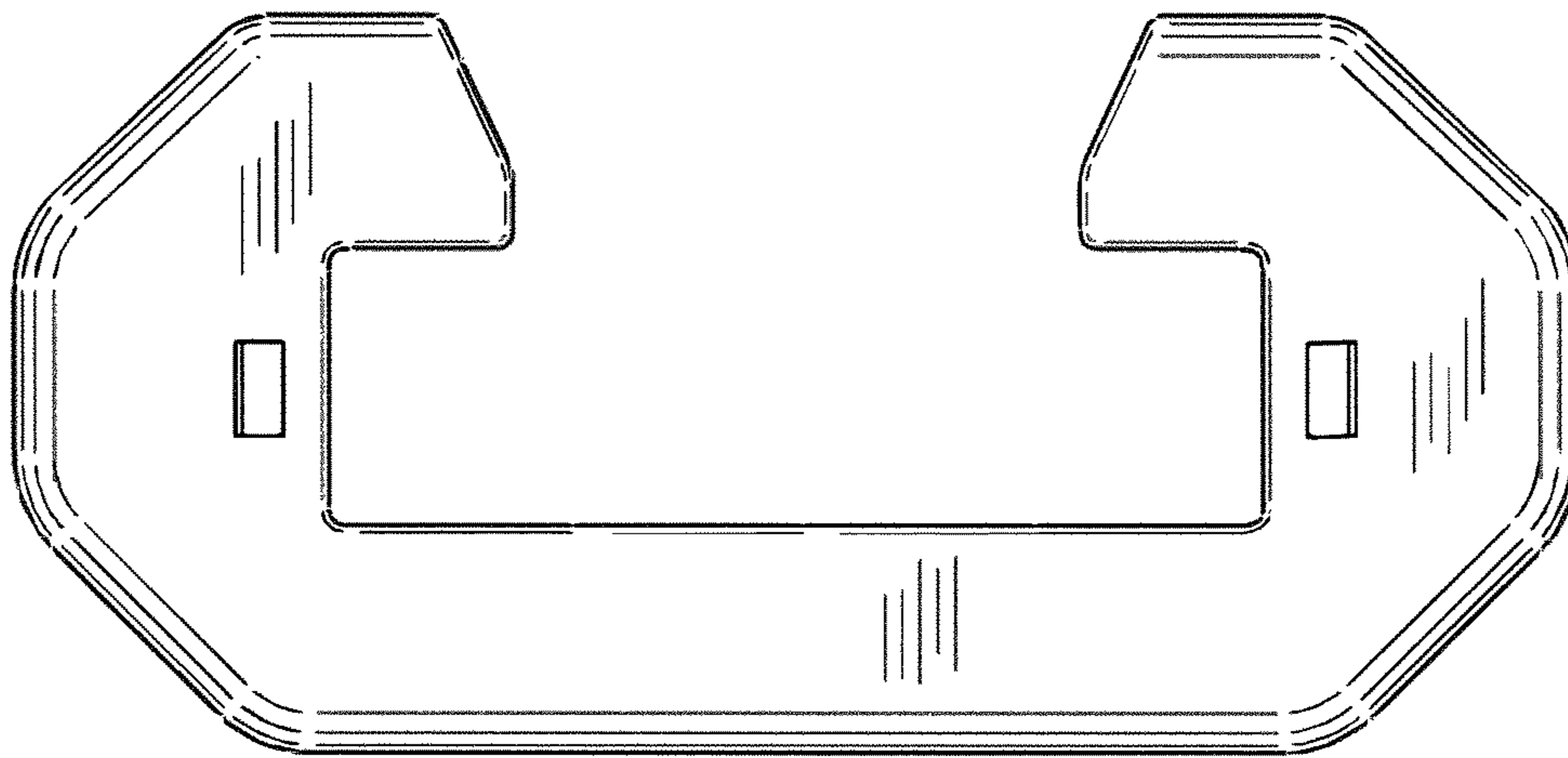


FIG. 2

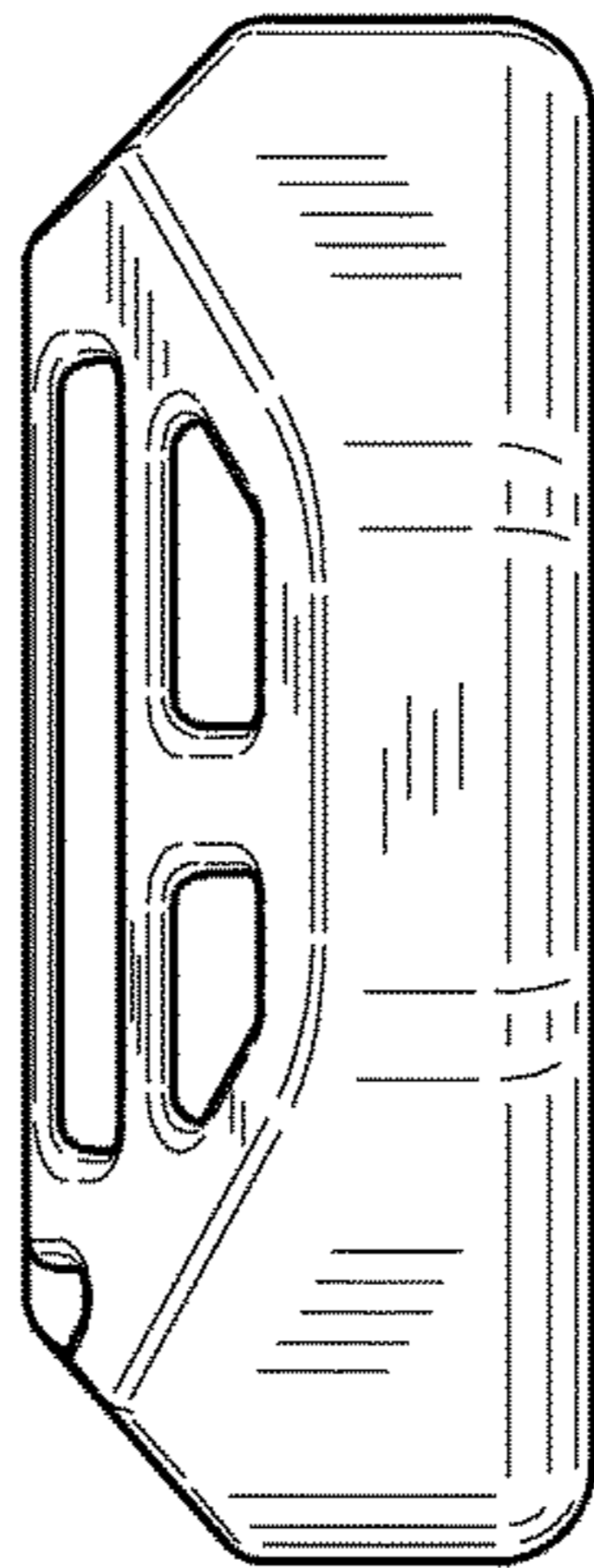


FIG. 3

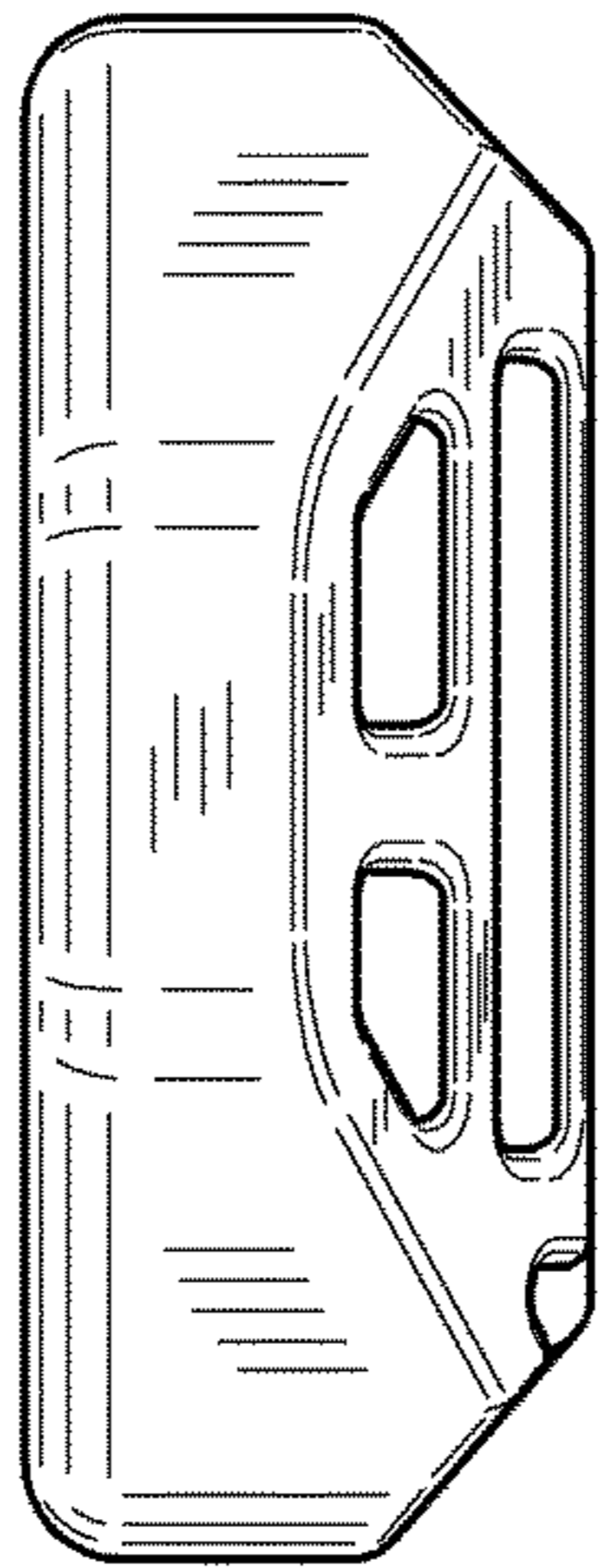


FIG. 4

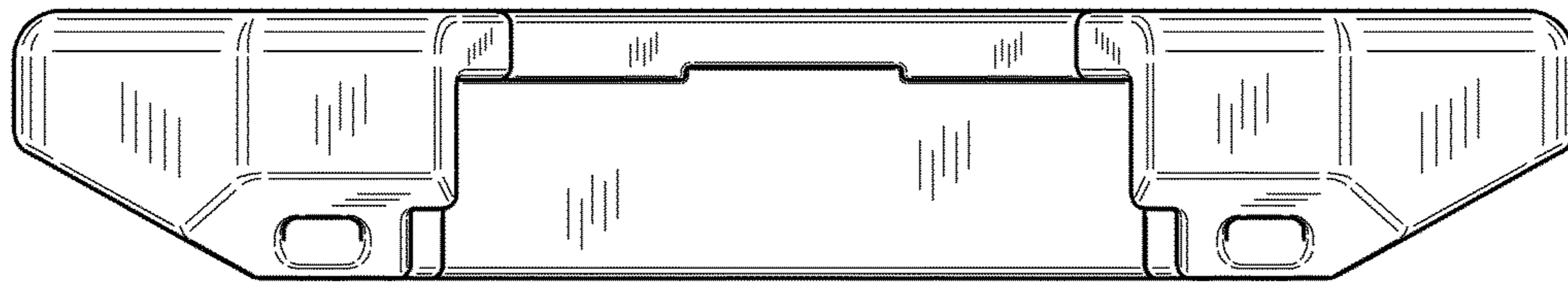


FIG. 5

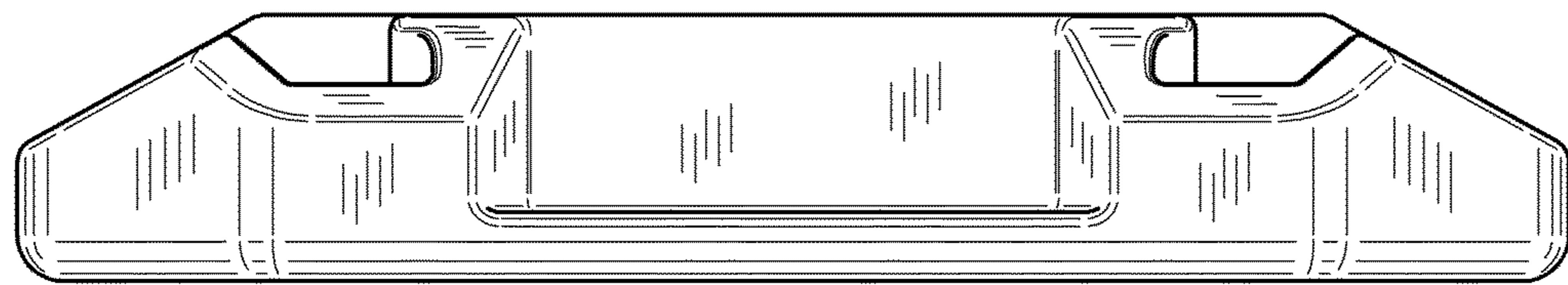


FIG. 6

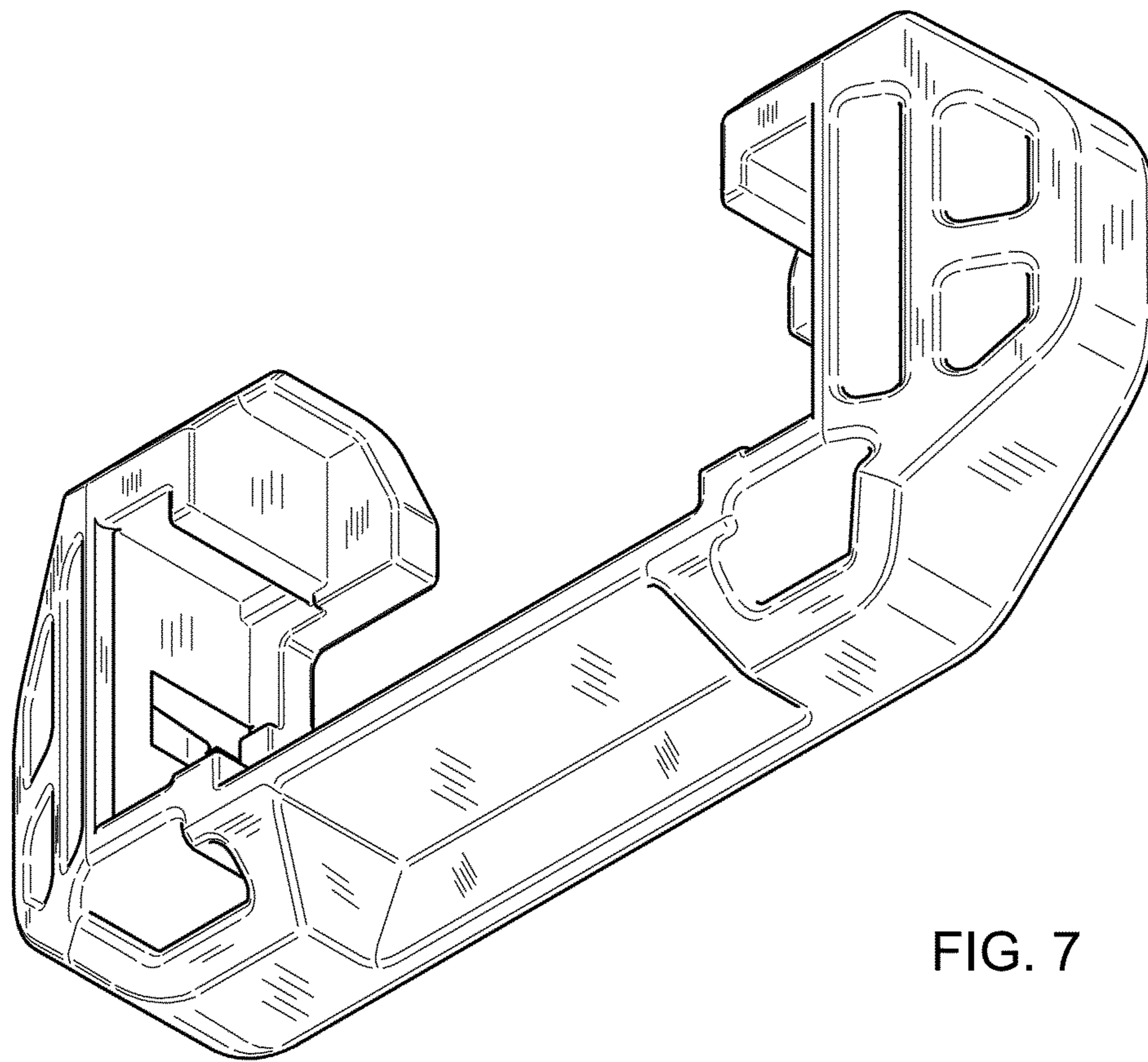


FIG. 7

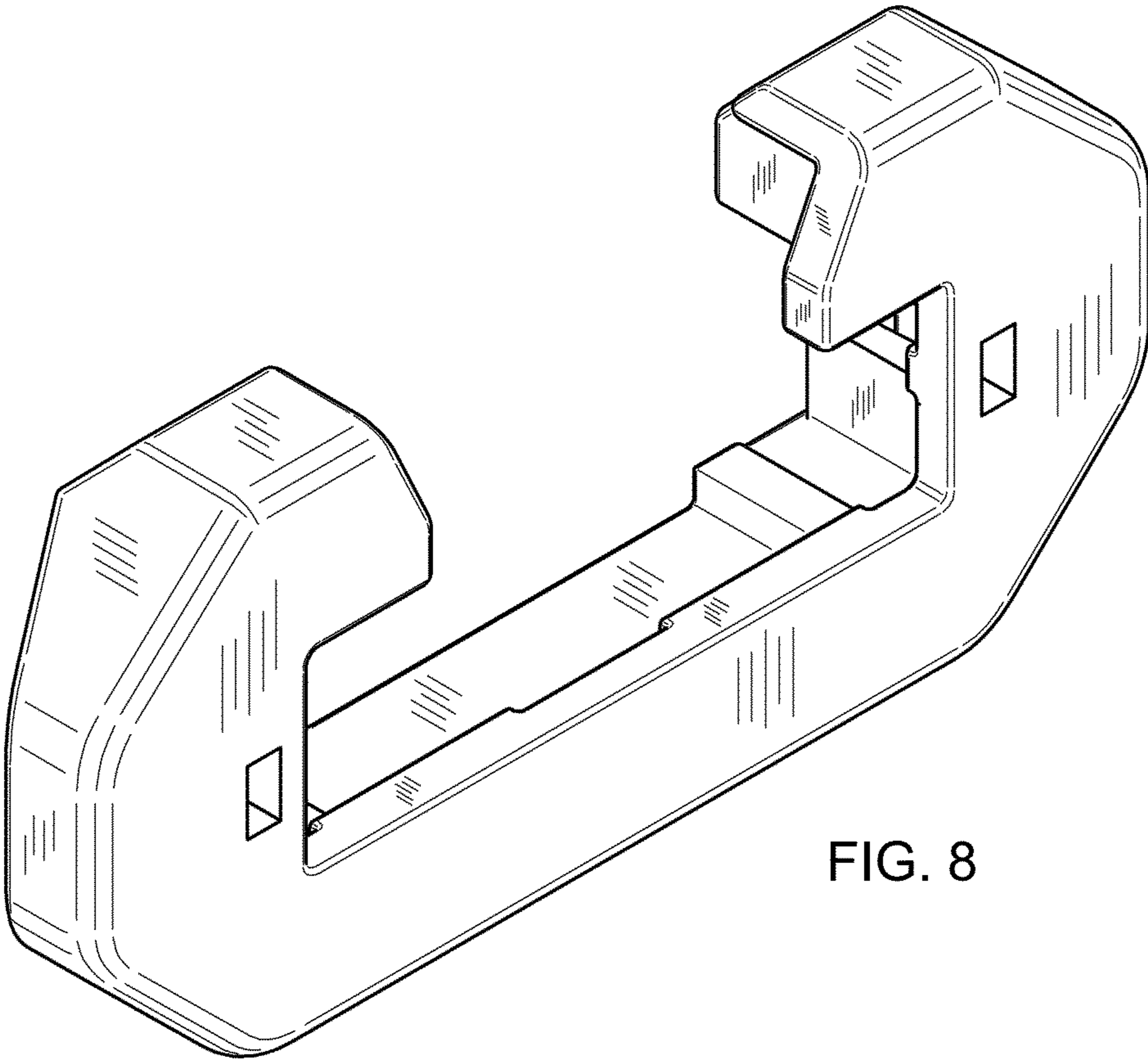


FIG. 8