



US00D936607S

(12) **United States Design Patent** (10) **Patent No.:** **US D936,607 S**  
**Meng et al.** (45) **Date of Patent:** **\*\* Nov. 23, 2021**

(54) **CONTACT FOR AN ELECTRICAL CONNECTOR**

(71) Applicant: **ADVANCED-CONNECTEK INC.**,  
New Taipei (TW)

(72) Inventors: **Ta-Teh Meng**, New Taipei (TW); **Mei Shi**, New Taipei (TW); **Ya-Ping Liang**,  
New Taipei (TW); **Ping Shi**, New Taipei (TW); **Meng Liu**, New Taipei (TW); **Jing-Zhe Wang**, New Taipei (TW)

(73) Assignee: **ADVANCED-CONNECTEK INC.**,  
New Taipei (TW)

(\*\*) Term: **15 Years**

(21) Appl. No.: **29/715,060**

(22) Filed: **Nov. 27, 2019**

(30) **Foreign Application Priority Data**

May 29, 2019 (CN) ..... 201930271000.9

(51) **LOC (13) Cl.** ..... **13-03**

(52) **U.S. Cl.**  
USPC ..... **D13/154**

(58) **Field of Classification Search**  
USPC ..... D13/154, 146, 147, 133; D14/432, 433, D14/438  
CPC ..... H01R 12/7017; H01R 12/7023; H01R 12/7029; H01R 12/7064; H01R 12/71; H01R 12/712; H01R 12/716; H01R 13/02; H01R 13/04; H01R 13/20; H01R 13/405; H01R 13/41; H01R 13/42; H01R 13/426; H01R 13/514; H01R 13/642  
See application file for complete search history.

(56) **References Cited**

**U.S. PATENT DOCUMENTS**

D480,361 S \* 10/2003 Lee ..... D13/133  
D614,582 S \* 4/2010 Ye ..... D13/154

D614,583 S \* 4/2010 Wang ..... D13/154  
D633,050 S \* 2/2011 Truskett ..... D13/154  
D641,324 S \* 7/2011 Svelnis ..... D13/154  
D721,040 S \* 1/2015 Watanabe ..... D13/147  
D737,218 S \* 8/2015 Yoshida ..... D13/154  
D758,971 S \* 6/2016 Arichika ..... D13/147  
D877,704 S \* 3/2020 Takenaga ..... D13/147  
2015/0140841 A1\* 5/2015 Watanabe ..... H01R 43/18  
439/74  
2017/0018868 A1\* 1/2017 Lee ..... H01R 12/716  
(Continued)

**FOREIGN PATENT DOCUMENTS**

CN 302937097 \* 9/2014  
CN 304683268 \* 6/2018  
KR 3009454520003 \* 2/2018

*Primary Examiner* — Lilyana Bekic

*Assistant Examiner* — Lee D. Starr

(74) *Attorney, Agent, or Firm* — Muncy, Geissler, Olds & Lowe. P.C.

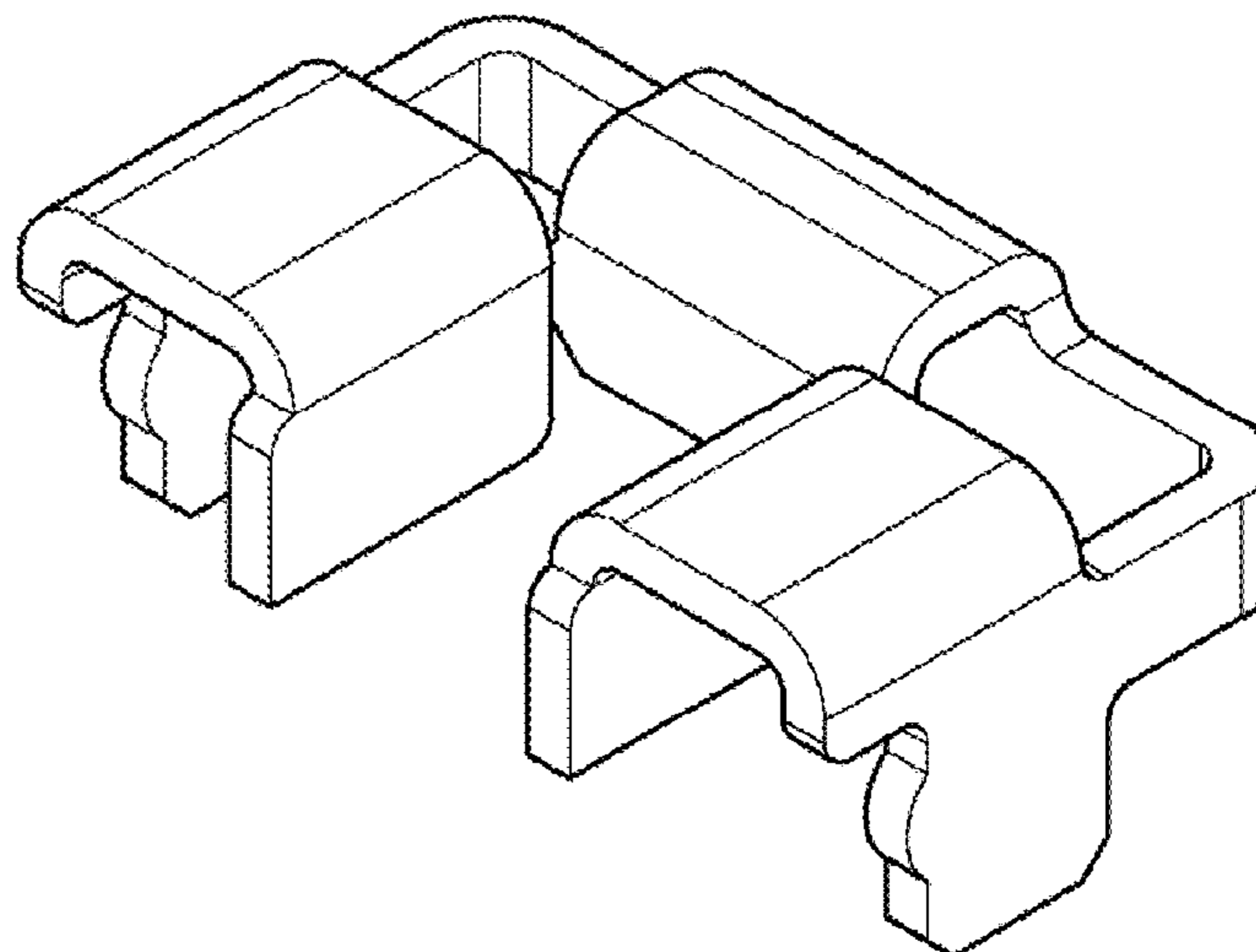
(57) **CLAIM**

The ornamental design for a contact for an electrical connector, as shown and described.

**DESCRIPTION**

FIG. 1 is a top perspective view of a contact for an electrical connector showing our new design;  
FIG. 2 is a front elevational view thereof;  
FIG. 3 is a rear elevational view thereof;  
FIG. 4 is a left side elevational view thereof;  
FIG. 5 is a right side elevational view thereof;  
FIG. 6 is a top plan view thereof;  
FIG. 7 is a bottom plan view thereof; and,  
FIG. 8 is a perspective view of the contact for an electrical connector shown in an environment of use.  
The broken lines in FIG. 8 depict environmental structure and form no part of the claimed design.

**1 Claim, 5 Drawing Sheets**



(56)

**References Cited**

U.S. PATENT DOCUMENTS

2020/0136284 A1\* 4/2020 Meng ..... H01R 12/716  
2020/0381857 A1\* 12/2020 Meng ..... H01R 13/631

\* cited by examiner

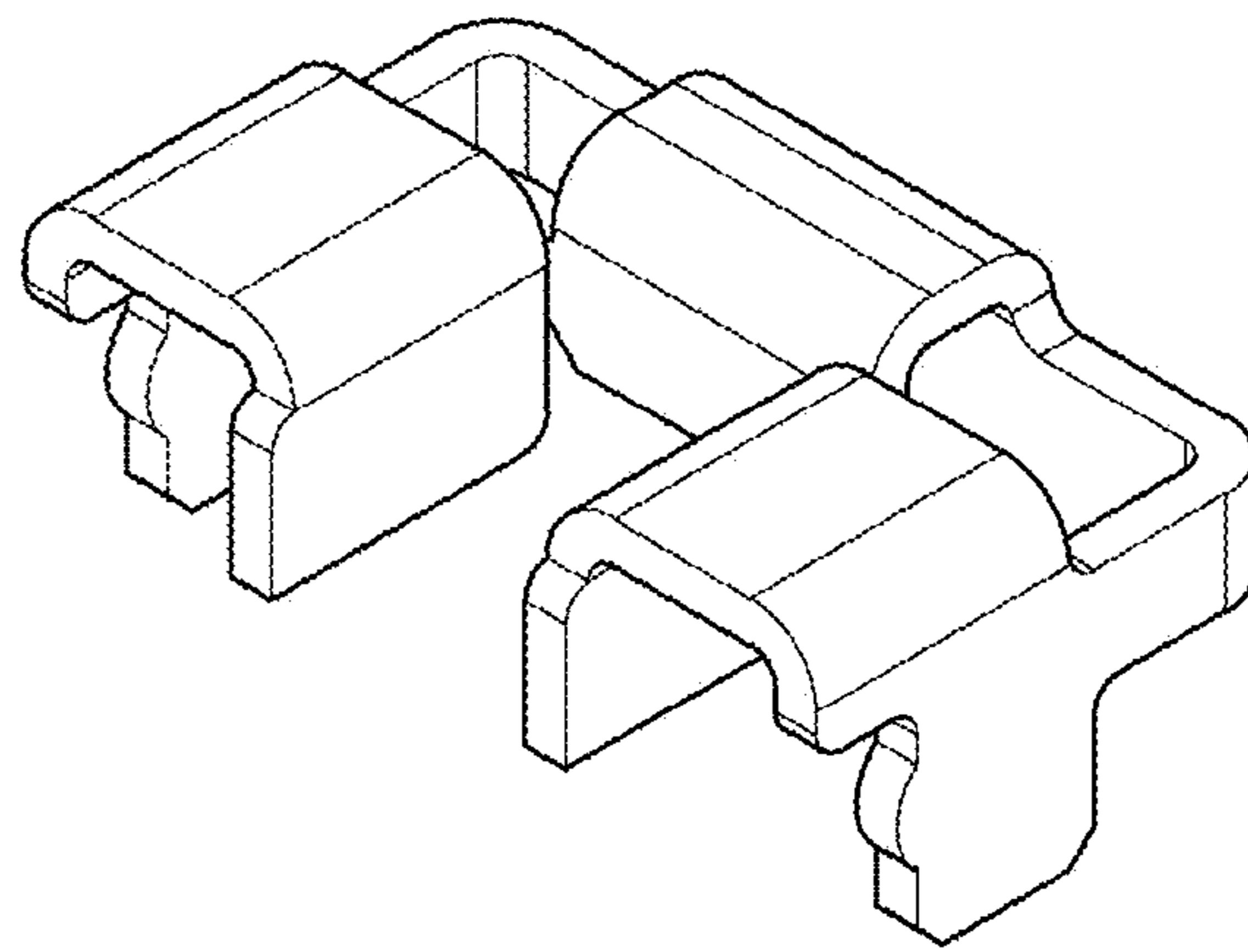


FIG. 1

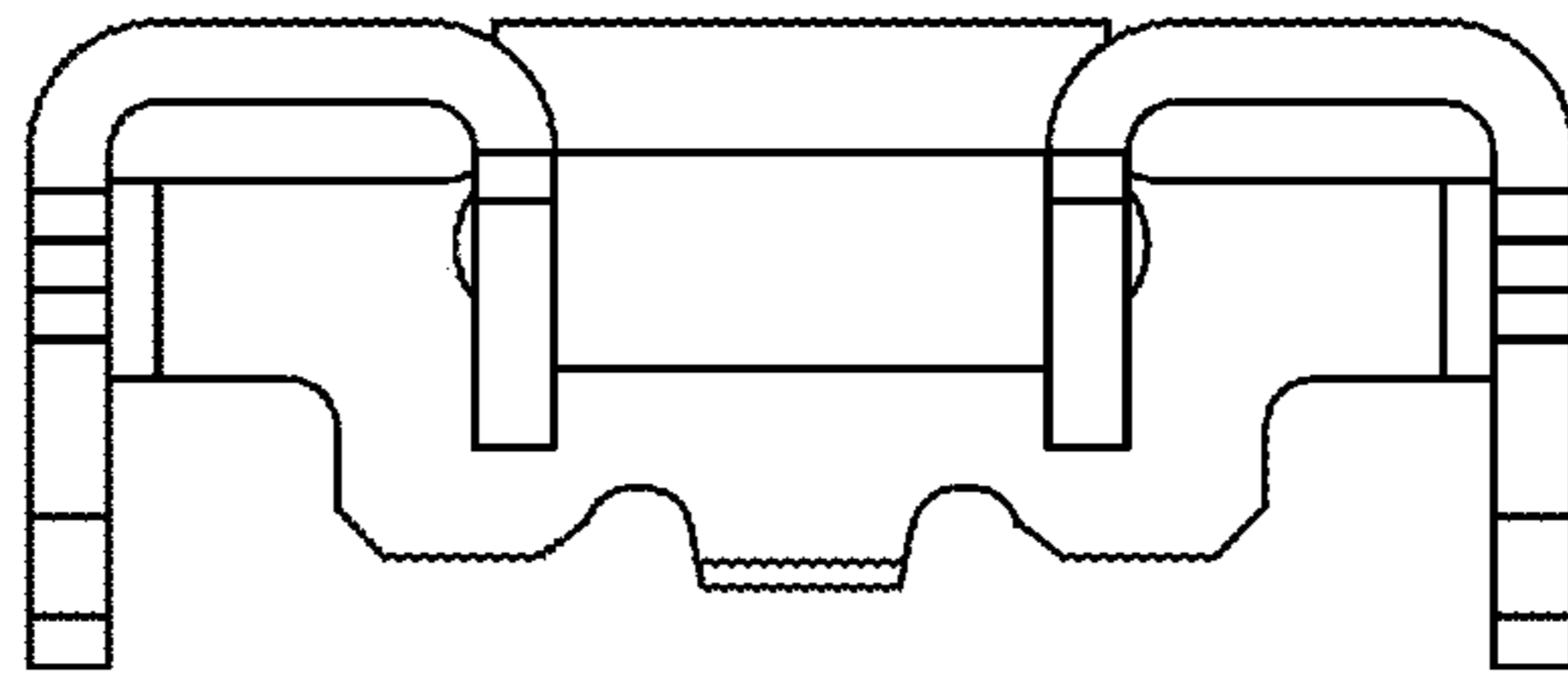


FIG. 2

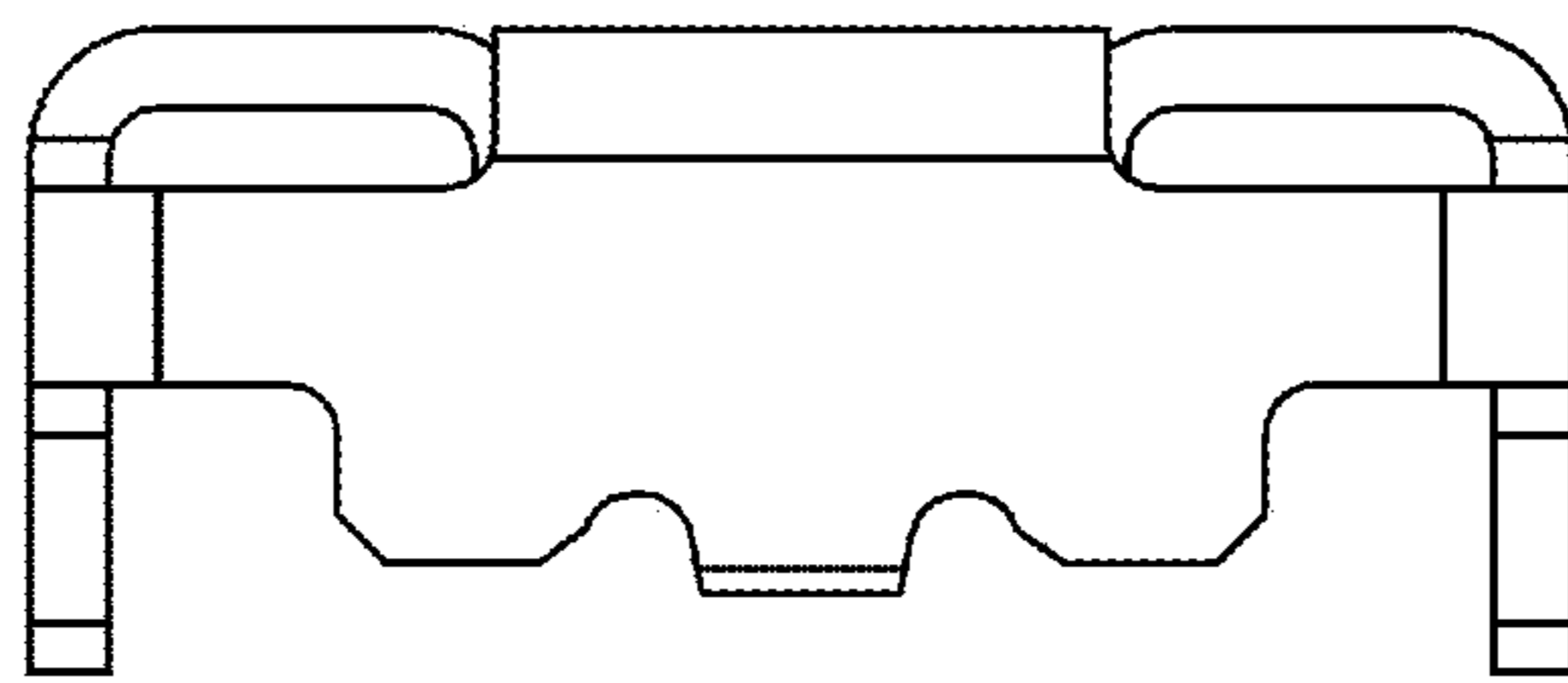


FIG. 3

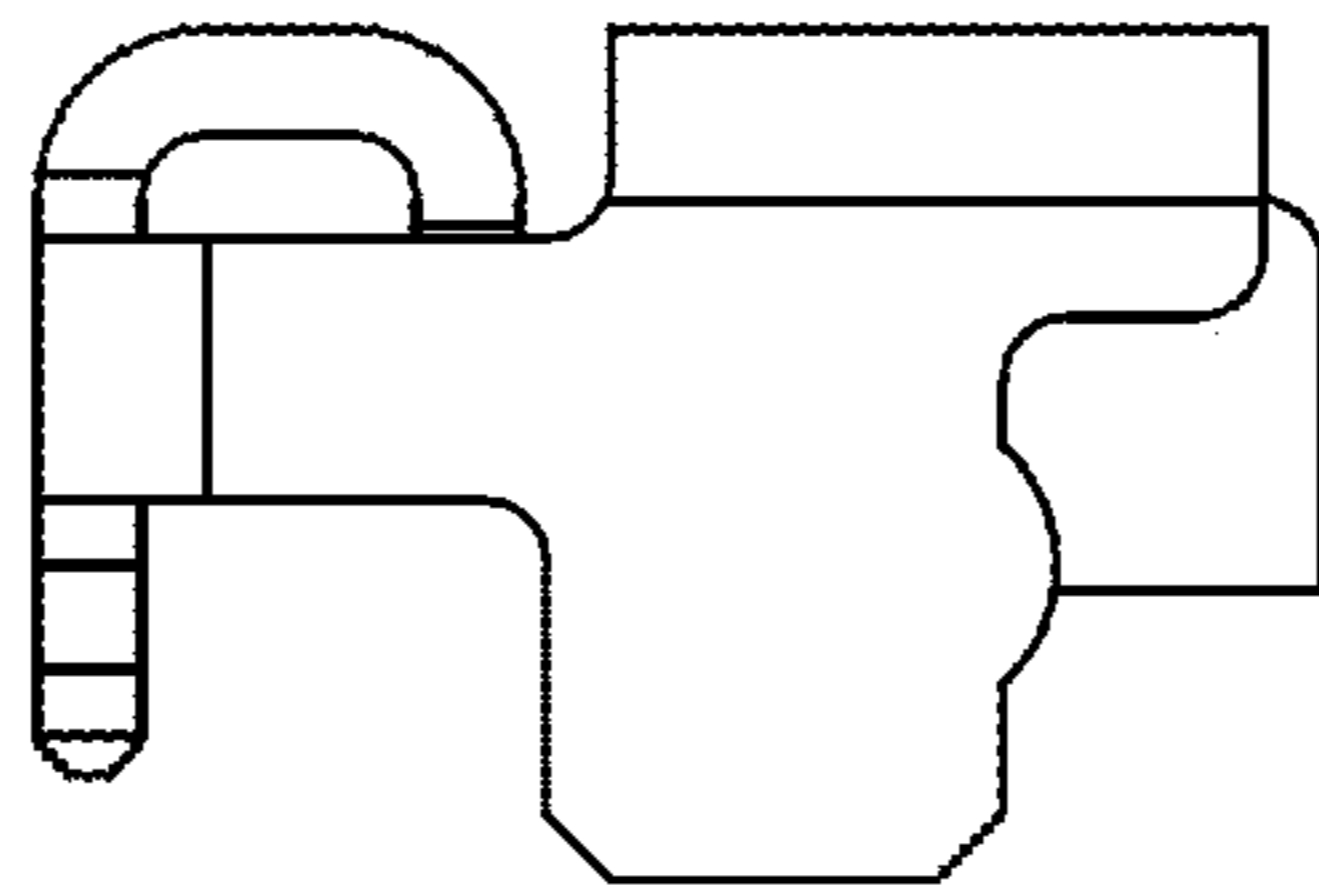


FIG. 4

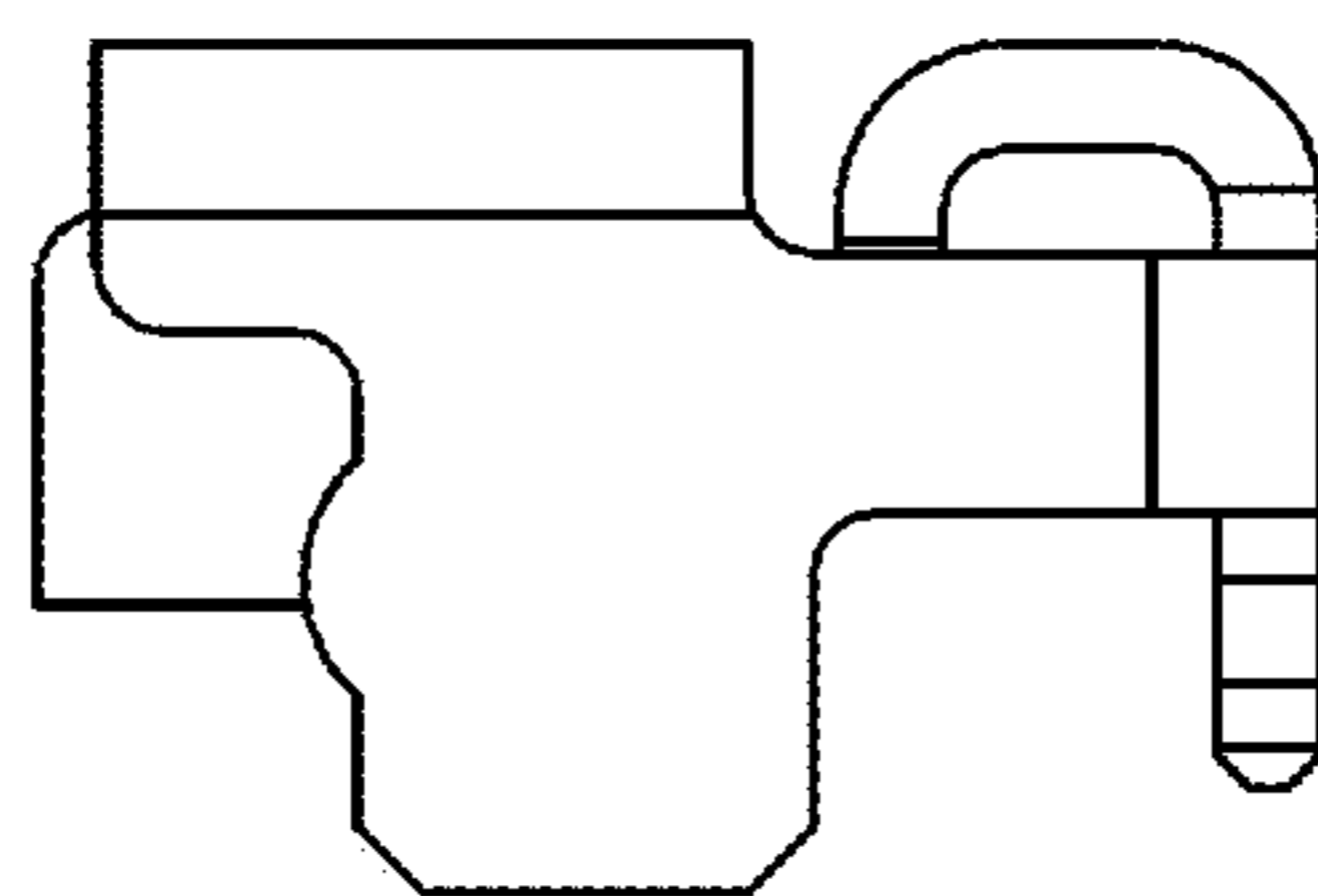


FIG. 5

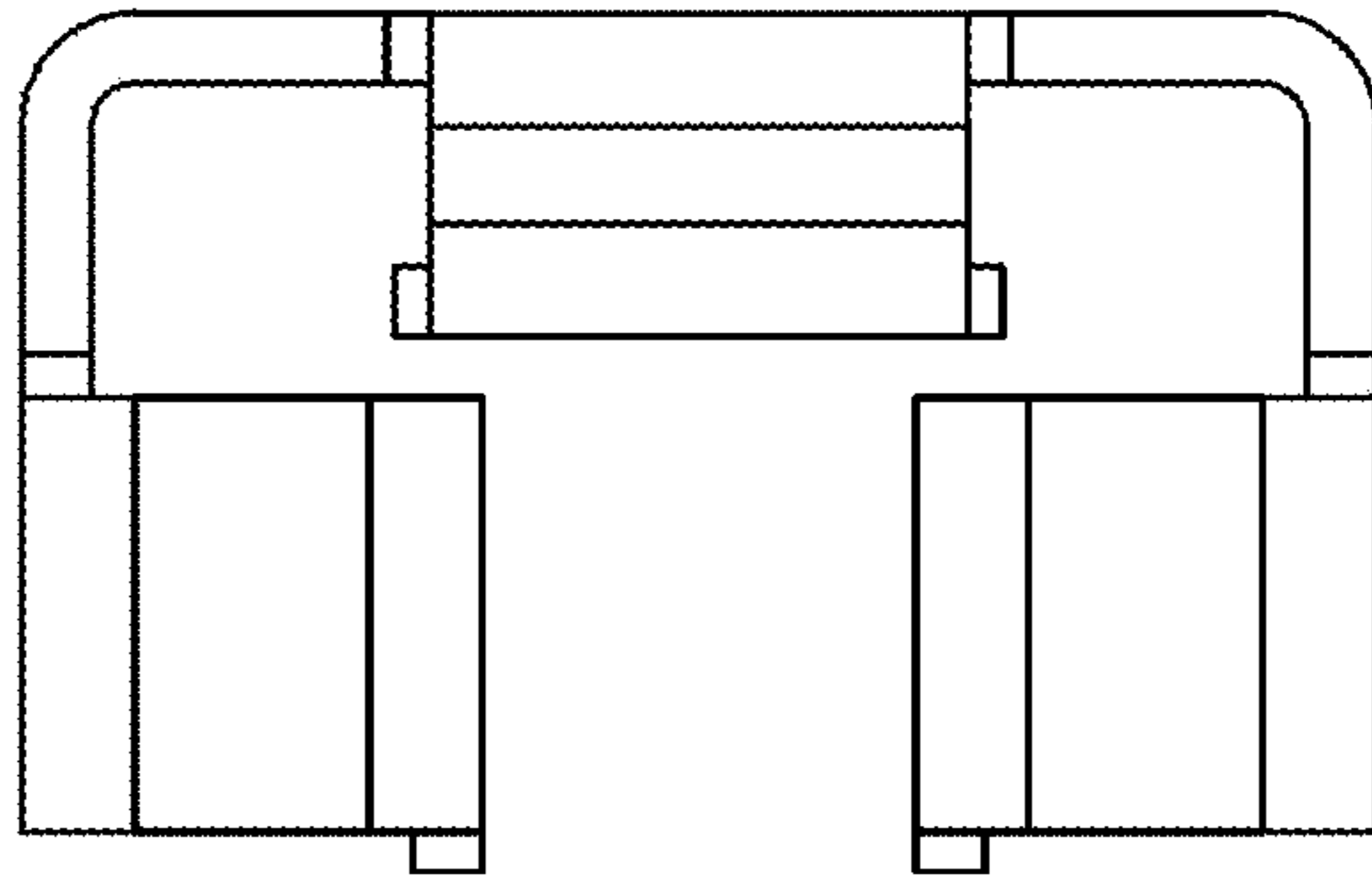


FIG. 6

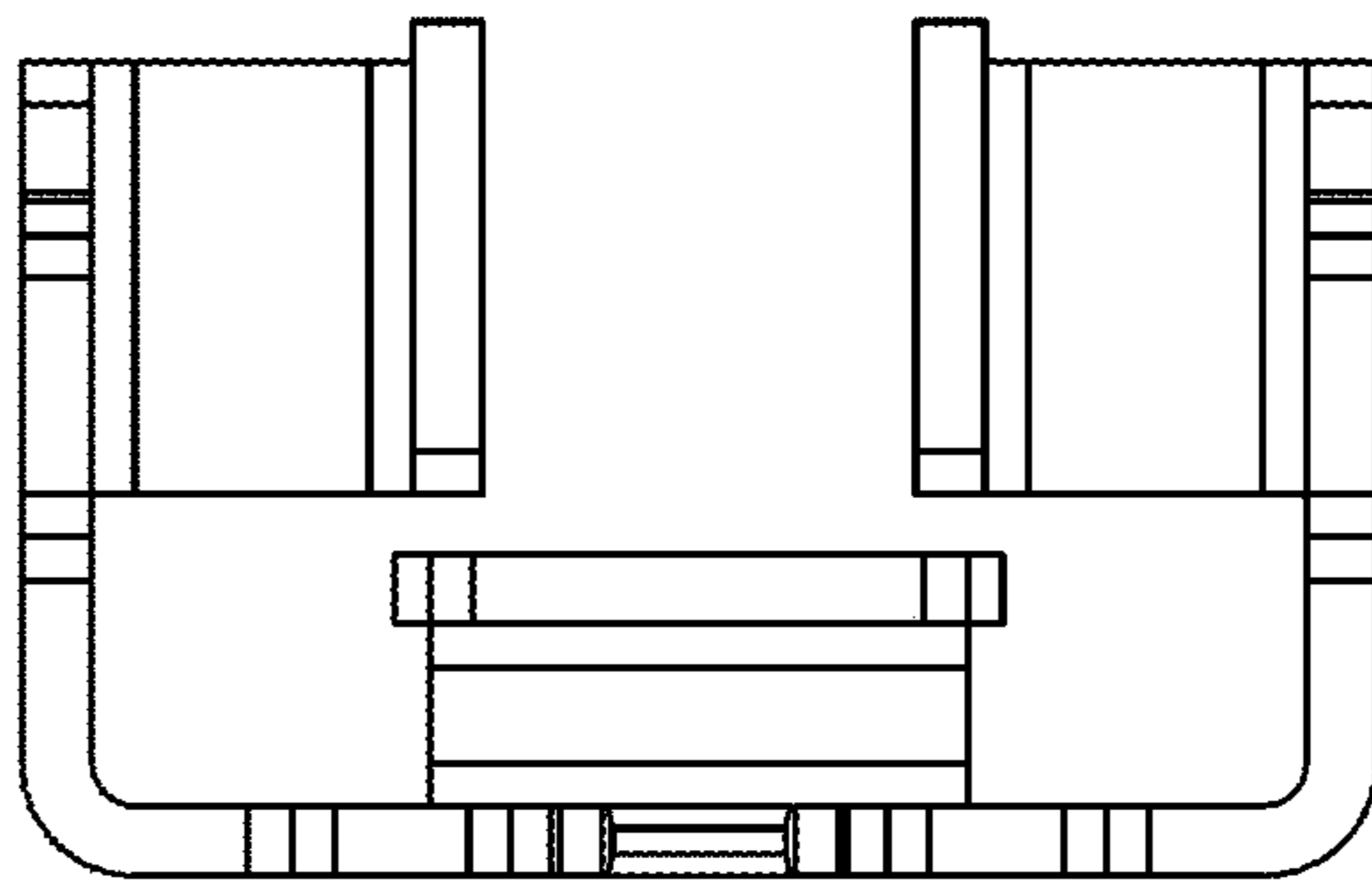


FIG. 7

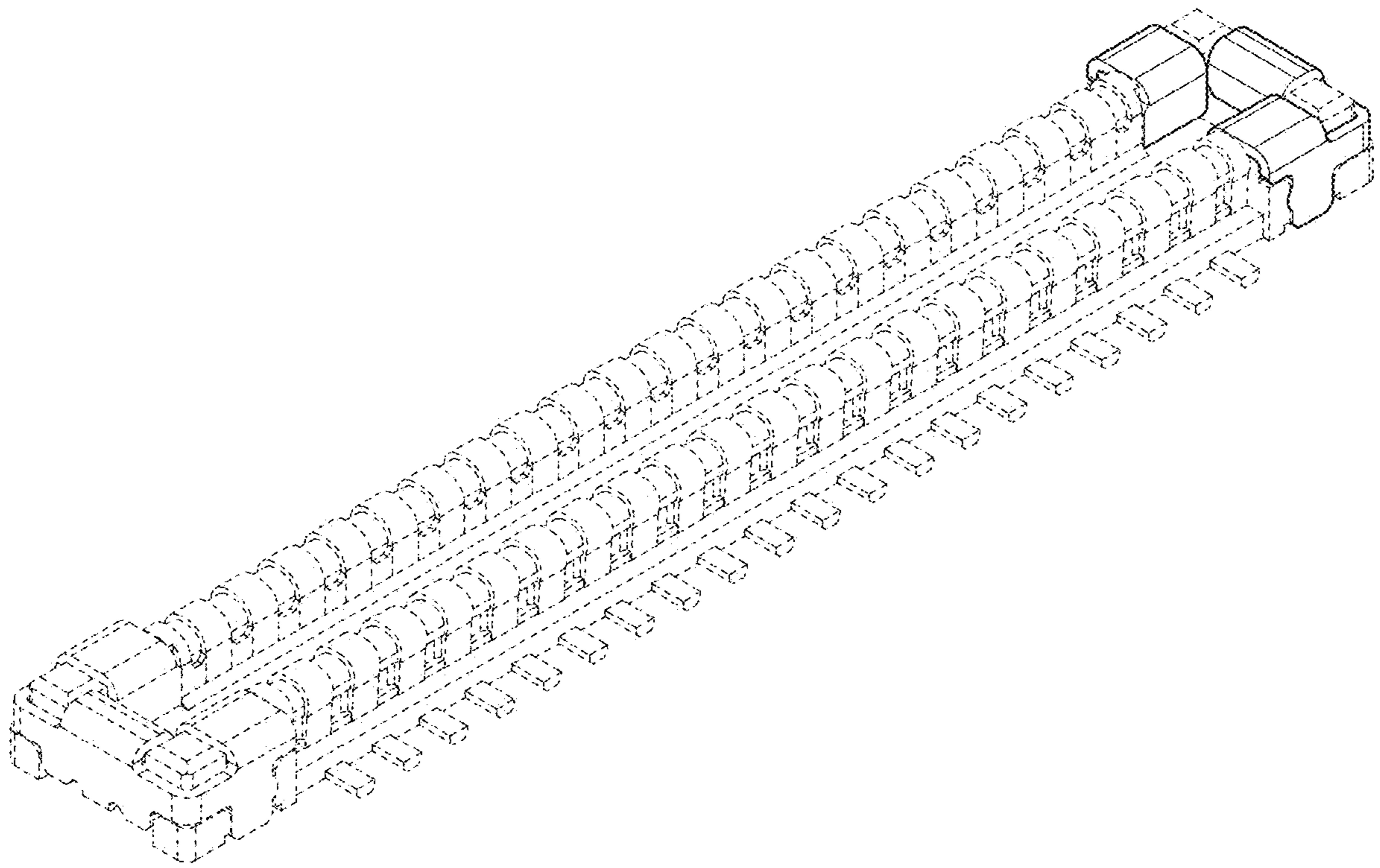


FIG. 8