



US00D936606S

(12) **United States Design Patent** (10) **Patent No.:** **US D936,606 S**
Meng et al. (45) **Date of Patent:** **** Nov. 23, 2021**

(54) **CONTACT FOR AN ELECTRICAL CONNECTOR**

(71) Applicant: **ADVANCED-CONNECTEK INC.**,
New Taipei (TW)

(72) Inventors: **Ta-Teh Meng**, New Taipei (TW); **Mei Shi**, New Taipei (TW); **Ya-Ping Liang**, New Taipei (TW); **Ping Shi**, New Taipei (TW); **Meng Liu**, New Taipei (TW); **Jing-Zhe Wang**, New Taipei (TW)

(73) Assignee: **ADVANCED-CONNECTEK INC.**,
New Taipei (TW)

(**) Term: **15 Years**

(21) Appl. No.: **29/714,999**

(22) Filed: **Nov. 27, 2019**

(30) **Foreign Application Priority Data**

May 29, 2019 (CN) 201930270704.4

(51) **LOC (13) Cl.** **13-03**

(52) **U.S. Cl.**
USPC **D13/154**

(58) **Field of Classification Search**
USPC D13/154, 146, 147, 133; D14/432, 433, D14/438
CPC H01R 12/7017; H01R 12/7023; H01R 12/7029; H01R 12/7064; H01R 12/71; H01R 12/712; H01R 12/716; H01R 13/02; H01R 13/04; H01R 13/20; H01R 13/405; H01R 13/41; H01R 13/42; H01R 13/426; H01R 13/514; H01R 13/642
See application file for complete search history.

(56) **References Cited**

U.S. PATENT DOCUMENTS

D480,361 S * 10/2003 Lee D13/133
D614,582 S * 4/2010 Ye D13/154

D614,583 S * 4/2010 Wang D13/154
D633,050 S * 2/2011 Truskett D13/154
D641,324 S * 7/2011 Svelnis D13/154
D721,040 S * 1/2015 Watanabe D13/147
D737,218 S * 8/2015 Yoshida D13/154
D758,971 S * 6/2016 Arichika D13/147
D877,704 S * 3/2020 Takenaga D13/147
2015/0140841 A1* 5/2015 Watanabe H01R 43/18
439/74

(Continued)

FOREIGN PATENT DOCUMENTS

CN 302937097 * 9/2014
CN 304683268 * 6/2018
KR 3009454520003 * 2/2018

Primary Examiner — Lilyana Bekic

Assistant Examiner — Lee D. Starr

(74) *Attorney, Agent, or Firm* — Muncy, Geissler, Olds & Lowe, P.C.

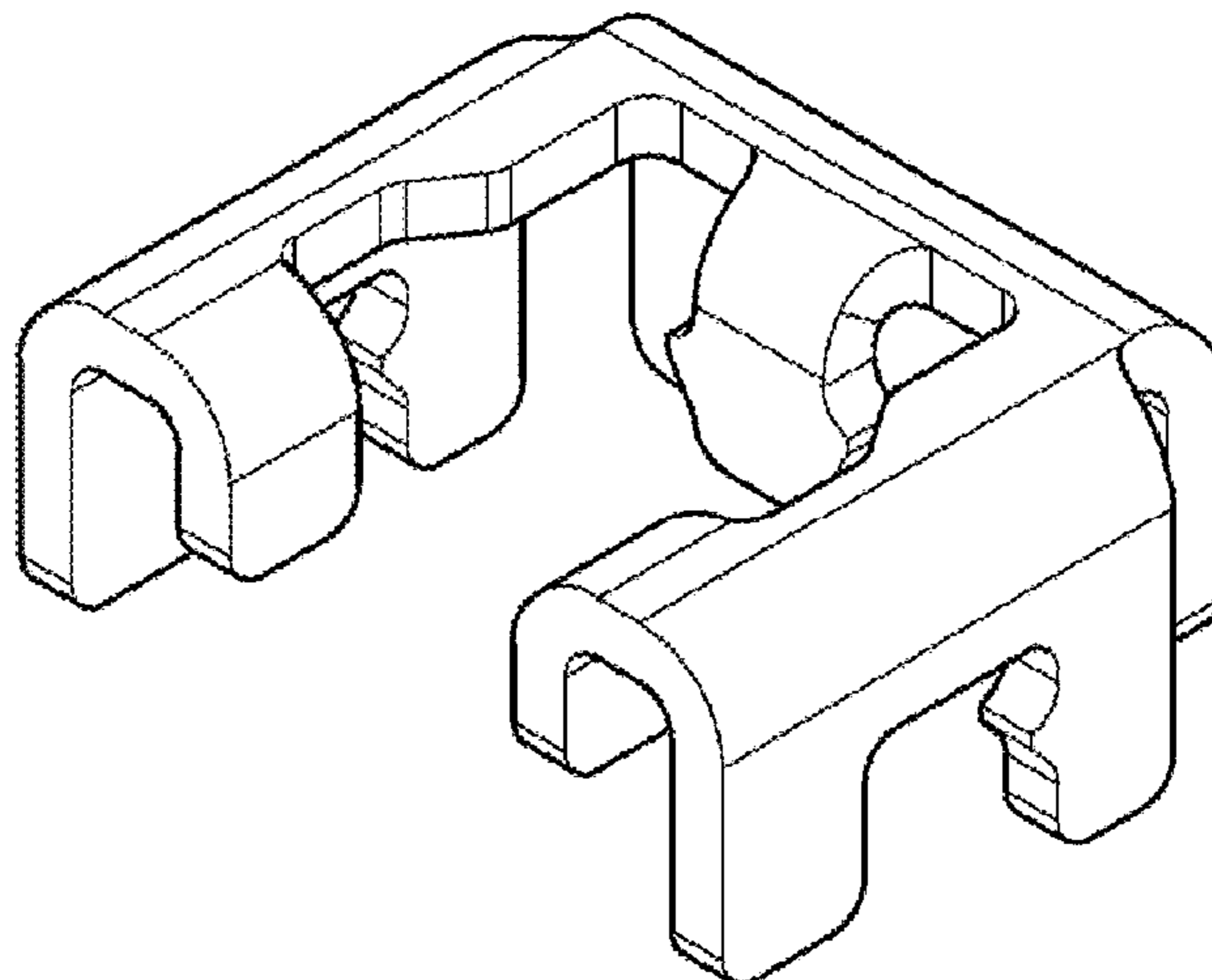
(57) **CLAIM**

The ornamental design for a contact for an electrical connector, as shown and described.

DESCRIPTION

FIG. 1 is a top perspective view of a contact for an electrical connector showing our new design;
FIG. 2 is a front elevational view thereof;
FIG. 3 is a rear elevational view thereof;
FIG. 4 is a left side elevational view thereof;
FIG. 5 is a right side elevational view thereof;
FIG. 6 is a top plan view thereof;
FIG. 7 is a bottom plan view thereof; and,
FIG. 8 is a perspective view of the contact for an electrical connector shown in an environment of use.
The broken lines in FIG. 8 depict environmental structure and form no part of the claimed design.

1 Claim, 5 Drawing Sheets



(56)

References Cited

U.S. PATENT DOCUMENTS

2017/0018868 A1* 1/2017 Lee H01R 12/716
2020/0136284 A1* 4/2020 Meng H01R 12/716

* cited by examiner

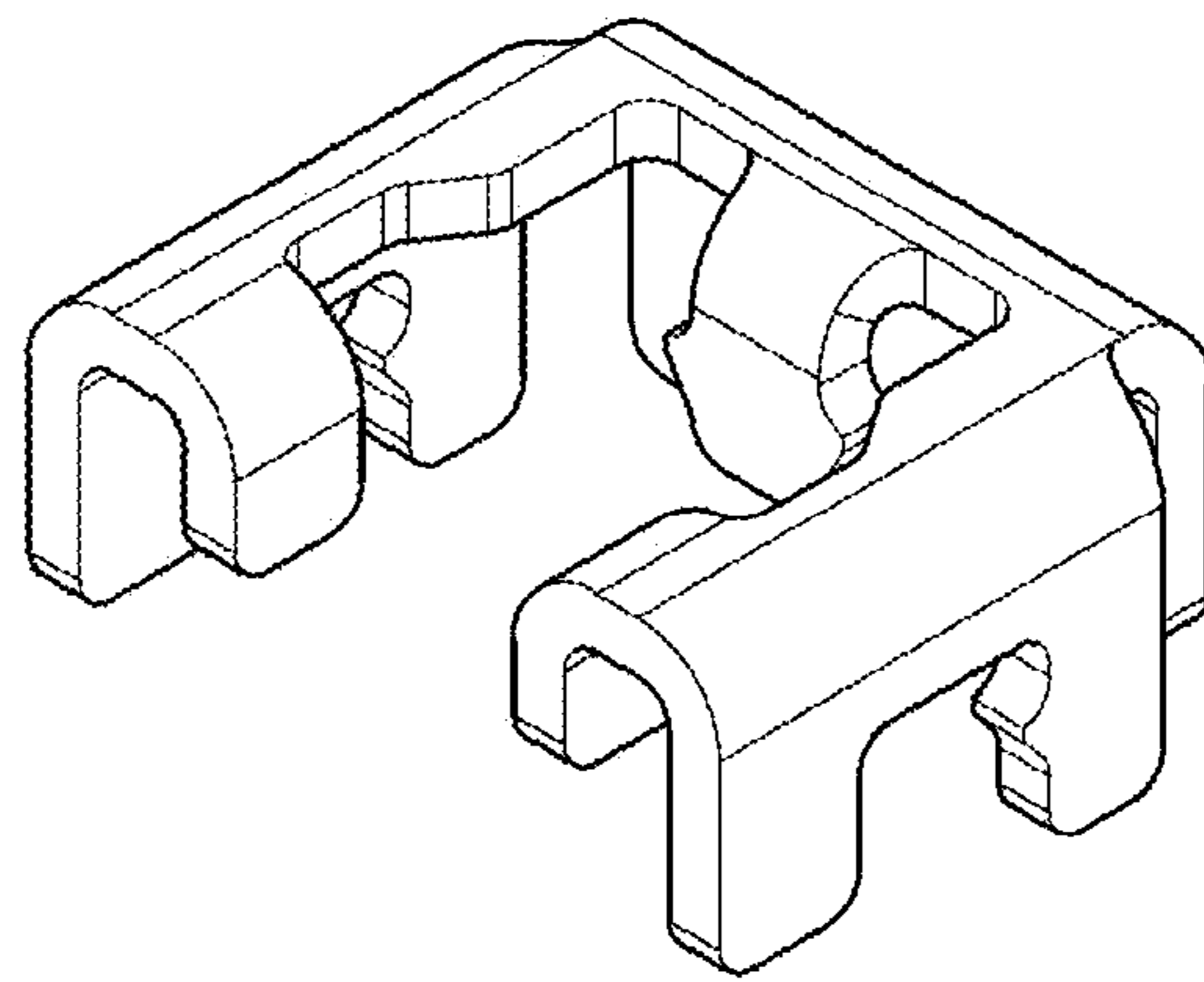


FIG. 1

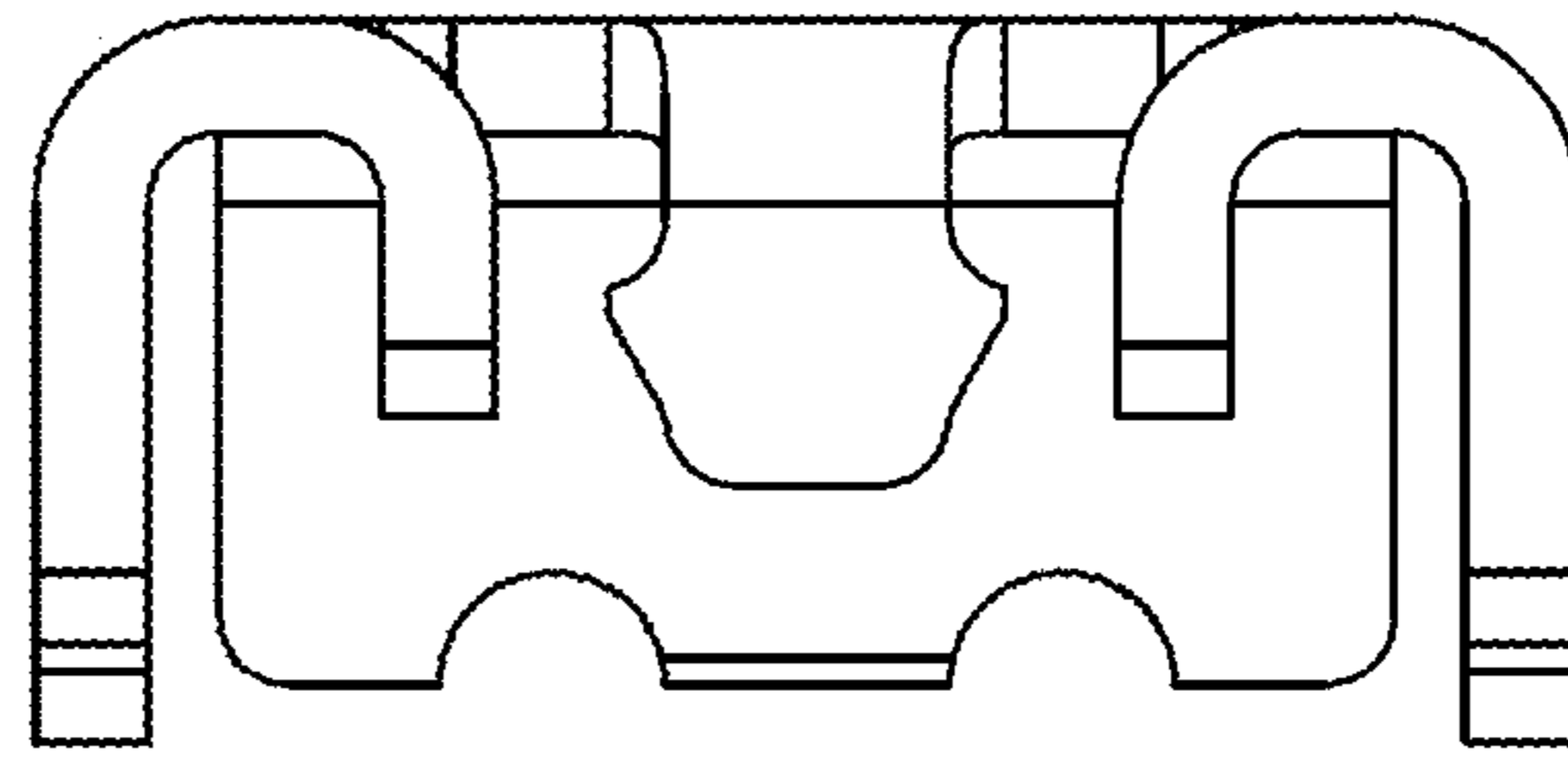


FIG. 2

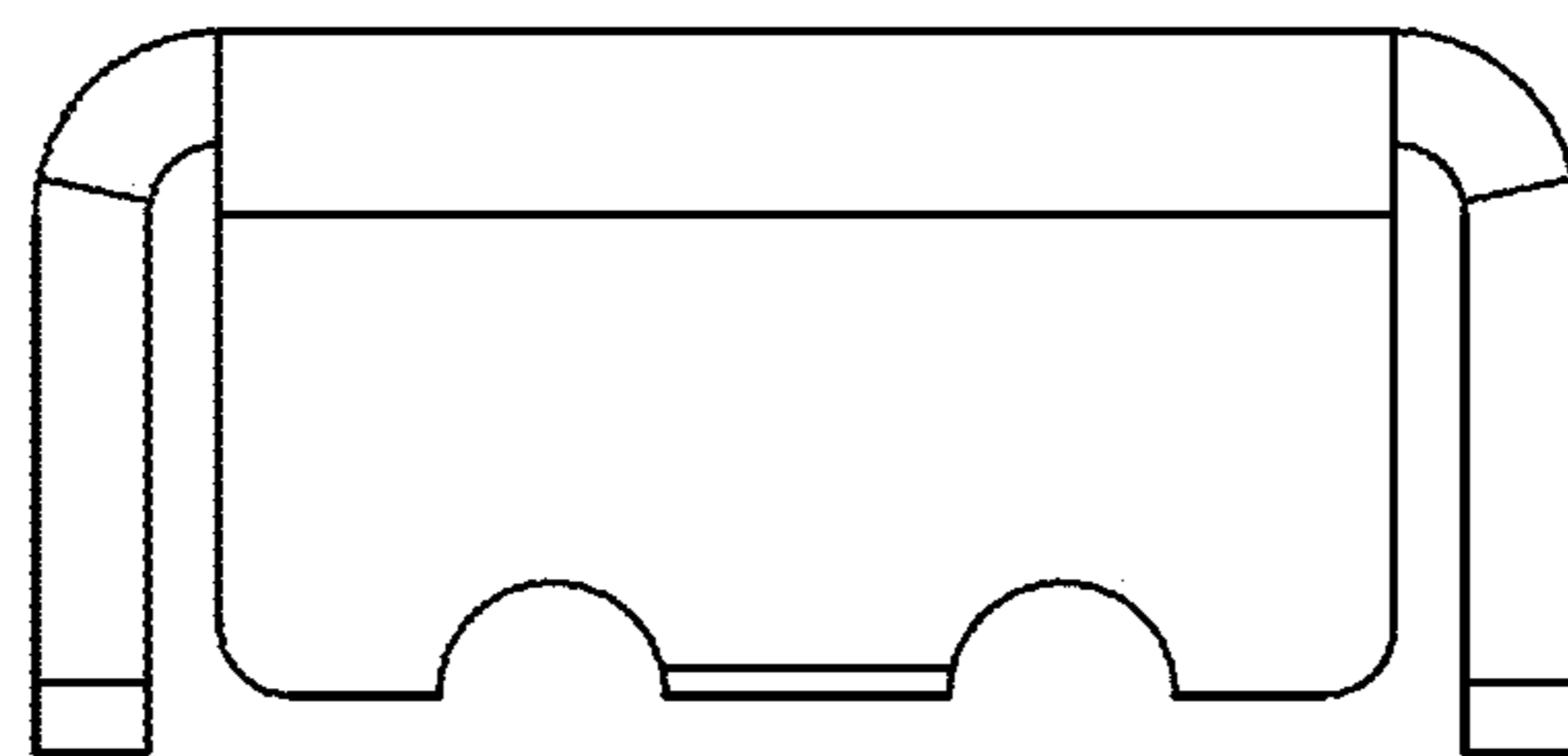


FIG. 3

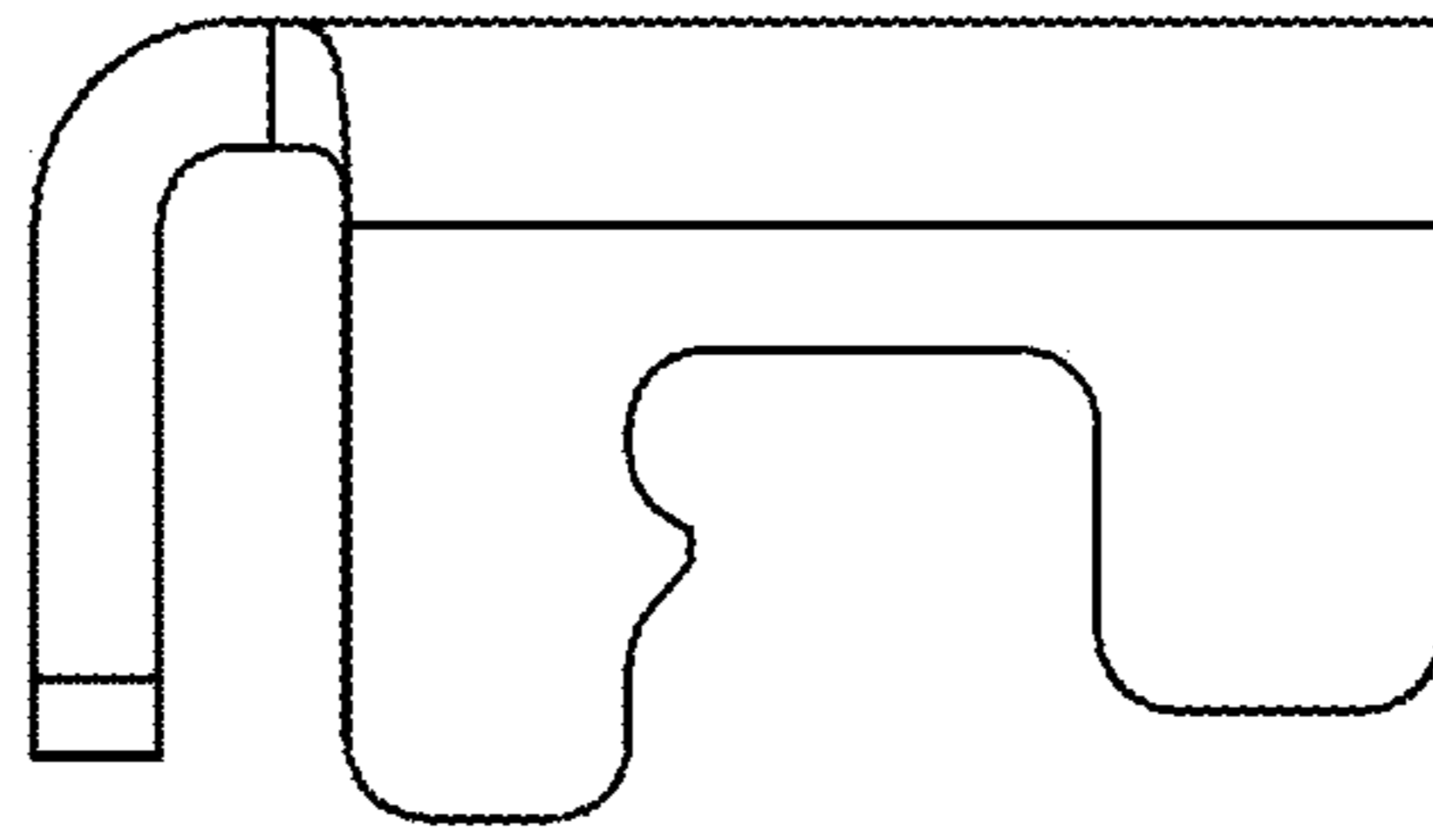


FIG. 4

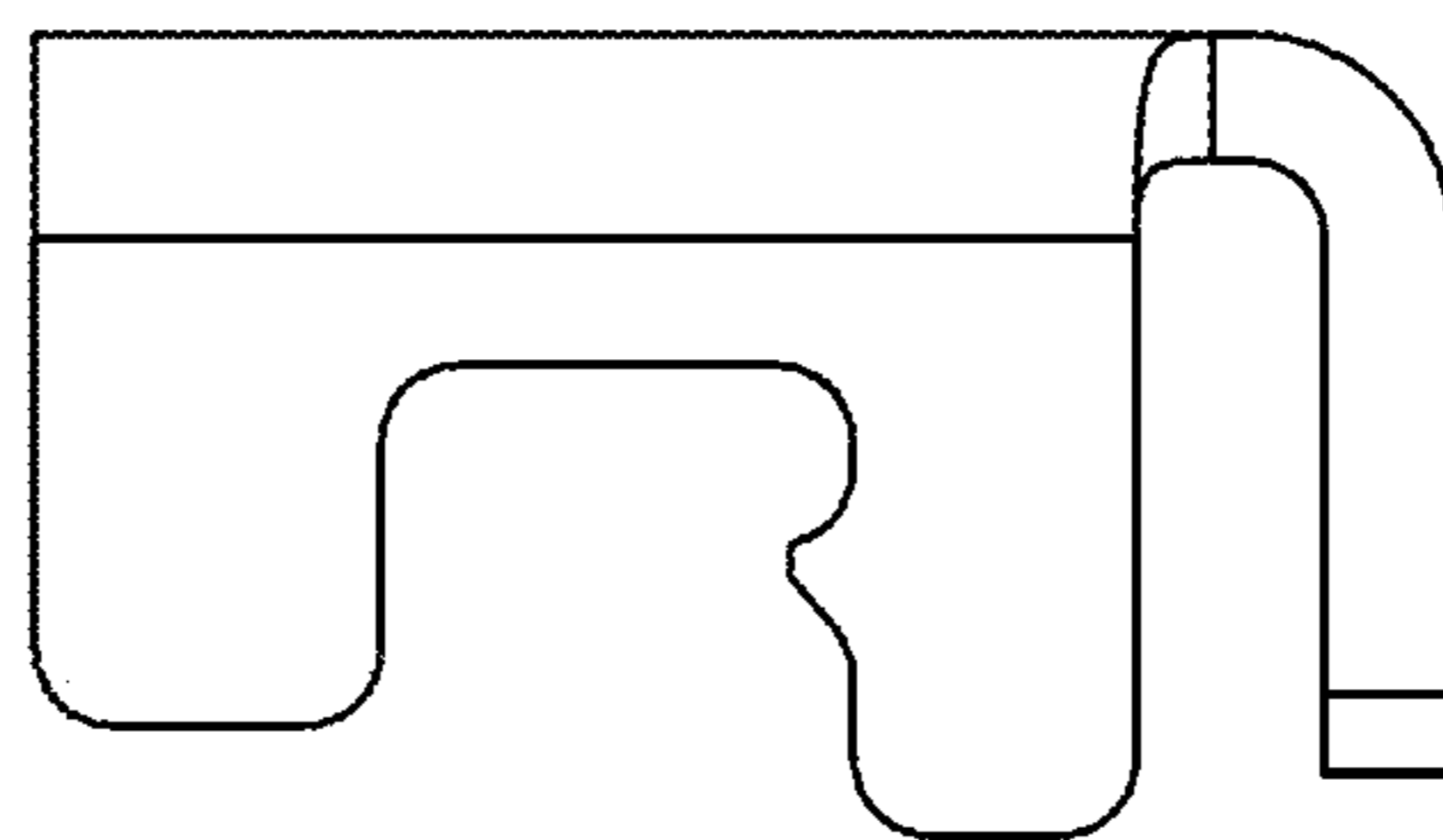


FIG. 5

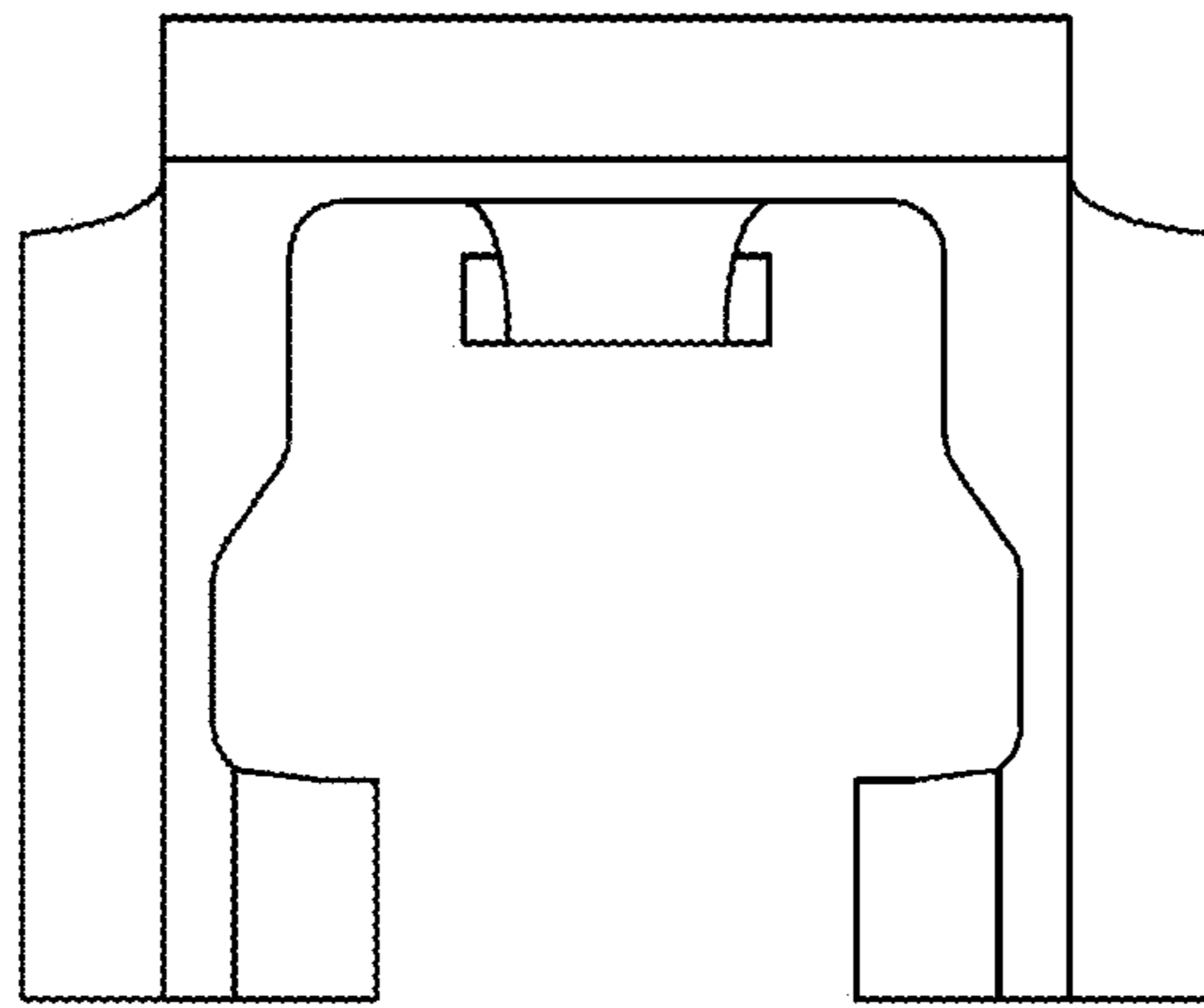


FIG. 6

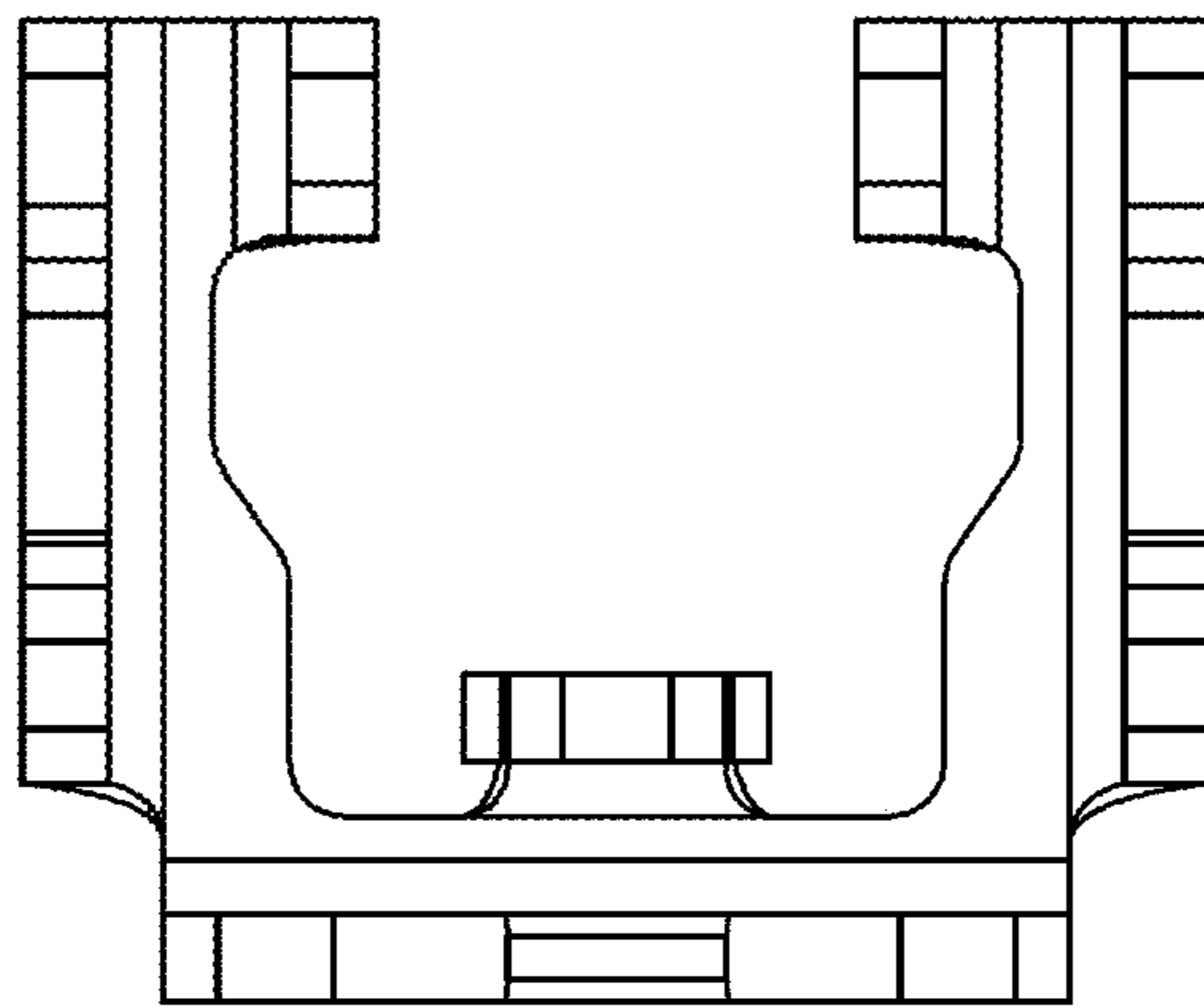


FIG. 7

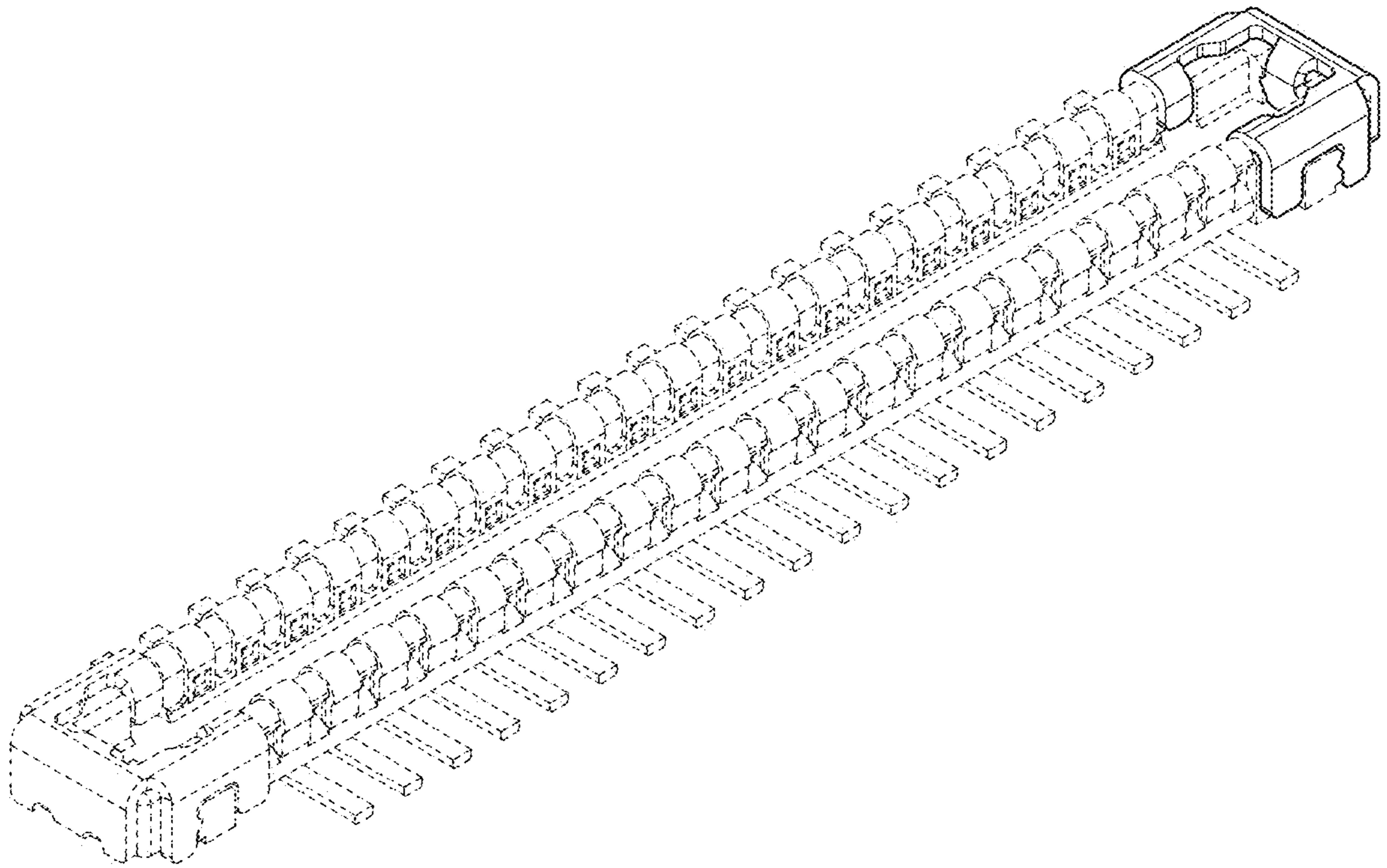


FIG. 8