



US00D936598S

(12) **United States Design Patent** (10) **Patent No.:** **US D936,598 S**
Salas et al. (45) **Date of Patent:** **** *Nov. 23, 2021**

(54) **ELECTRICAL OUTLET**

D545,272 S * 6/2007 Zhang D13/139.3
D551,625 S * 9/2007 Loftus D13/139.3
D558,676 S * 1/2008 Fort D13/139.3

(71) Applicant: **EATON CORPORATION**, Cleveland, OH (US)

(Continued)

(72) Inventors: **Luis F. Salas**, Fayetteville, GA (US);
Oscar L. Neundorfer, Senoia, GA (US); **Saivaraprasad Murahari**,
Peachtree City, GA (US)

OTHER PUBLICATIONS

“Radiant 15A . . . ” reference dated Jun. 17, 2021 found by RMS on the internet at: https://www.legrand.us/wiring-devices/outlets-and-receptacles/residential-receptacles/radiant-15a-tamper-resistant-ultra-fast-usb-type-c-c-outlet/p/r26usbcc6w.*

(Continued)

(73) Assignee: **EATON INTELLIGENT POWER LIMITED**, Dublin (IE)

(*) Notice: This patent is subject to a terminal disclaimer.

Primary Examiner — Rhea Shields

(74) *Attorney, Agent, or Firm* — Eckert Seamans Cherin & Mellott, LLC

(**) Term: **15 Years**

(57) **CLAIM**

(21) Appl. No.: **29/726,266**

The ornamental design for an electrical outlet, as shown and described.

(22) Filed: **Mar. 2, 2020**

DESCRIPTION

Related U.S. Application Data

(63) Continuation of application No. 29/547,569, filed on Dec. 4, 2015, now abandoned.

(51) **LOC (13) Cl.** **13-03**

(52) **U.S. Cl.**
USPC **D13/139.3**

(58) **Field of Classification Search**
USPC ... D13/139.1–139.8, 137.1–137.2, 152, 133;
D10/114.1; D14/240
CPC H01R 27/02
See application file for complete search history.

FIG. 1 is a left perspective view of the electrical outlet, showing our new design;
FIG. 2 is an enlarged view, as shown in FIG. 1, thereof;
FIG. 3 is a right perspective view thereof;
FIG. 4 is an enlarged view, as shown in FIG. 3, thereof;
FIG. 5 is a front elevation view thereof;
FIG. 6 is an enlarged view, as shown in FIG. 5, thereof;
FIG. 7 is a left side elevation view thereof;
FIG. 8 is a right side elevation view thereof;
FIG. 9 is a rear elevation view thereof;
FIG. 10 is a top plan view thereof; and,
FIG. 11 is a bottom plan view thereof.

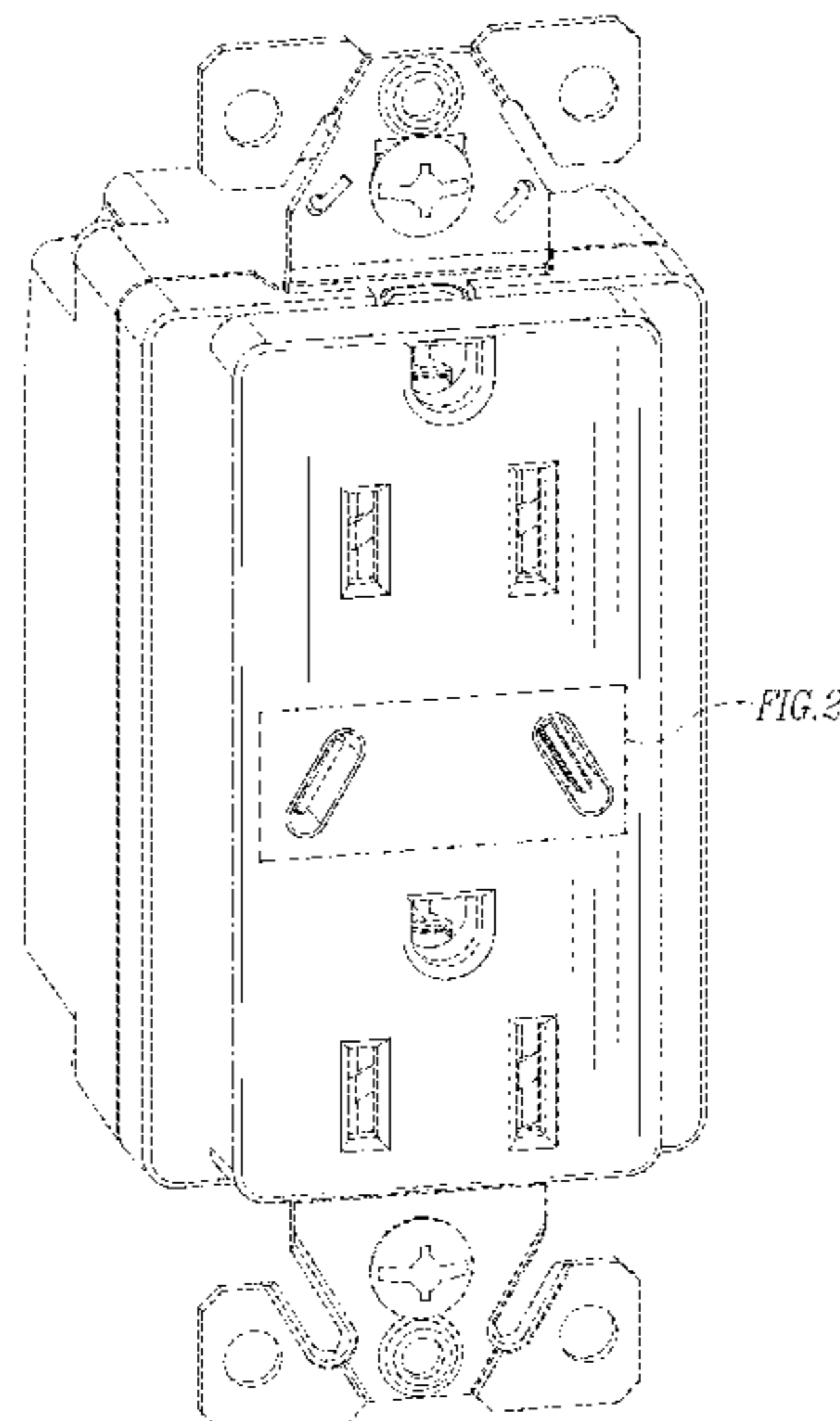
In the drawings, the dot-dash lines are for the purpose of illustrating the boundaries of the claim and form no part of the claimed design. The short-dashed lines are for the purpose of illustrating portions of the electrical outlet that form no part of the claimed design. The longer dashed lines in FIGS. 1, 3, and 5 are boundaries for the enlarged views and form no part of the claimed design.

(56) **References Cited**

U.S. PATENT DOCUMENTS

D269,431 S * 6/1983 Doyle D13/139.3
D419,531 S * 1/2000 Keung D13/139.3
D509,214 S * 9/2005 Chung D14/240
D512,377 S * 12/2005 Fort D13/139.3
D515,448 S * 2/2006 Nelson D10/114.1
D542,223 S * 5/2007 Bazayev D13/139.3

1 Claim, 11 Drawing Sheets



(56)

References Cited

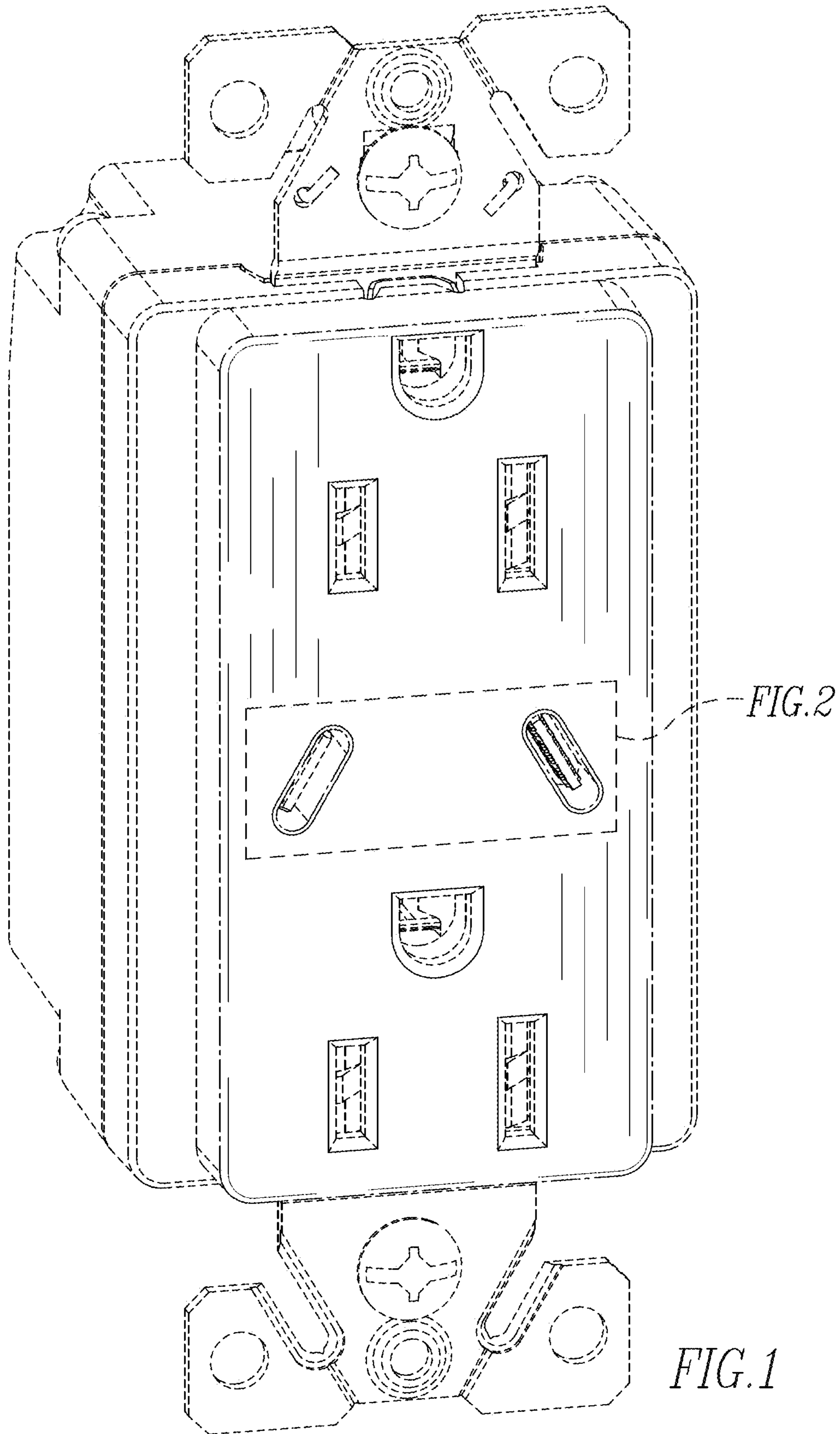
U.S. PATENT DOCUMENTS

D587,203 S * 2/2009 Dennes D13/133
D623,595 S * 9/2010 Ruffner D13/139.1
D662,885 S * 7/2012 Hoffman D13/139.1
D678,840 S * 3/2013 DeCosta D13/137.1
D686,577 S * 7/2013 Flagello D13/152
D710,804 S * 8/2014 Duffy D13/139.3
D715,225 S * 10/2014 Mininger D13/139.4
D719,511 S * 12/2014 Dodal D13/139.1
D719,512 S * 12/2014 Roy D13/139.6
D720,295 S * 12/2014 Dodal D13/139.1
D731,432 S * 6/2015 Murphy D13/139.1
D744,952 S * 12/2015 Ni D13/139.3
D813,818 S * 3/2018 Ni D13/137.2
D814,420 S * 4/2018 Chen D13/137.2
D817,885 S * 5/2018 Salas D13/137.2
D820,211 S * 6/2018 Salas D13/137.2
10,193,285 B1 * 1/2019 Satyanarayanan H01R 27/02
D853,333 S * 7/2019 Salas D13/139.3
D870,046 S * 12/2019 Salas D13/139.3
D870,047 S * 12/2019 Salas D13/139.3
D870,671 S * 12/2019 Salas D13/139.3
D873,775 S * 1/2020 Salas D13/139.3
D909,309 S * 2/2021 Pan D13/139.1

OTHER PUBLICATIONS

“Leviton . . .” reference dated Jun. 17, 2021 found by RMS on the internet at: <https://www.amazon.com/Leviton-T5635-W-Delivery-Charger-Tamper-Resistant/dp/B07PTWG5DV>.*

* cited by examiner



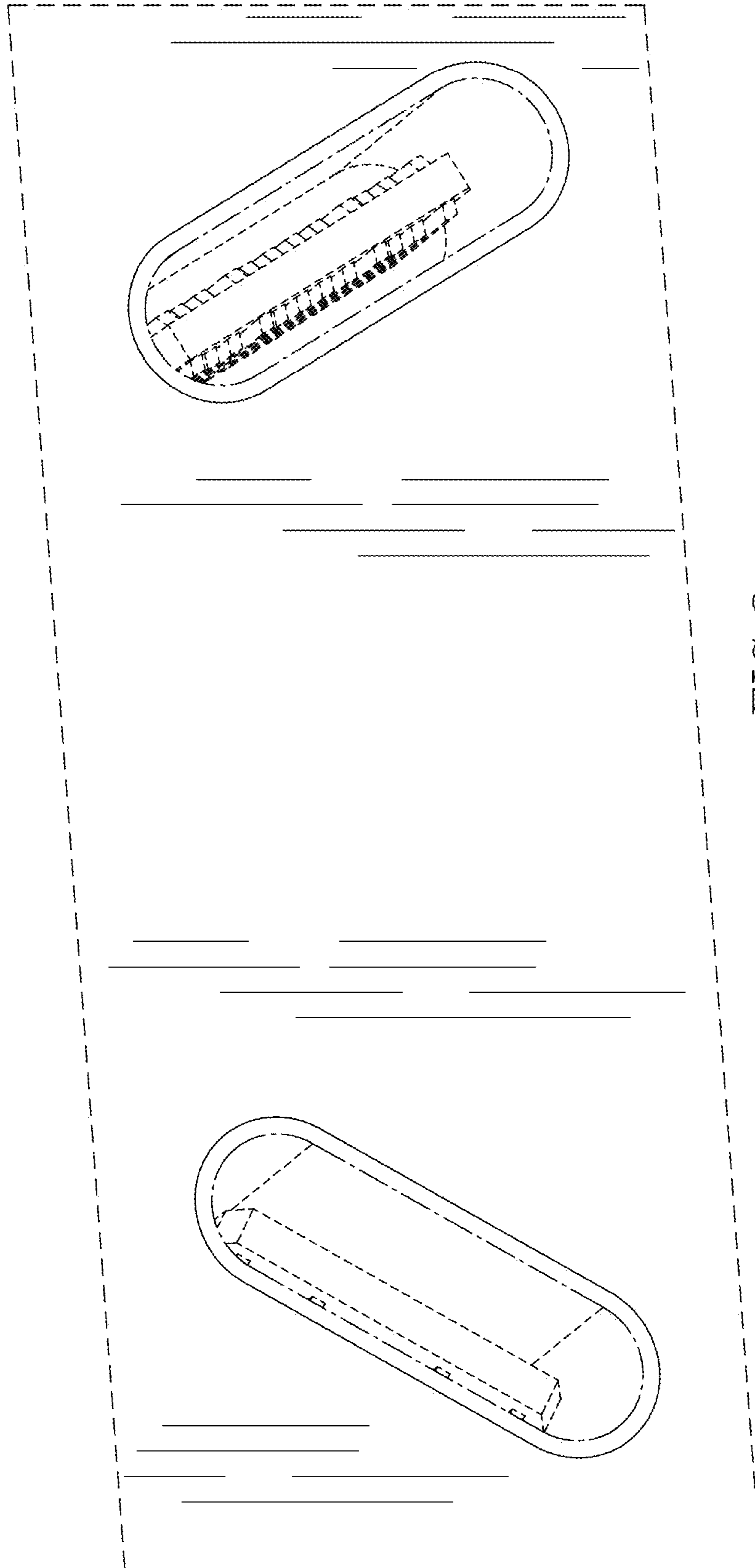
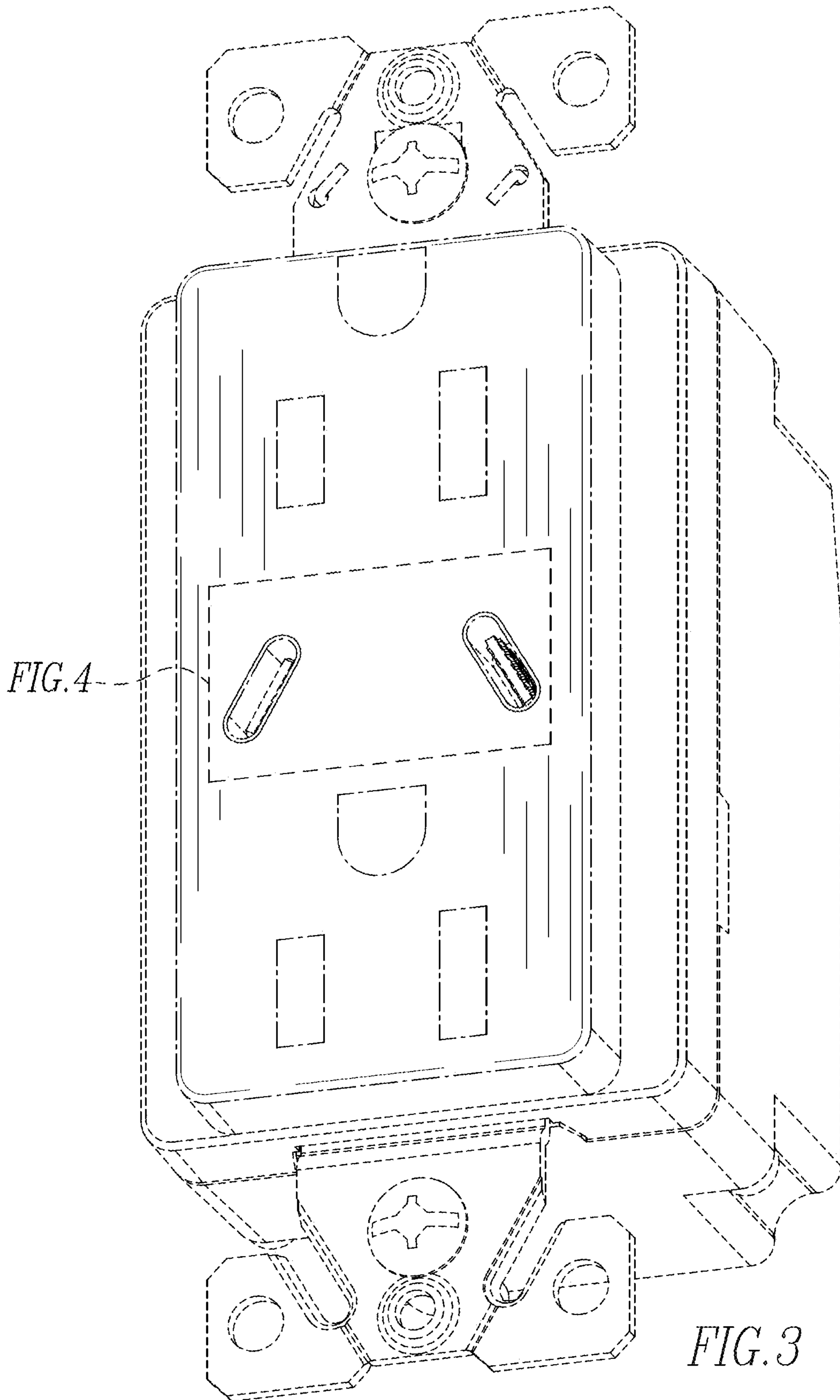
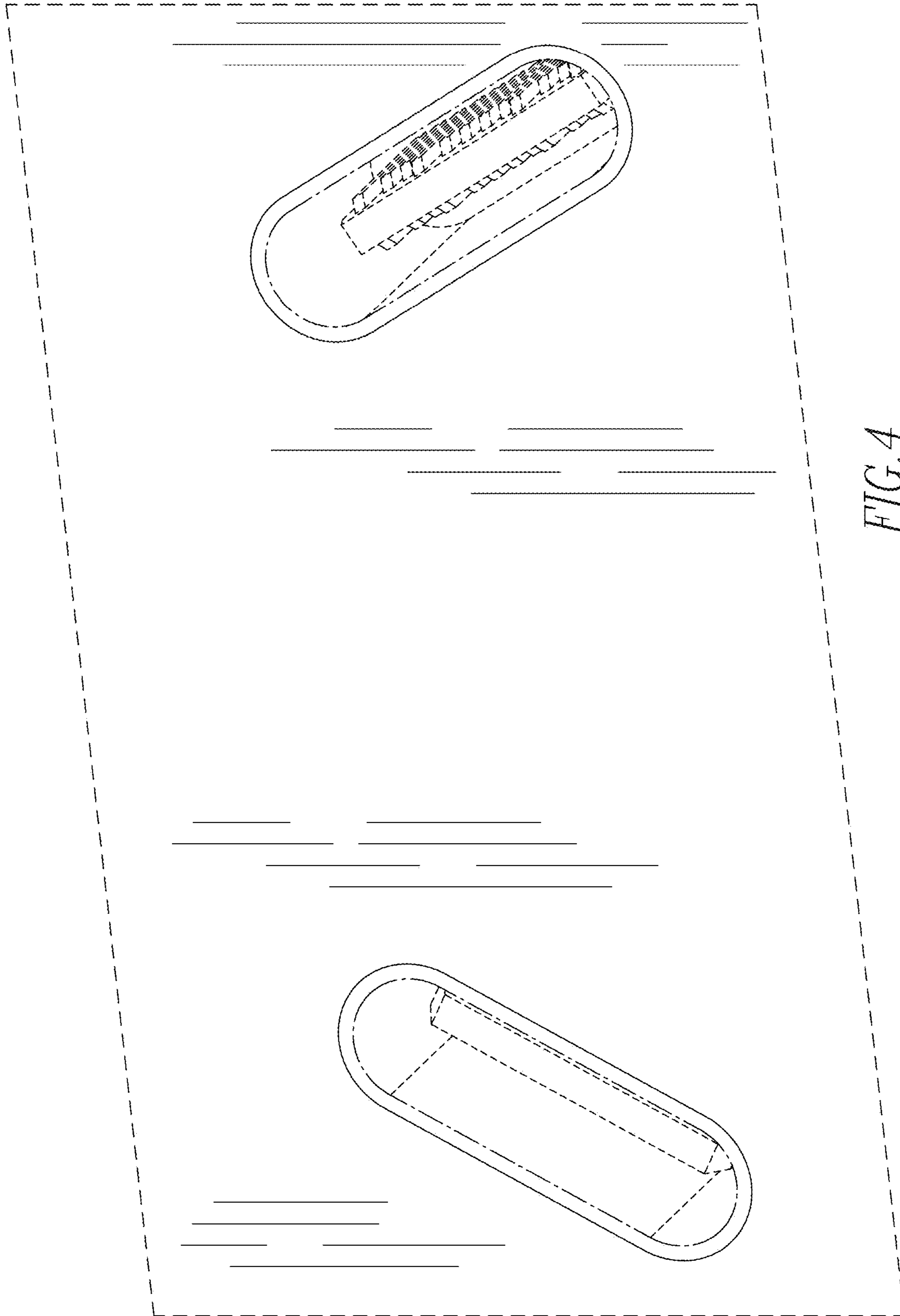


FIG. 2





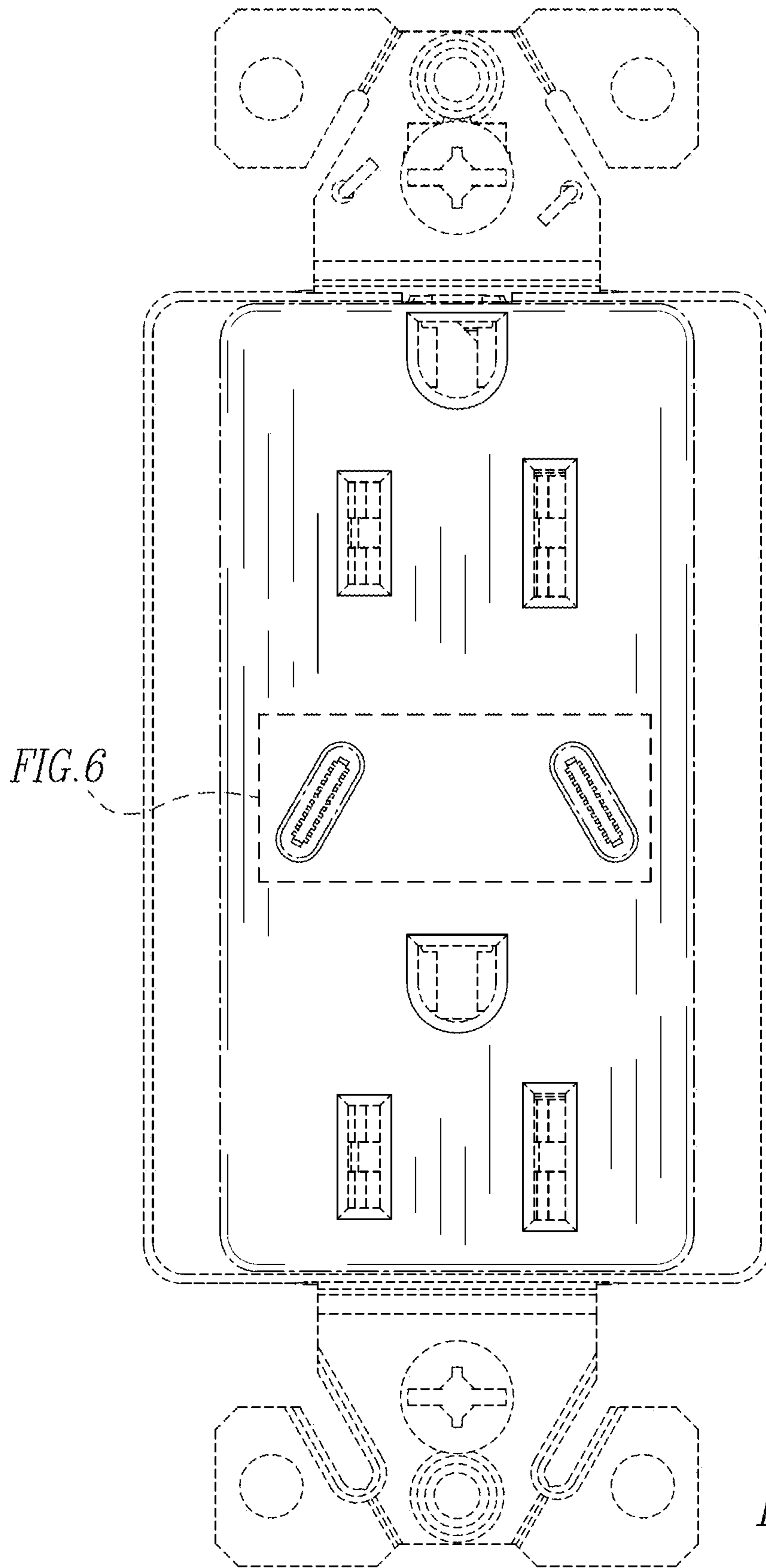


FIG. 6

FIG. 5

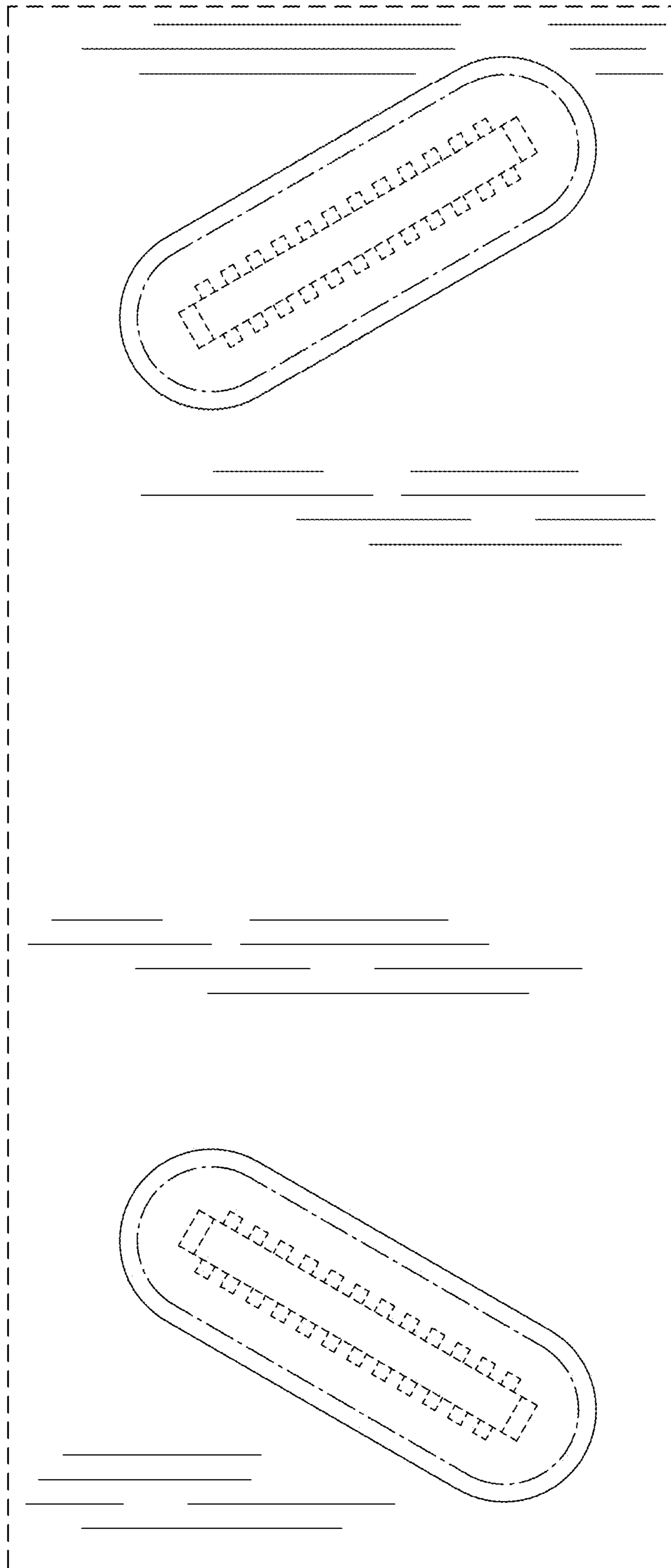


FIG. 6

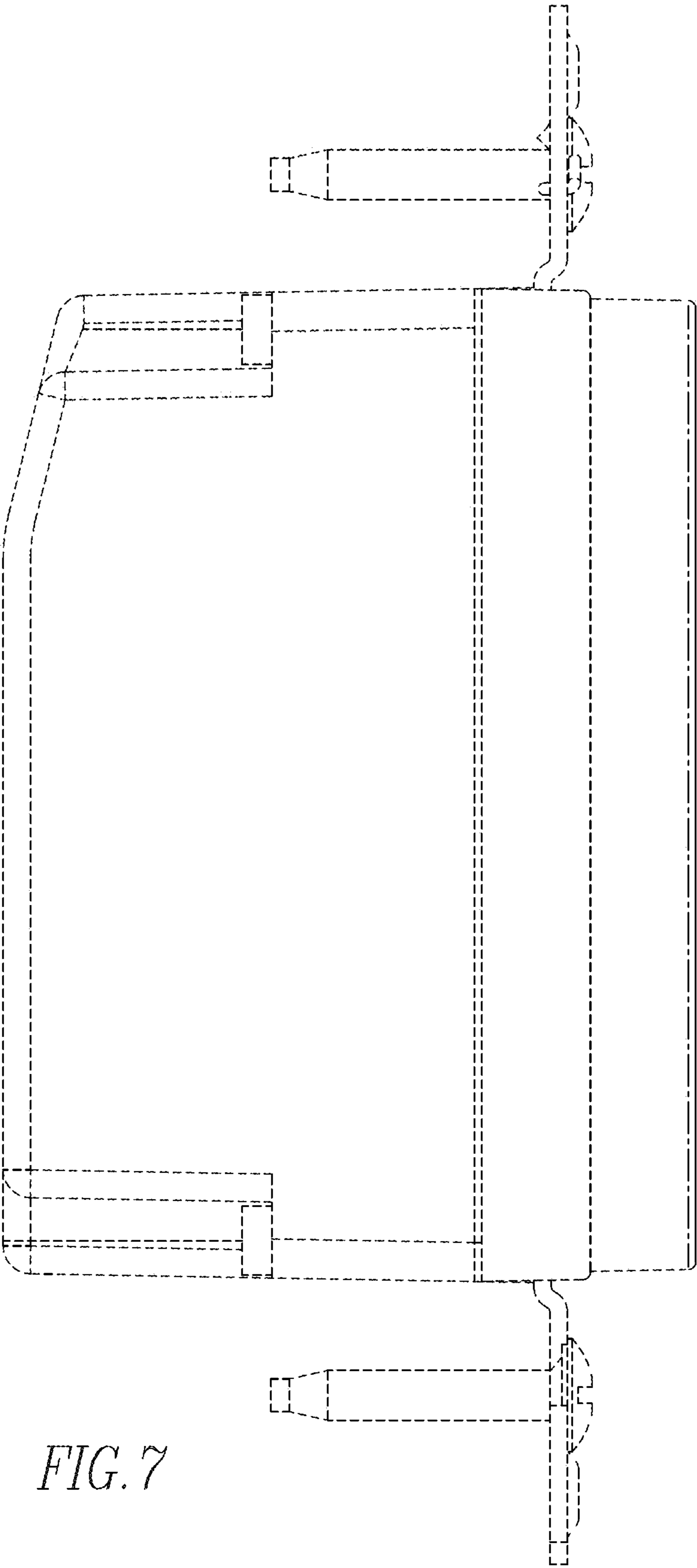


FIG. 7

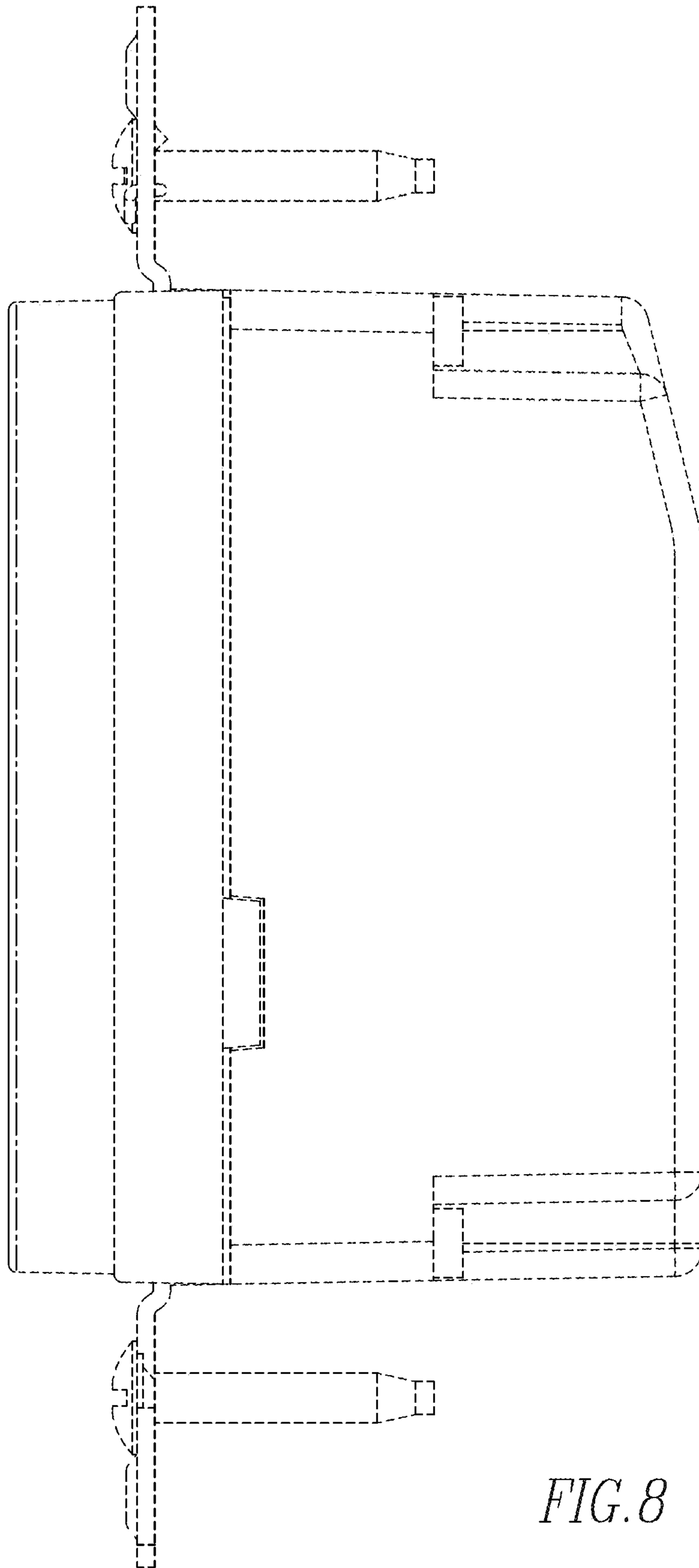


FIG. 8

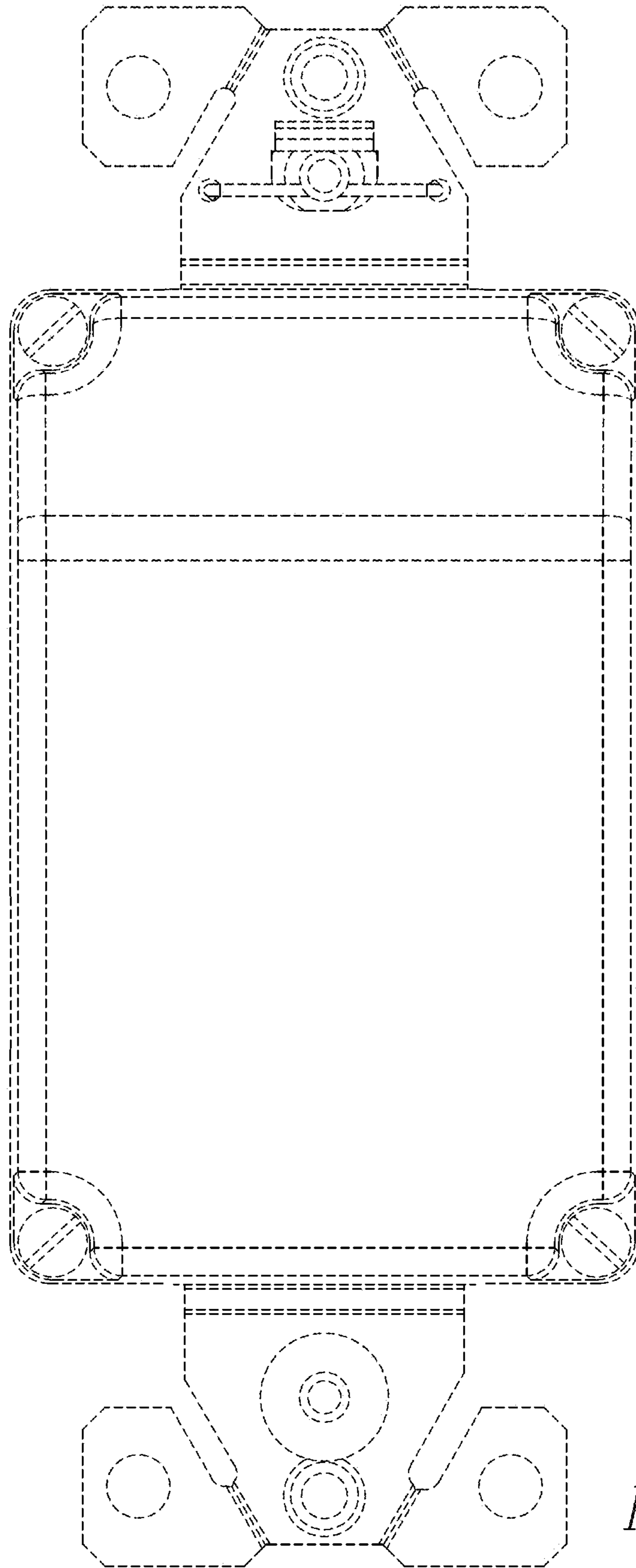


FIG. 9

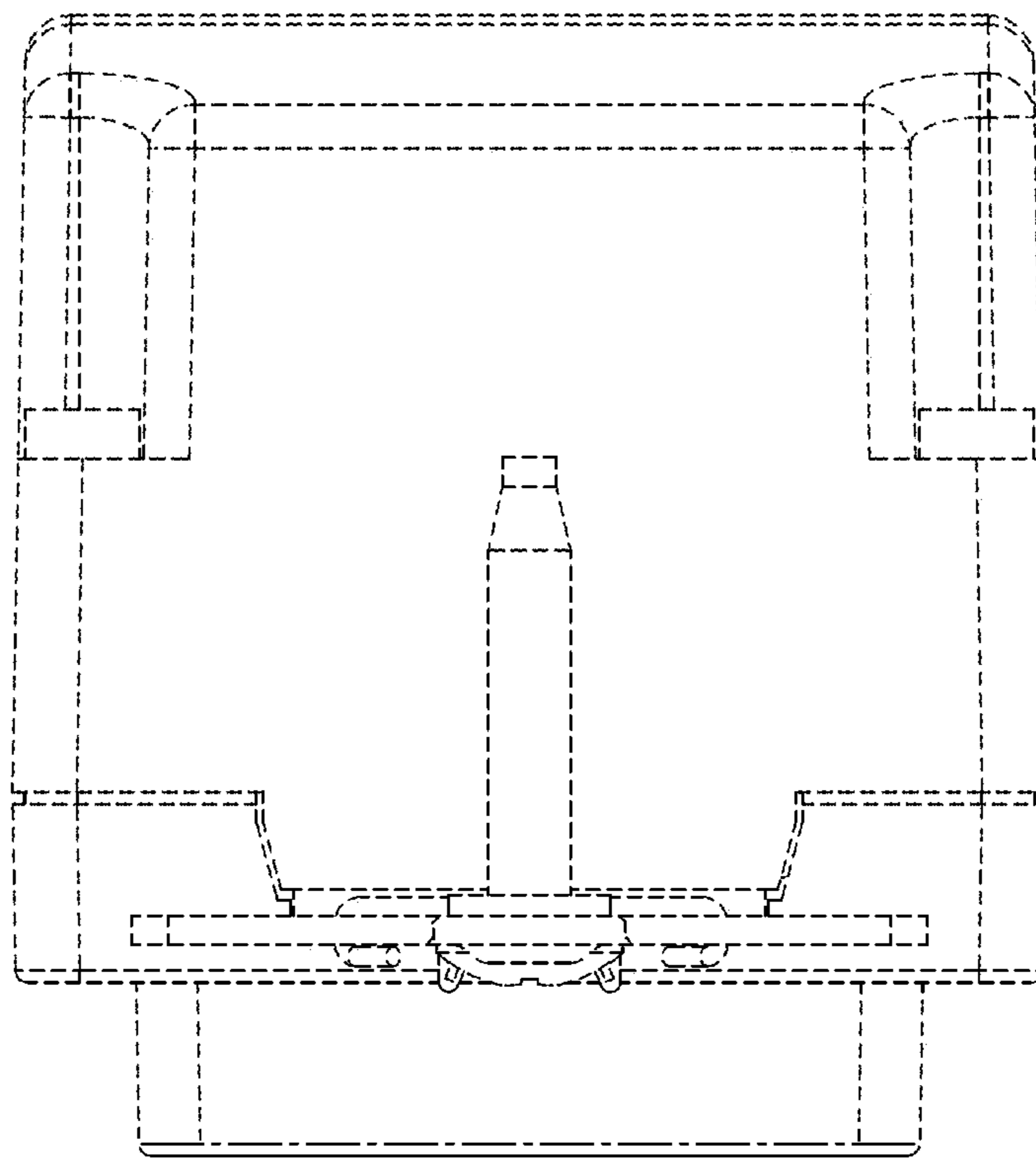


FIG. 10

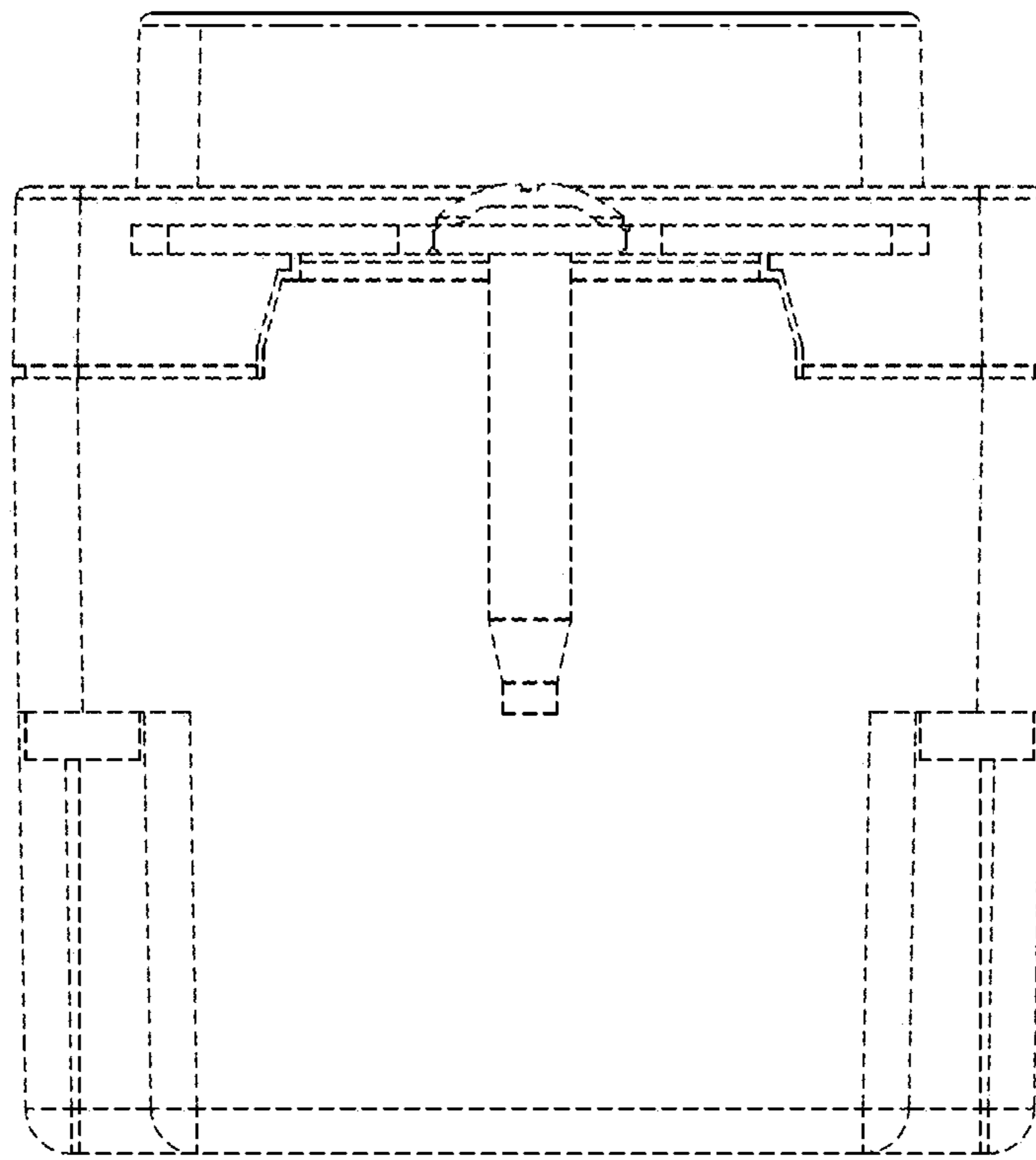


FIG. 11