



US00D936587S

(12) **United States Design Patent** (10) **Patent No.:** **US D936,587 S**
C et al. (45) **Date of Patent:** **** Nov. 23, 2021**

(54) **CONNECTOR**

(74) *Attorney, Agent, or Firm* — Banner & Witcoff, Ltd.

(71) Applicant: **Molex, LLC**, Lisle, IL (US)

(57) **CLAIM**

(72) Inventors: **Krishnamurthy C**, Bangalore (IN);
Harsha Thyagaraj, Bangalore (IN);
Pierre Perez, Aurora, IL (US)

The ornamental design for a connector, as shown and described.

(73) Assignee: **Molex, LLC**, Lisle, IL (US)

DESCRIPTION

(**) Term: **15 Years**

(21) Appl. No.: **29/700,217**

(22) Filed: **Jul. 31, 2019**

(51) **LOC (13) Cl.** **13-03**

(52) **U.S. Cl.**
USPC **D13/133; D13/147**

(58) **Field of Classification Search**
USPC D13/110, 118, 120, 123, 133, 134, 135,
D13/146, 147, 149, 153, 154, 184, 199;
D14/433, 435; D26/74, 138
CPC .. H01R 13/506; H01R 13/516; H01R 13/518;
H01R 13/58; H01R 13/56315; H01R
13/62; H01R 13/64; H01R 13/641; H01R
9/09; H01R 9/11

See application file for complete search history.

(56) **References Cited**

U.S. PATENT DOCUMENTS

5,697,805 A * 12/1997 Orstad H01R 13/6315
439/374
D402,959 S * 12/1998 Harada D13/134
D402,960 S * 12/1998 Harada D13/134
D402,961 S * 12/1998 Harada D13/134

(Continued)

FOREIGN PATENT DOCUMENTS

WO D206920-018 * 7/2020

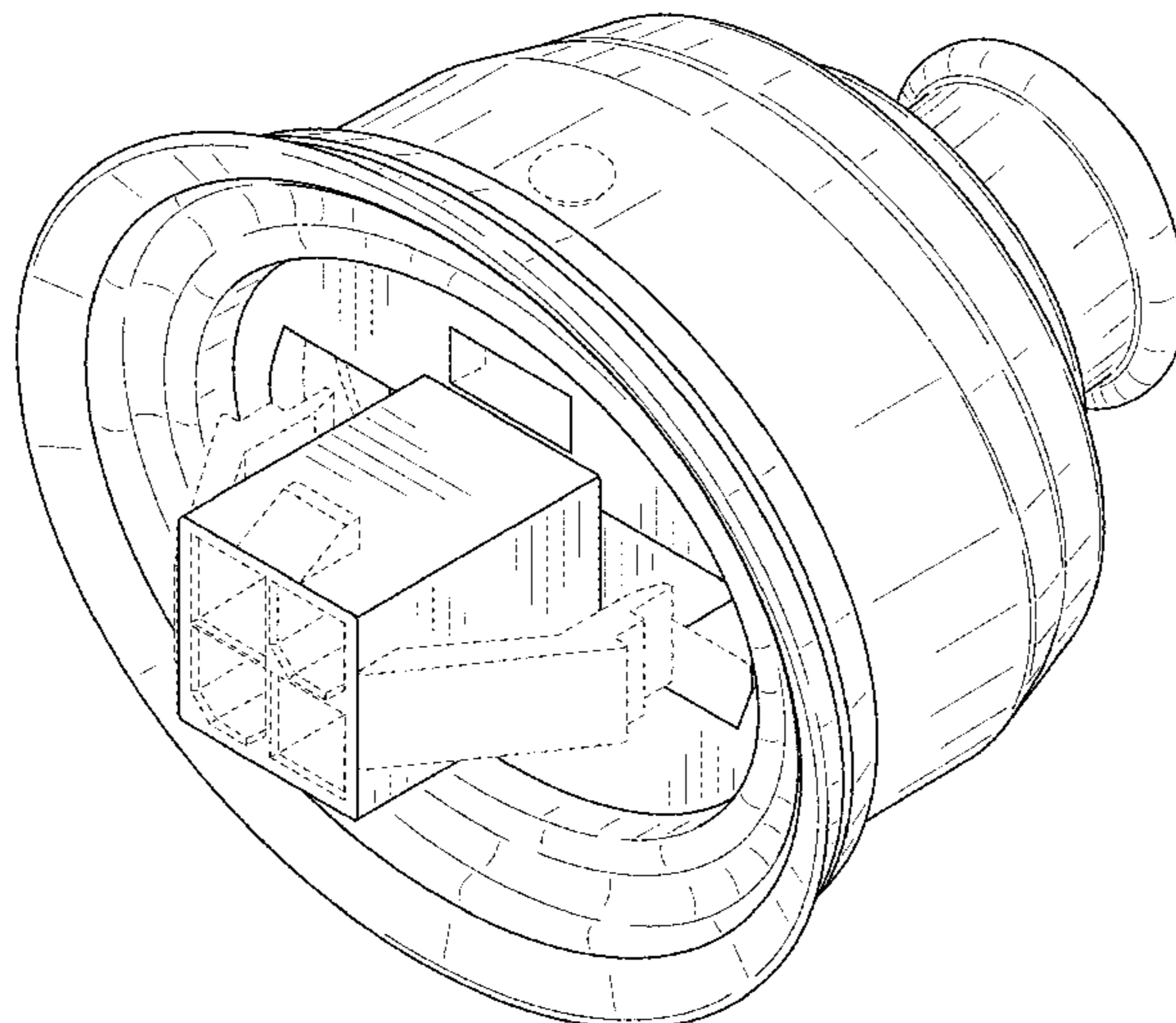
Primary Examiner — Brandon M Rosati

Assistant Examiner — Michael Chong

FIG. 1 is a front perspective view of a connector showing our new design;
FIG. 2 is a rear perspective view thereof;
FIG. 3 is a front view thereof;
FIG. 4 is a rear view thereof;
FIG. 5 is a right side view thereof;
FIG. 6 is a left side view thereof;
FIG. 7 is a top view thereof;
FIG. 8 is a bottom view thereof;
FIG. 9 is a front perspective view of an alternate embodiment of a connector showing our new design;
FIG. 10 is a rear perspective view thereof;
FIG. 11 is a front view thereof;
FIG. 12 is a rear view thereof;
FIG. 13 is a right side view thereof;
FIG. 14 is a left side view thereof;
FIG. 15 is a top view thereof;
FIG. 16 is a bottom view thereof;
FIG. 17 is a front perspective view of an alternate embodiment of a connector showing our new design;
FIG. 18 is a rear perspective view thereof;
FIG. 19 is a front view thereof;
FIG. 20 is a rear view thereof;
FIG. 21 is a right side view thereof;
FIG. 22 is a left side view thereof;
FIG. 23 is a top view thereof; and,
FIG. 24 is a bottom view thereof.

The unshaded interior lip visible in FIGS. 2, 10, and 18 forms no part of the claimed design. The broken lines immediately adjacent to the shaded areas represent the bounds of the claimed design and form no part thereof. The unshaded broken line regions and features form no part of the claimed design.

1 Claim, 23 Drawing Sheets



(56)

References Cited

U.S. PATENT DOCUMENTS

D434,384	S	*	11/2000	Hwang	D13/147
D726,950	S		4/2015	Serwacki et al.		
D745,211	S		12/2015	Serwacki et al.		
D747,540	S		1/2016	Serwacki et al.		
D840,938	S	*	2/2019	Hsu	D13/147
10,236,586	B2	*	3/2019	Zelenski	H01Q 13/0208
D894,126	S	*	8/2020	Somanathapura Ramanna	
						D13/133
2012/0156918	A1	*	6/2012	Tao	H01R 13/64
						439/357
2014/0308841	A1	*	10/2014	Zhu	H01R 13/64
						439/357

* cited by examiner

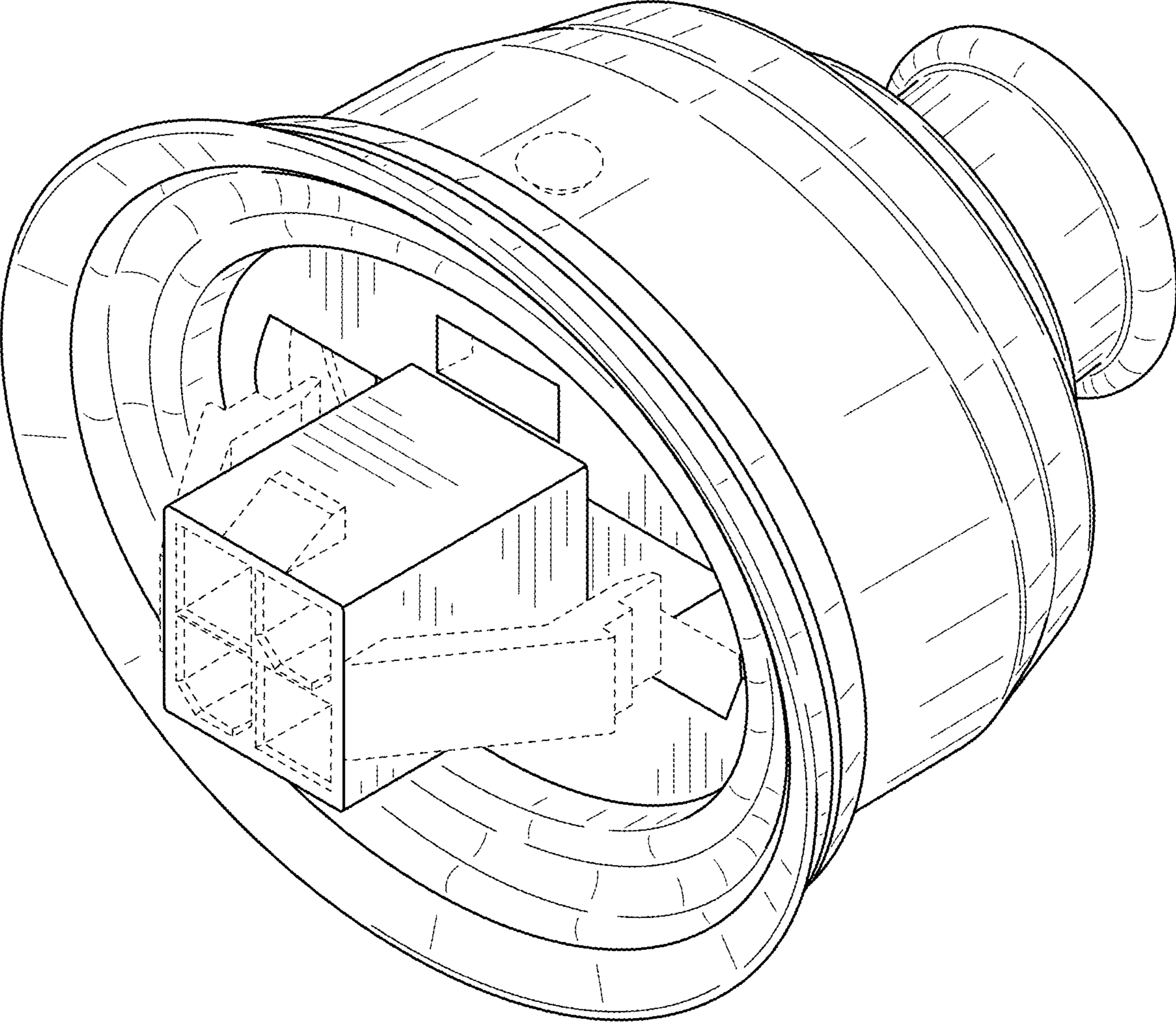


FIG. 1

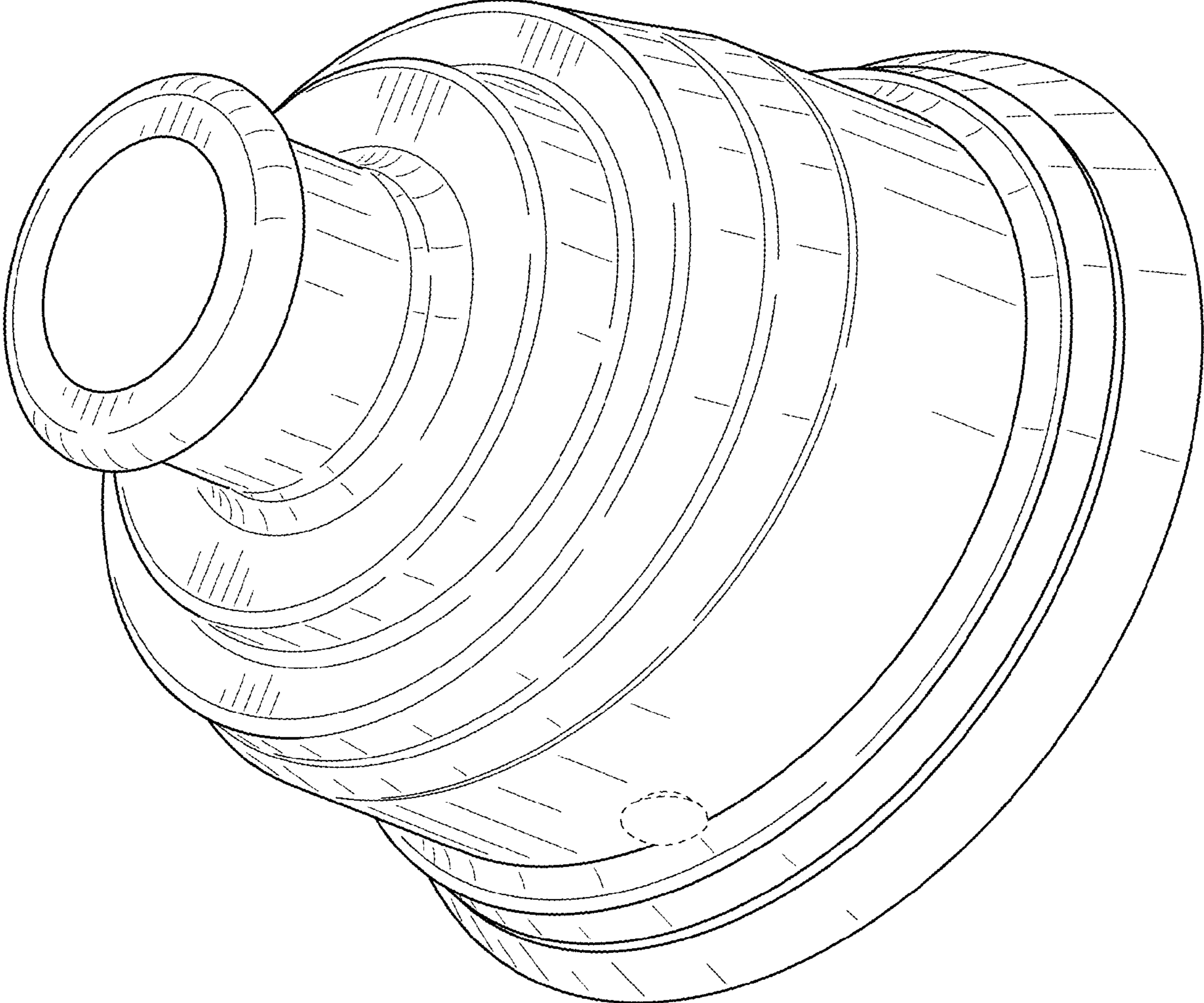


FIG. 2

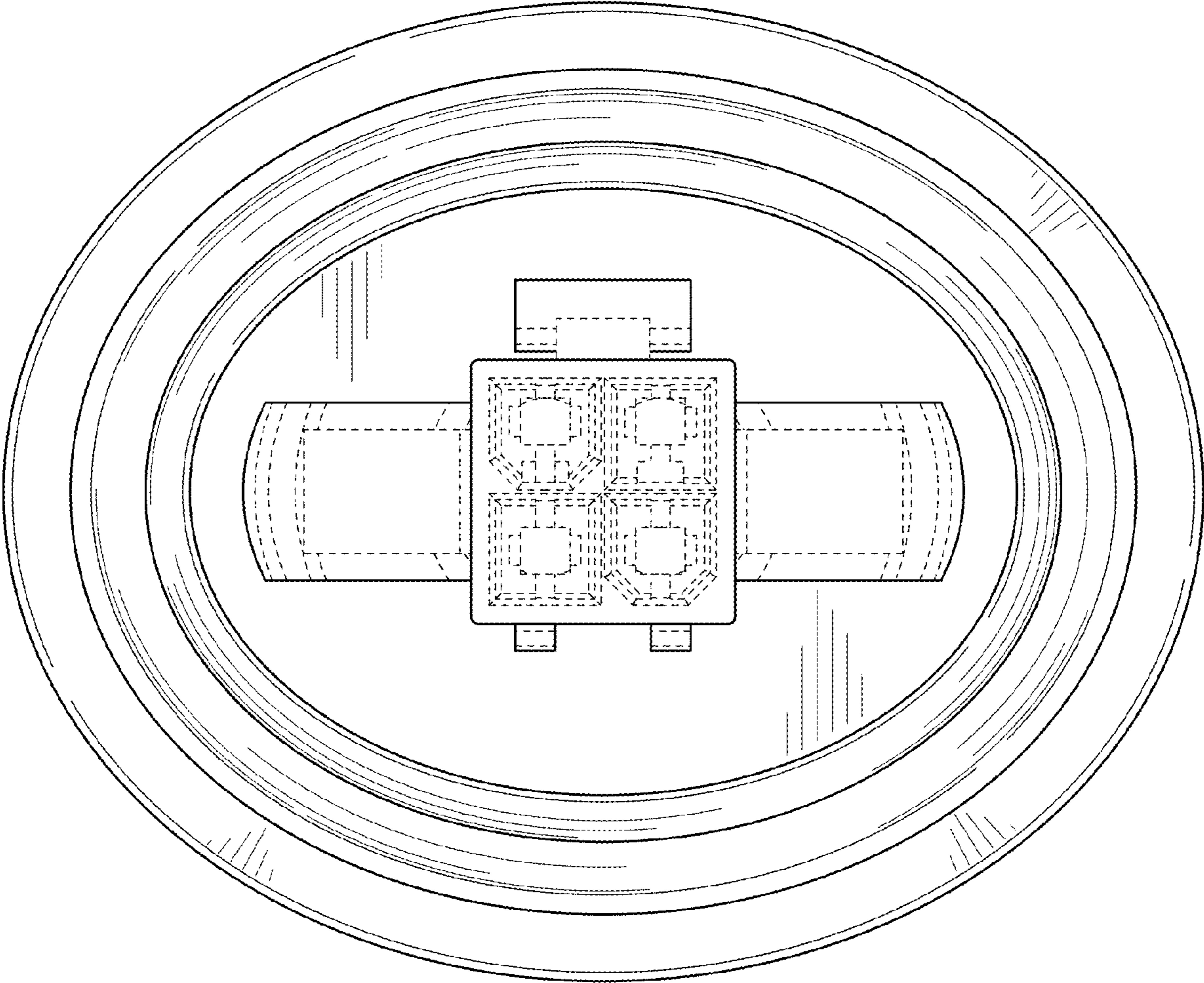


FIG. 3

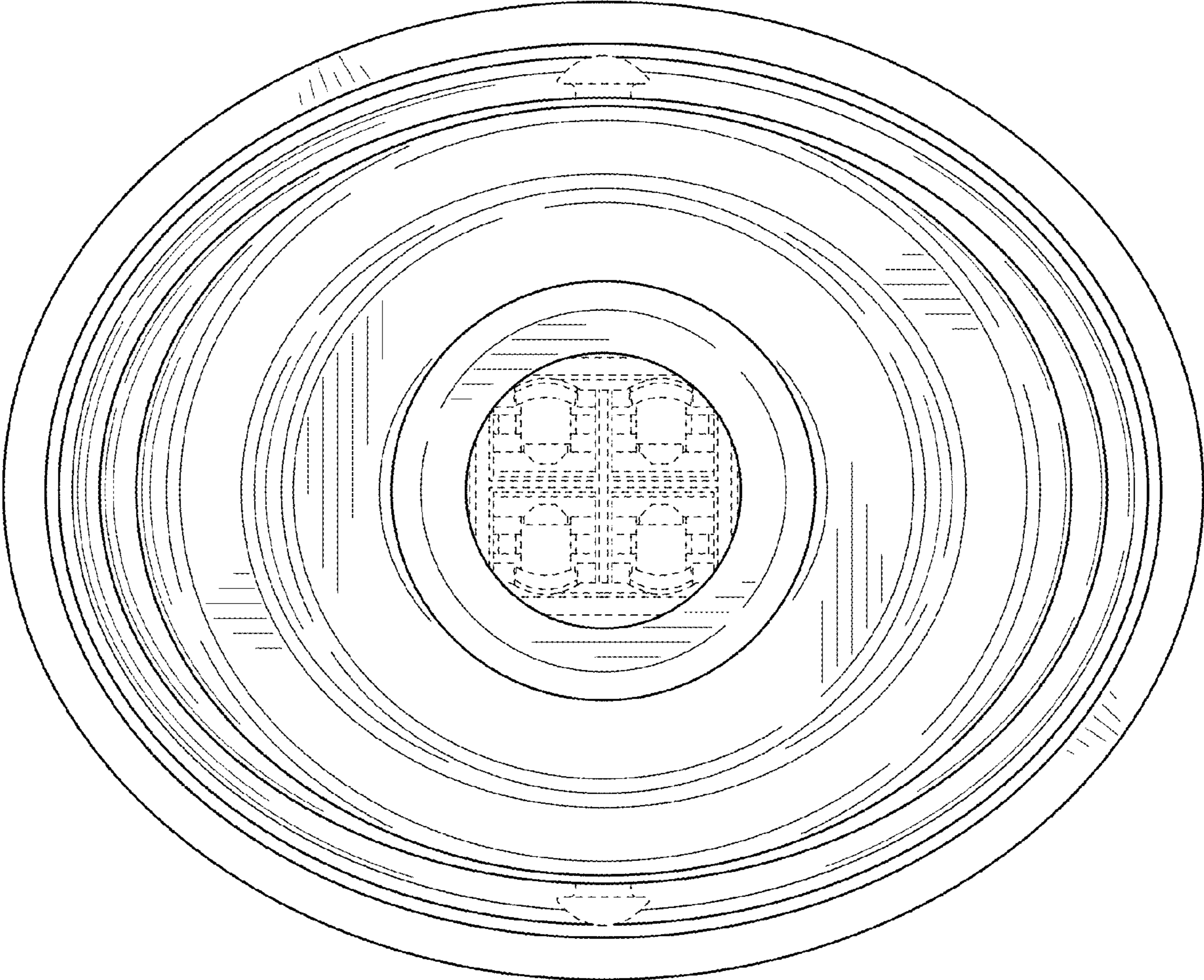


FIG. 4

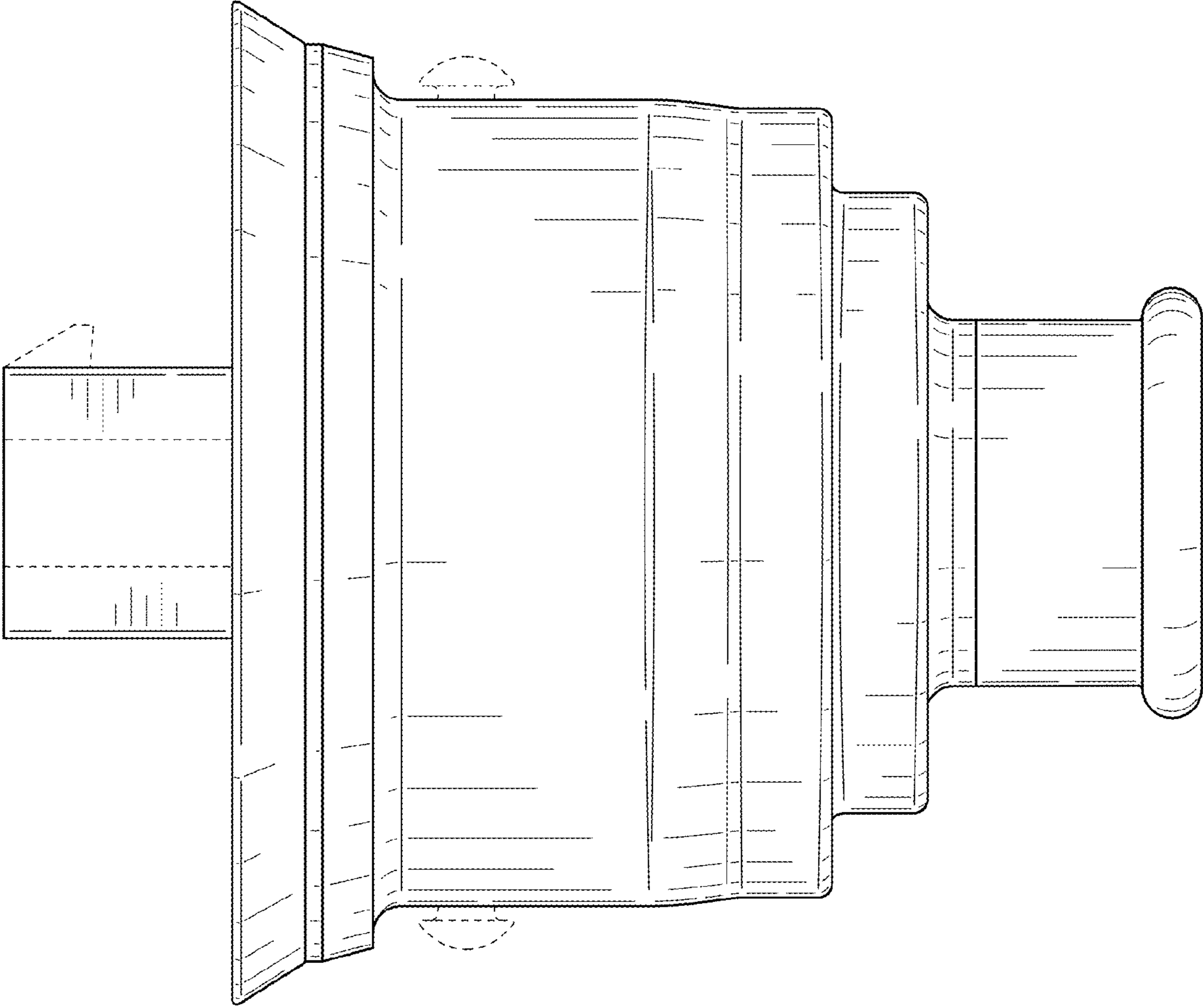


FIG. 5

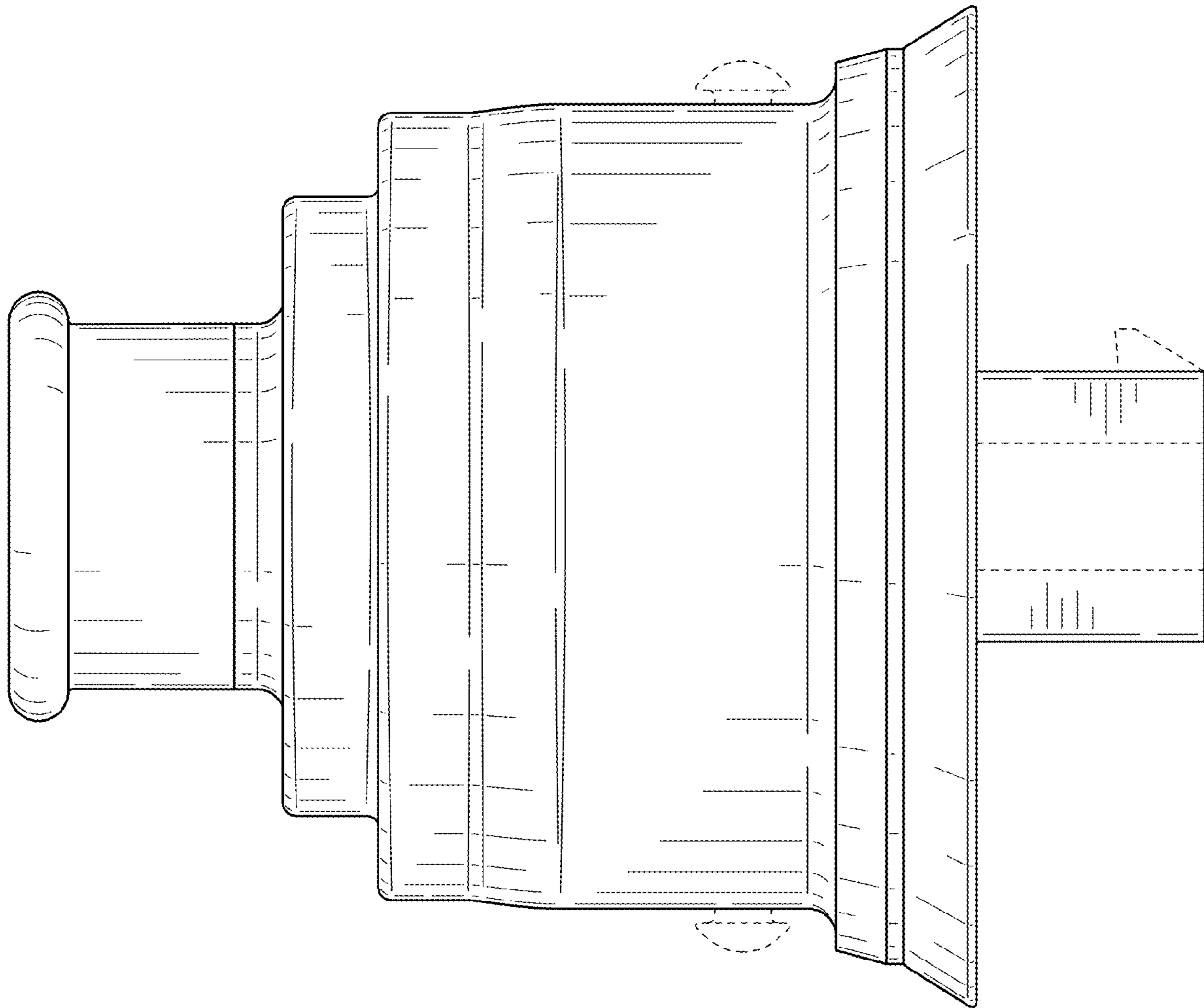


FIG. 6

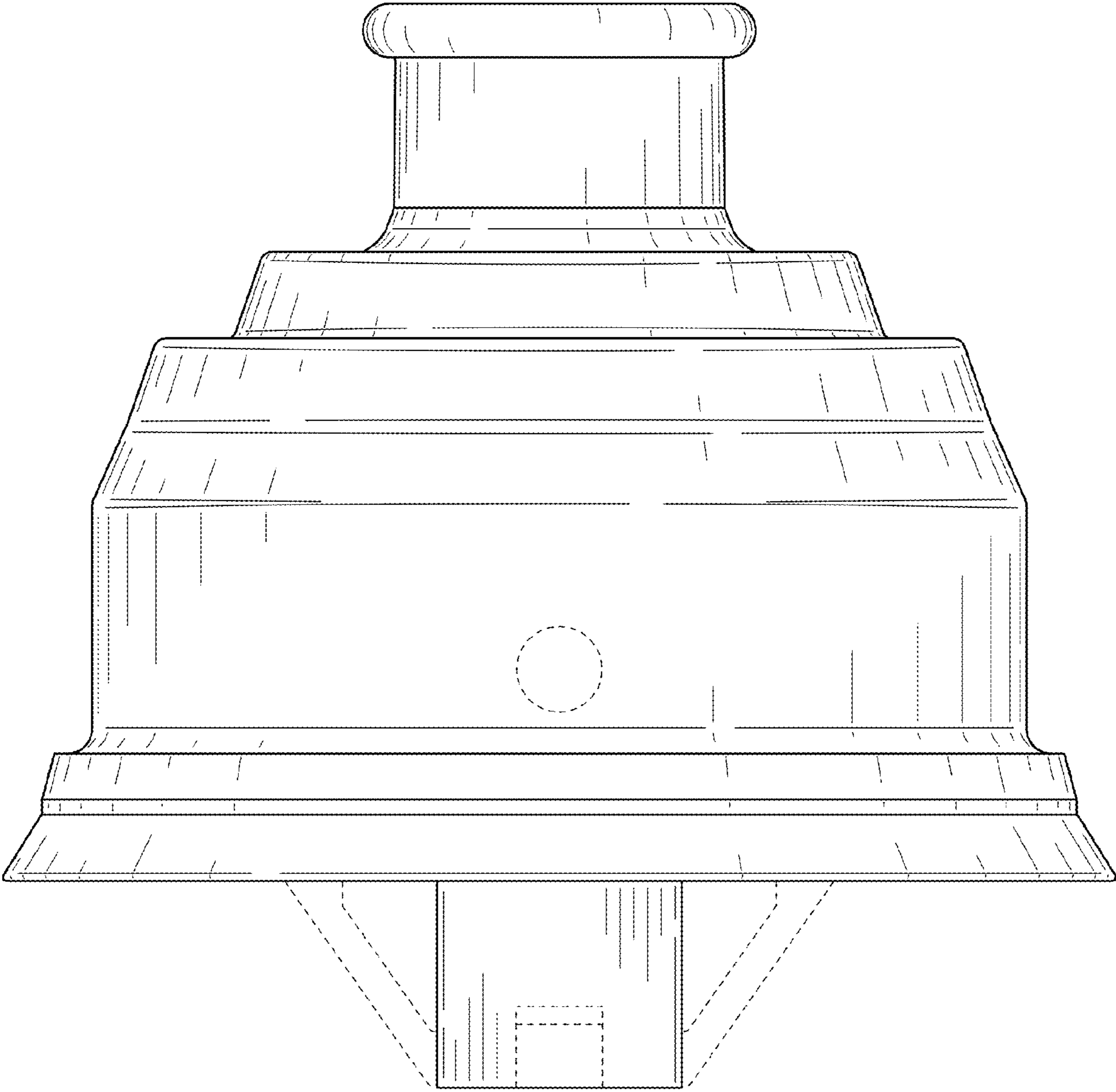


FIG. 7

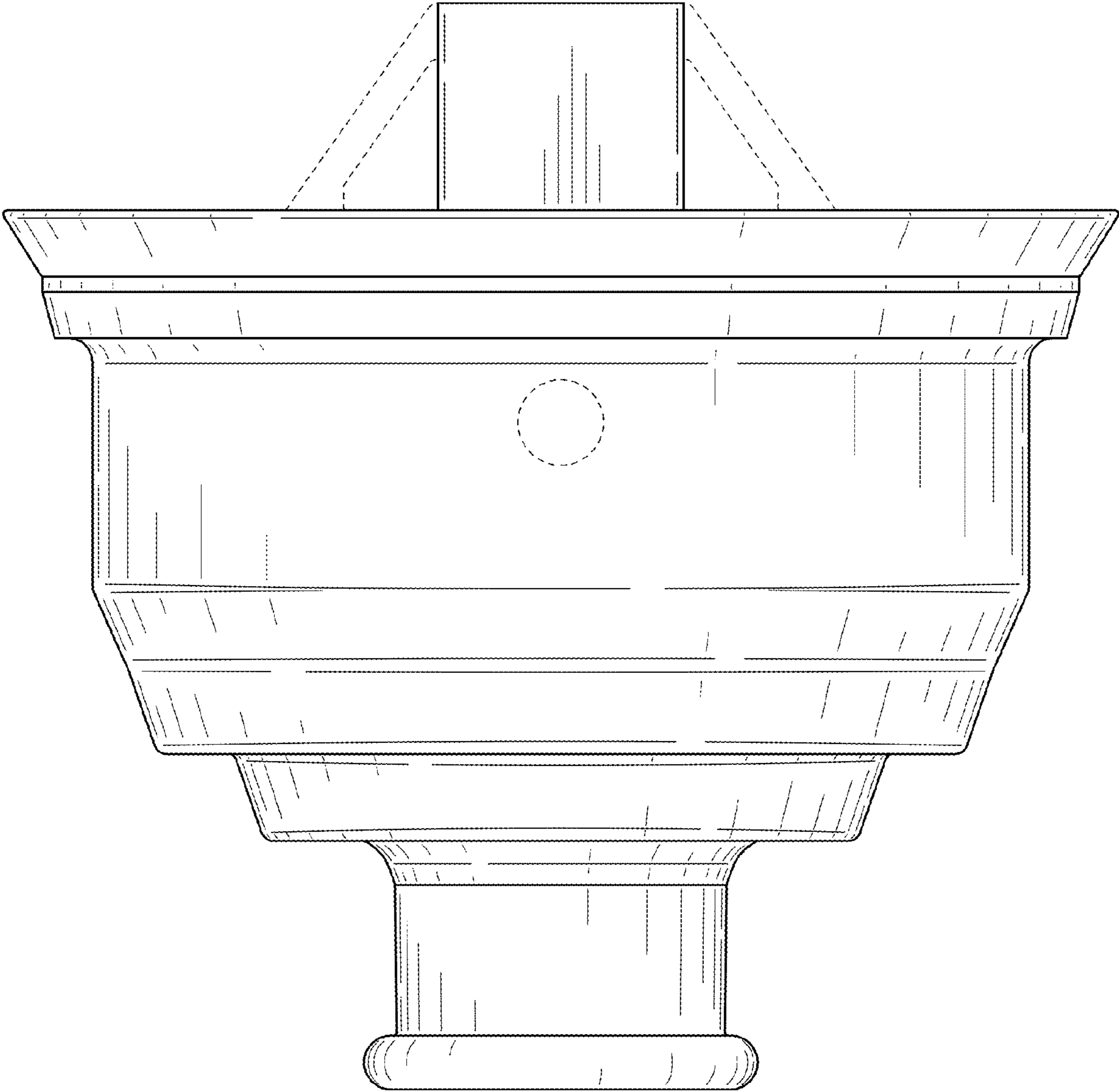


FIG. 8

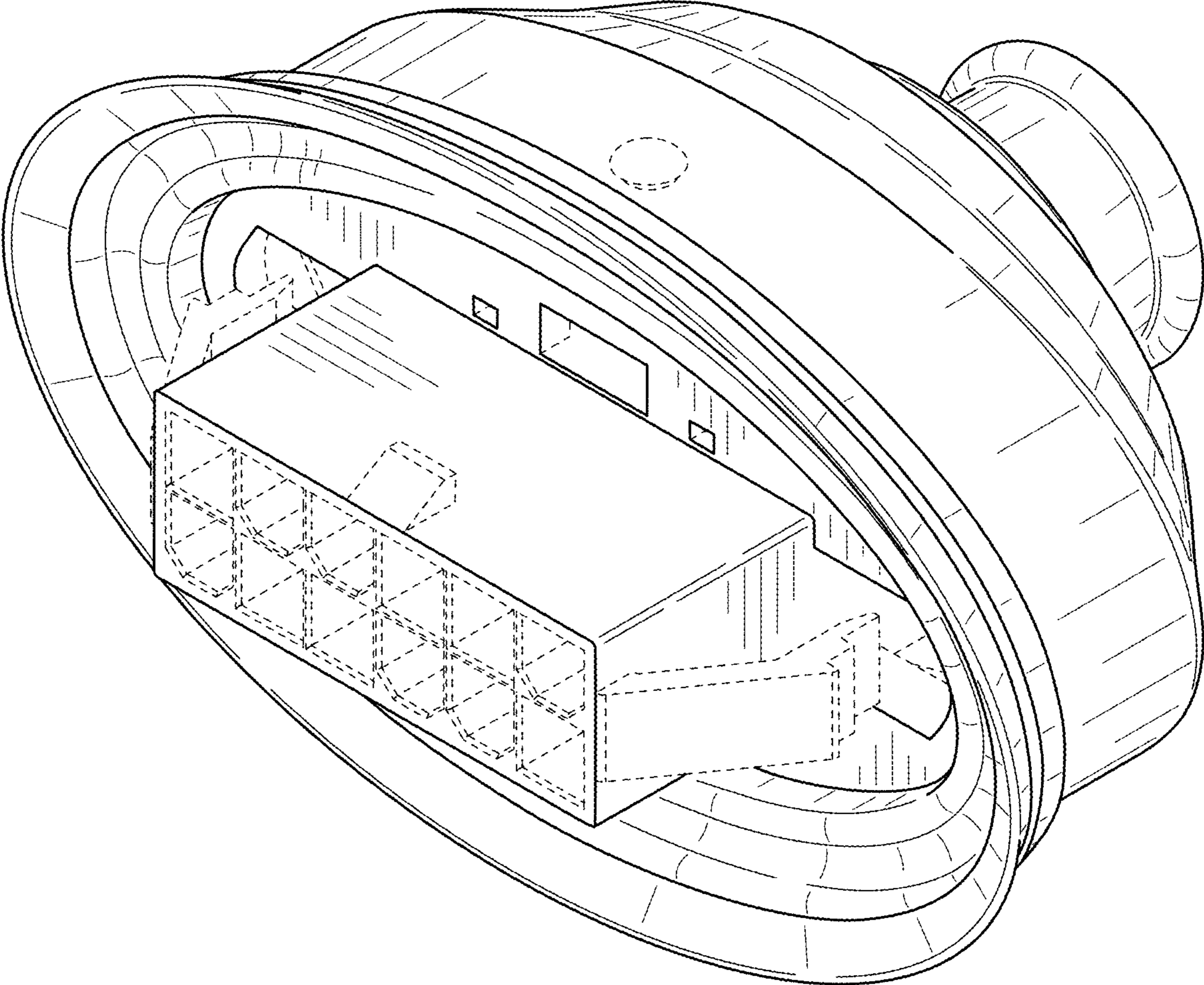


FIG. 9

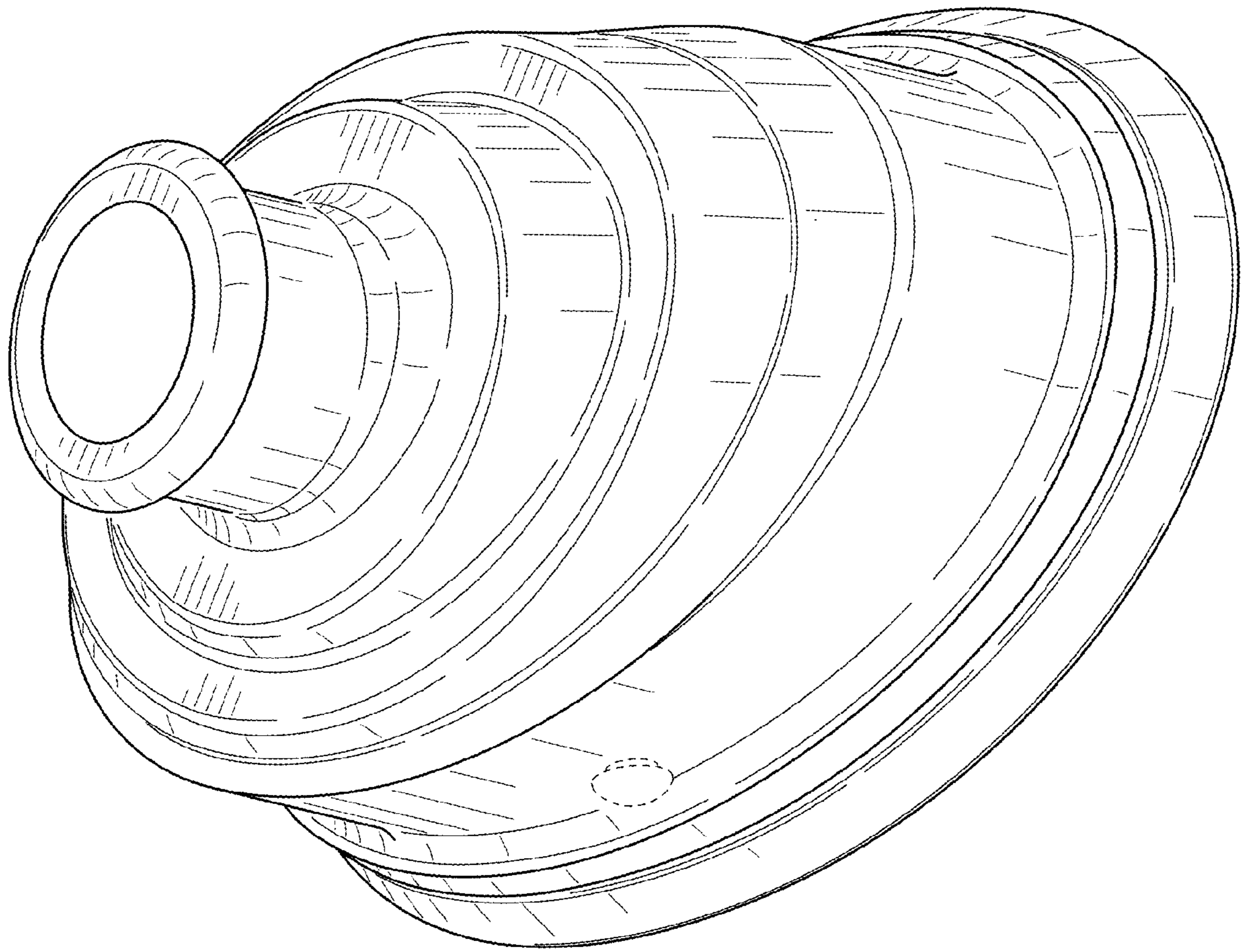


FIG. 10

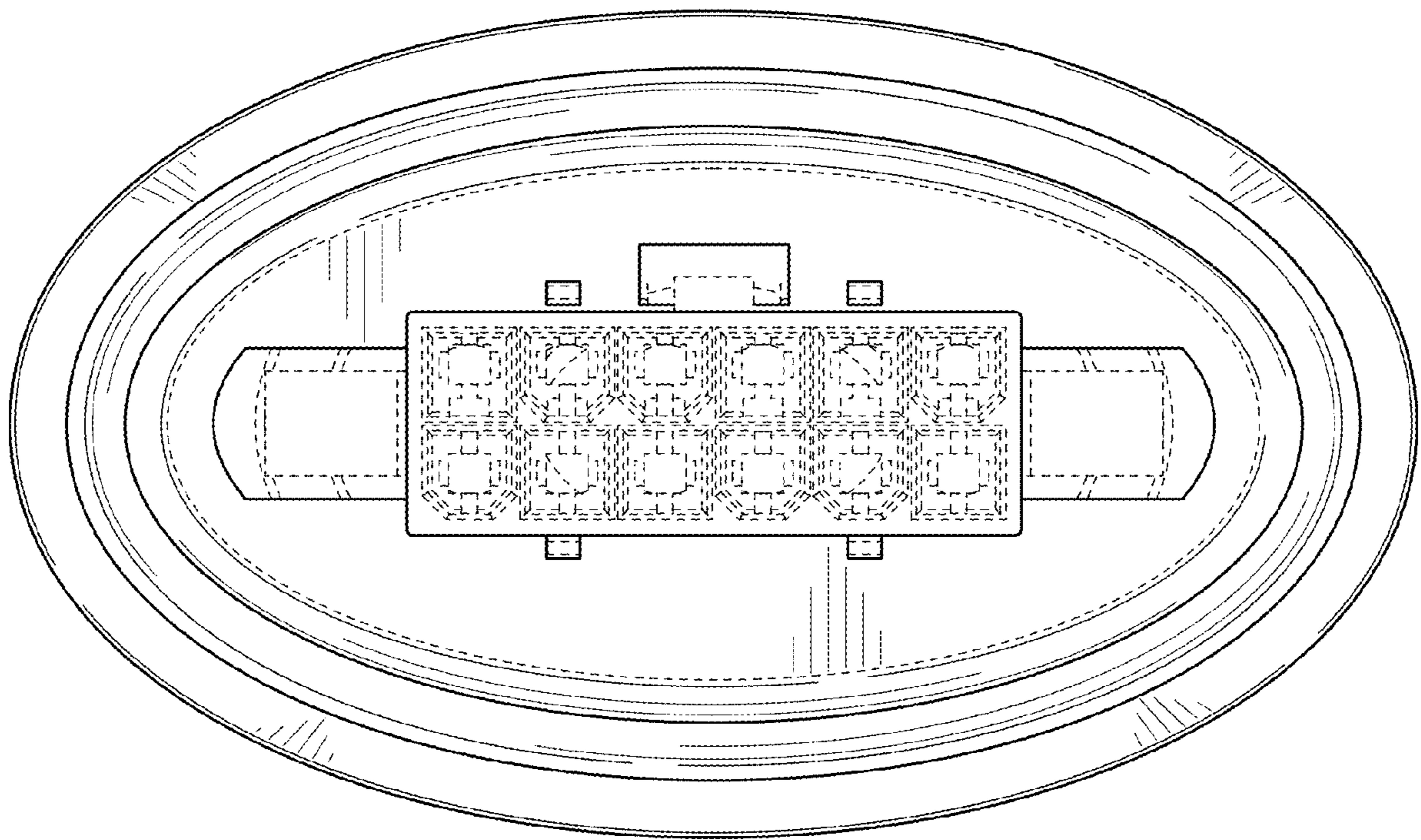


FIG. 11

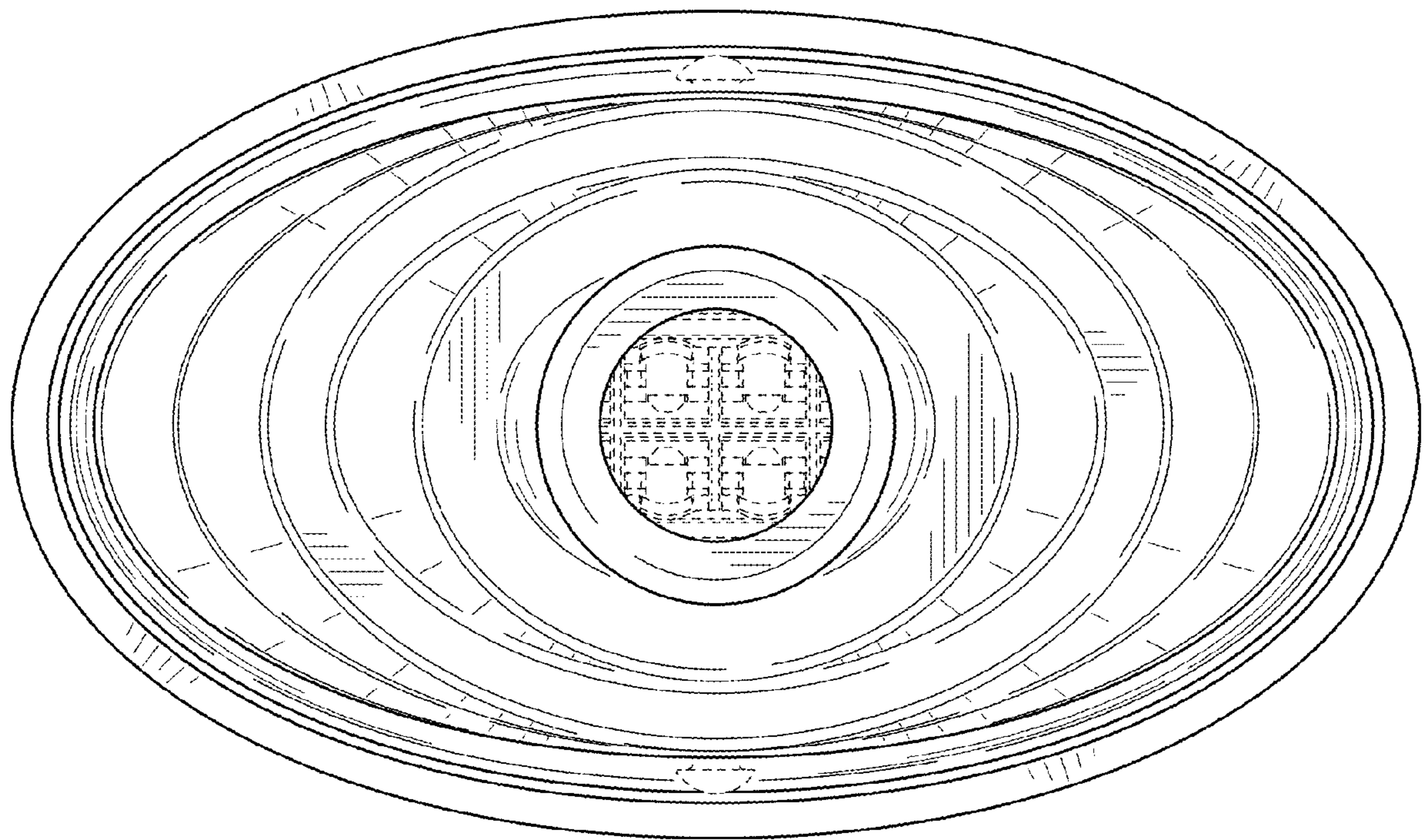


FIG. 12

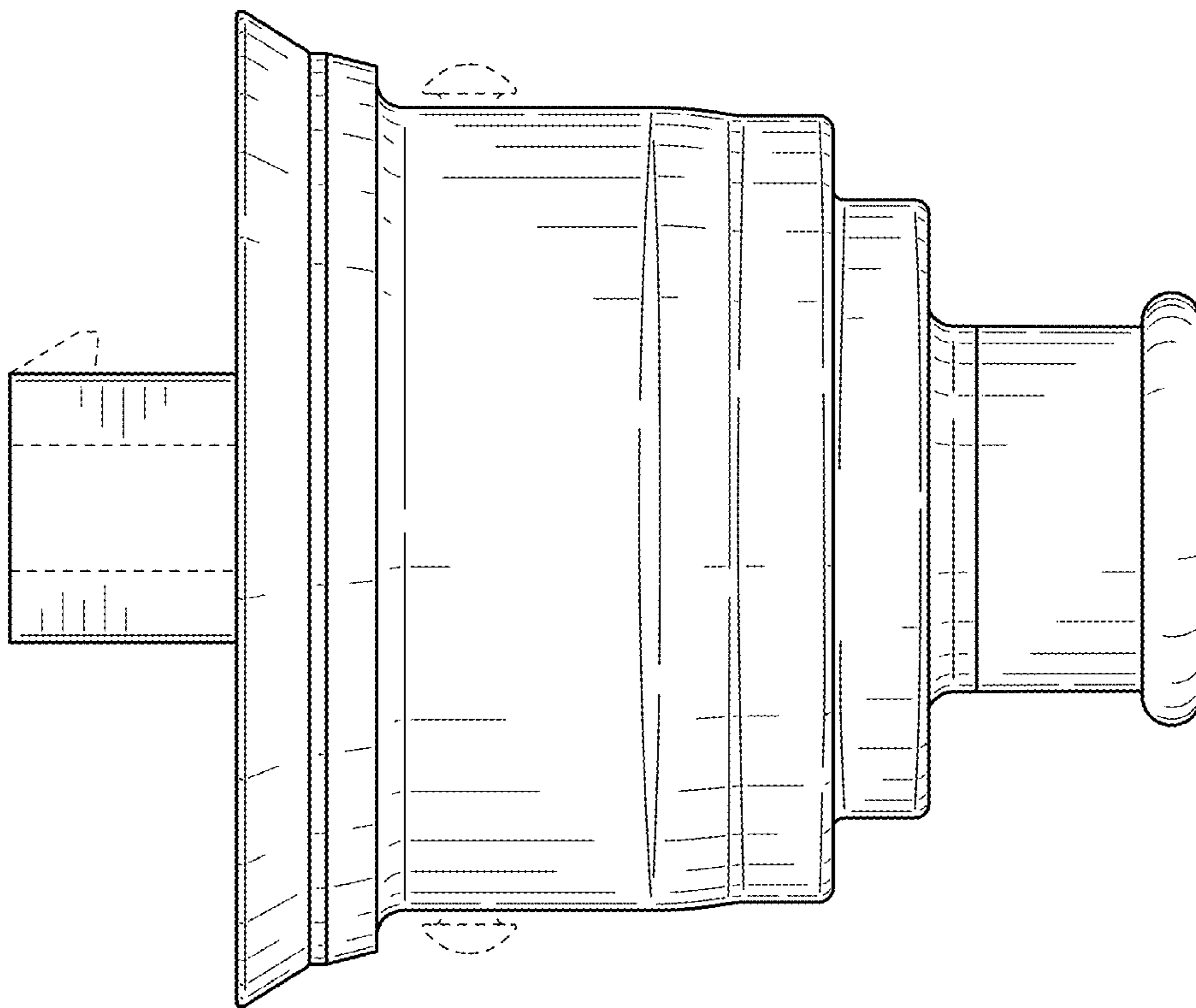


FIG. 13

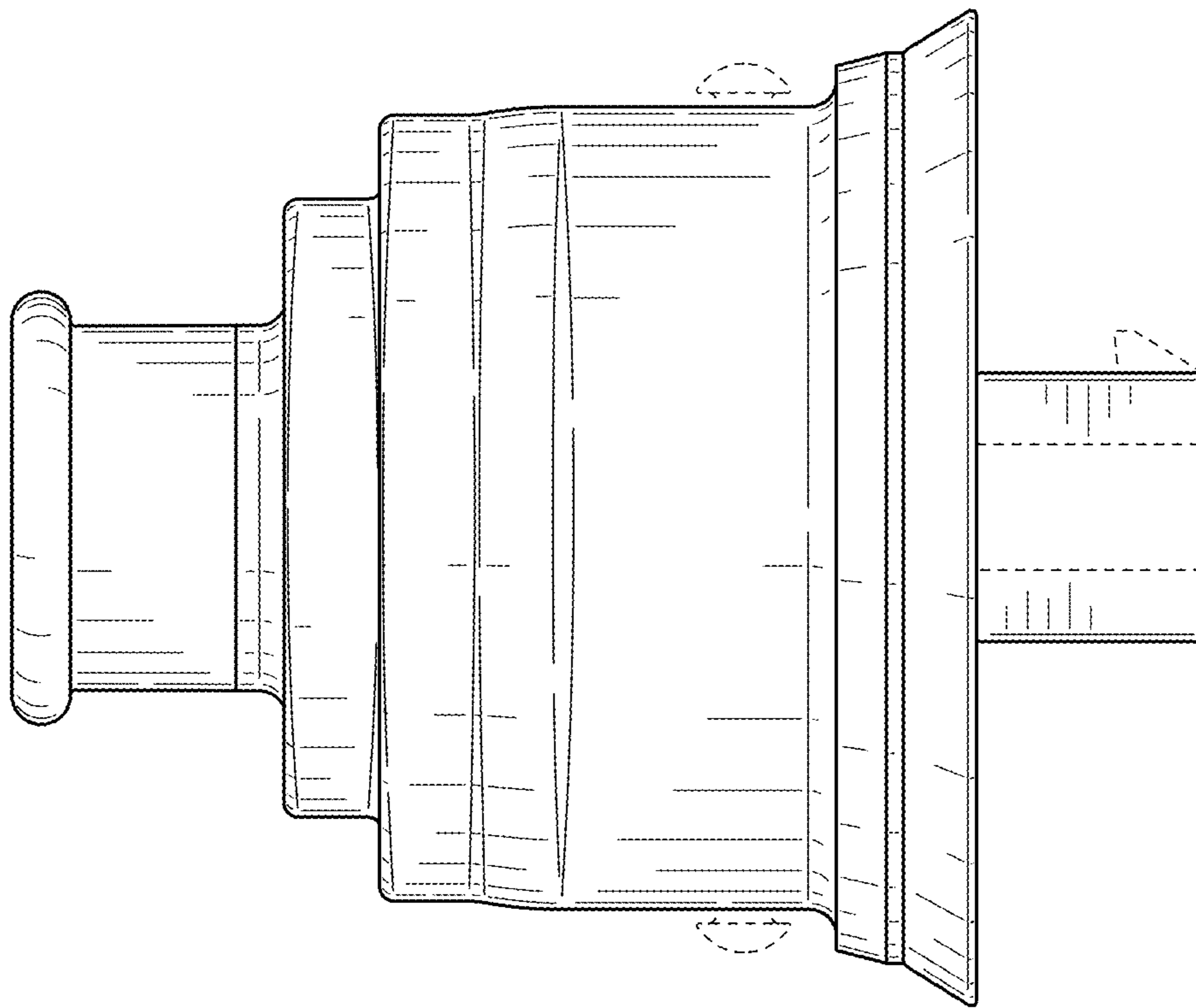


FIG. 14

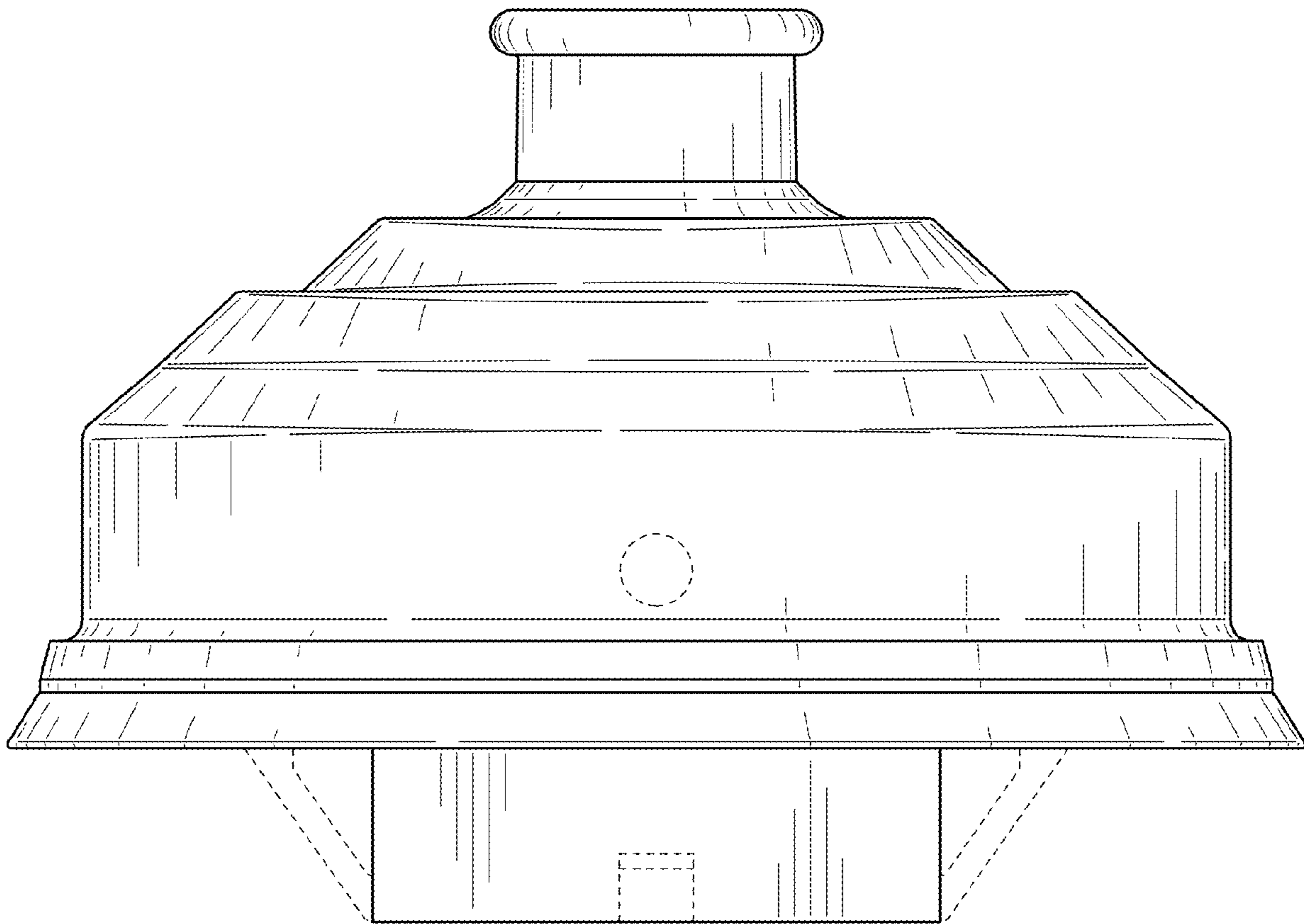


FIG. 15

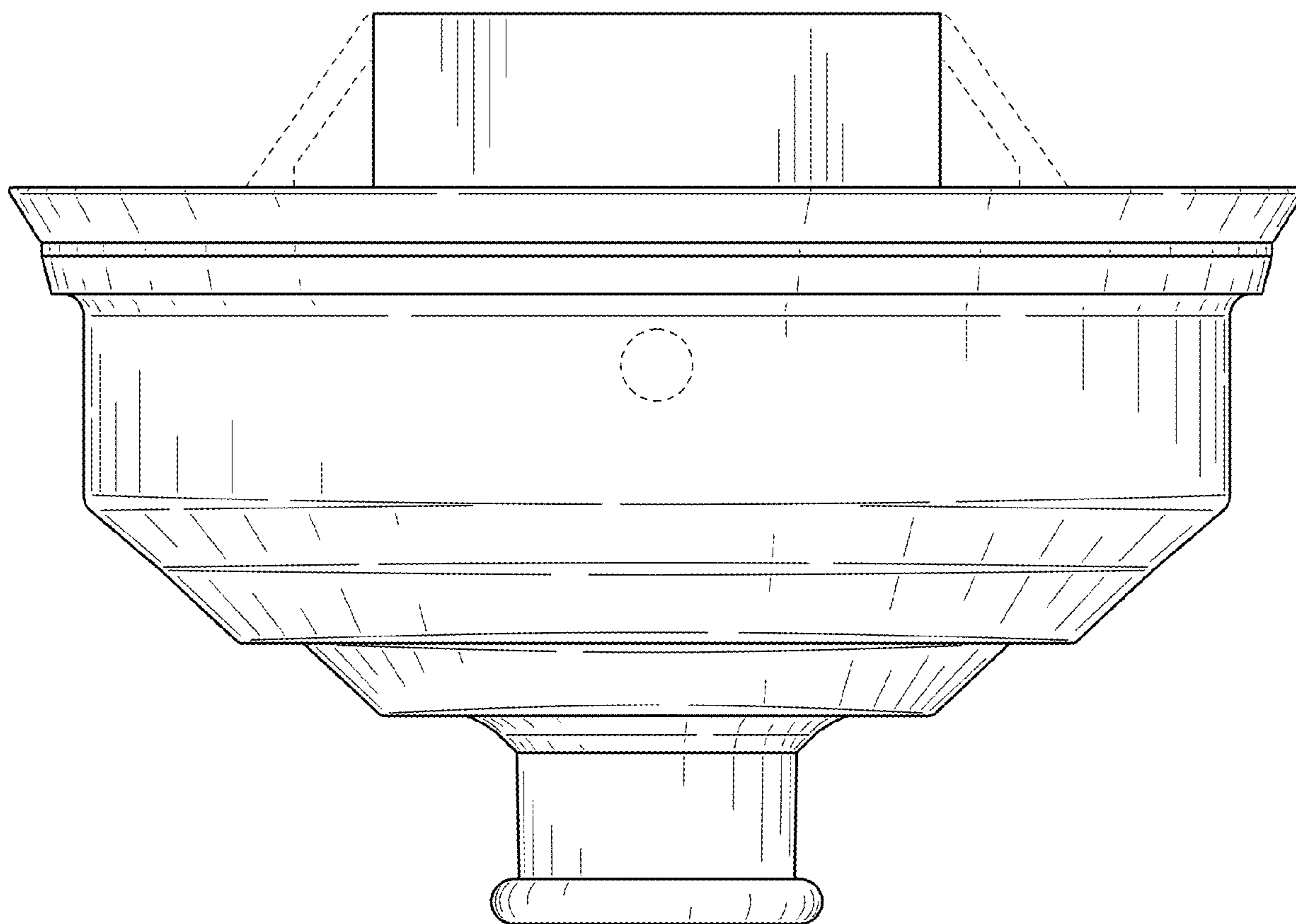


FIG. 16

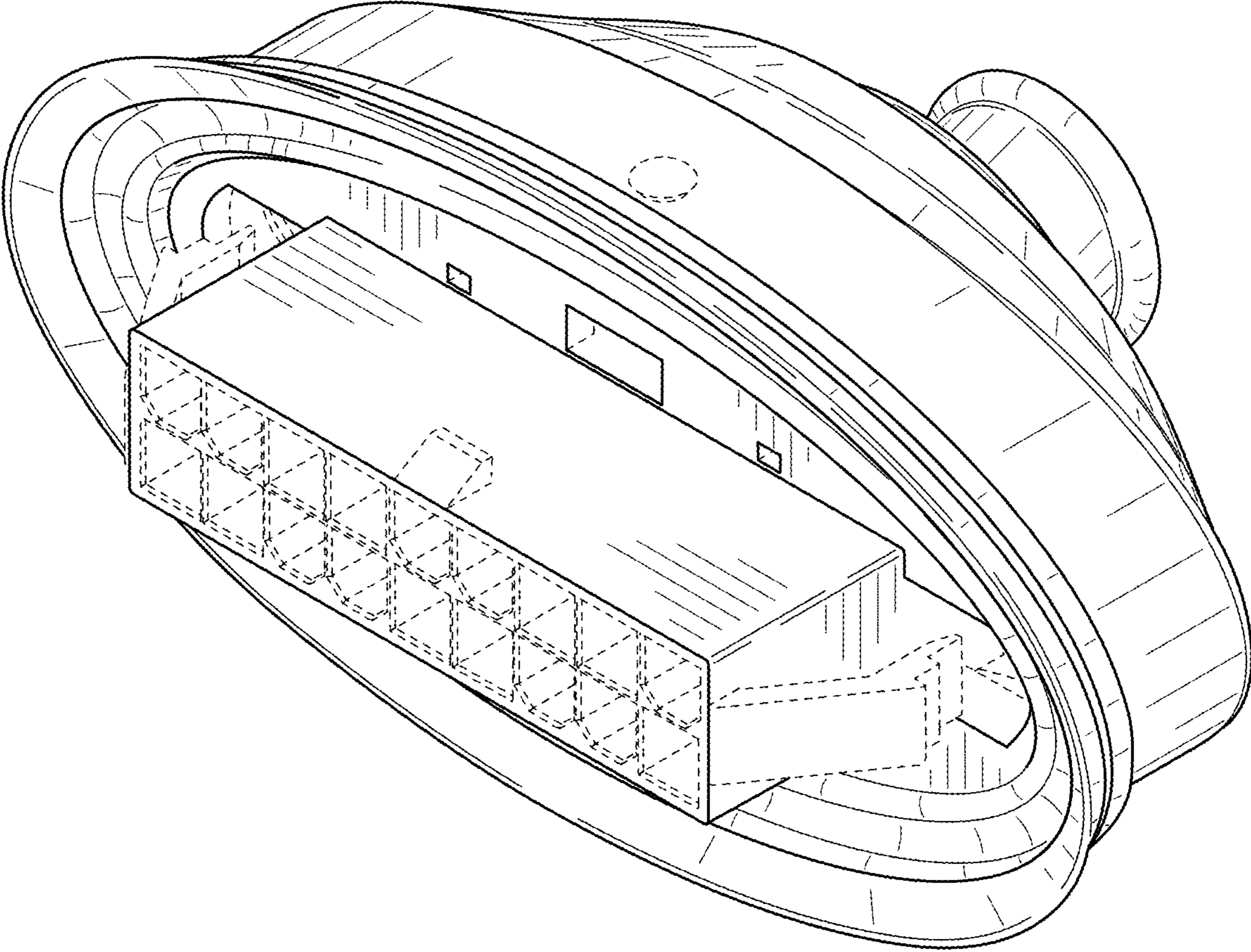


FIG. 17

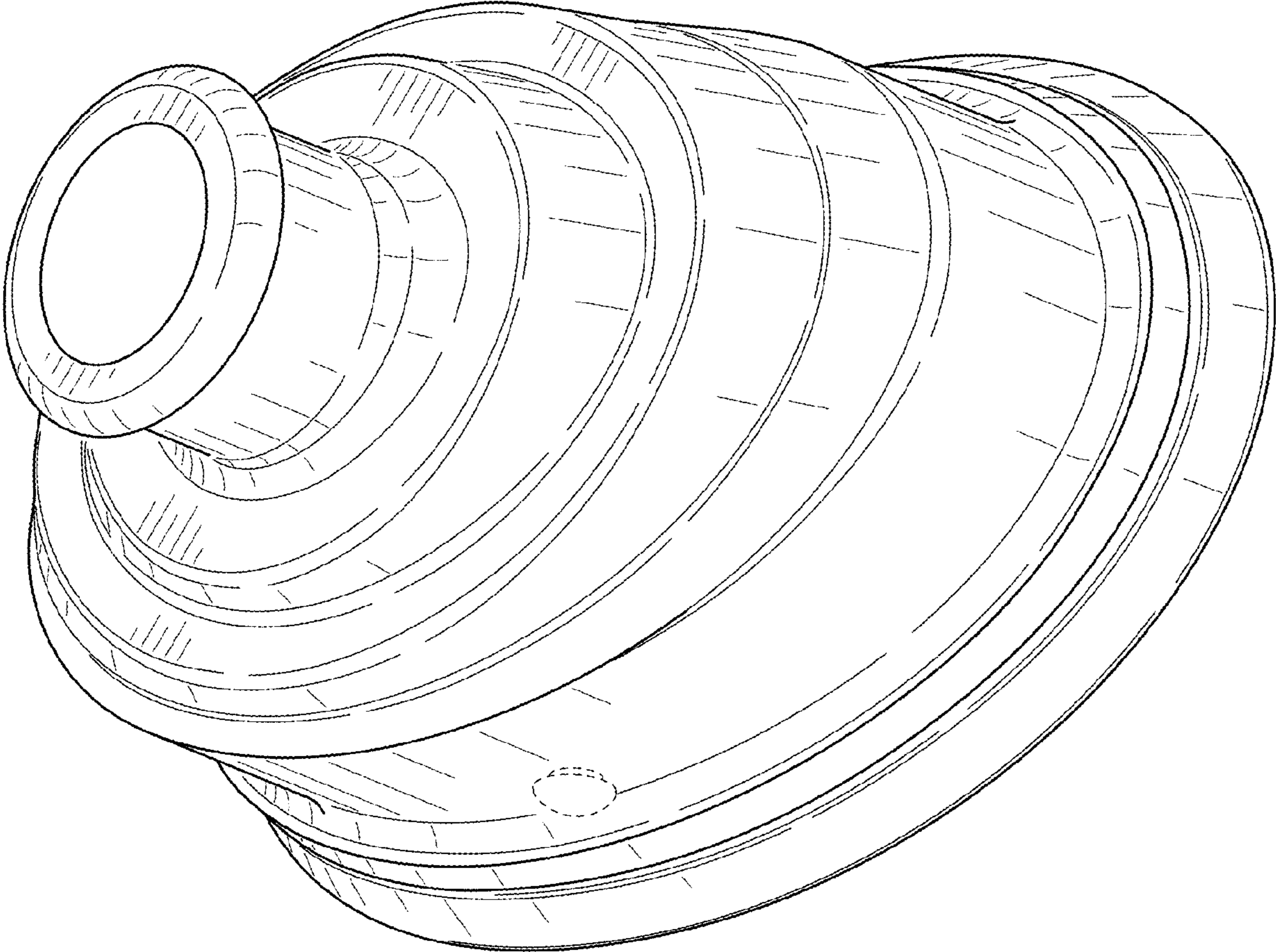


FIG. 18

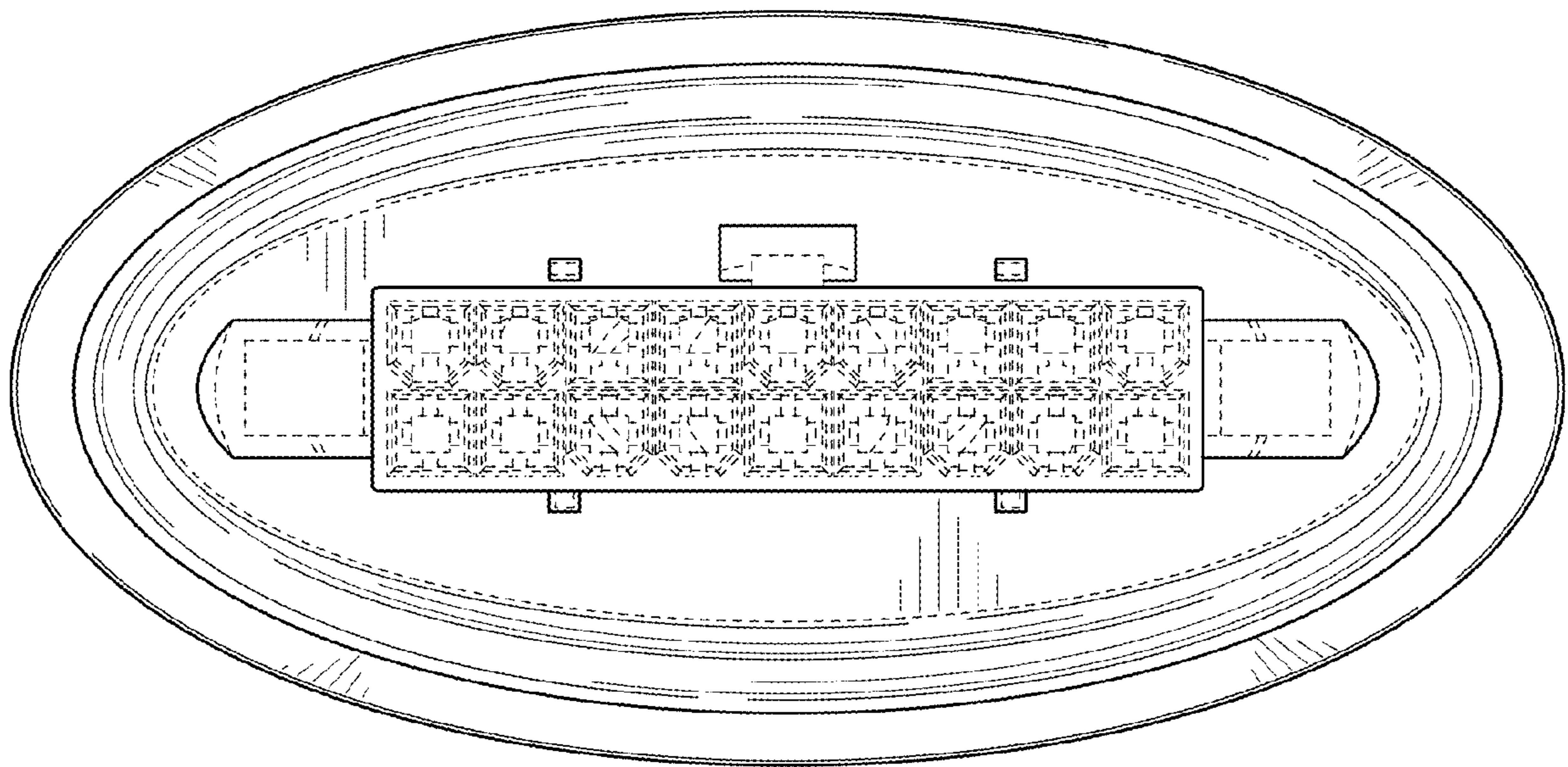


FIG. 19

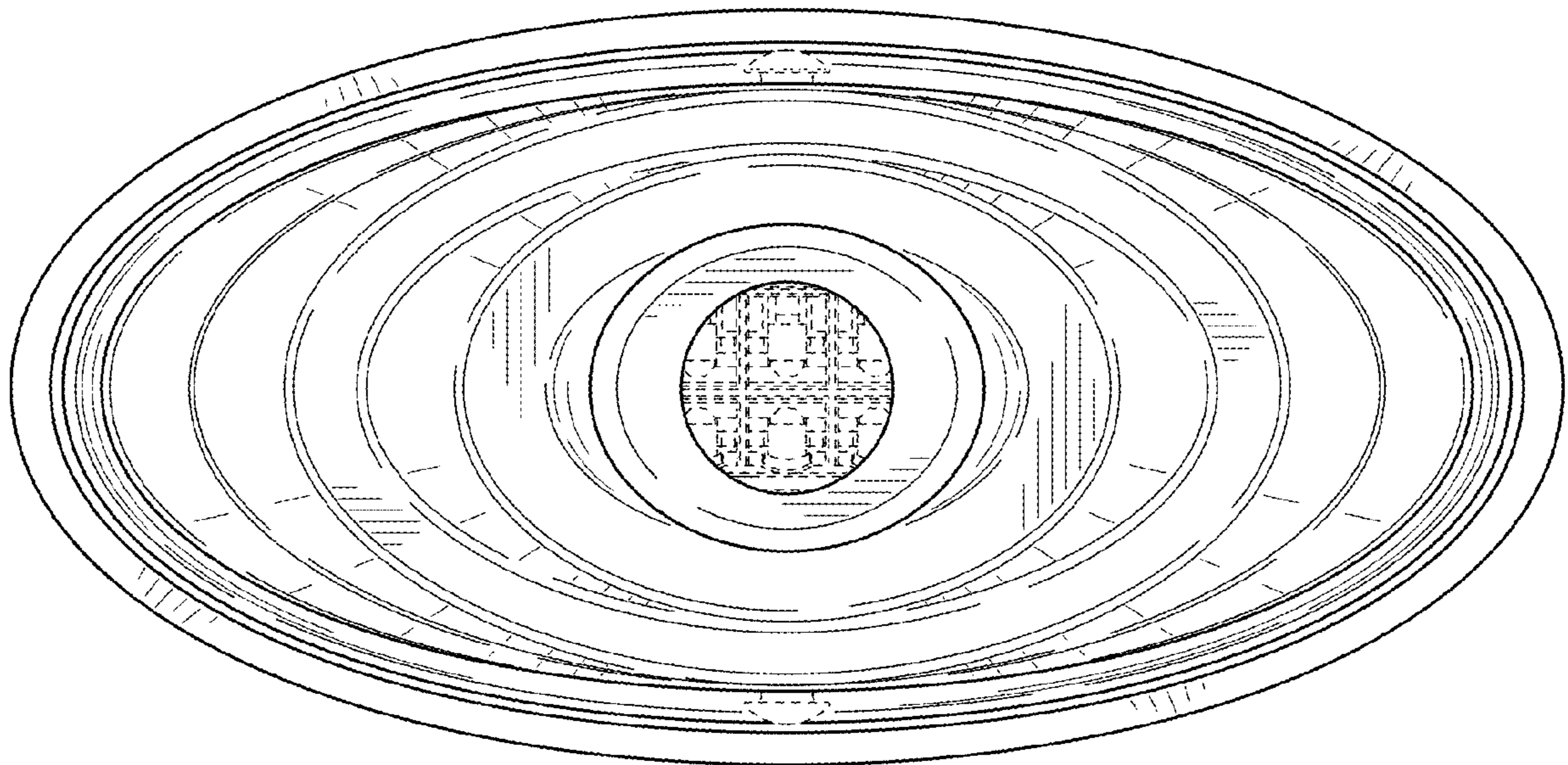


FIG. 20

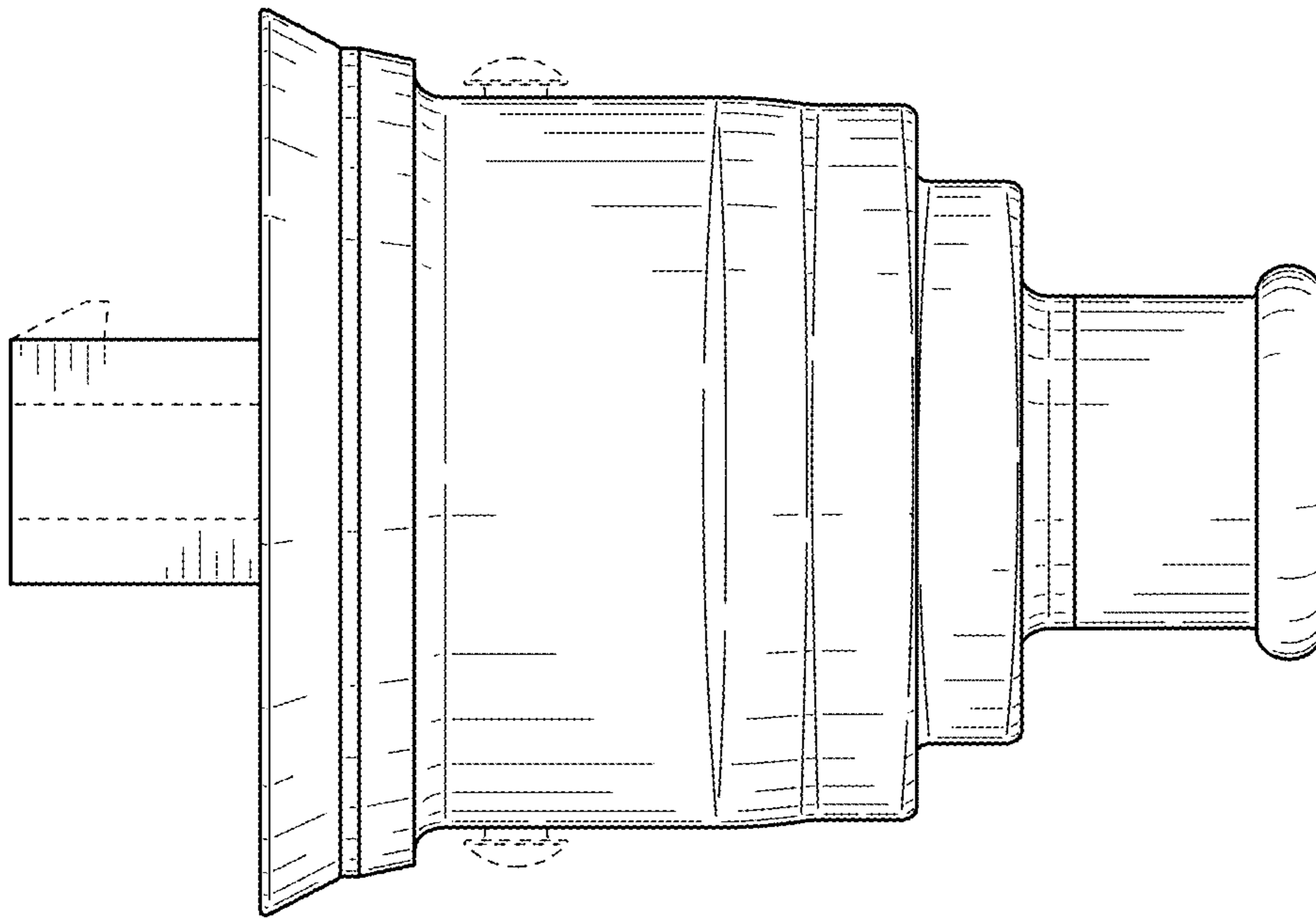


FIG. 21

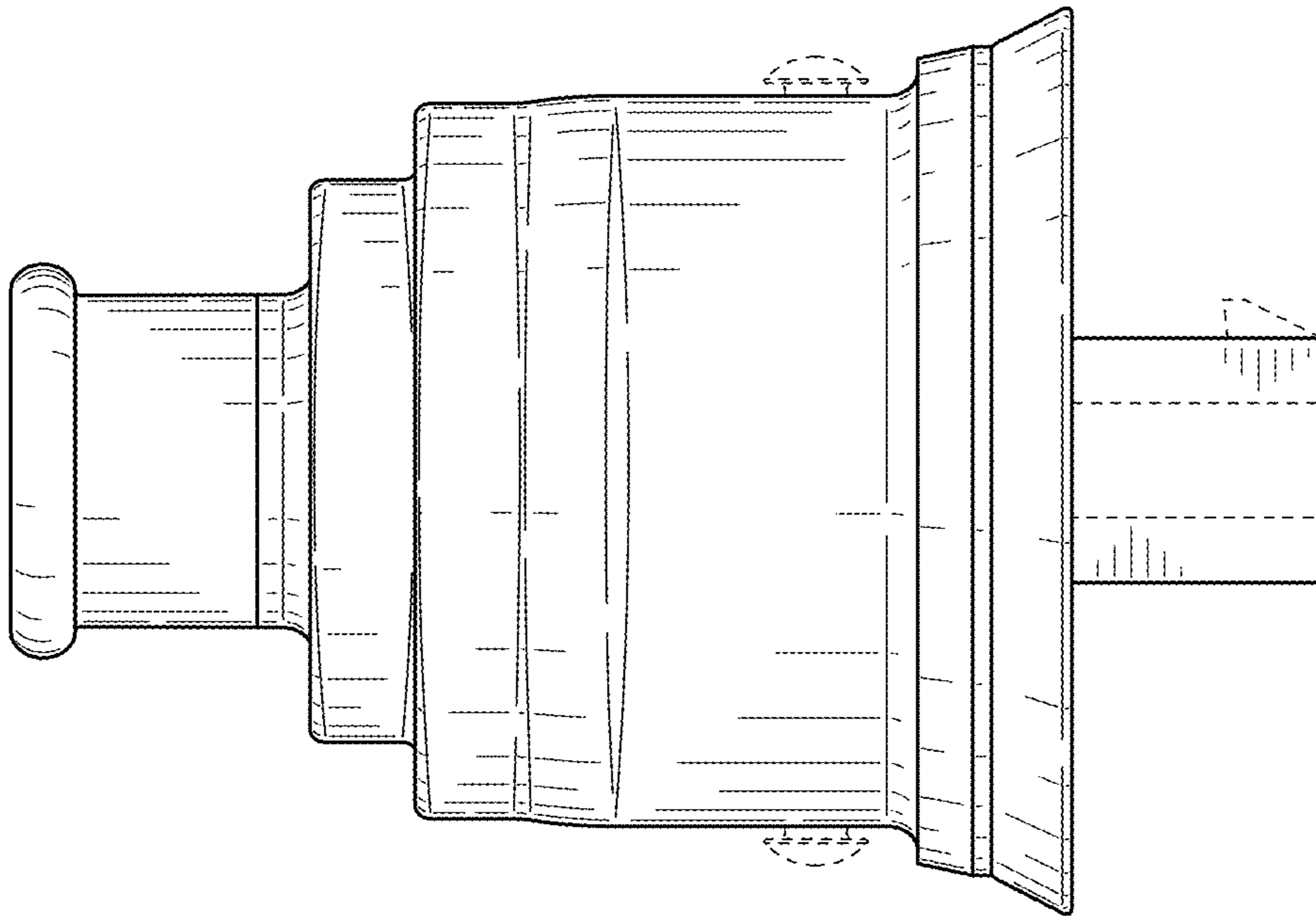


FIG. 22

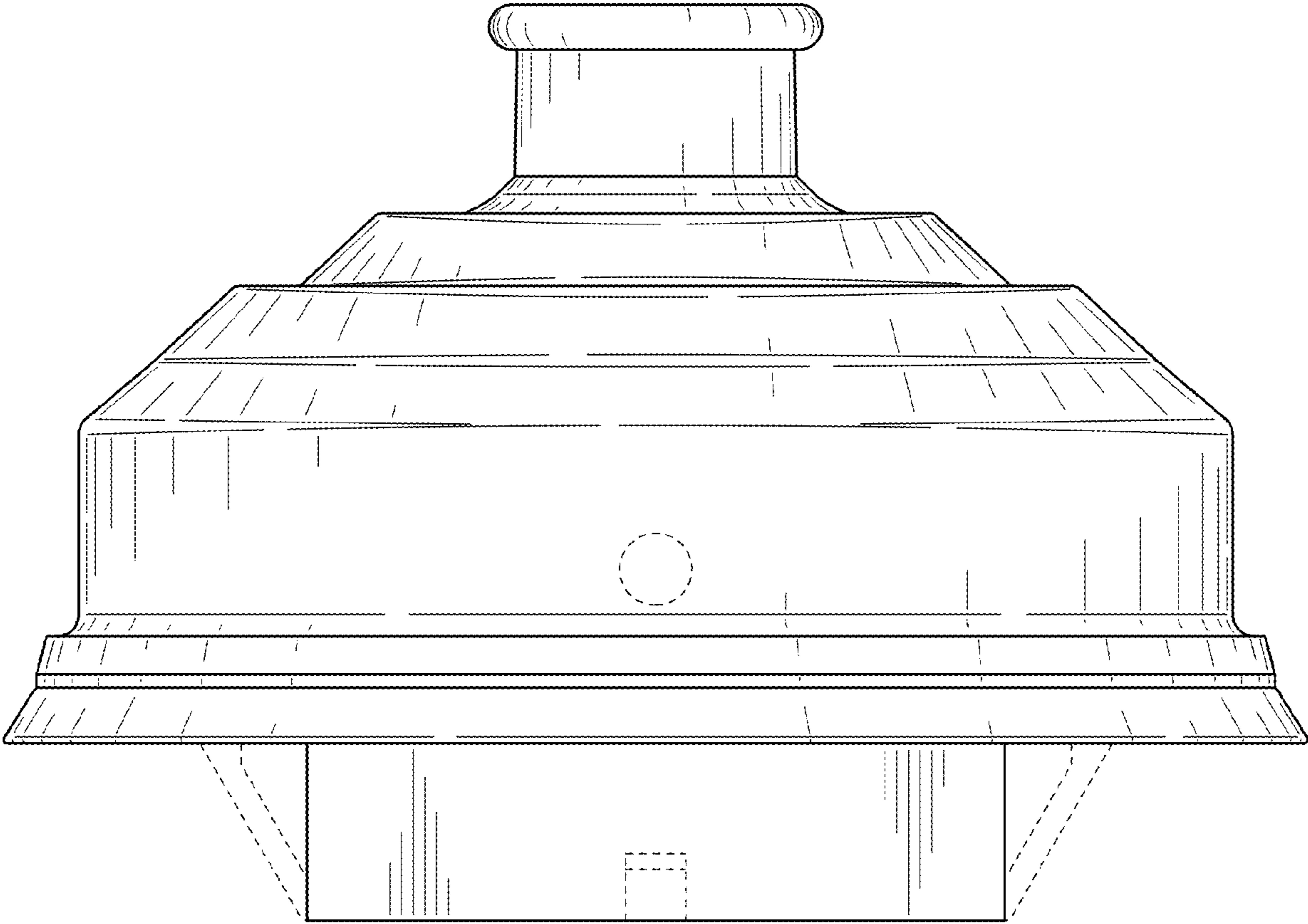


FIG. 23

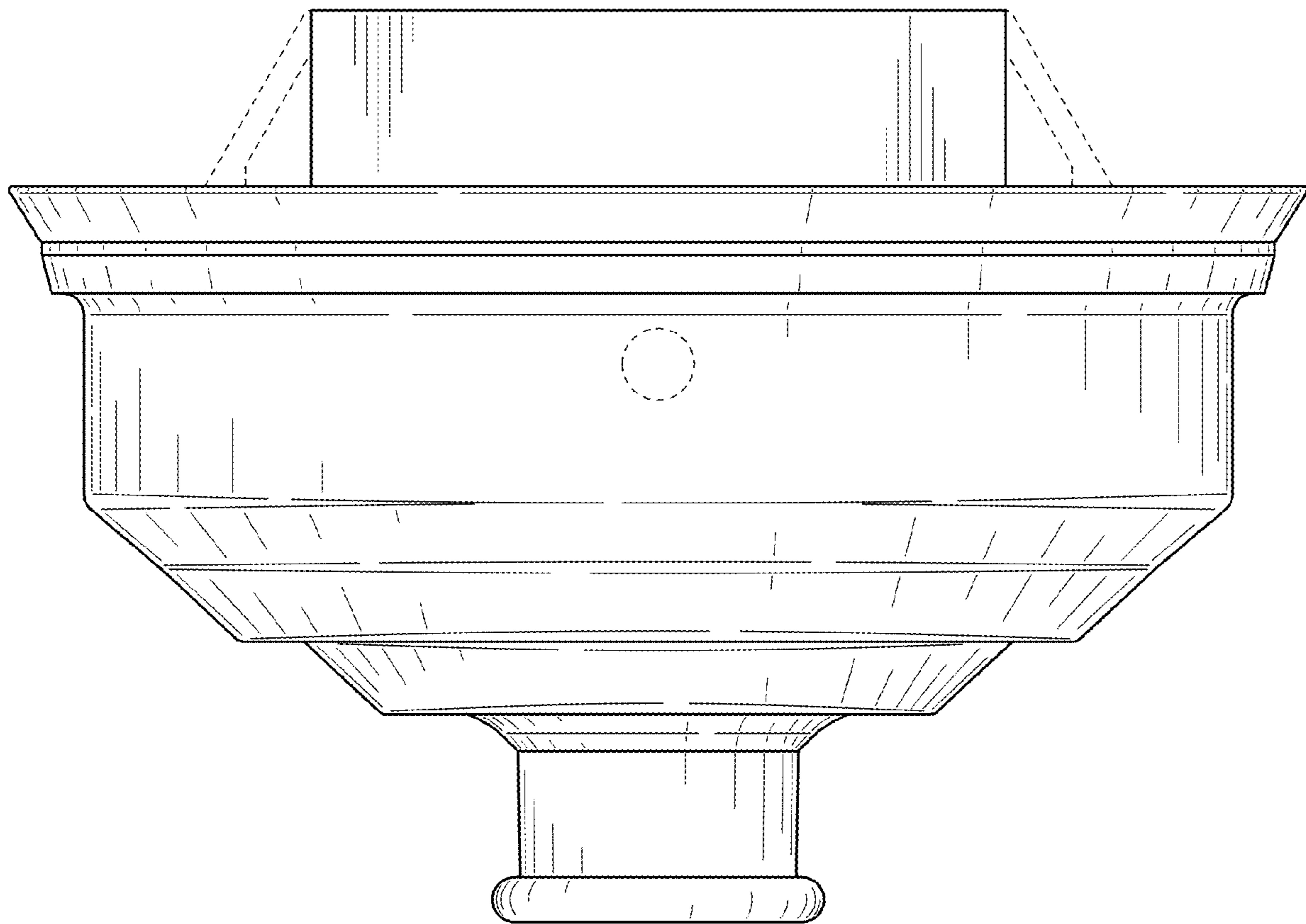


FIG. 24