

US00D936586S

(12) **United States Design Patent** (10) **Patent No.:** **US D936,586 S**
C et al. (45) **Date of Patent:** **** Nov. 23, 2021**

(54) **CONNECTOR**

(71) Applicant: **Molex, LLC**, Lisle, IL (US)

(72) Inventors: **Krishnamurthy C**, Bangalore (IN);
Harsha Thyagaraj, Bangalore (IN);
Pierre Perez, Aurora, IL (US)

(73) Assignee: **Molex, LLC**, Lisle, IL (US)

(**) Term: **15 Years**

(21) Appl. No.: **29/700,211**

(22) Filed: **Jul. 31, 2019**

(51) **LOC (13) Cl.** **13-03**

(52) **U.S. Cl.**
USPC **D13/133; D13/147**

(58) **Field of Classification Search**
USPC D13/110, 118, 120, 123, 133, 134, 135,
D13/146, 147, 149, 153, 154, 184, 199;
D14/433, 435; D26/74, 138
CPC .. H01R 13/506; H01R 13/516; H01R 13/518;
H01R 13/58; H01R 13/56315; H01R
13/62; H01R 13/64; H01R 13/641; H01R
9/09; H01R 9/11
See application file for complete search history.

(56) **References Cited**

U.S. PATENT DOCUMENTS

3,432,802 A * 3/1969 Eugene H01R 13/506
439/465
5,658,156 A * 8/1997 Henderson H01R 12/716
439/79

(Continued)

FOREIGN PATENT DOCUMENTS

WO D206920-015 * 7/2020

Primary Examiner — Brandon M Rosati

Assistant Examiner — Michael Chong

(74) *Attorney, Agent, or Firm* — Banner & Witcoff, Ltd.

(57) **CLAIM**

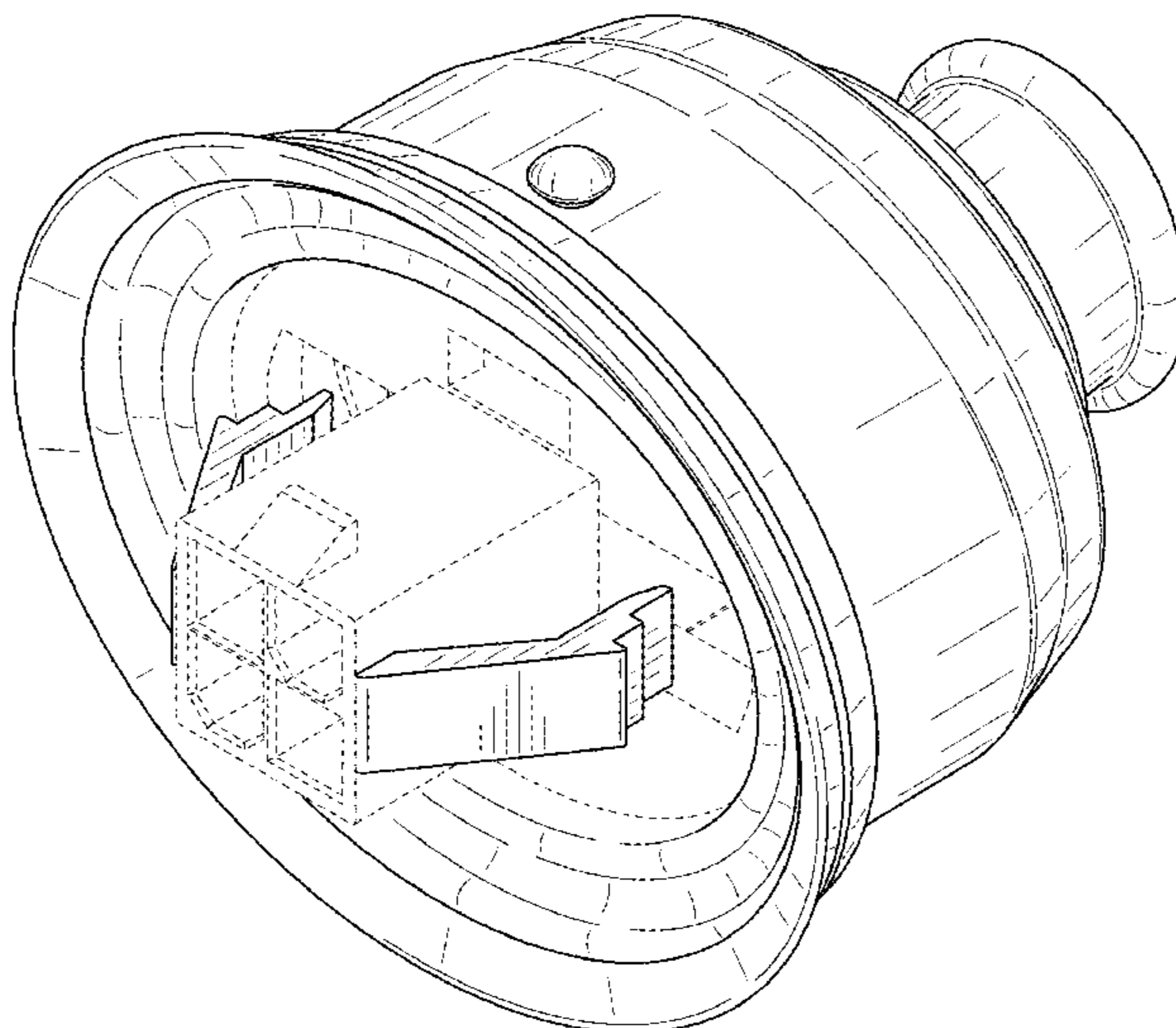
The ornamental design for a connector, as shown and described.

DESCRIPTION

FIG. 1 is a front perspective view of a connector showing our new design;
FIG. 2 is a rear perspective view thereof;
FIG. 3 is a front view thereof;
FIG. 4 is a rear view thereof;
FIG. 5 is a right side view thereof;
FIG. 6 is a left side view thereof;
FIG. 7 is a top view thereof;
FIG. 8 is a bottom view thereof;
FIG. 9 is a front perspective view of an alternate embodiment of a connector showing our new design;
FIG. 10 is a rear perspective view thereof;
FIG. 11 is a front view thereof;
FIG. 12 is a rear view thereof;
FIG. 13 is a right side view thereof;
FIG. 14 is a left side view thereof;
FIG. 15 is a top view thereof;
FIG. 16 is a bottom view thereof;
FIG. 17 is a front perspective view of an alternate embodiment of a connector showing our new design;
FIG. 18 is a rear perspective view thereof;
FIG. 19 is a front view thereof;
FIG. 20 is a rear view thereof;
FIG. 21 is a right side view thereof;
FIG. 22 is a left side view thereof;
FIG. 23 is a top view thereof; and
FIG. 24 is a bottom view thereof.

The unshaded interior lip visible in FIGS. 2, 10, and 18 forms no part of the claimed design. The broken lines immediately adjacent to the shaded areas represent the bounds of the claimed design and form no part thereof. The unshaded broken line regions and features form no part of the claimed design.

1 Claim, 23 Drawing Sheets



(56)

References Cited

U.S. PATENT DOCUMENTS

5,697,805 A * 12/1997 Orstad H01R 13/6315
439/374
D402,959 S * 12/1998 Harada D13/134
D402,960 S * 12/1998 Harada D13/134
D402,961 S * 12/1998 Harada D13/134
D410,629 S * 6/1999 Bandura D13/147
D434,384 S * 11/2000 Hwang D13/147
D463,371 S * 9/2002 Lee D13/147
D488,778 S * 4/2004 Ushiro D13/133
D726,950 S 4/2015 Serwacki et al.
D745,211 S 12/2015 Serwacki et al.
D747,540 S 1/2016 Serwacki et al.
D810,033 S * 2/2018 Otsuka D13/173
D840,938 S * 2/2019 Hsu D13/147
10,236,586 B2 * 3/2019 Zelenski H01Q 13/0208
D887,986 S * 6/2020 Ganamukhi D13/147

* cited by examiner

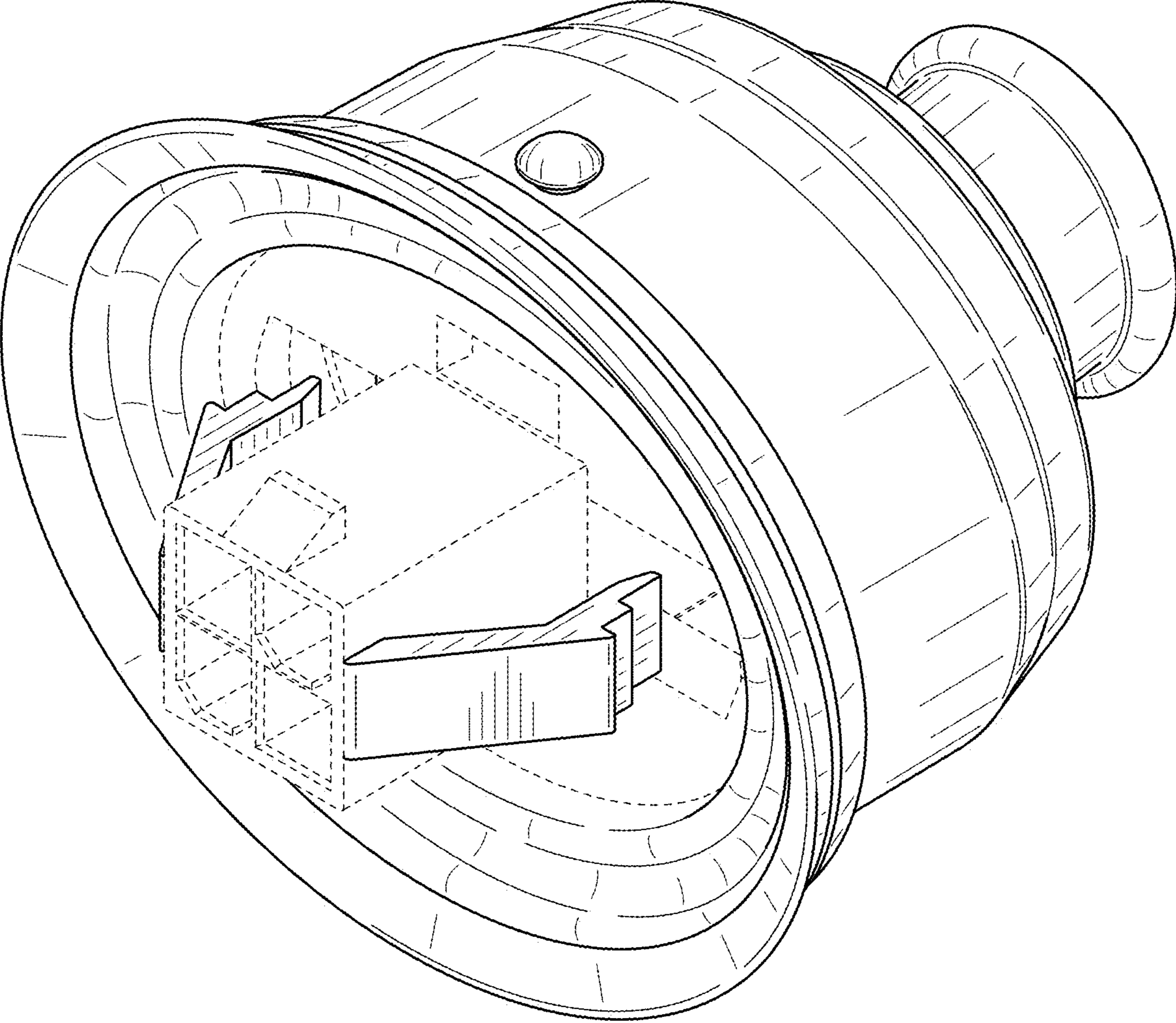


FIG. 1

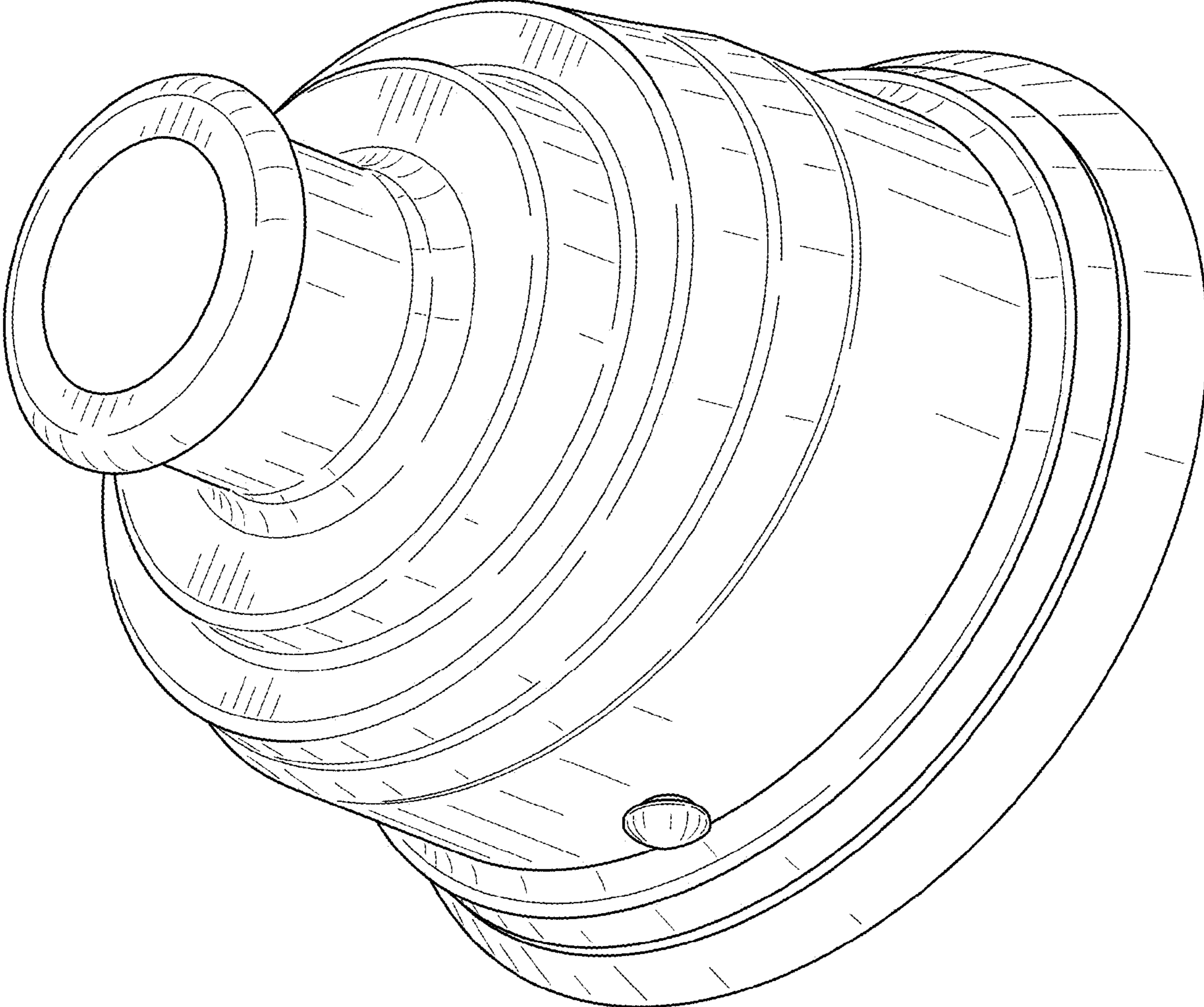


FIG. 2

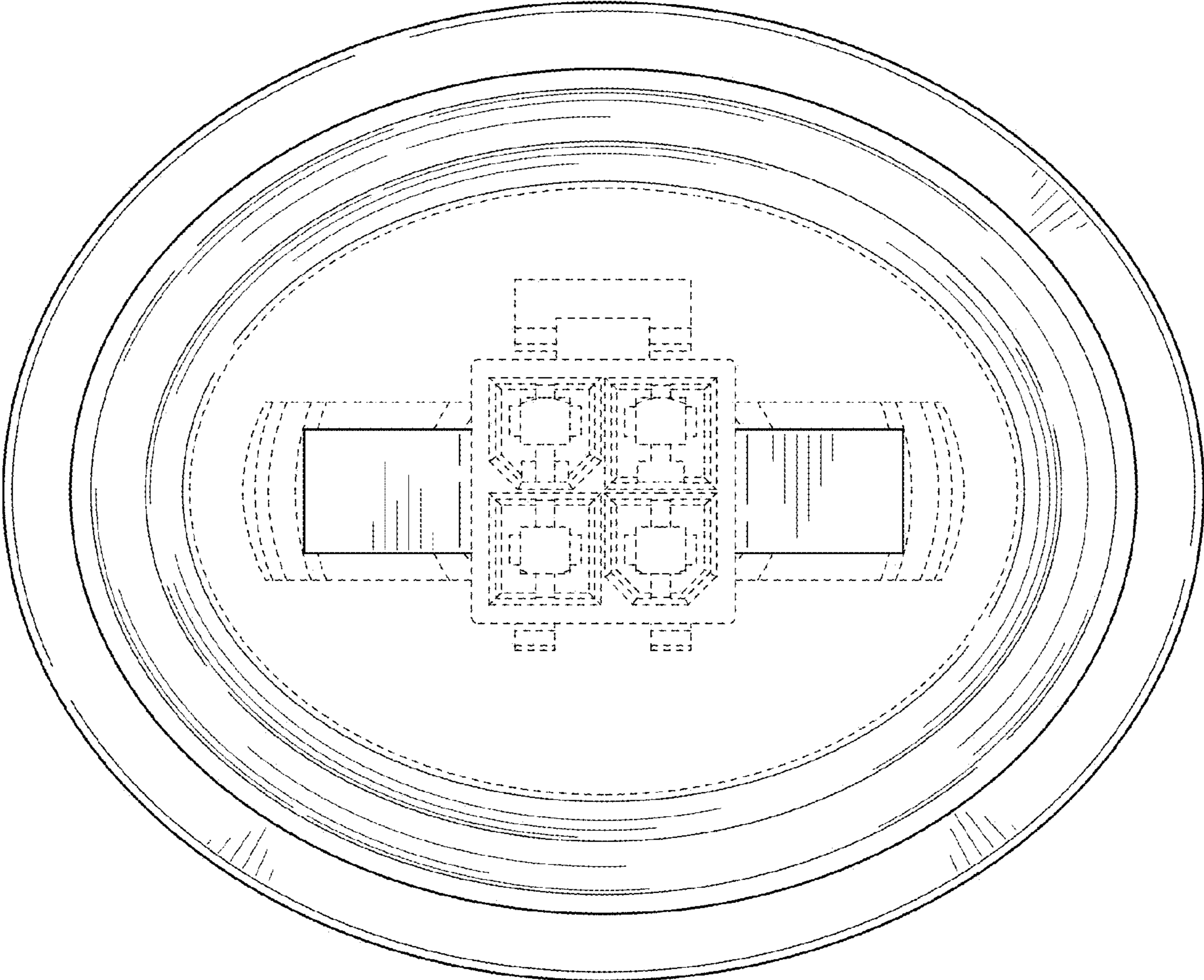


FIG. 3

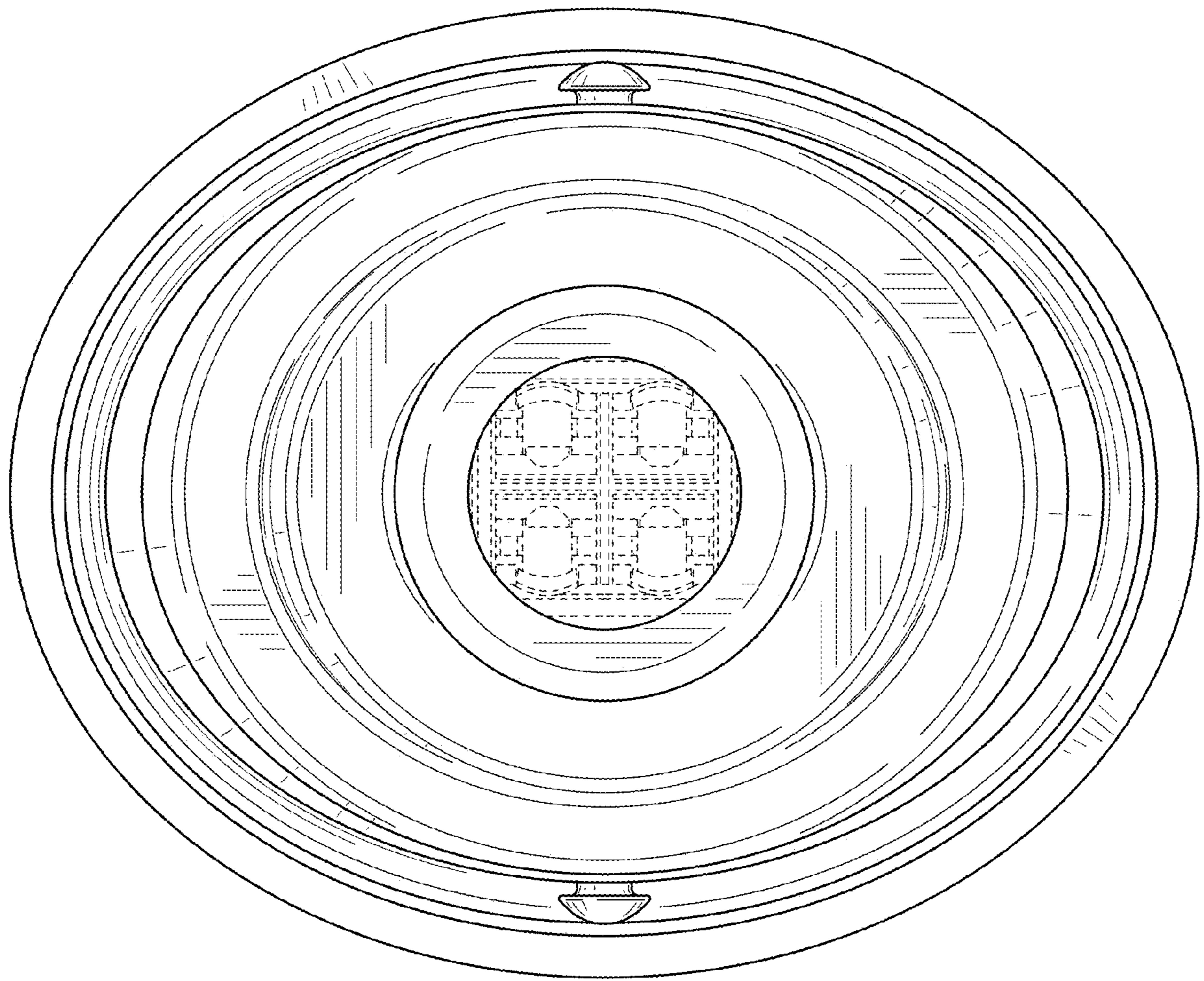


FIG. 4

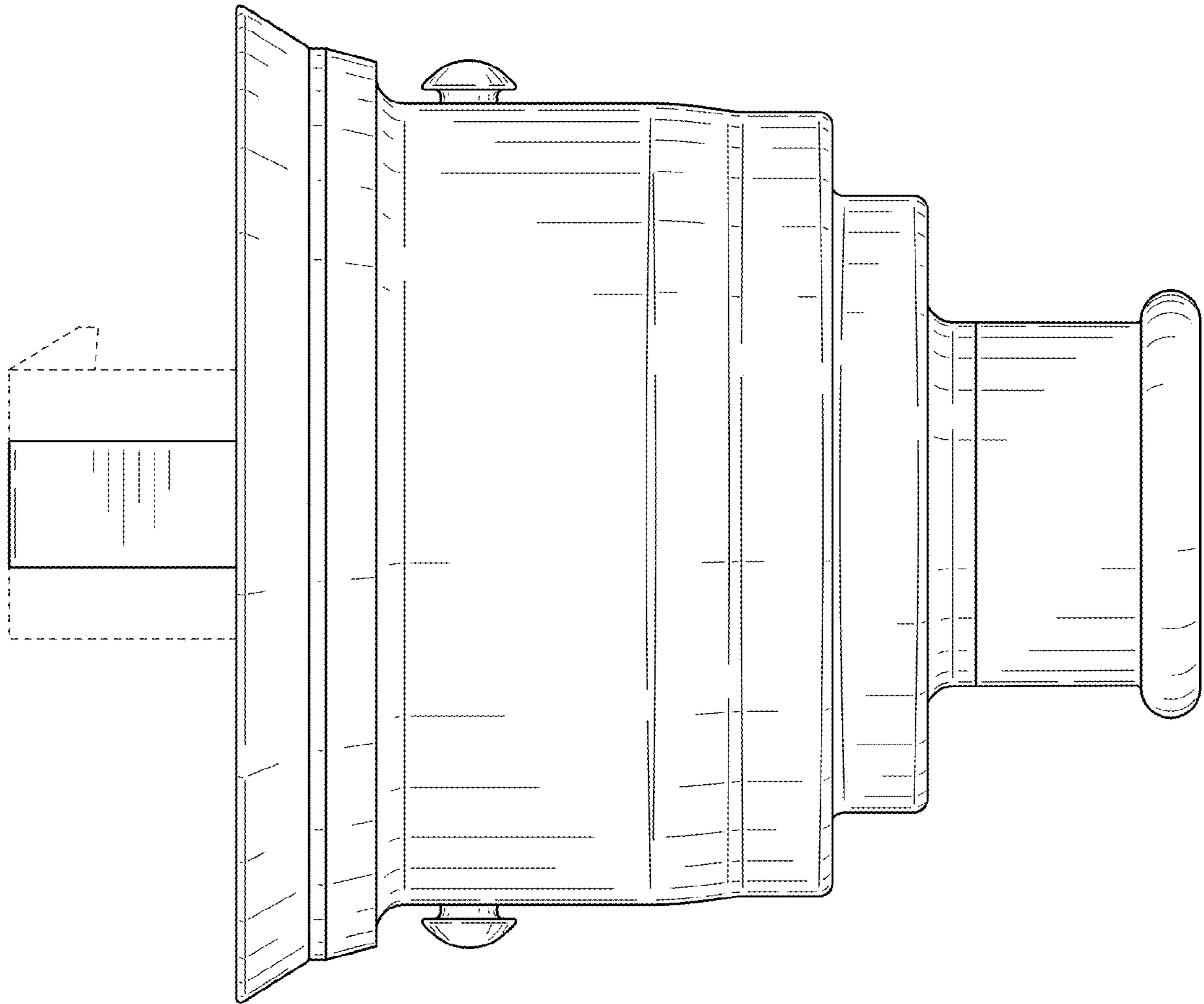


FIG. 5

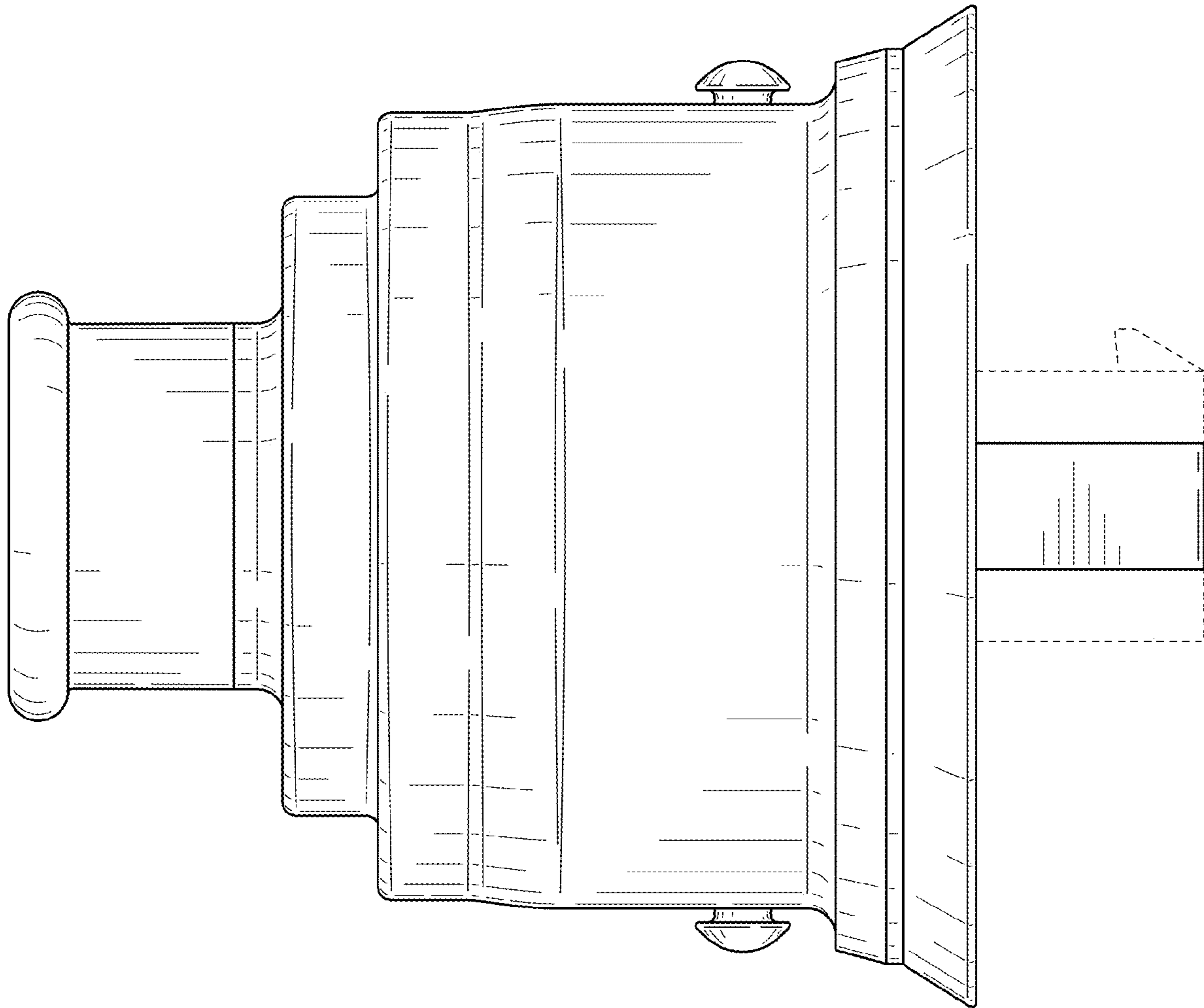


FIG. 6

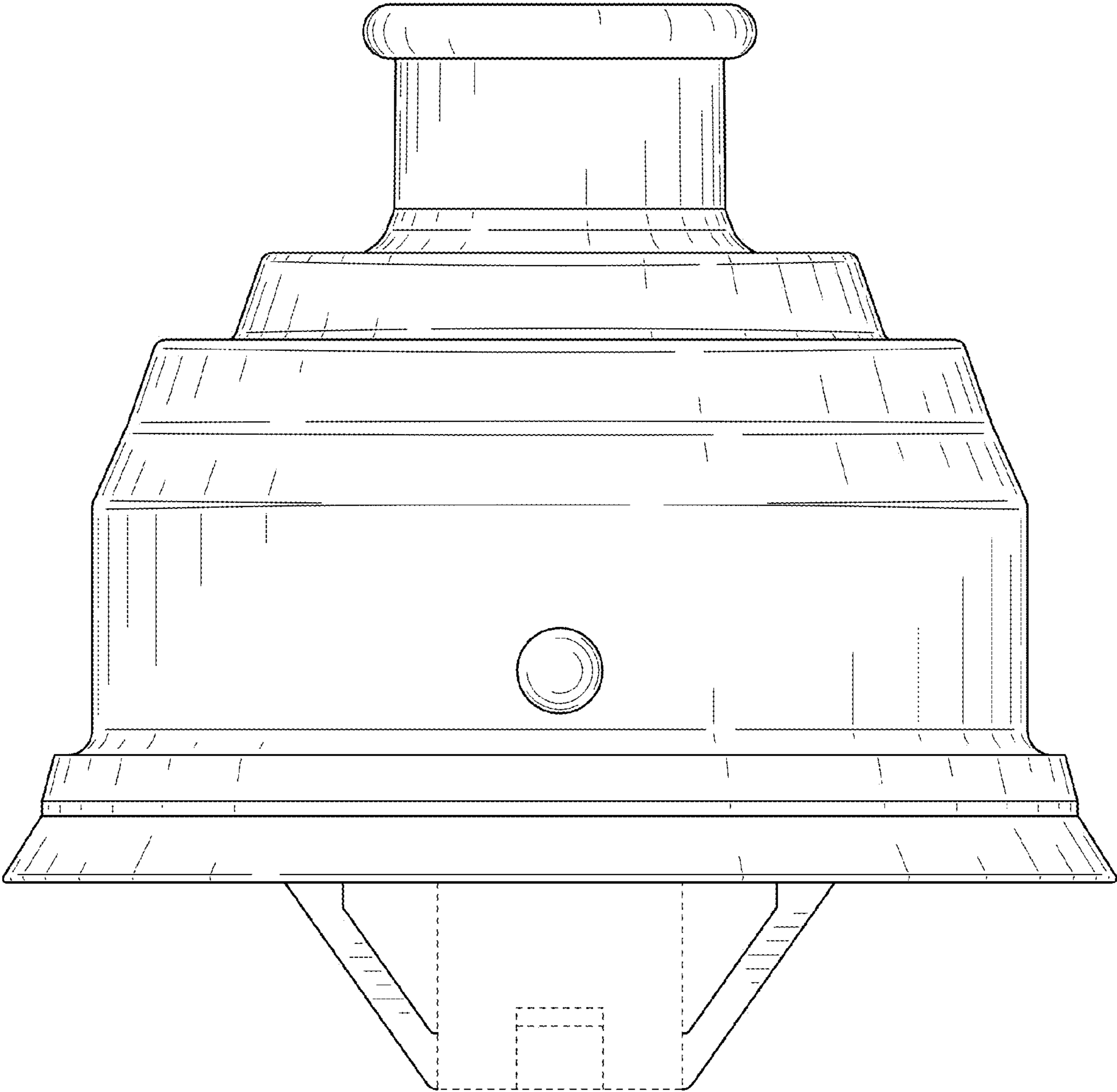


FIG. 7

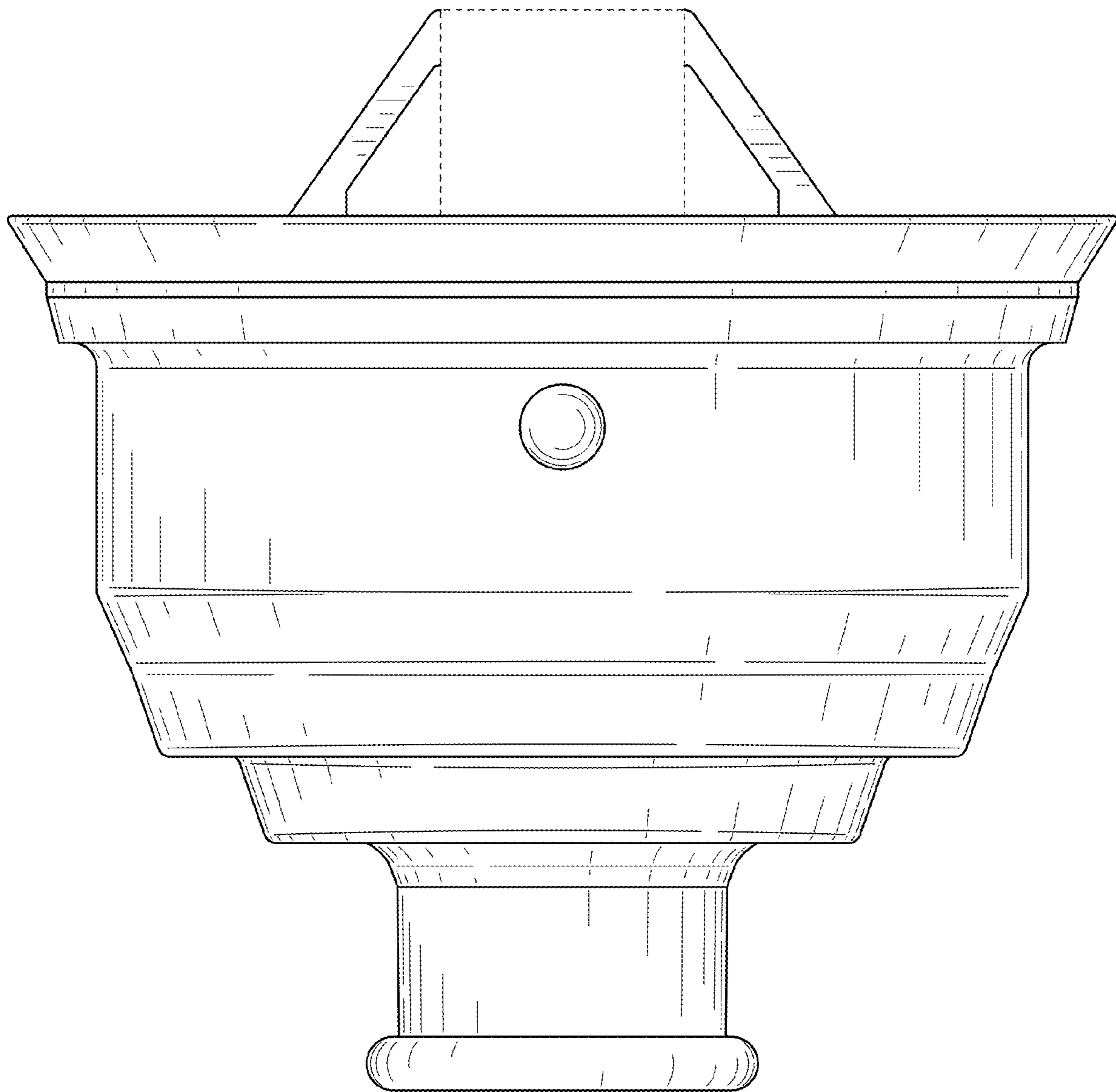


FIG. 8

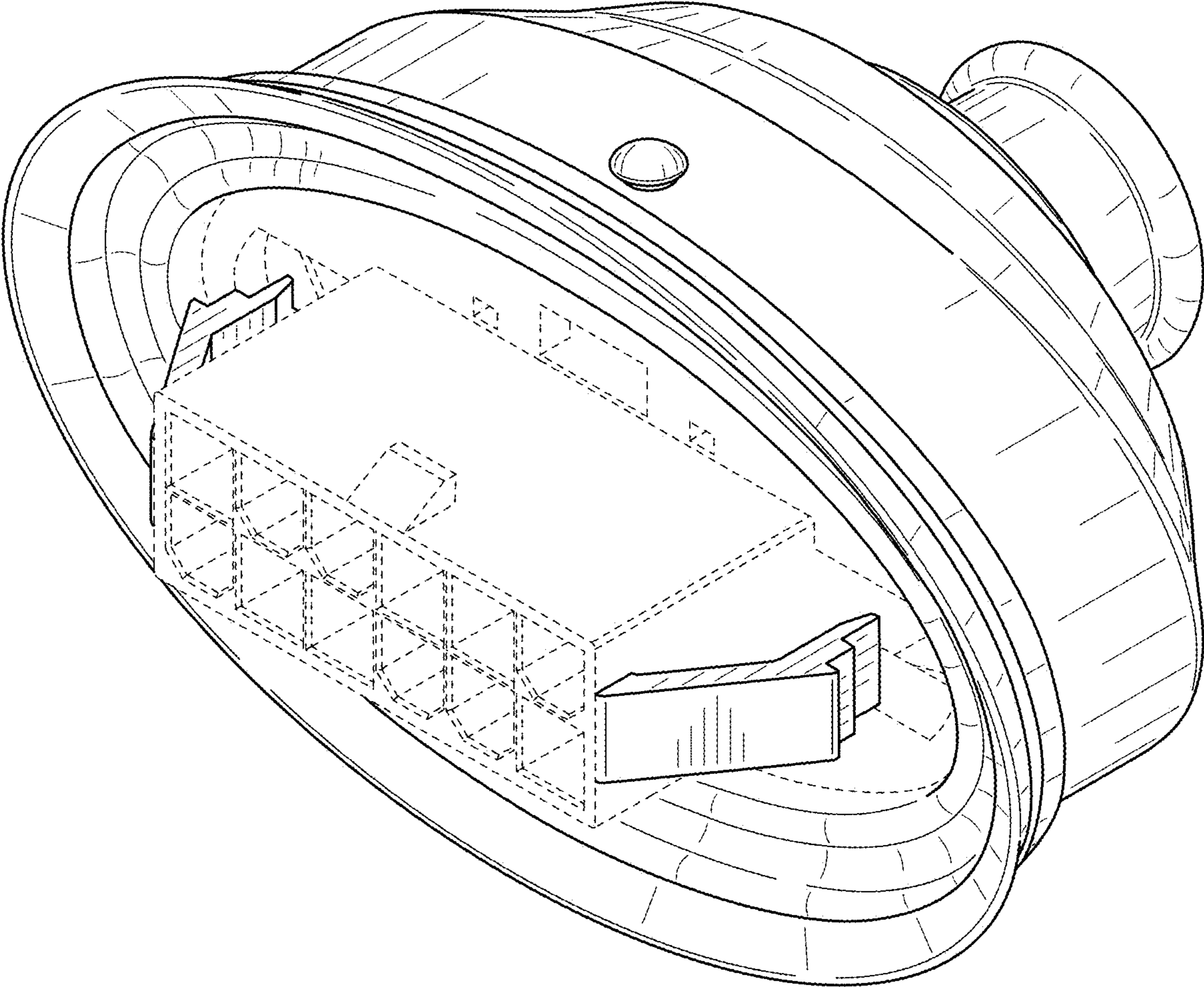


FIG. 9

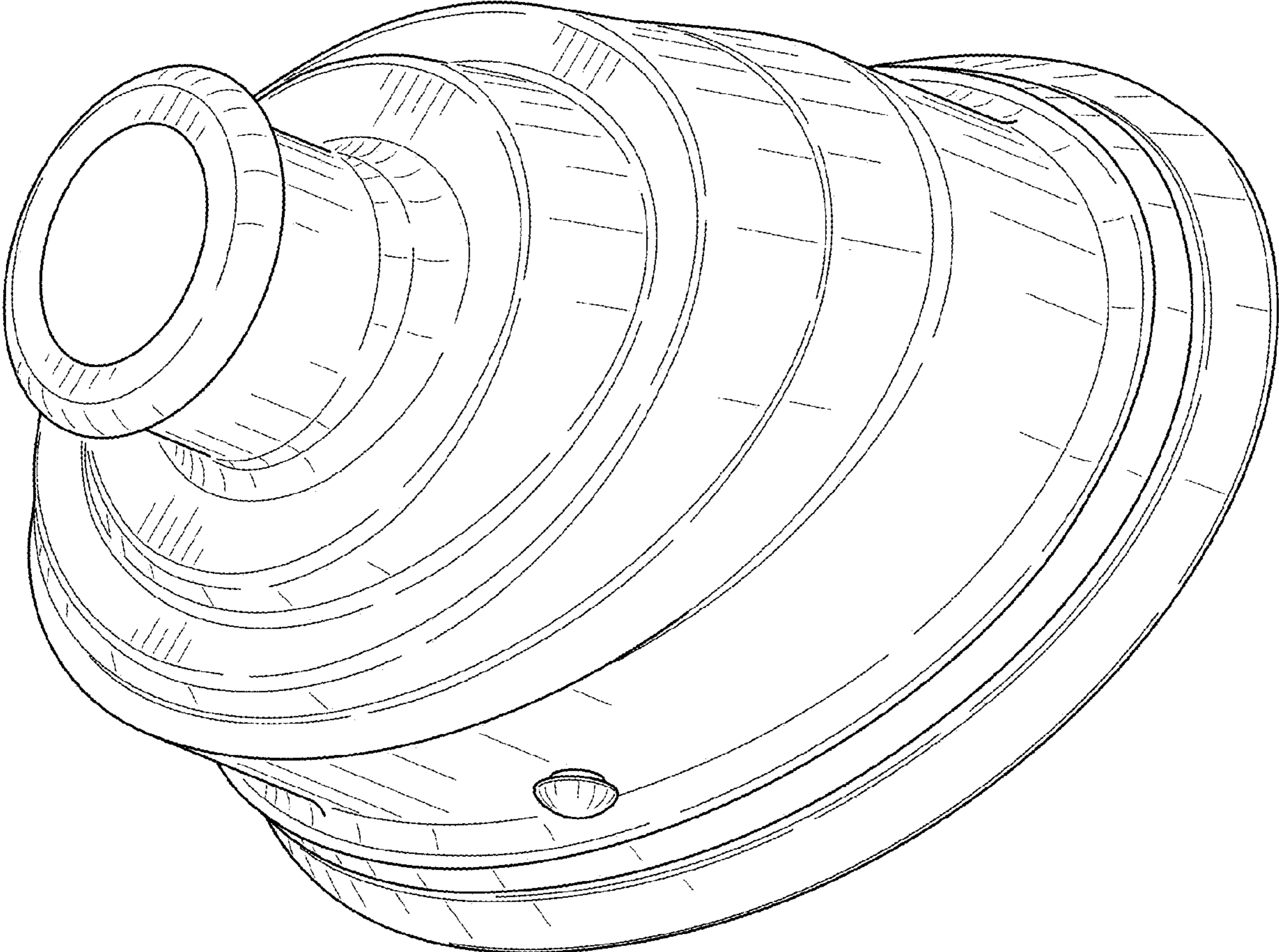


FIG. 10

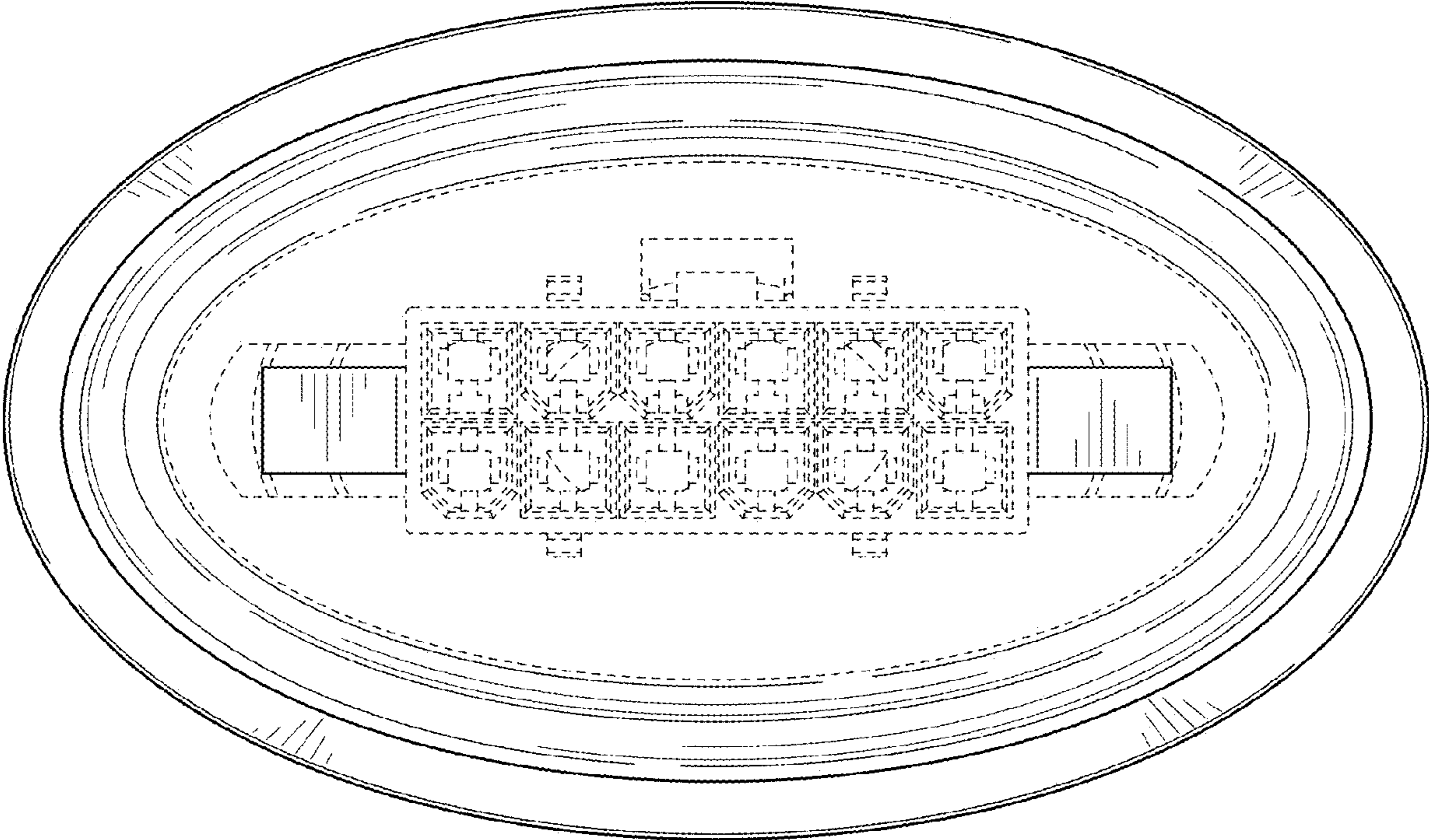


FIG. 11

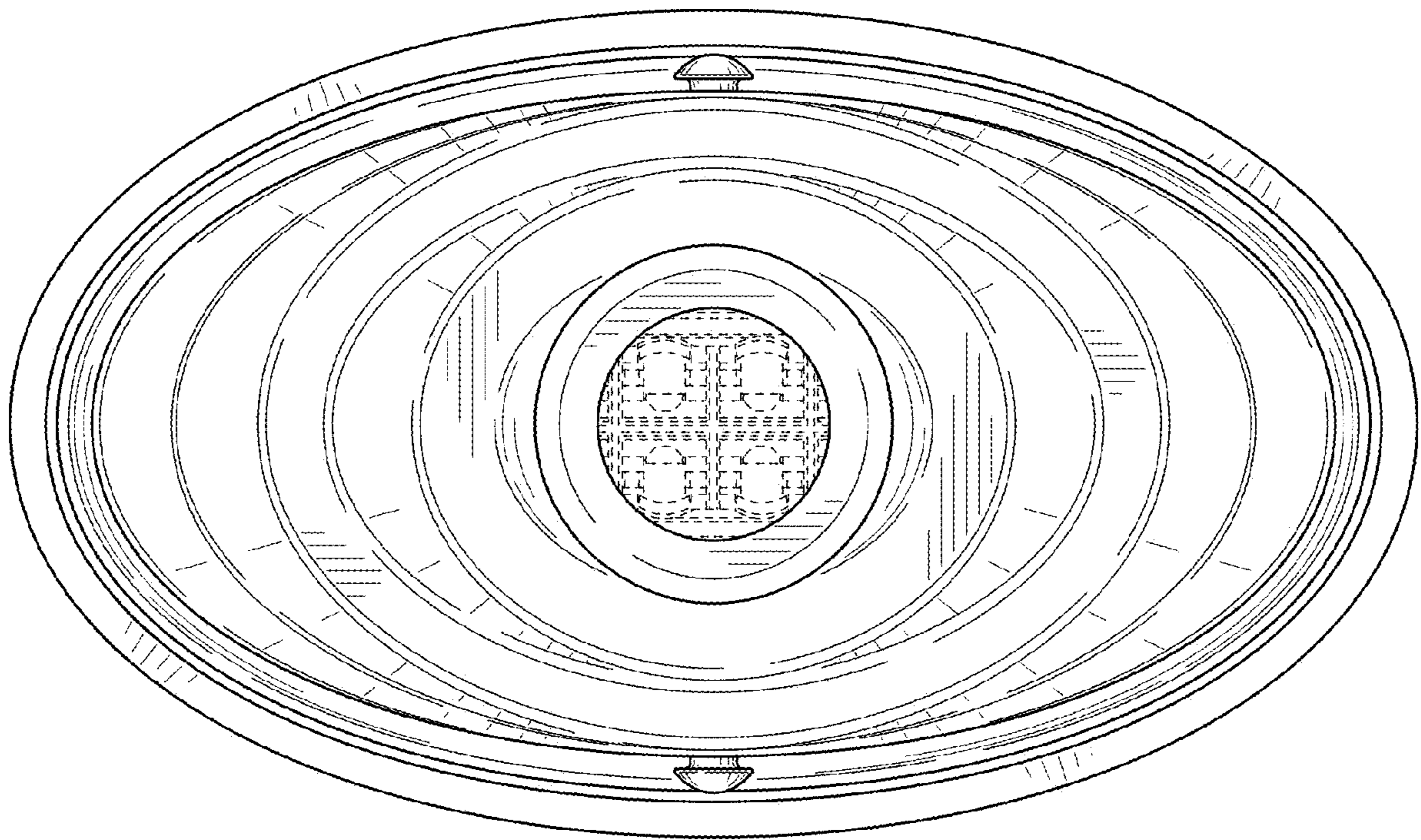


FIG. 12

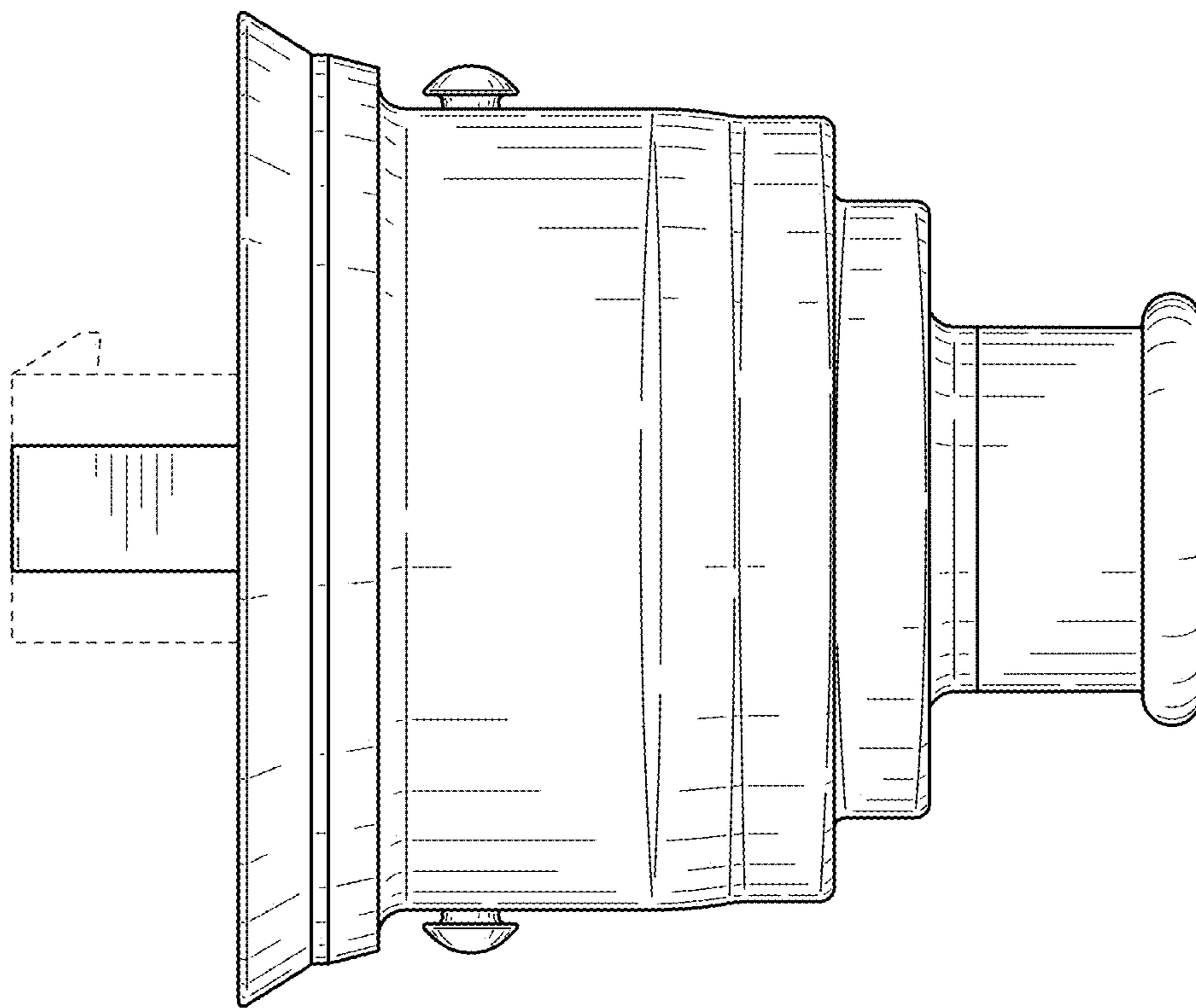


FIG. 13

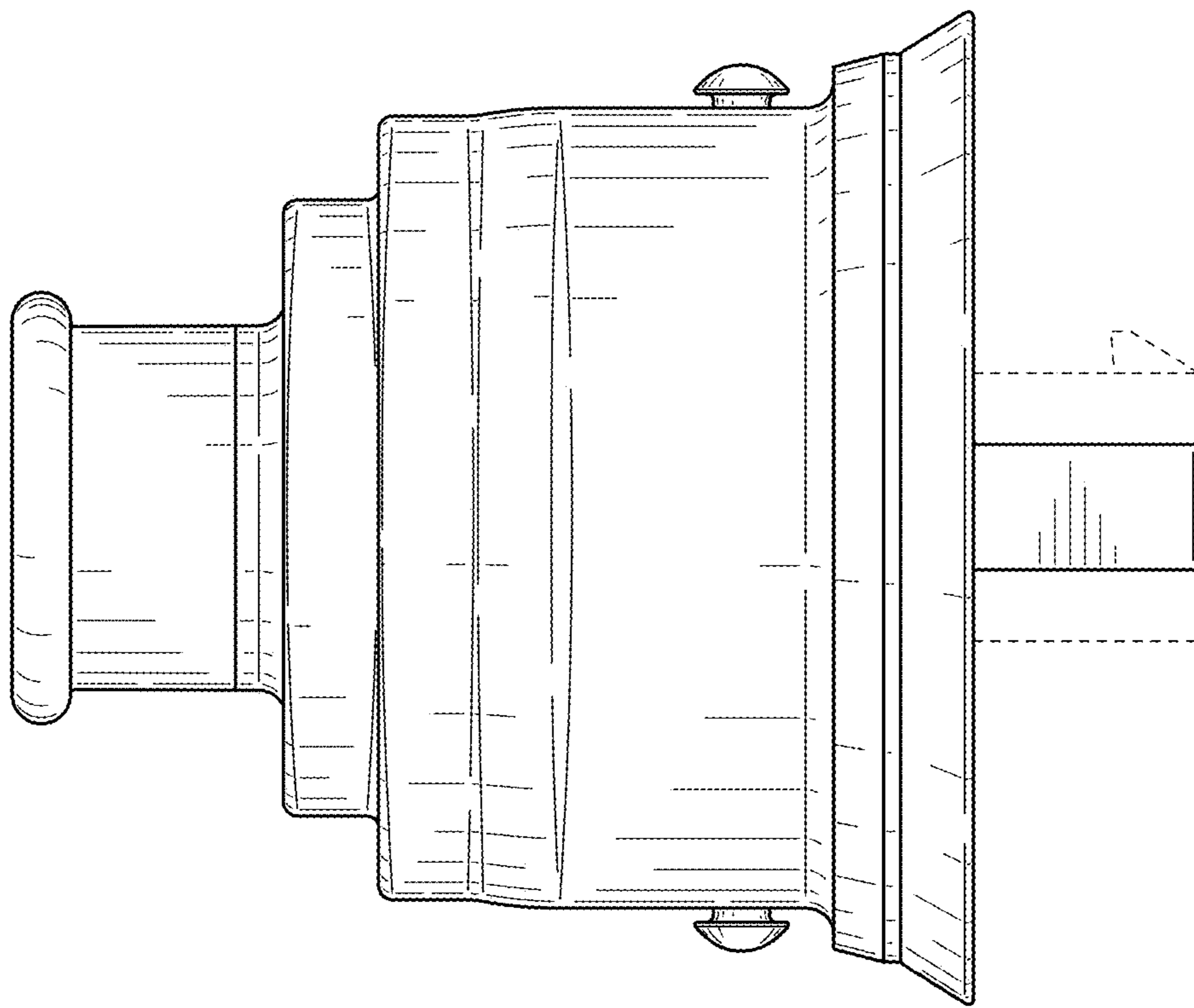


FIG. 14

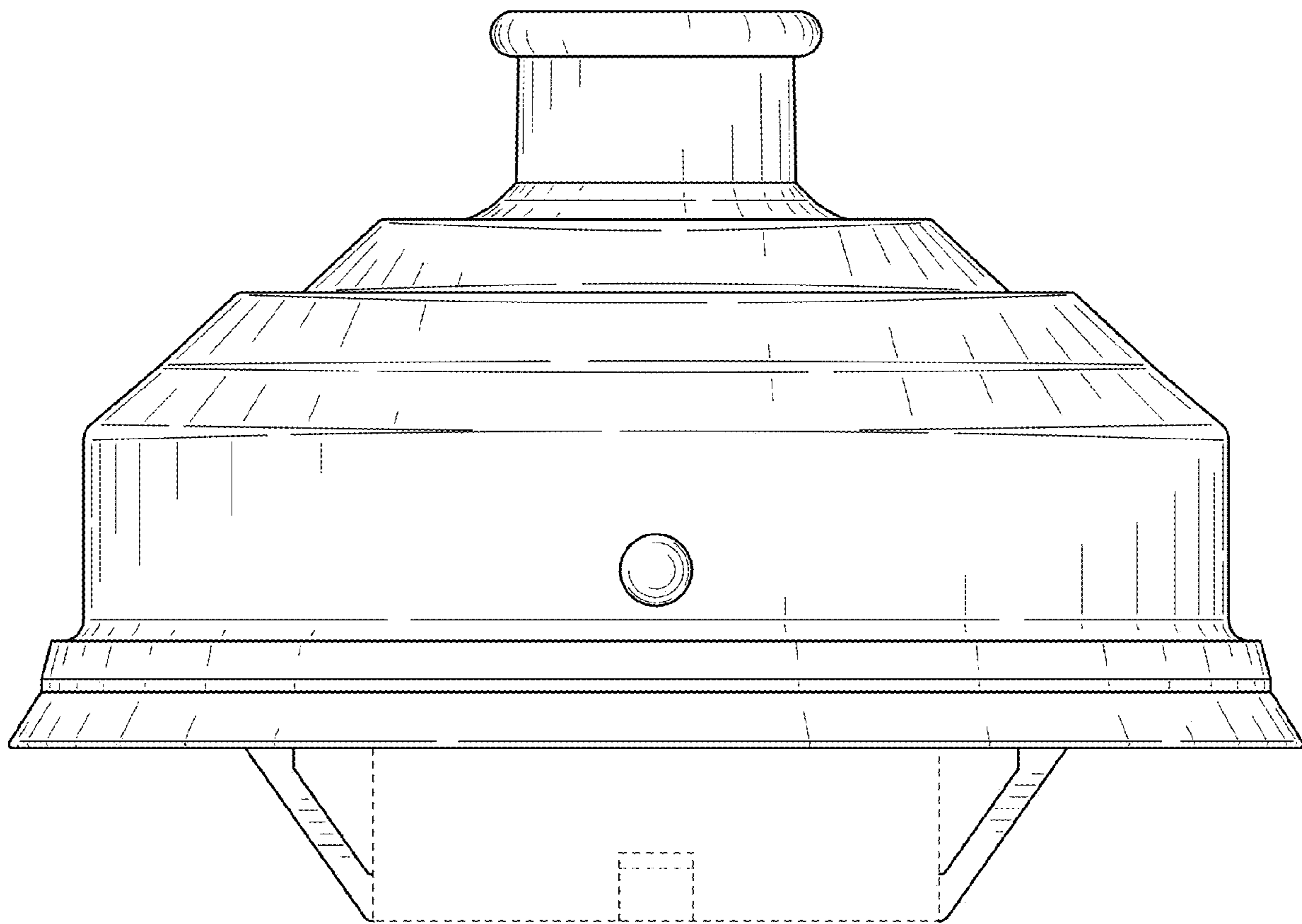


FIG. 15

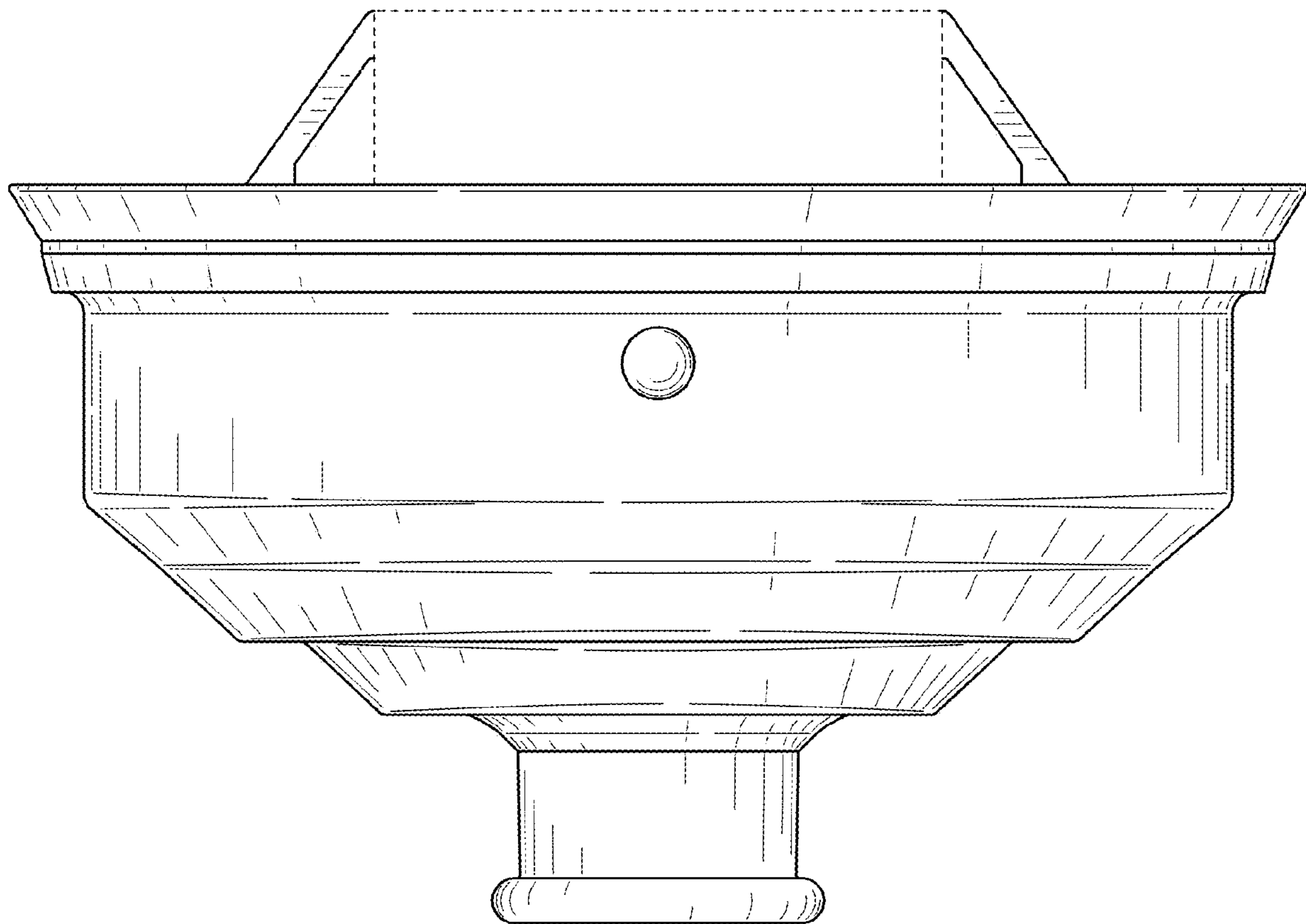


FIG. 16

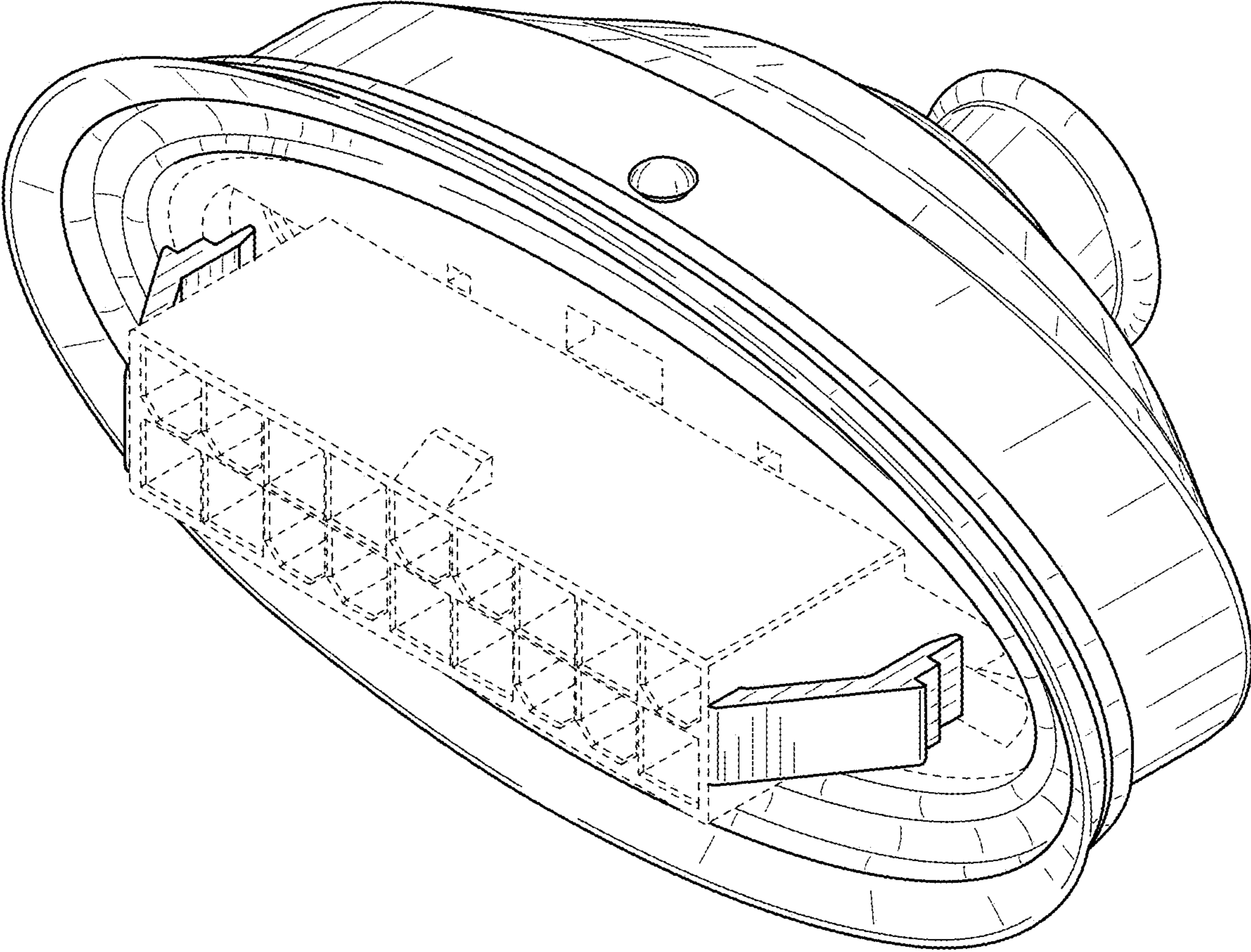


FIG. 17

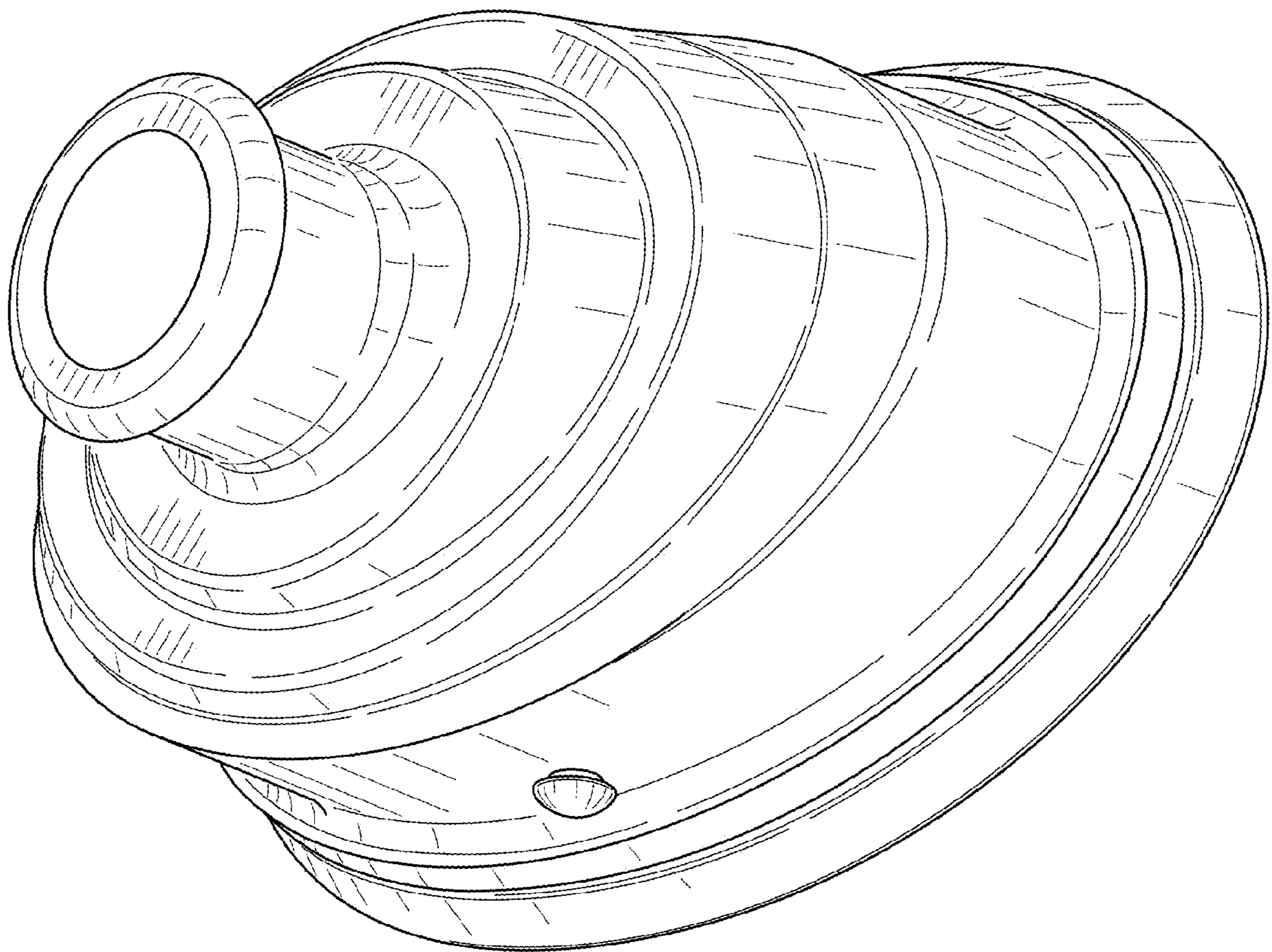


FIG. 18

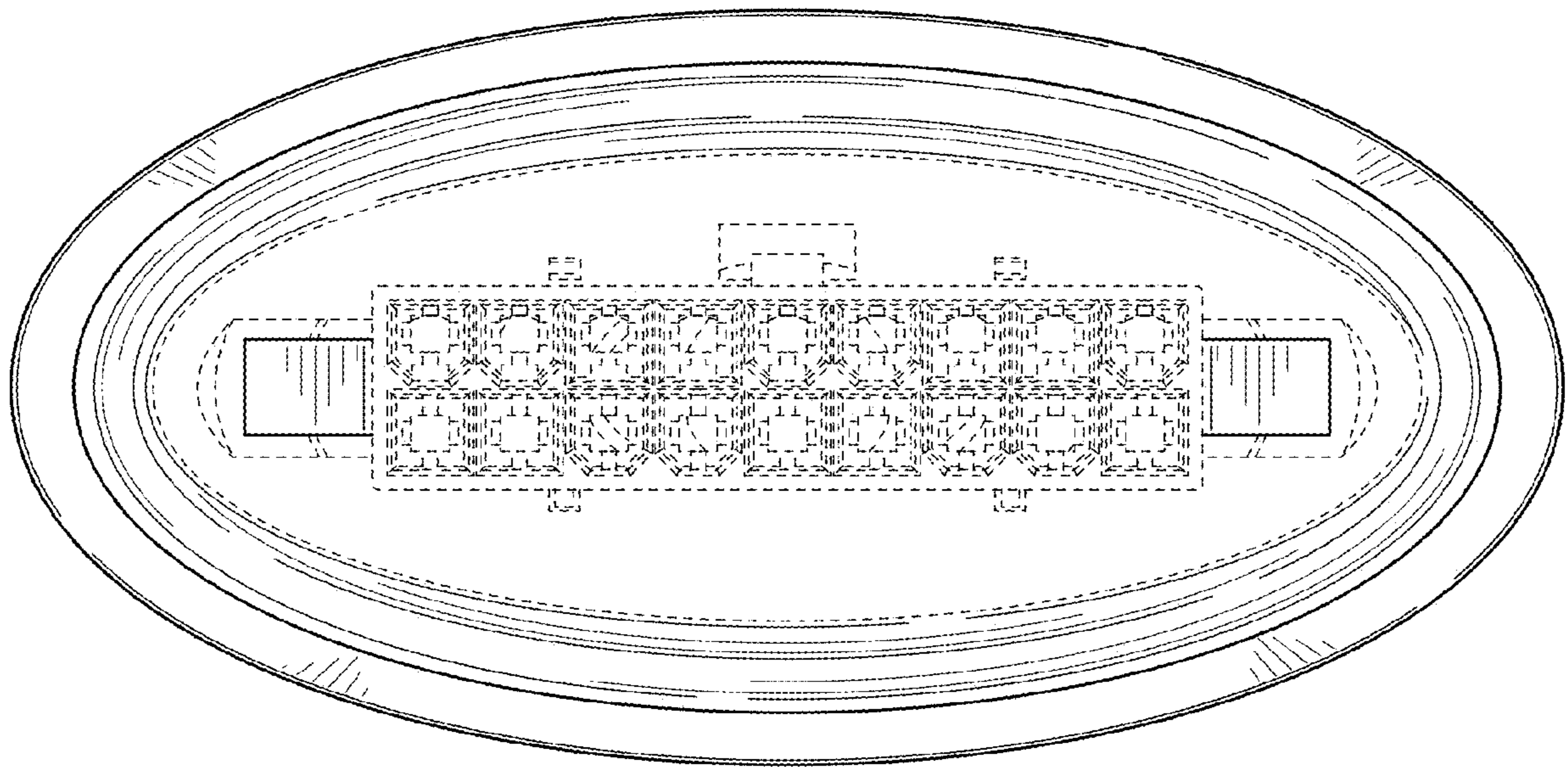


FIG. 19

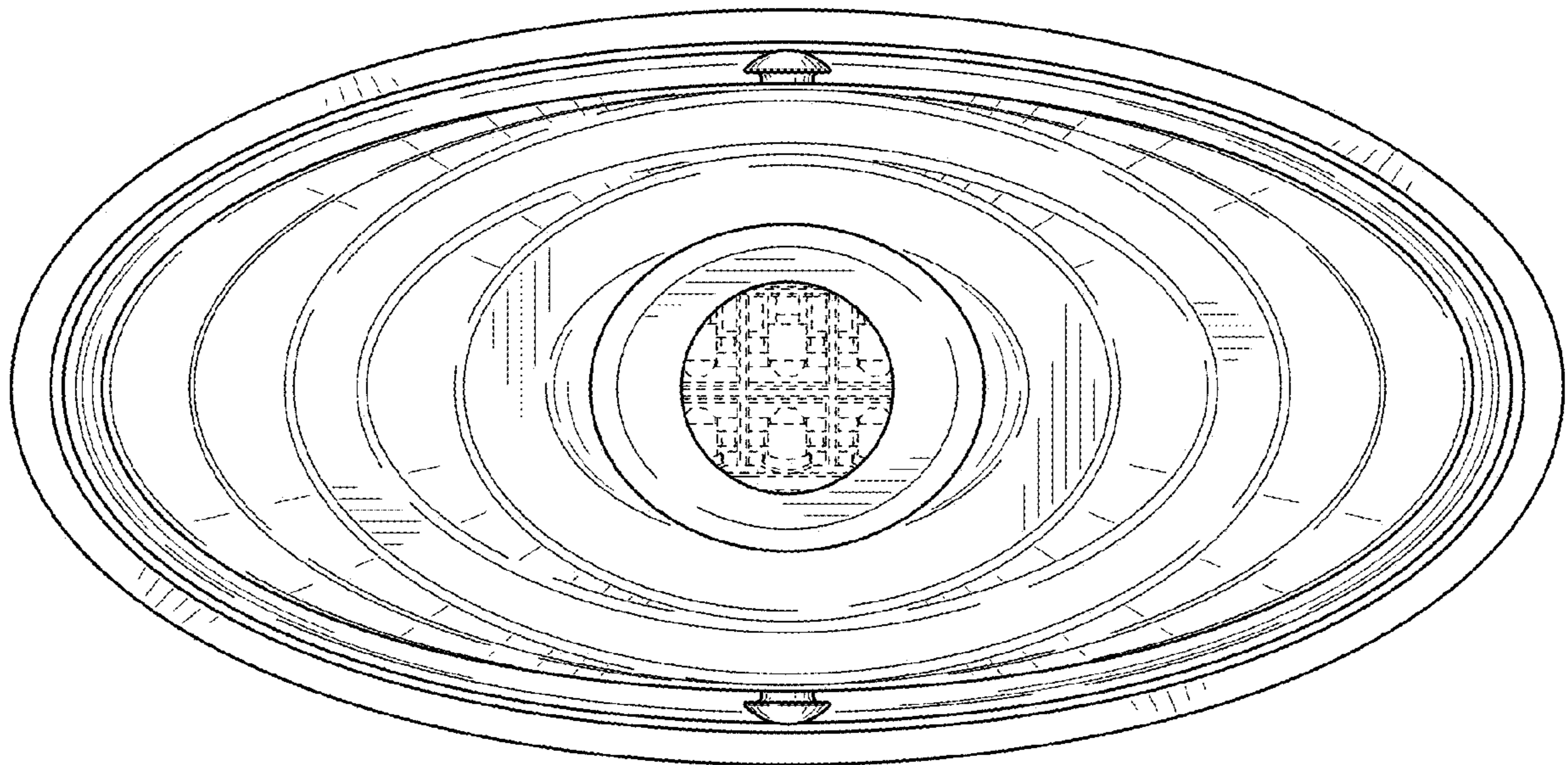


FIG. 20

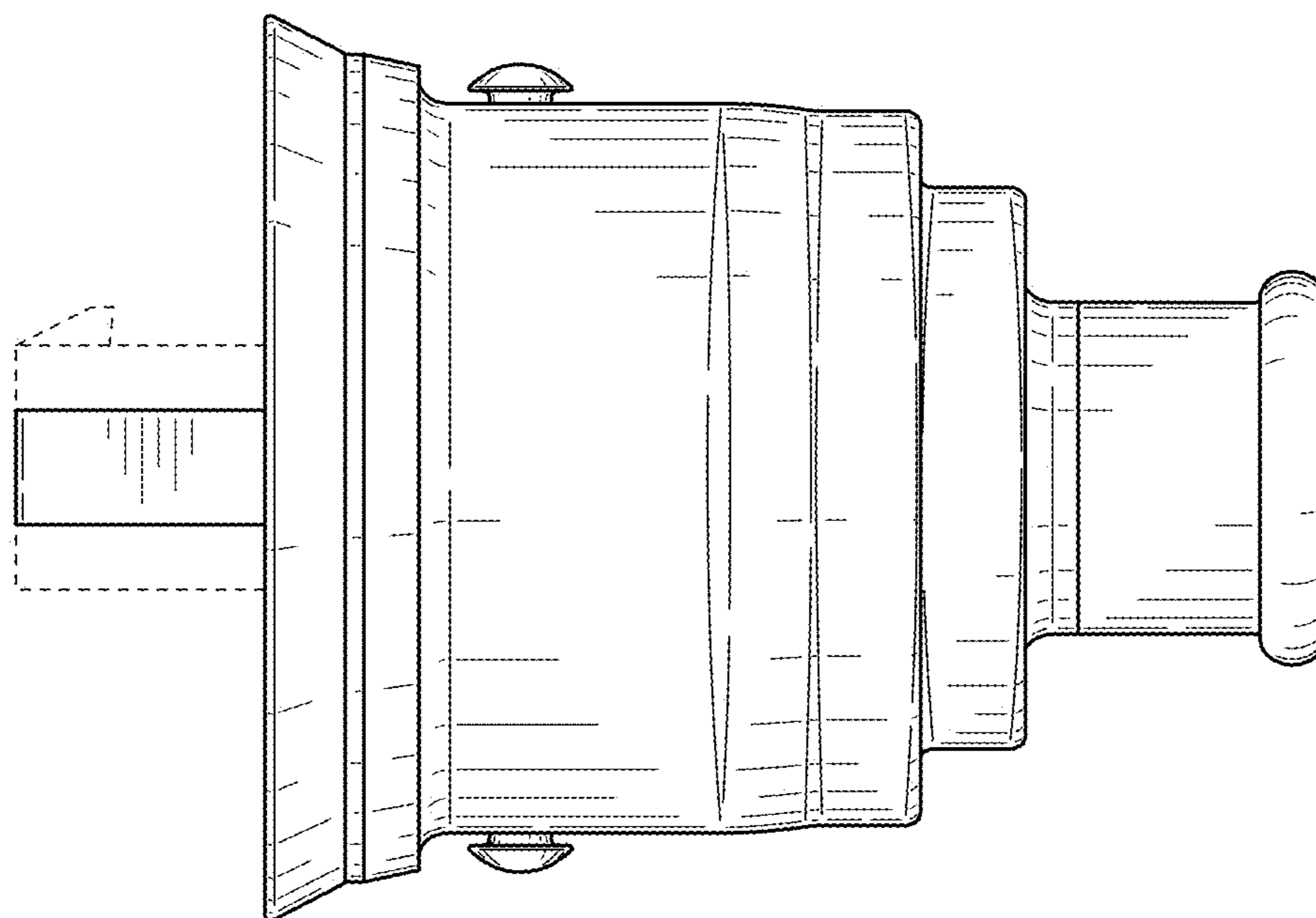


FIG. 21

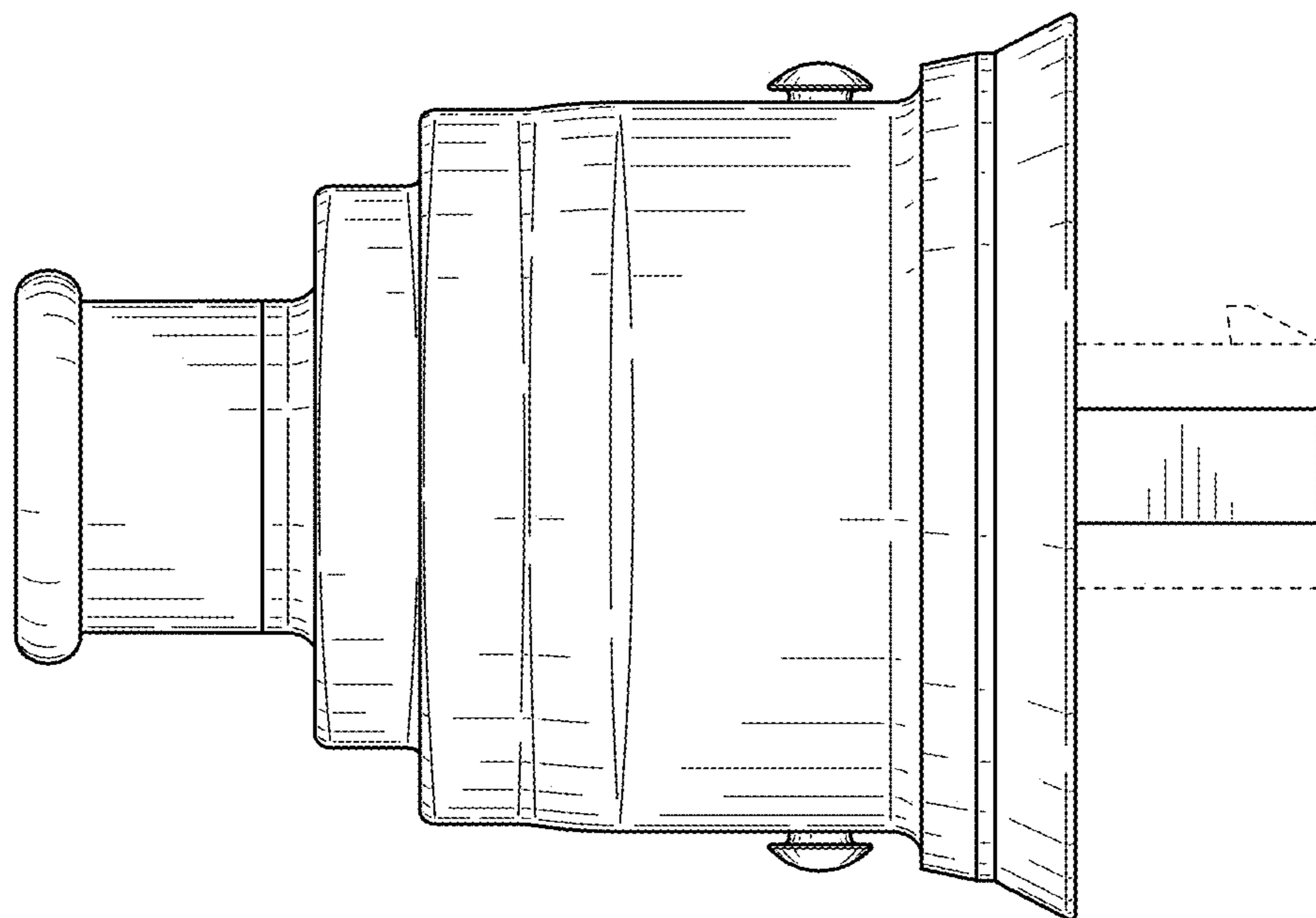


FIG. 22

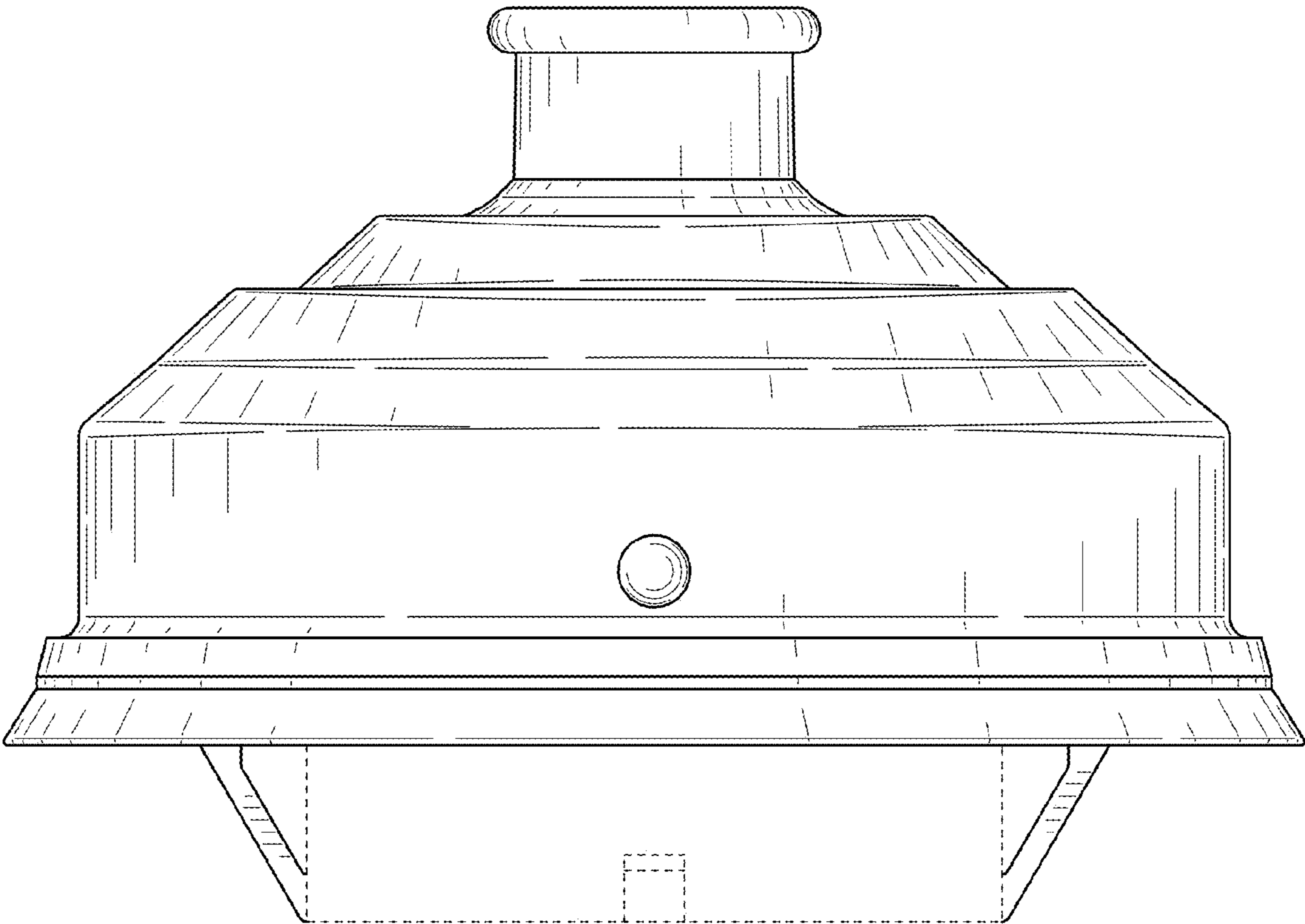


FIG. 23

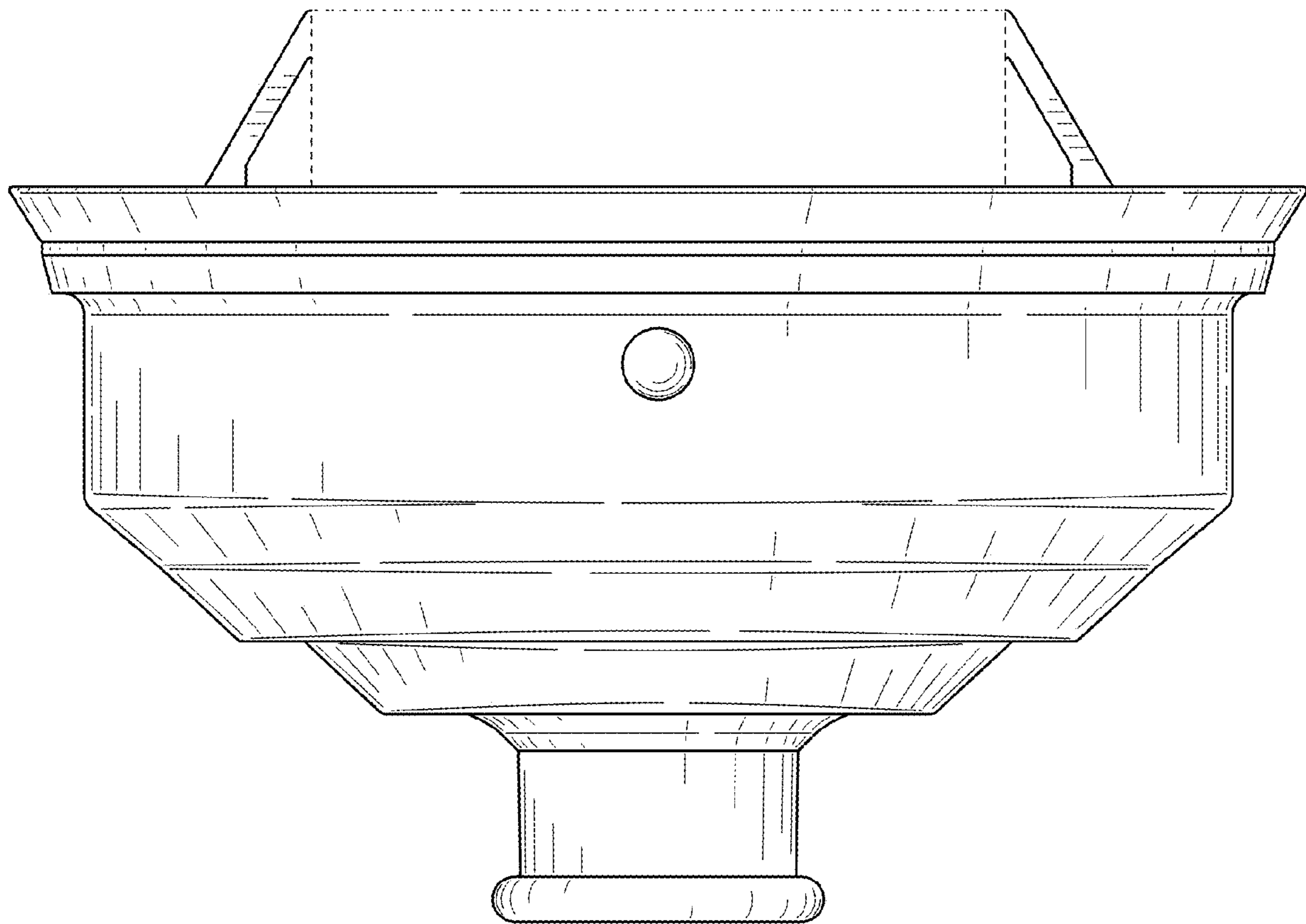


FIG. 24