



US00D936585S

(12) **United States Design Patent** (10) **Patent No.:** **US D936,585 S**
Fredenburg et al. (45) **Date of Patent:** **** Nov. 23, 2021**

(54) **BATTERY HOUSING**

D821,449 S * 6/2018 Atterbury D15/17
D878,294 S * 3/2020 Christensen D13/119

(71) Applicant: **EXMARK MANUFACTURING COMPANY, INCORPORATED**,
Beatrice, NE (US)

* cited by examiner

Primary Examiner — Jennifer O King

(74) *Attorney, Agent, or Firm* — Muetting Raasch Group

(72) Inventors: **Michael Shane Fredenburg**, Hickman, NE (US); **Derek L. Dragoo**, Clatonia, NE (US); **Patrick D. Sands**, Firth, NE (US)

(57) **CLAIM**

The ornamental design for a battery housing, as shown and described.

DESCRIPTION

(73) Assignee: **EXMARK MANUFACTURING COMPANY INCORPORATED**,
Beatrice, NE (US)

FIG. 1 is a right front perspective view of a battery housing in accordance with an embodiment of the claimed design and shown attached to a grounds maintenance vehicle; FIG. 2 is a right rear perspective view of the design of FIG. 1 and shown attached to the grounds maintenance vehicle; FIG. 3 is a right front perspective view of the design of FIG. 1; FIG. 4 is a right rear perspective view of the design of FIG. 1; FIG. 5 is a front elevation view of the design of FIG. 1; FIG. 6 is a rear elevation view of the design of FIG. 1; FIG. 7 is a right side elevation view of the design of FIG. 1; FIG. 8 is a top plan view of the design of FIG. 1; and, FIG. 9 is a bottom plan view of the design of FIG. 1.

(**) Term: **15 Years**

The left side elevation of the claimed design is not shown and forms no part of the claimed design.

(21) Appl. No.: **29/763,704**

The ornamental design also includes the mirror images of each of the views of the claimed design.

(22) Filed: **Dec. 23, 2020**

The dash-dash broken lines in the figures represent unclaimed subject matter and form no part of the claimed design.

(51) **LOC (13) Cl.** **13-02**

(52) **U.S. Cl.**
USPC **D13/119**

(58) **Field of Classification Search**
USPC D13/103, 104, 107, 108, 110, 119, 120,
D13/149, 184, 199; D10/77
CPC H01M 220/20; H01M 50/20; H01M 10/48;
B60R 16/04

See application file for complete search history.

The dot-dash broken lines in the figures immediately adjacent solid lines represent a boundary between claimed and unclaimed subject matter and form no part of the claimed design.

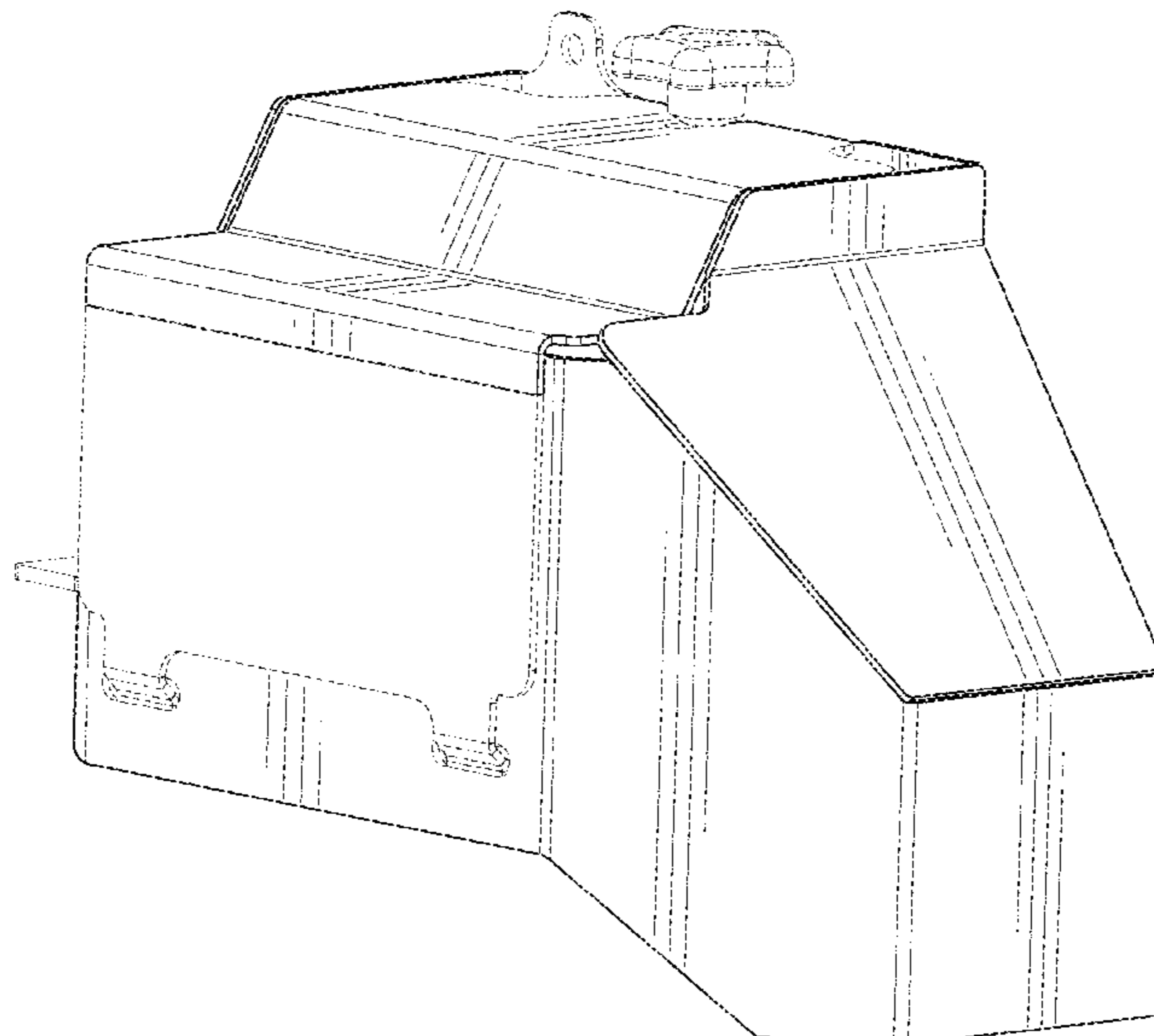
The labels used herein to describe orientation (e.g., top, bottom, left, right) are merely for reference and are not intended to limit the interpretation of the design.

(56) **References Cited**

U.S. PATENT DOCUMENTS

- 5,547,036 A * 8/1996 Gawaskar B60R 16/04
180/68.5
- 5,725,065 A * 3/1998 Knurr B60K 11/08
180/69.2
- D602,862 S * 10/2009 Reed D13/119
- D720,780 S * 1/2015 Chlystek D15/28
- D777,216 S * 1/2017 Allemeier D15/28

1 Claim, 9 Drawing Sheets



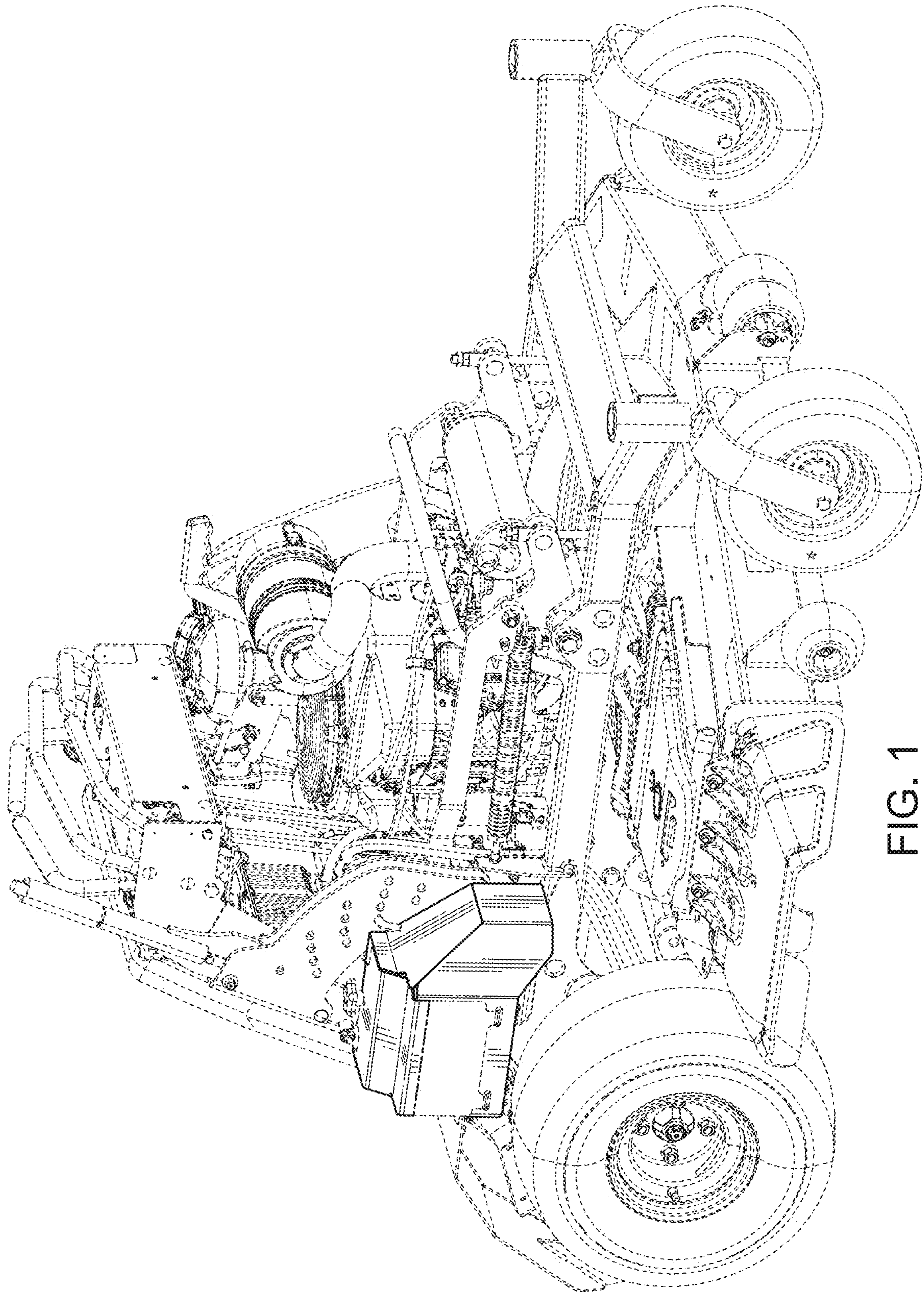


FIG. 1

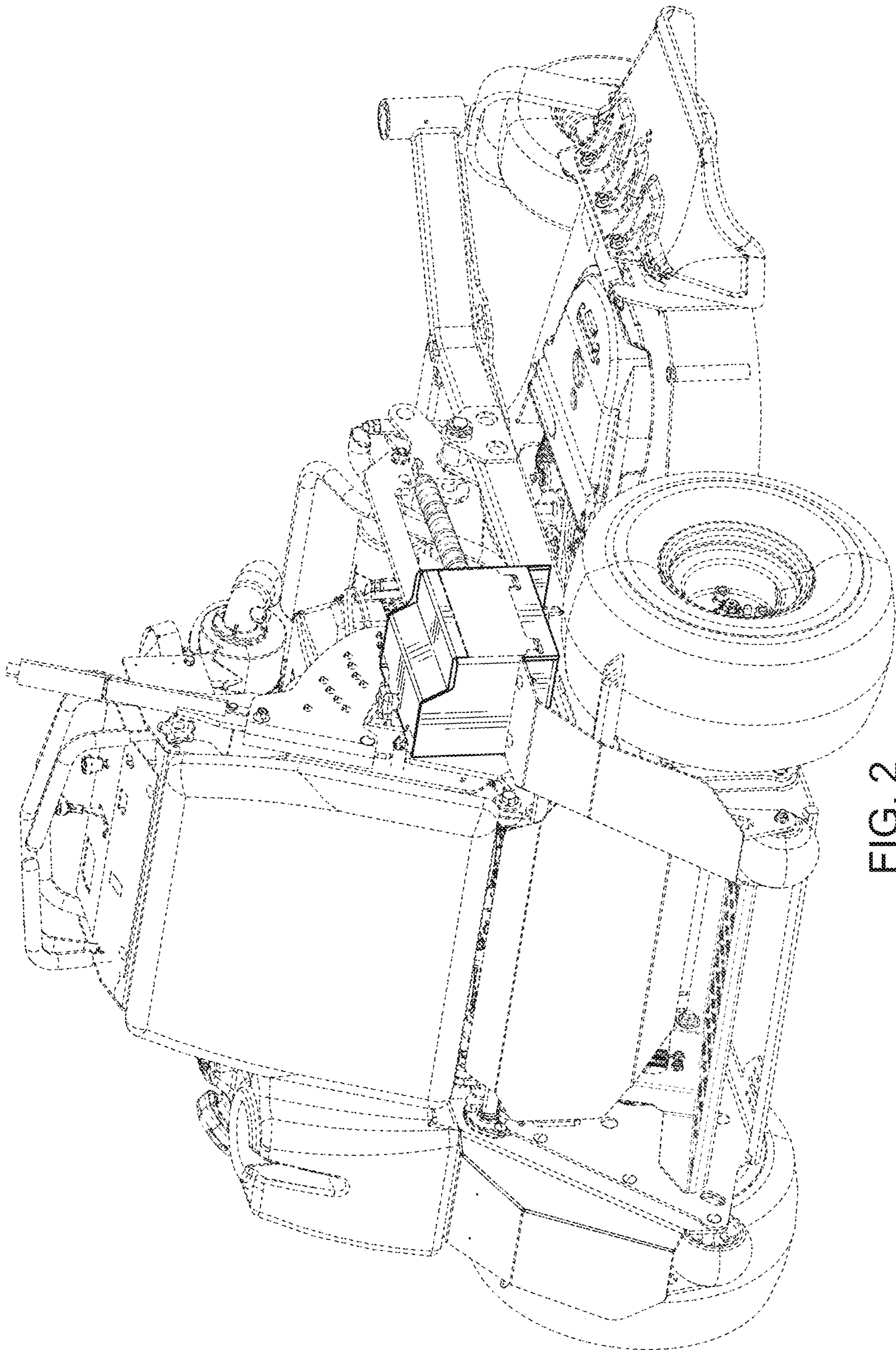


FIG. 2

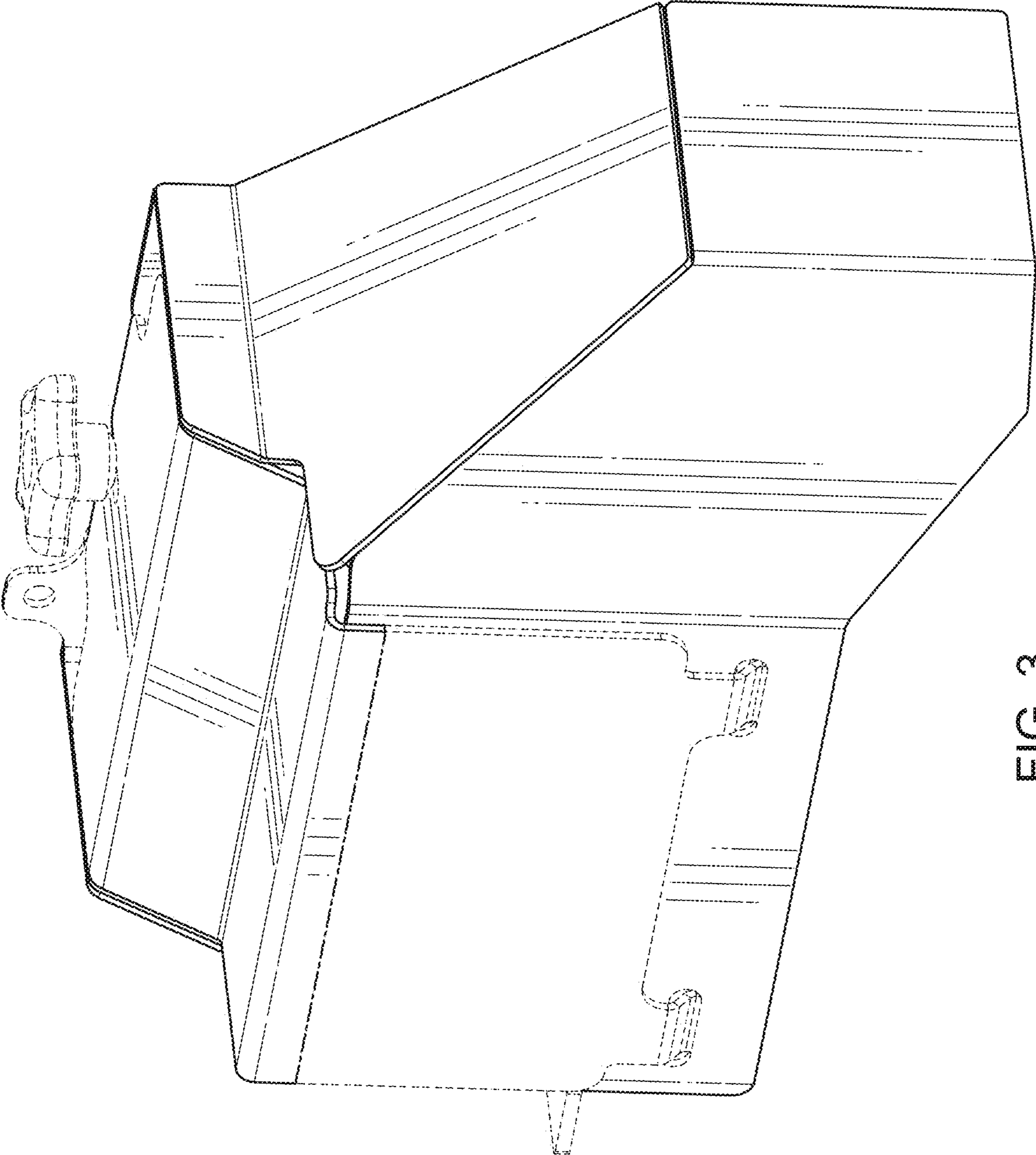


FIG. 3

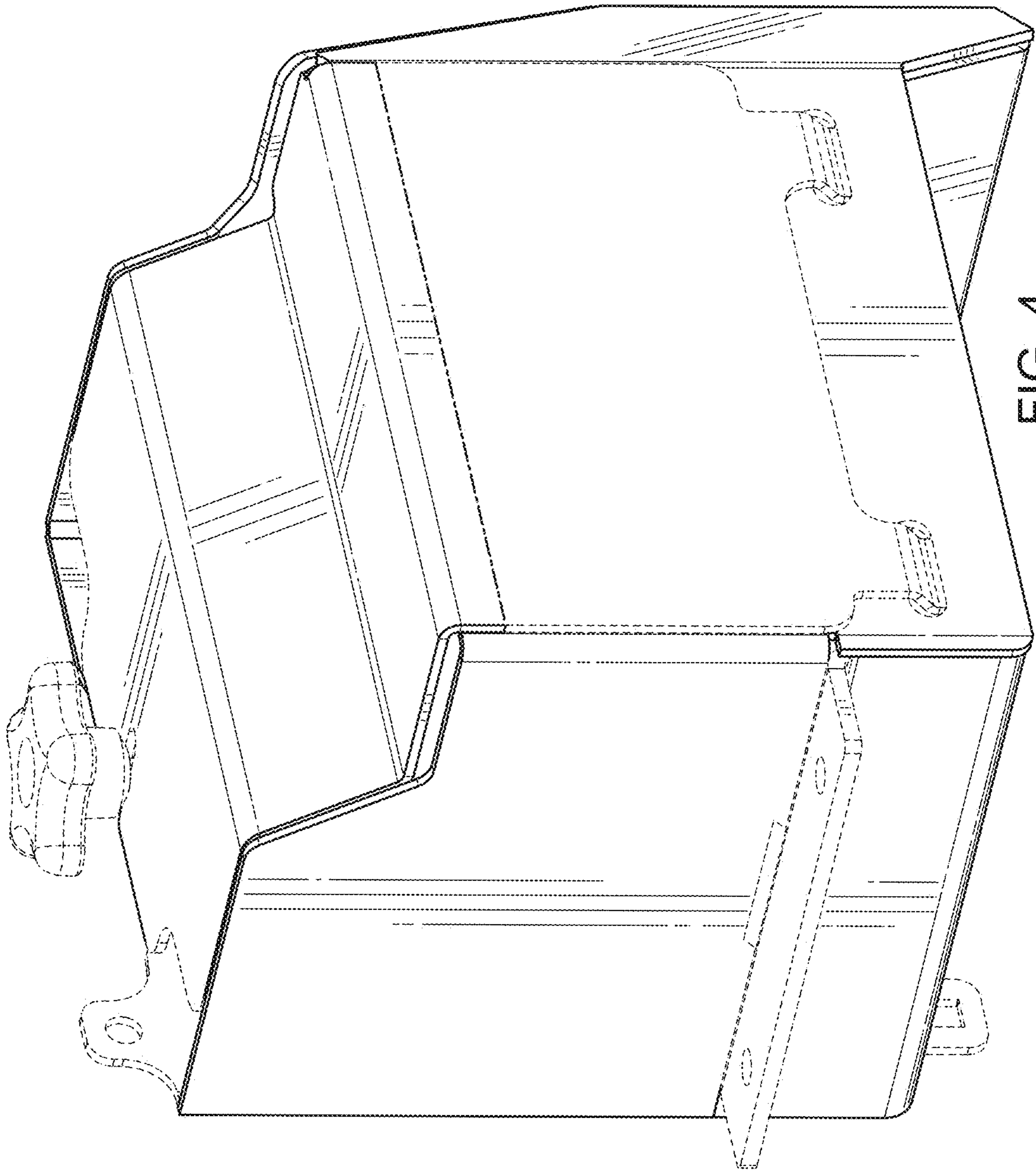


FIG. 4

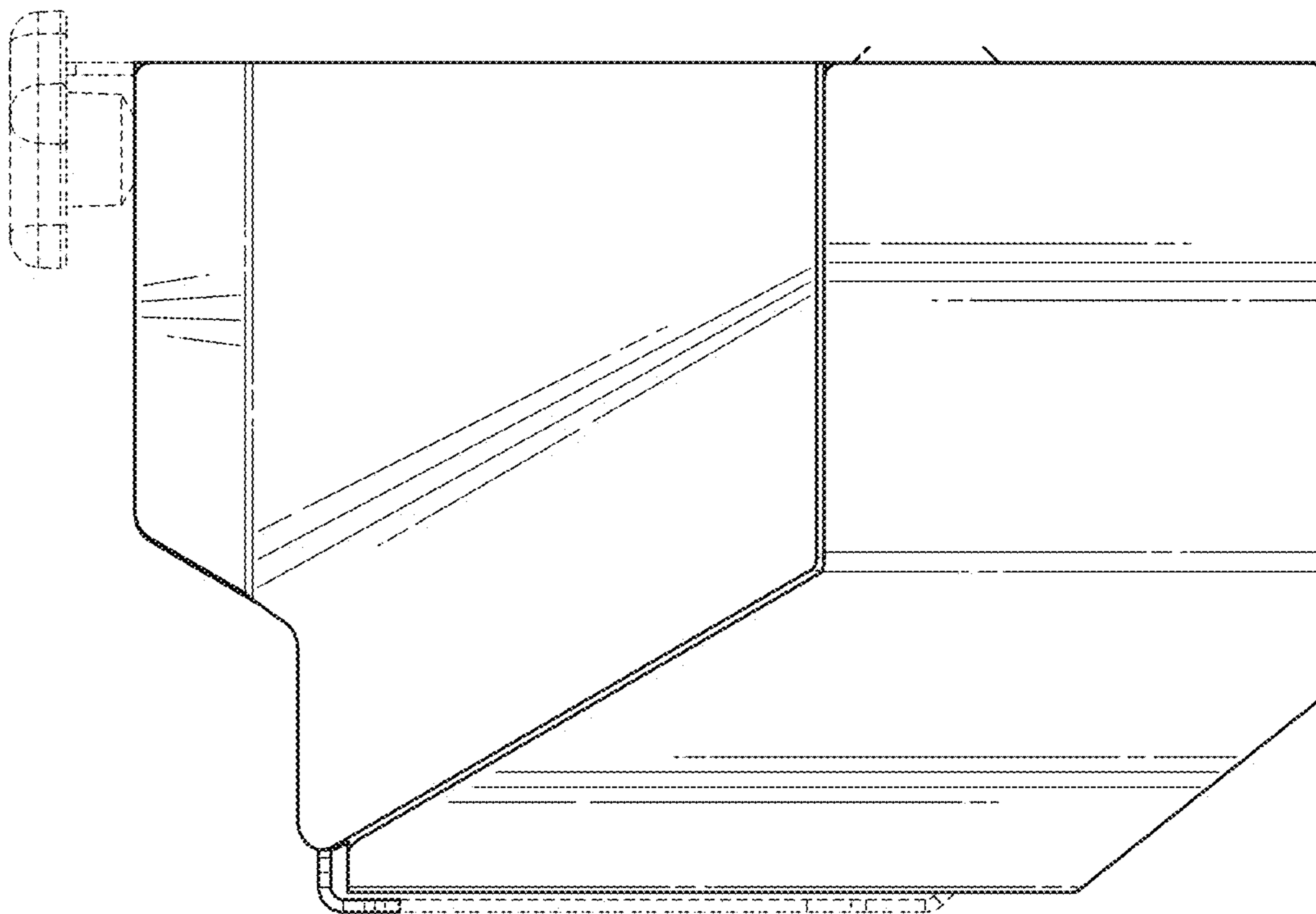


FIG. 5

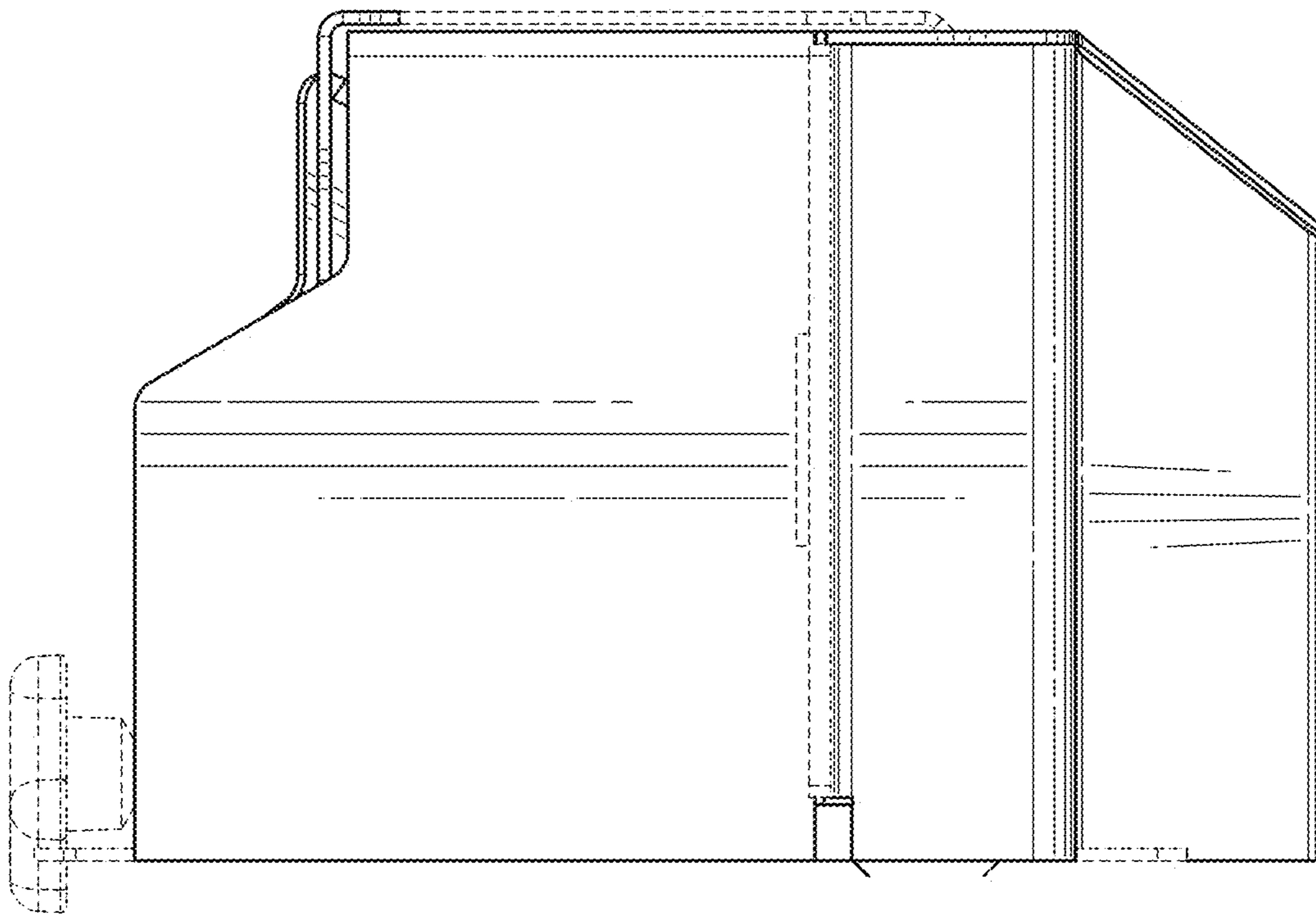


FIG. 6

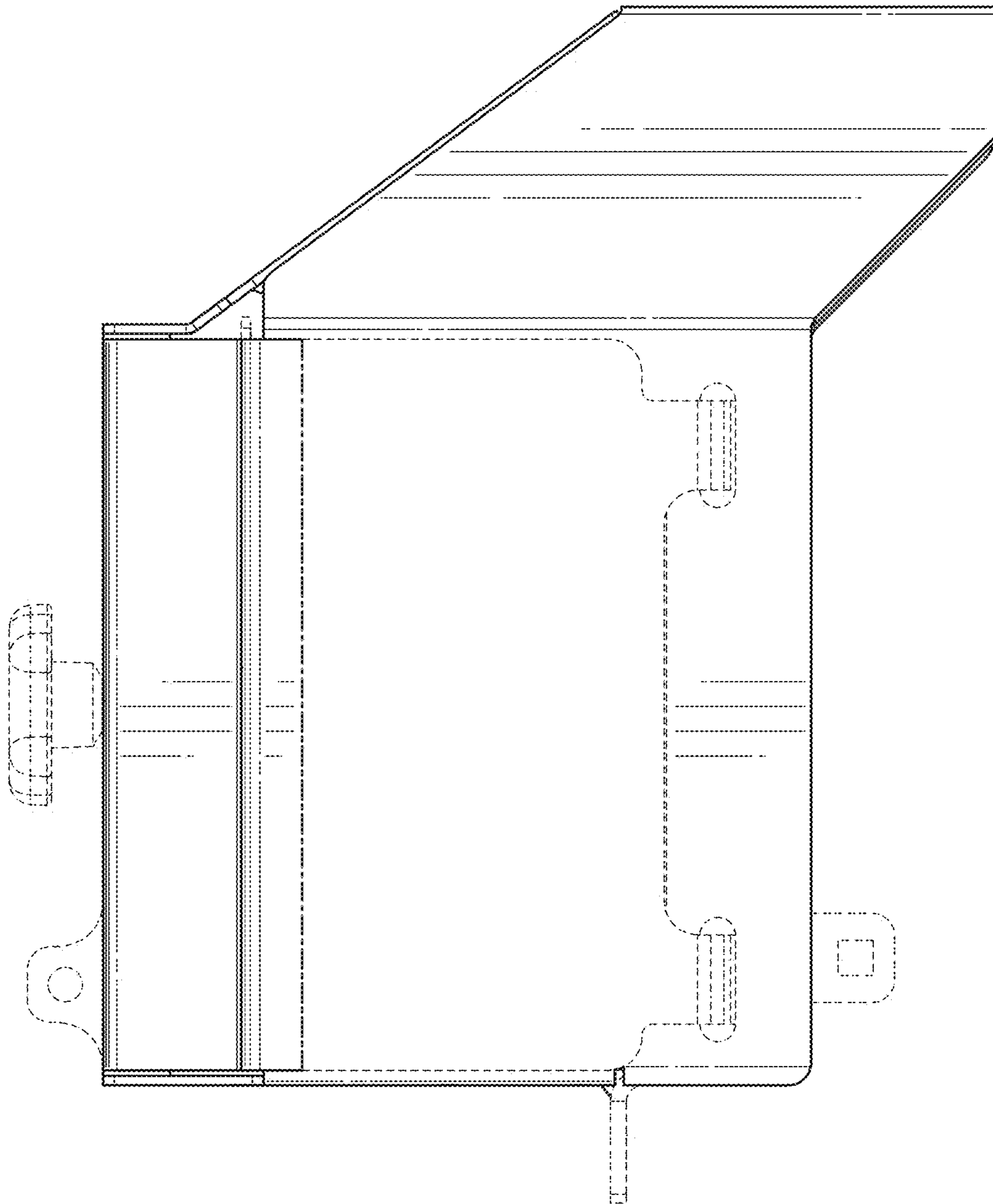


FIG. 7

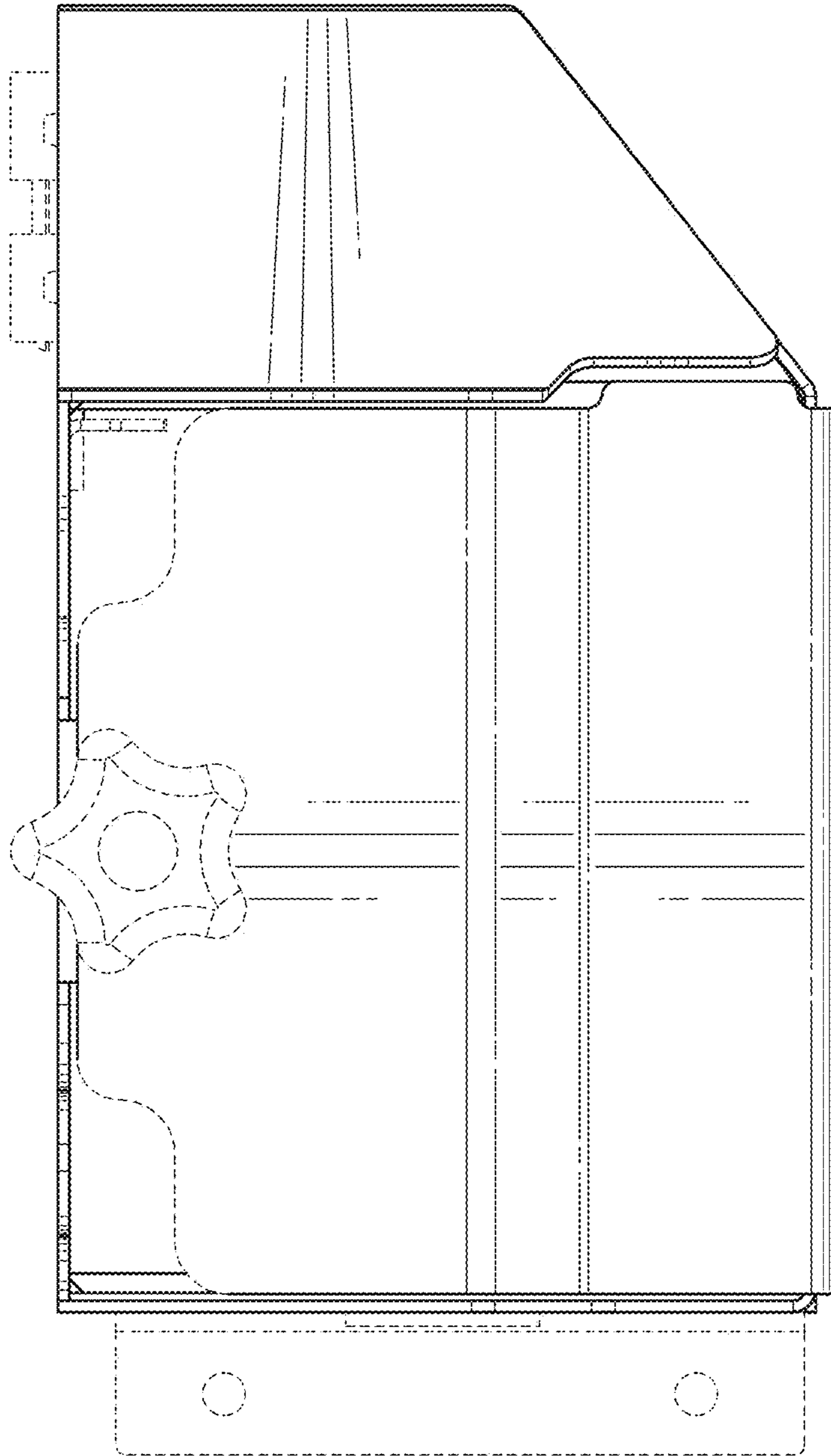


FIG. 8

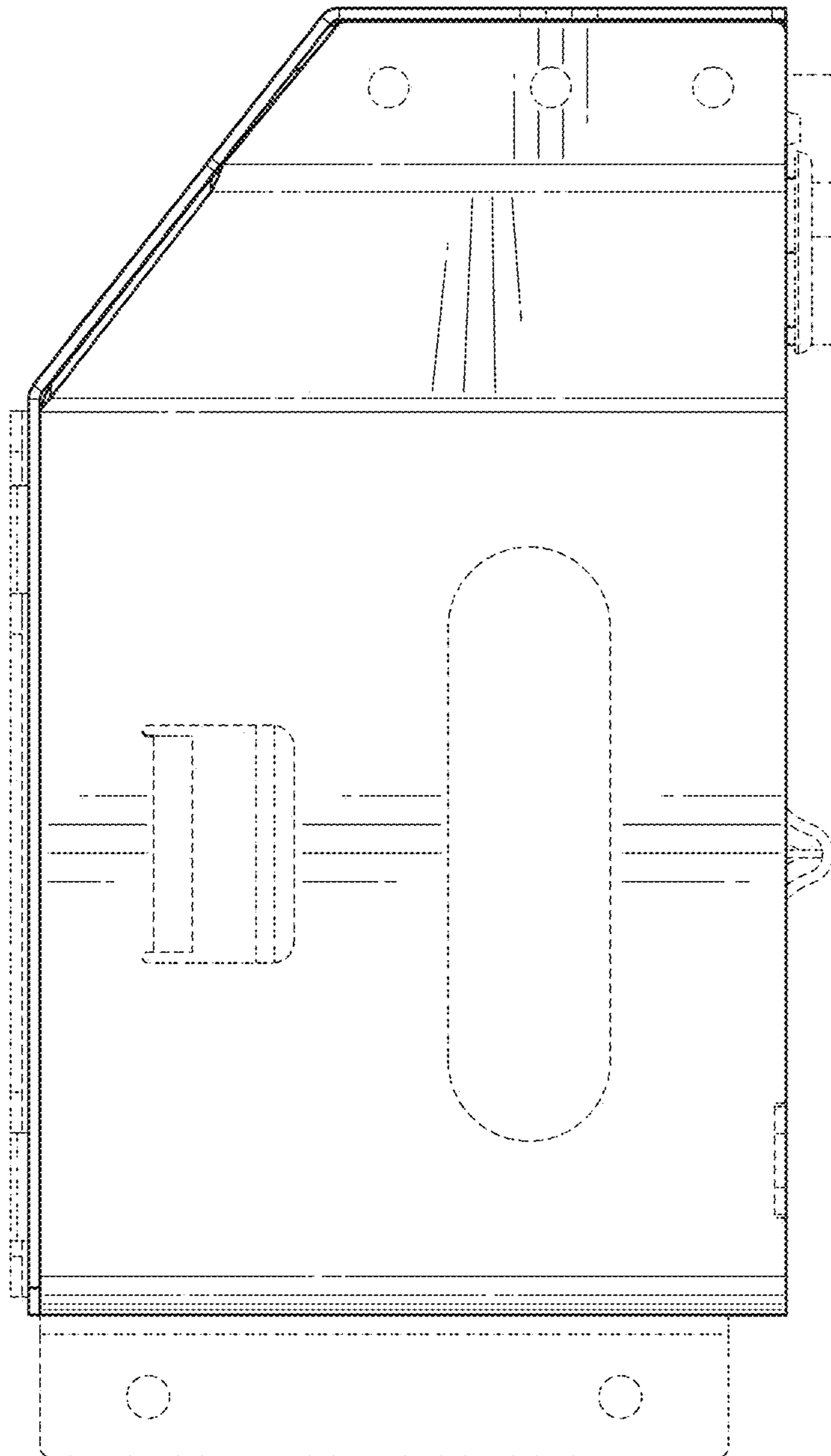


FIG. 9