

US00D936583S

(12) **United States Design Patent** (10) **Patent No.:** **US D936,583 S**
Liu (45) **Date of Patent:** **** Nov. 23, 2021**

(54) **PORTABLE POWER STATION**

(71) Applicant: **Shenzhen Gadgetwoo Tech. Co., Ltd.**,
Guangdong (CN)

(72) Inventor: **Ruifeng Liu**, Guangdong (CN)

(**) Term: **15 Years**

(21) Appl. No.: **29/737,120**

(22) Filed: **Jun. 5, 2020**

(30) **Foreign Application Priority Data**

Mar. 27, 2020 (CN) 202030111601.6

(51) **LOC (13) Cl.** **13-02**

(52) **U.S. Cl.**
USPC **D13/110**

(58) **Field of Classification Search**
USPC D13/101, 102, 103, 107, 108, 110, 118,
D13/119, 123, 184, 199; D14/251, 253,
D14/432, 434

CPC .. H02J 7/00; H02J 7/027; H02J 7/0042; H02J
7/0045; H02J 7/0047; H02J 7/0063; H02J
7/32; H02J 7/342; H02J 7/1423; H02M
7/00; H02M 7/003; H01M 2/202; H01M
2/204; H01M 2/1022; H01M 2/342;
H05K 5/0247; Y02T 10/7005; Y02T
10/705; Y02T 10/7088; F21L 4/00
See application file for complete search history.

(56) **References Cited**

U.S. PATENT DOCUMENTS

4,300,087 A * 11/1981 Meisner H02J 7/0042
320/112

D280,318 S * 8/1985 Barone D13/110
D316,397 S * 4/1991 Herbert D13/103
D386,148 S * 11/1997 Katooka D13/110
D710,301 S * 8/2014 Ferro D13/116
D712,823 S * 9/2014 Lin D13/102
D815,039 S * 4/2018 Wen D13/110
D821,313 S * 6/2018 Yang D13/110
10,342,154 B2 * 7/2019 Kai H02J 7/0042
2001/0043052 A1 * 11/2001 Griffey H02M 7/003
320/114

* cited by examiner

Primary Examiner — Derrick E Holland

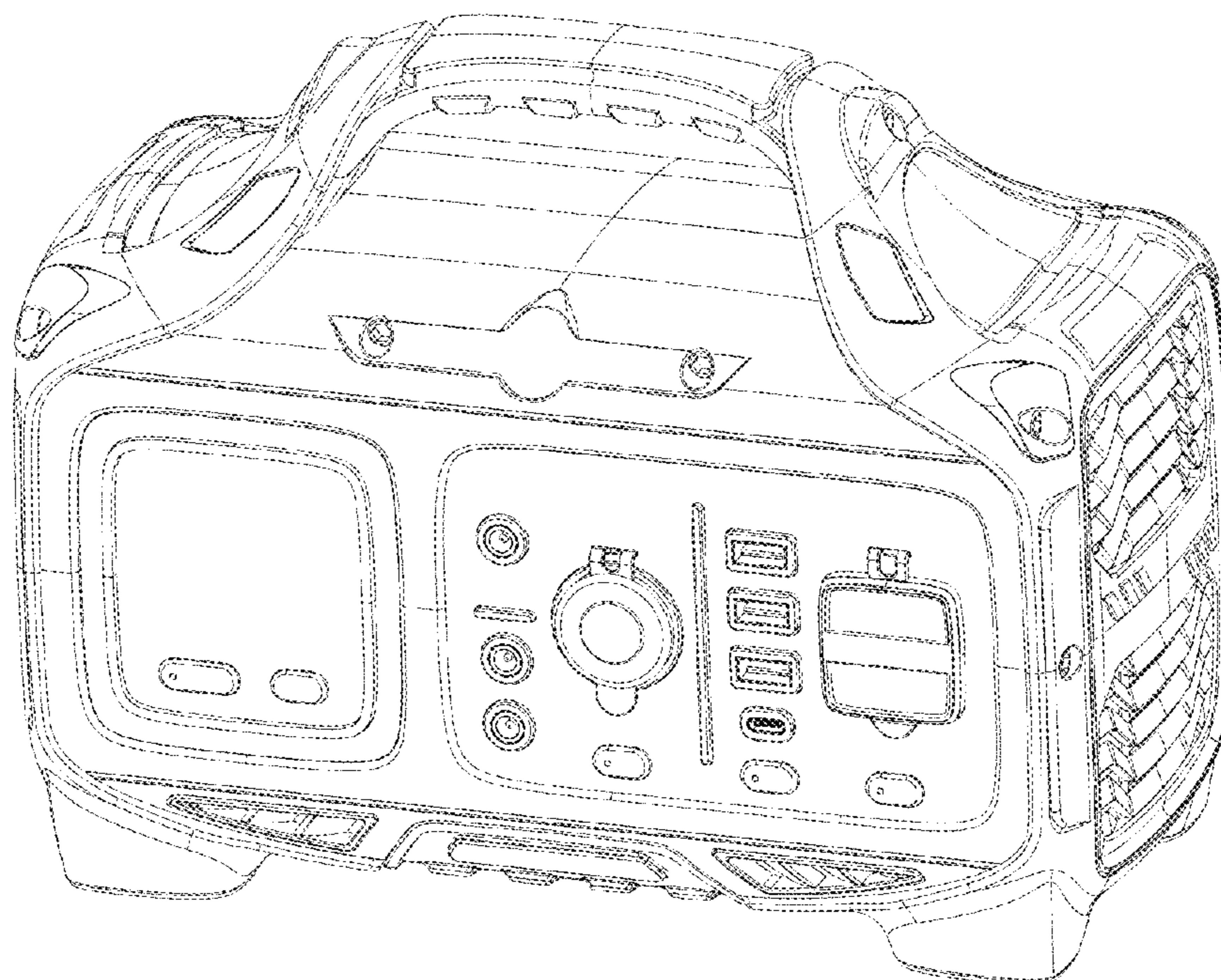
(57) **CLAIM**

The ornamental design for a portable power station, as shown and described.

DESCRIPTION

FIG. 1 is a front elevational view of a portable power station showing my new design;
FIG. 2 is a rear elevational view thereof;
FIG. 3 is a left side view thereof;
FIG. 4 is a right side view thereof;
FIG. 5 is a top plan view thereof;
FIG. 6 is a bottom plan view thereof;
FIG. 7 is a perspective view from front side thereof; and,
FIG. 8 is a perspective view from back side thereof.

1 Claim, 8 Drawing Sheets



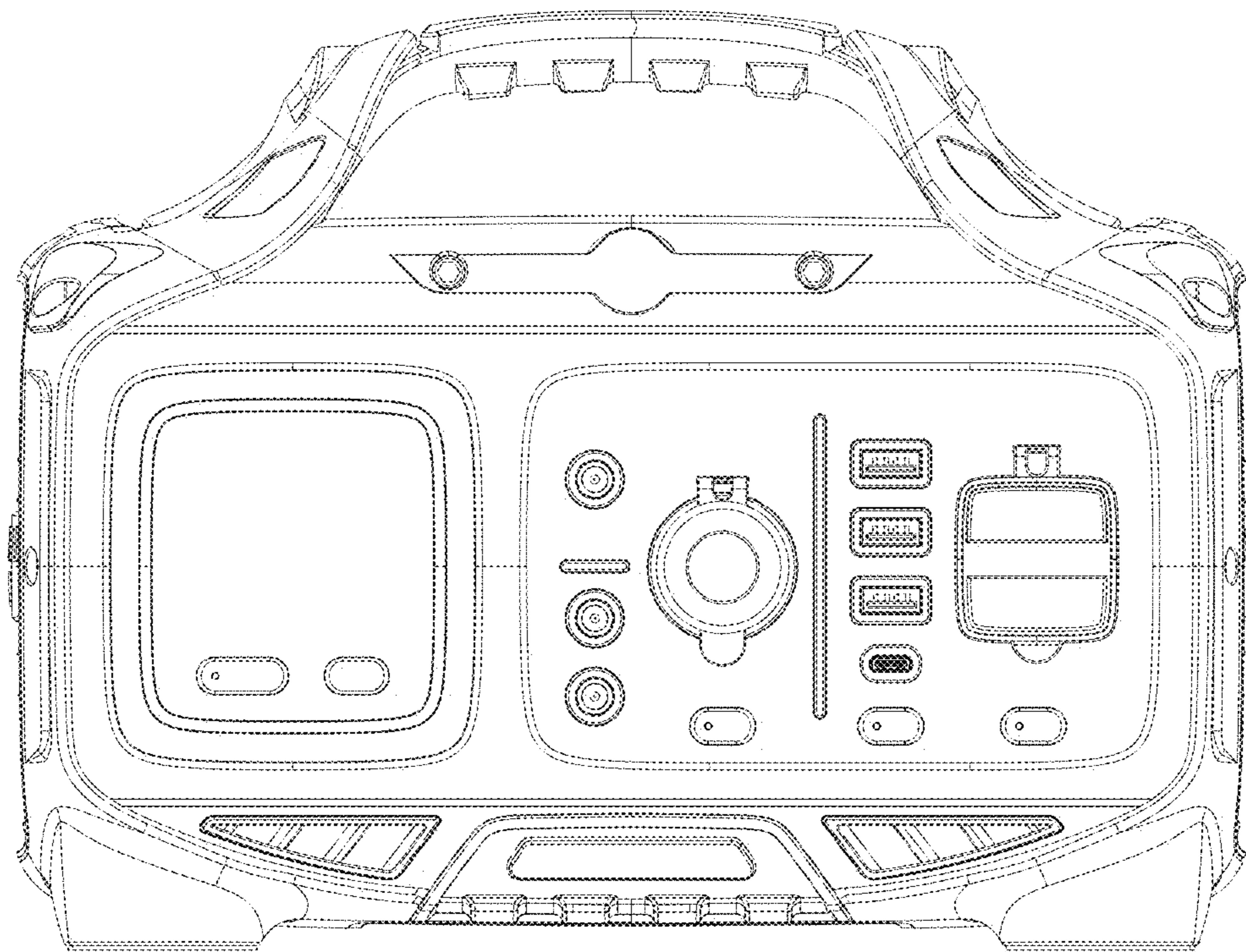


Fig. 1

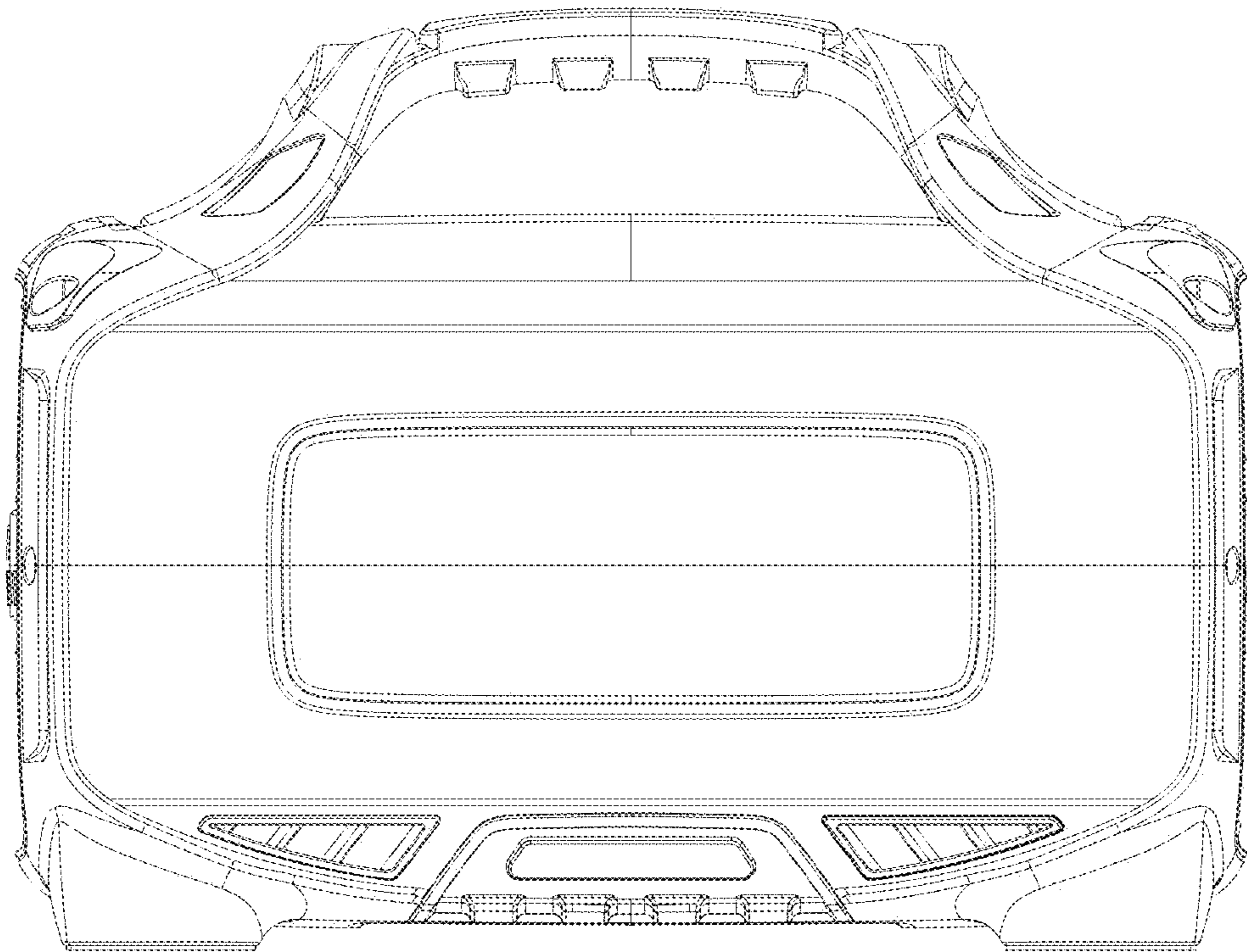


Fig. 2

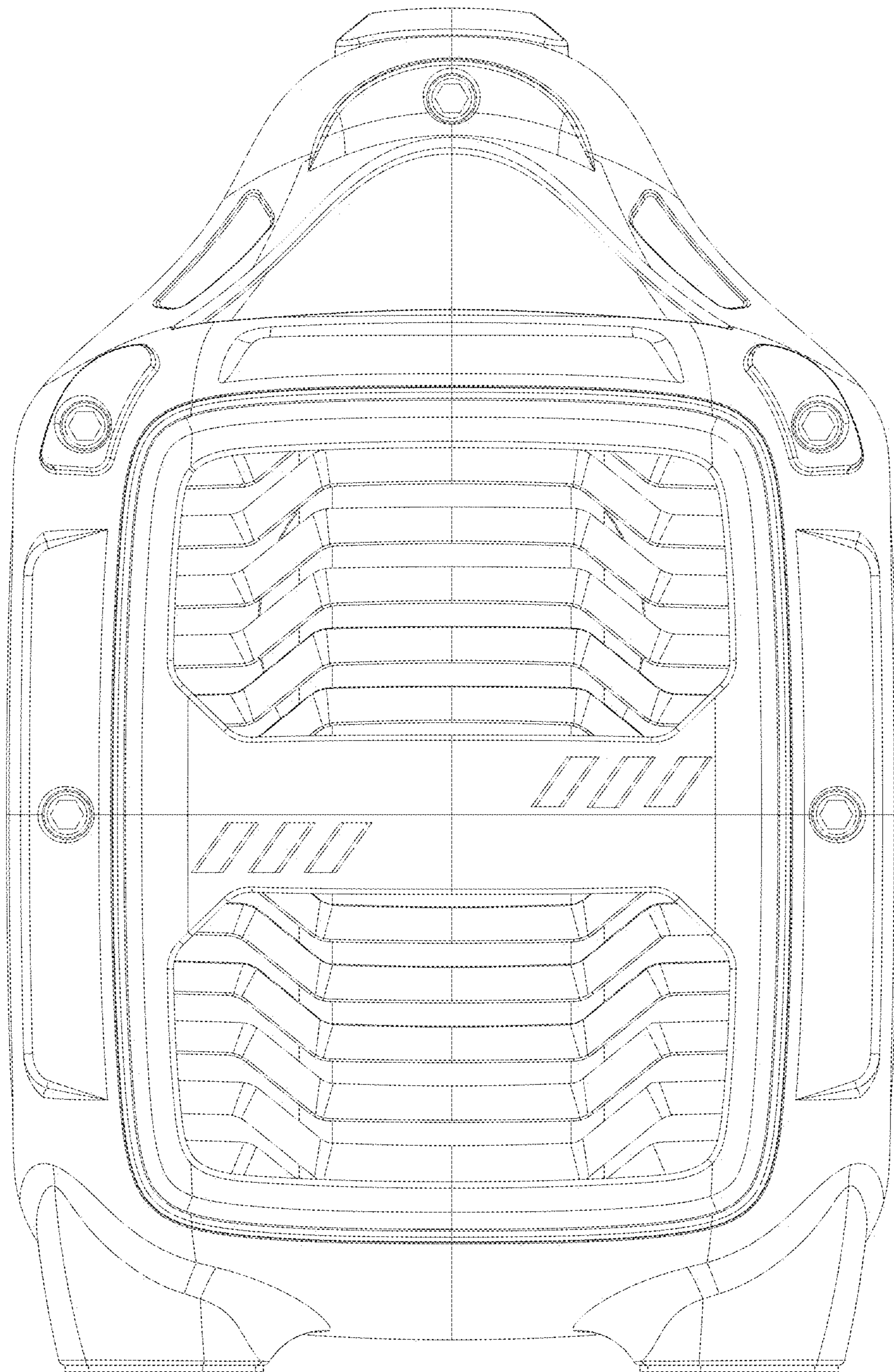


Fig. 3

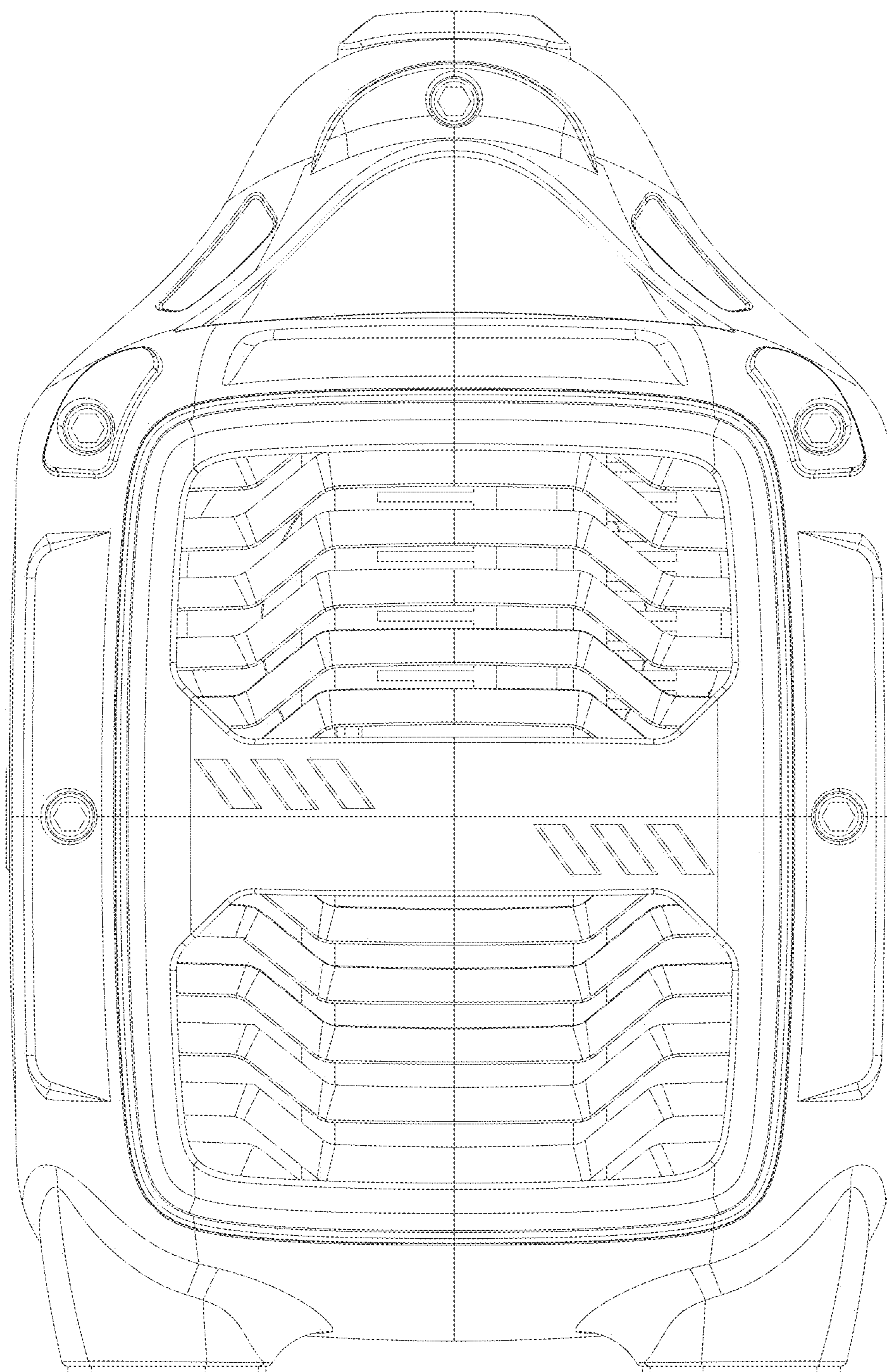


Fig. 4

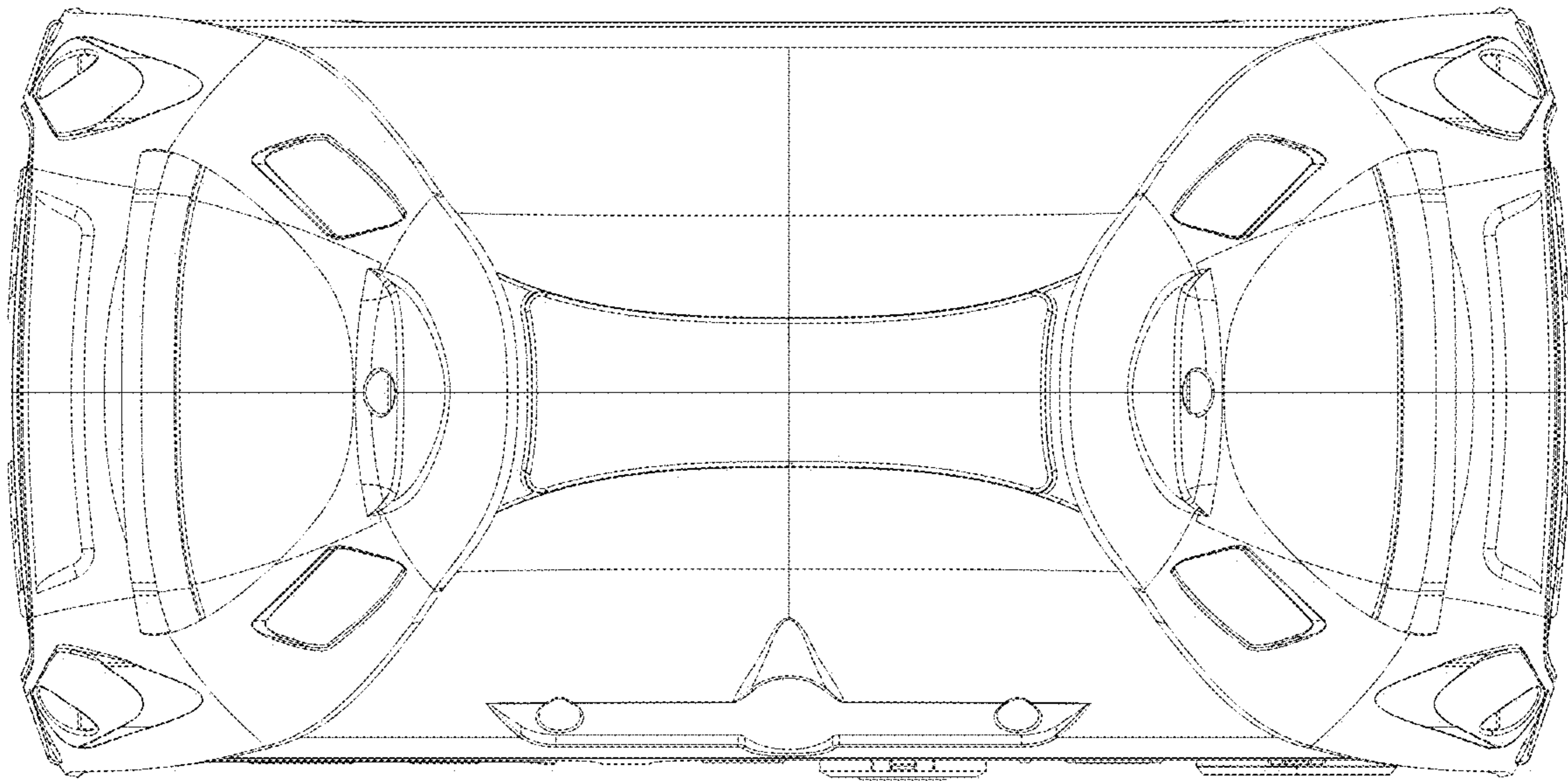


Fig. 5

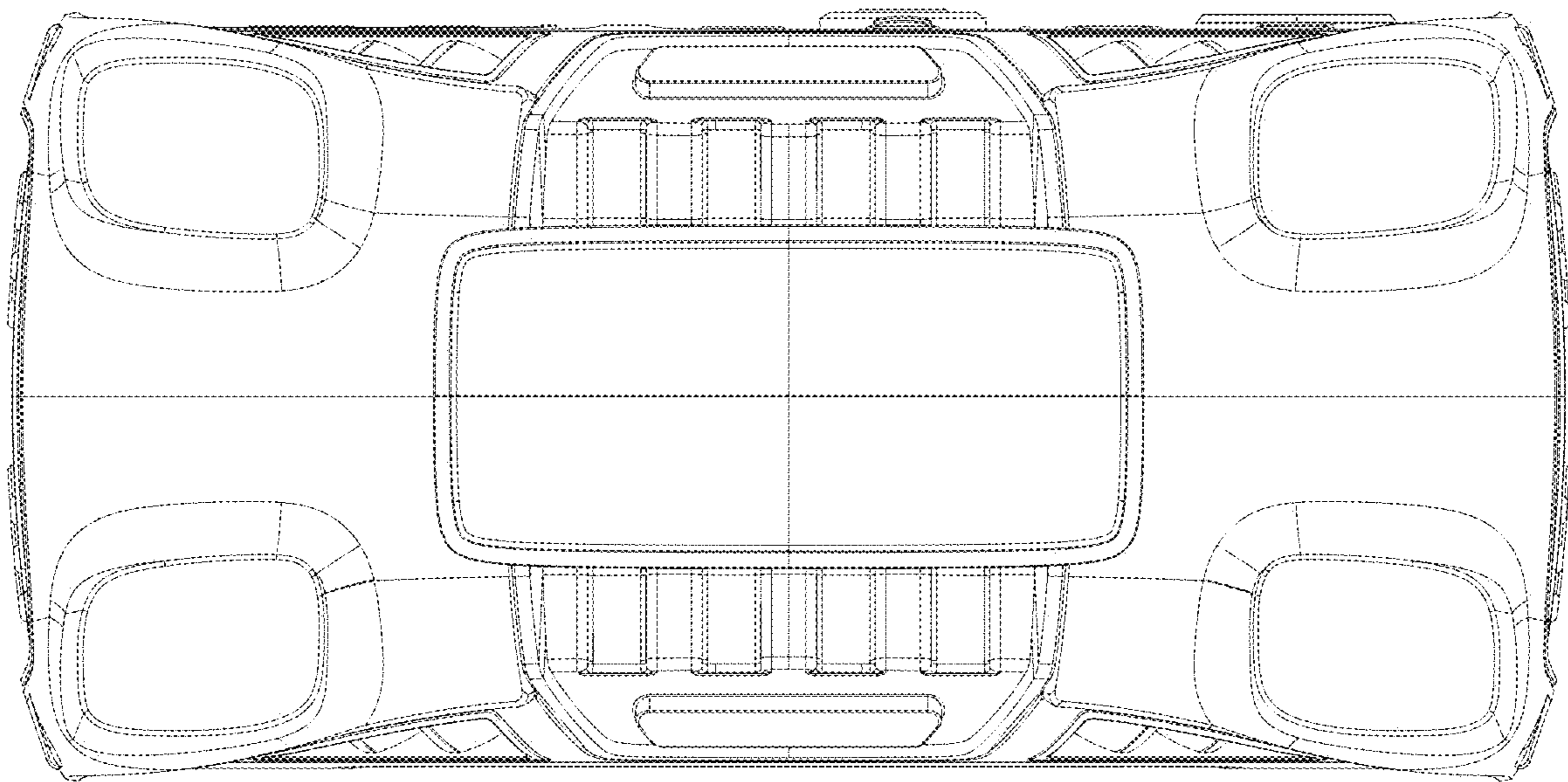


Fig. 6

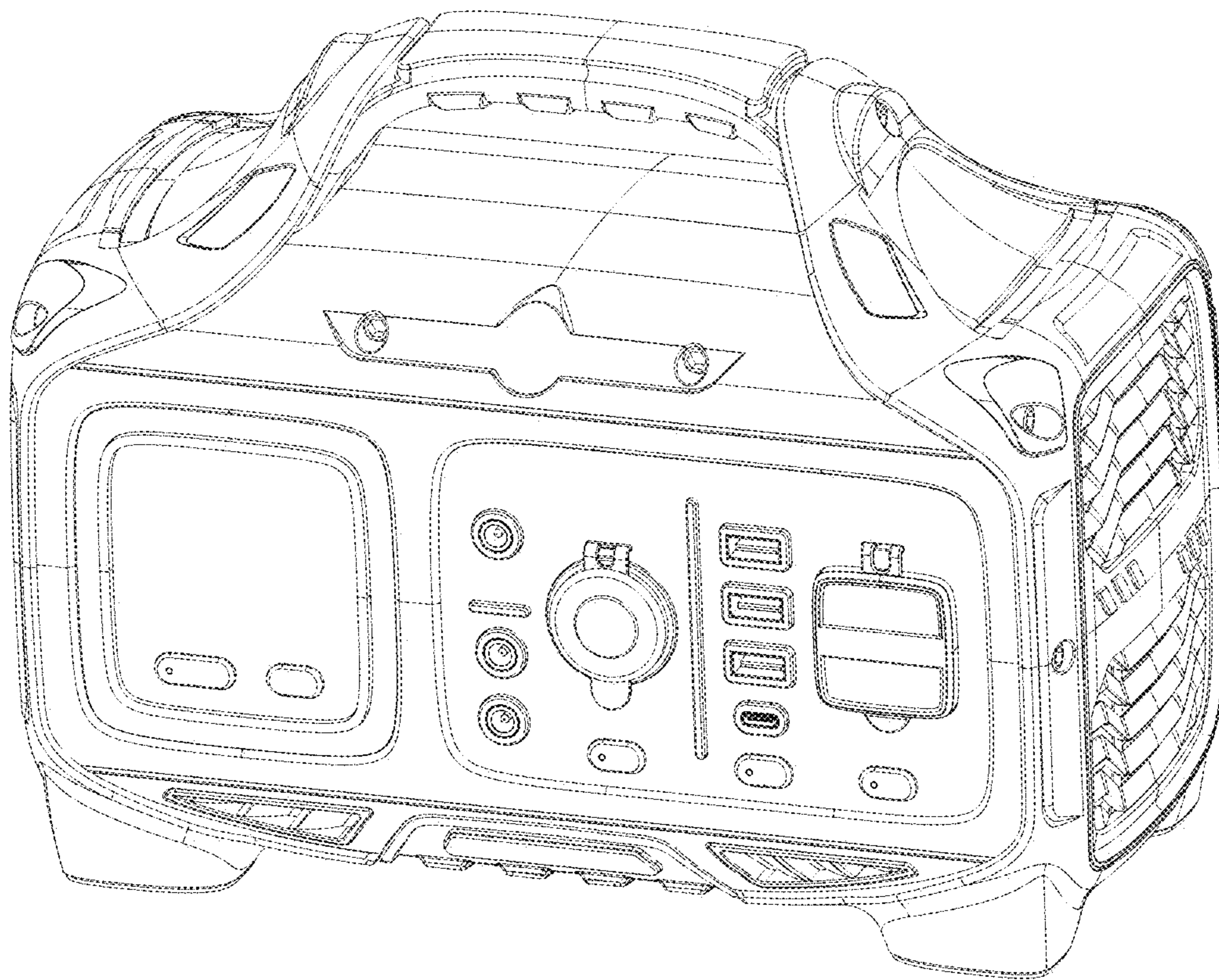


Fig. 7

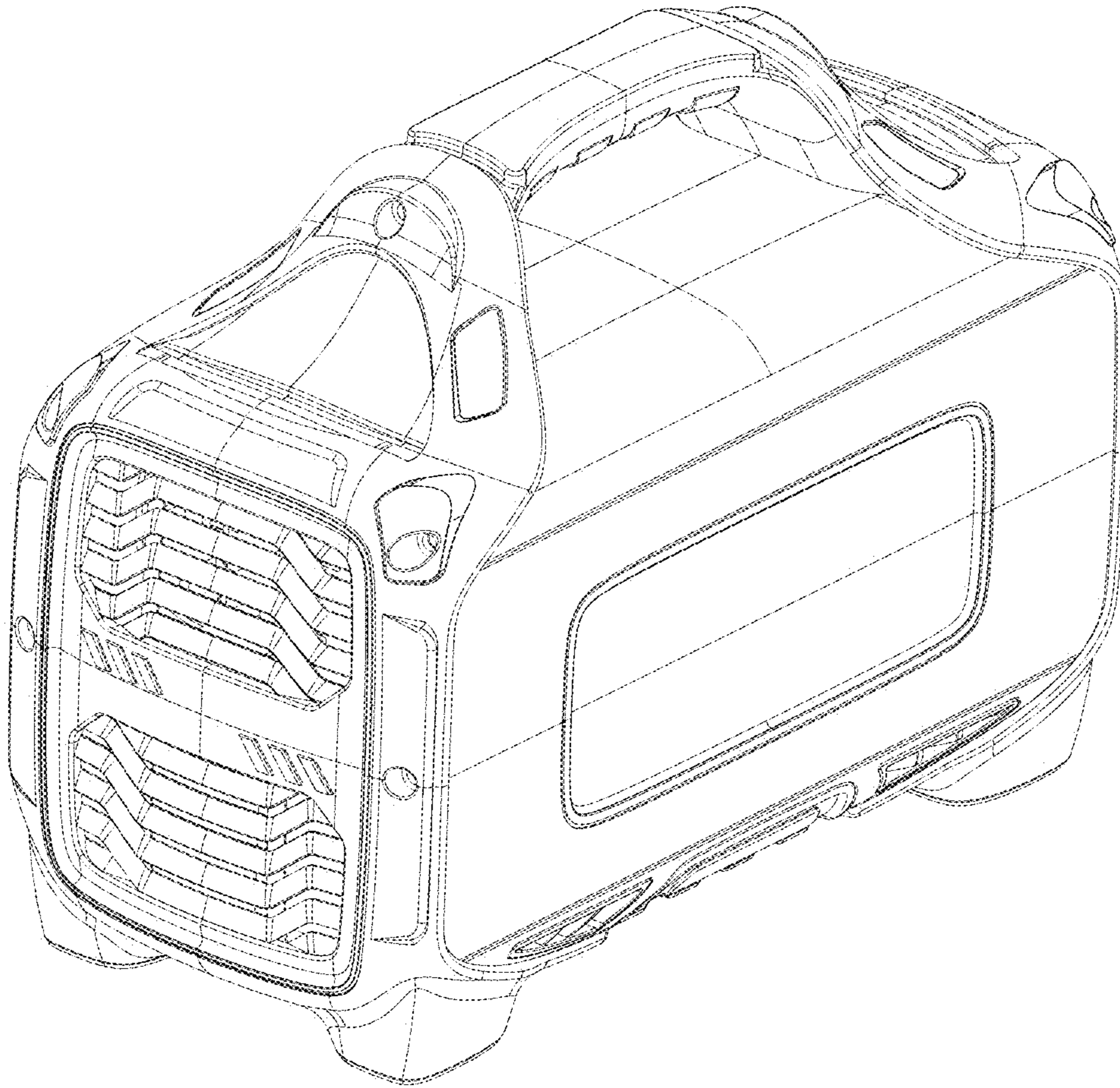


Fig. 8