



US00D936581S

(12) **United States Design Patent** (10) **Patent No.:** **US D936,581 S**  
**Chao et al.** (45) **Date of Patent:** **\*\* Nov. 23, 2021**

(54) **POWER SUPPLY**

D870,685 S \* 12/2019 Archer ..... D13/184  
D870,686 S \* 12/2019 Archer ..... D13/184  
2018/0352675 A1\* 12/2018 Corbo ..... H05K 7/183

(71) Applicant: **Delta Electronics, Inc.**, Taoyuan (TW)

(72) Inventors: **Po-Heng Chao**, Taoyuan (TW);  
**Ching-Ho Chou**, Taoyuan (TW)

(73) Assignee: **DELTA ELECTRONICS, INC.**,  
Taoyuan (TW)

(\*\*) Term: **15 Years**

(21) Appl. No.: **29/718,697**

(22) Filed: **Dec. 27, 2019**

(51) **LOC (13) Cl.** ..... **13-02**

(52) **U.S. Cl.**  
USPC ..... **D13/110**; D13/103

(58) **Field of Classification Search**  
USPC ..... D13/103, 199, 107, 108, 110, 184, 104,  
D13/105, 106, 118, 119, 123, 133;  
D14/432, 434

CPC ..... H02J 1/122; H02J 7/0045; H02J 7/0078;  
H02J 7/00714; H02J 7/00716; H02J  
7/0025; H02J 7/0027; H02J 7/14; H02J  
7/1461; H02M 7/003; H02M 7/42

See application file for complete search history.

(56) **References Cited**

**U.S. PATENT DOCUMENTS**

D399,830 S \* 10/1998 Nagai ..... D13/158  
D621,860 S \* 8/2010 Fukano ..... D15/143  
D822,592 S \* 7/2018 Cavalli, III ..... D13/103  
D826,845 S \* 8/2018 Greiner ..... D13/103  
D826,846 S \* 8/2018 Greiner ..... D13/103

**FOREIGN PATENT DOCUMENTS**

CN 305366405 \* 9/2019  
CN 305478778 \* 12/2019  
KR 3009271830000 10/2017  
TW D159128 3/2014  
TW D196146 2/2019

\* cited by examiner

*Primary Examiner* — Rosemary K Tarcza

*Assistant Examiner* — Seth David Kumpf

(74) *Attorney, Agent, or Firm* — Kirton McConkie; Evan R. Witt

(57) **CLAIM**

The ornamental design for a power supply, as shown and described.

**DESCRIPTION**

FIG. 1 is a front, top and left side perspective view of a power supply showing our new design;

FIG. 2 is a rear, bottom and right side perspective view thereof;

FIG. 3 is a front elevational view thereof;

FIG. 4 is a rear elevational view thereof;

FIG. 5 is a left side elevational view thereof;

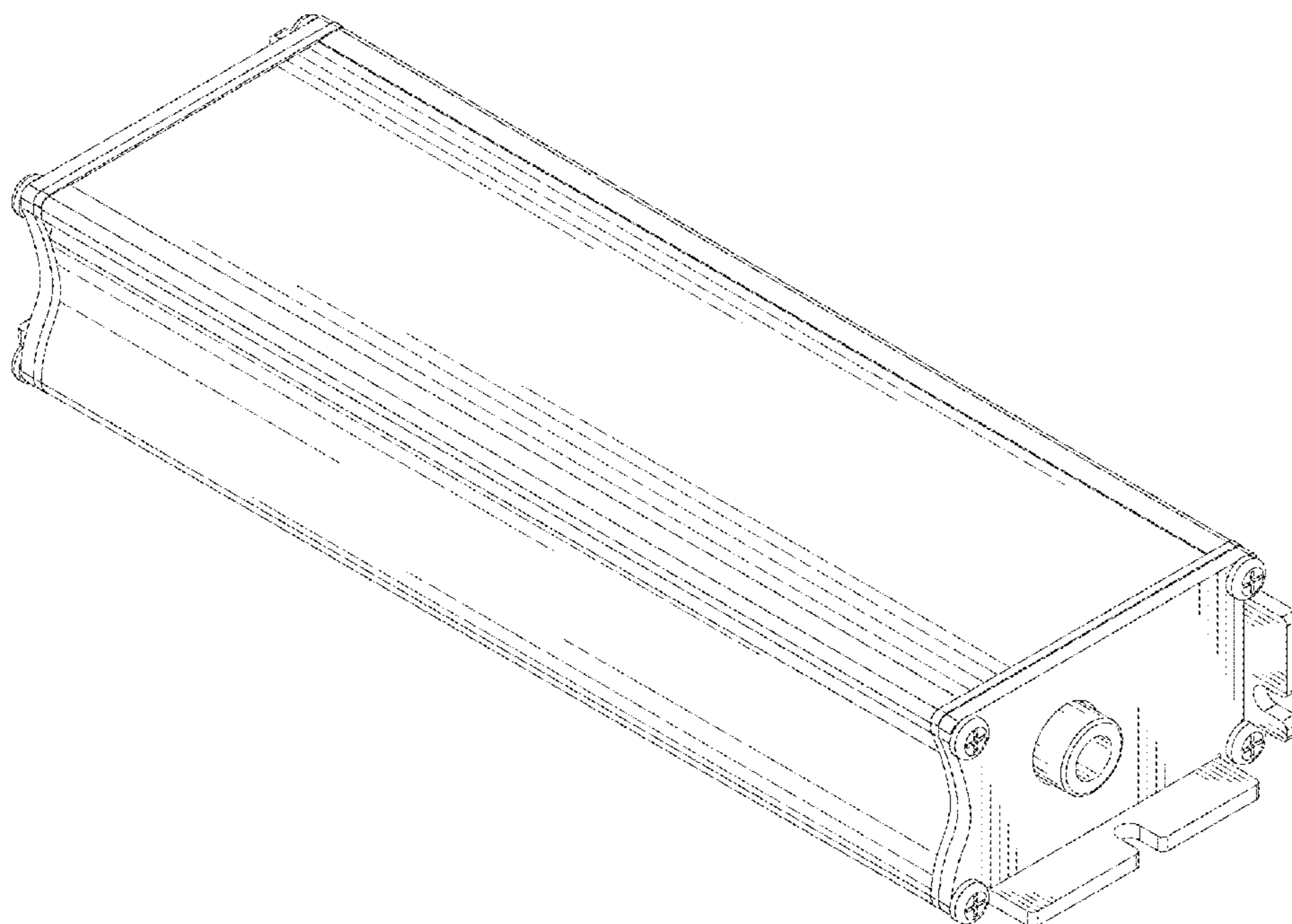
FIG. 6 is a right side elevational view thereof;

FIG. 7 is a top plan view thereof;

FIG. 8 is a bottom plan view thereof; and,

FIG. 9 is a cross-section view taken along the line 9-9 of FIG. 7.

**1 Claim, 8 Drawing Sheets**



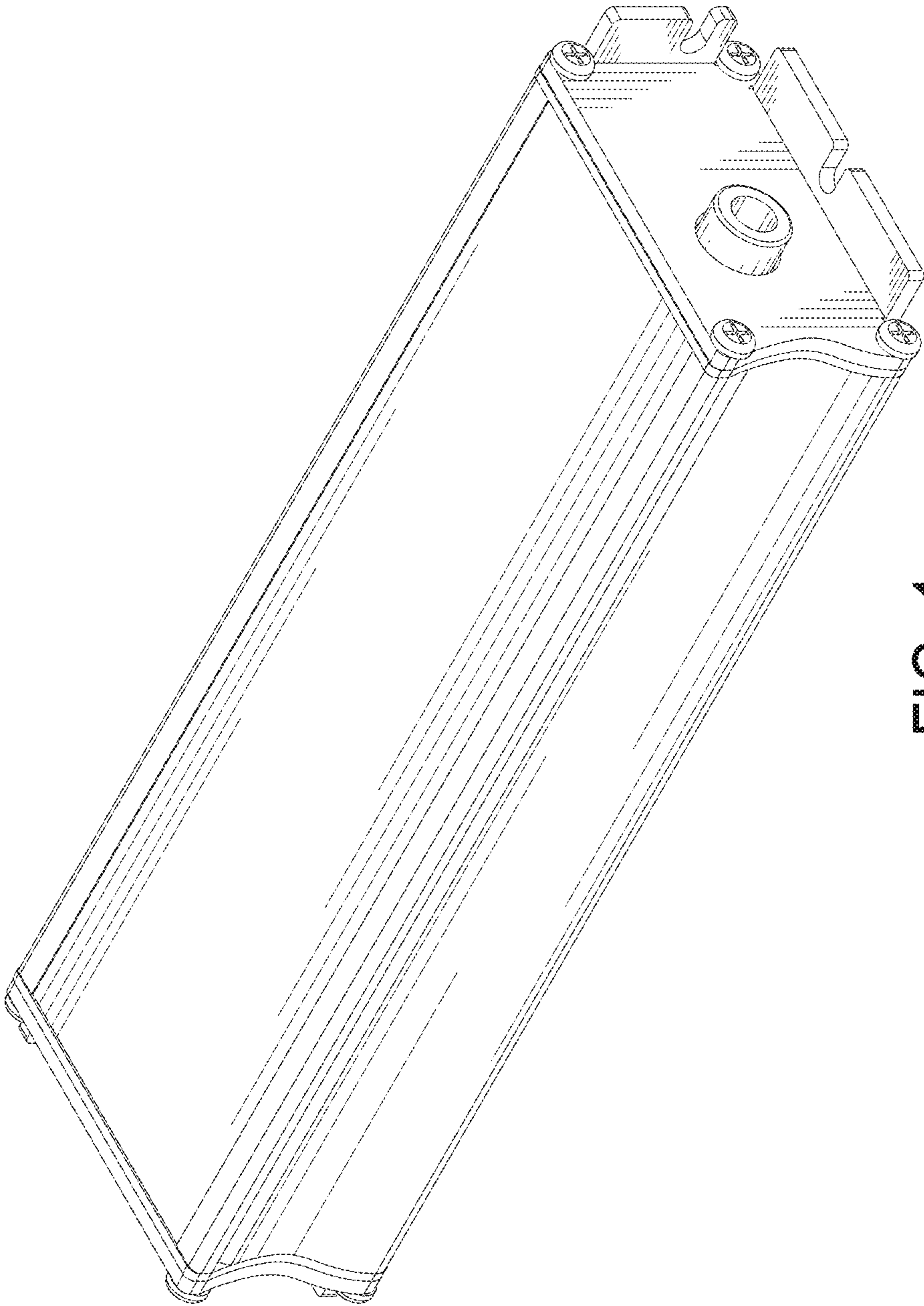


FIG. 1

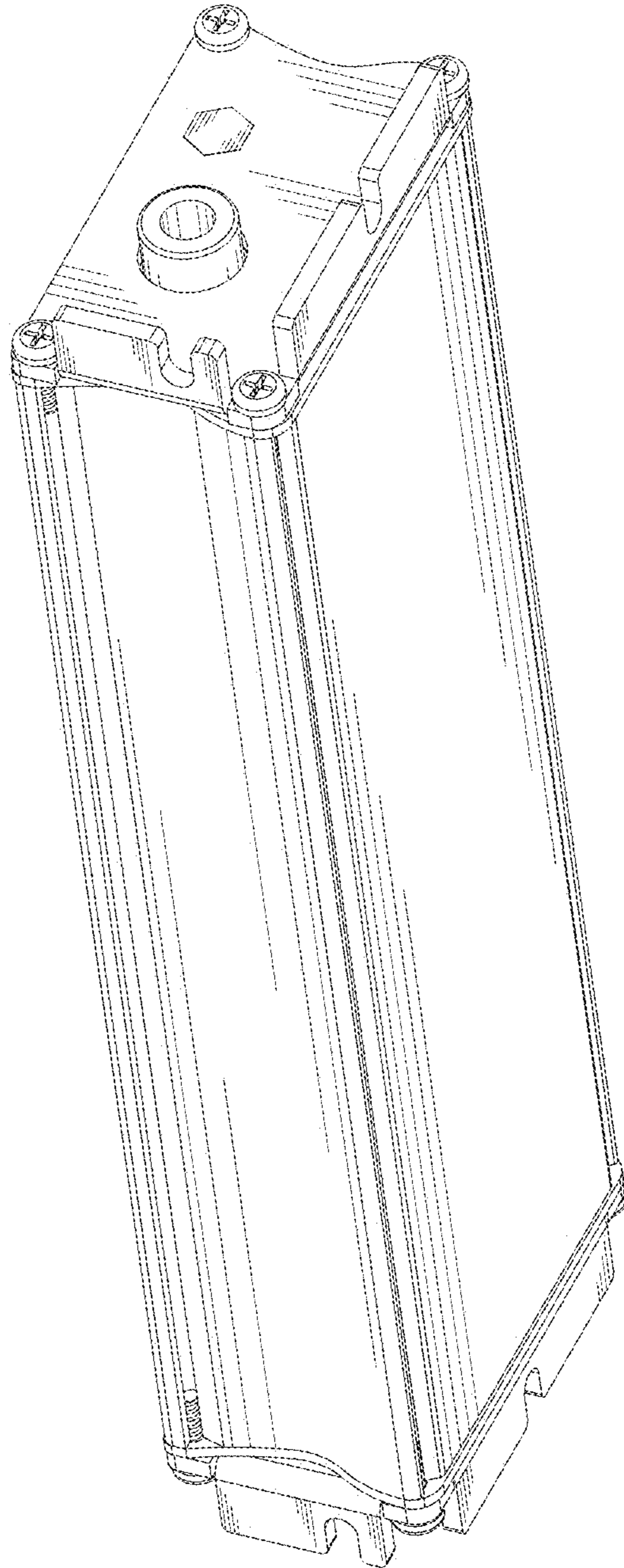


FIG. 2

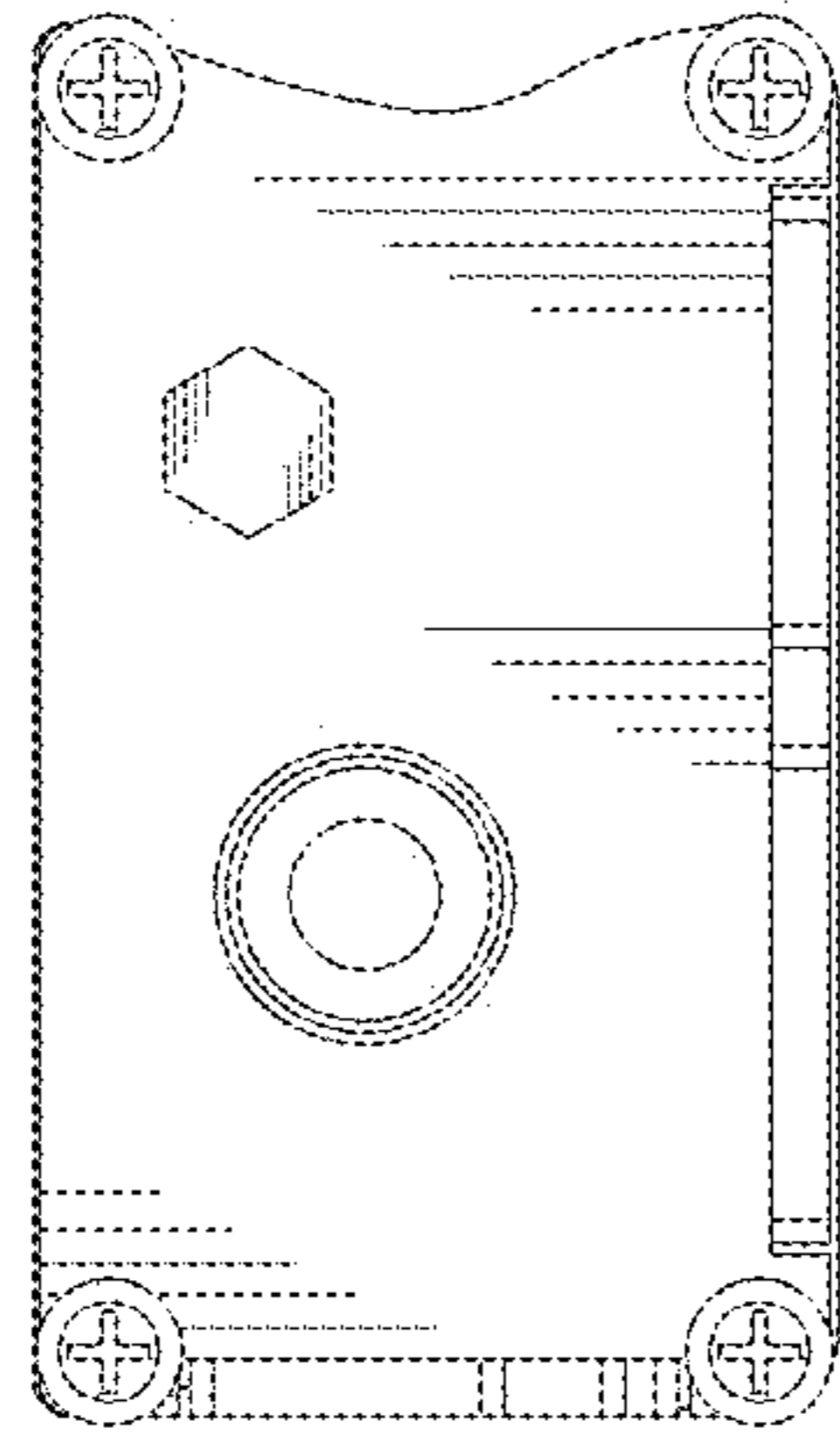


FIG. 3

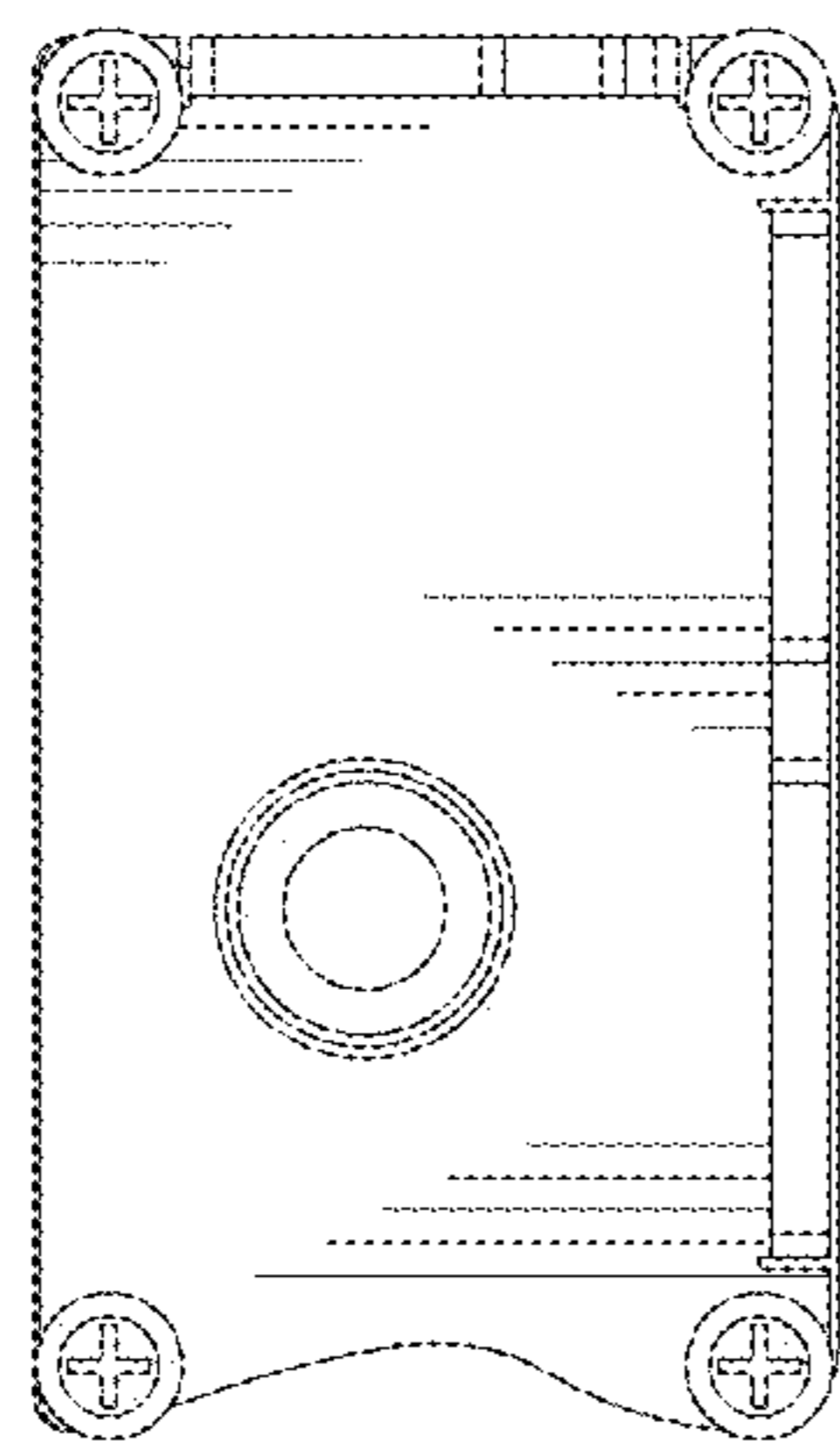


FIG. 4



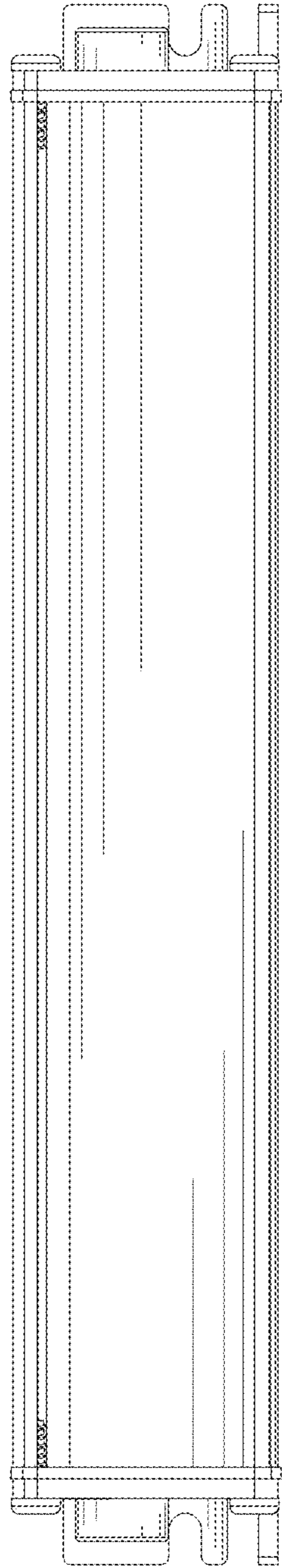


FIG. 5

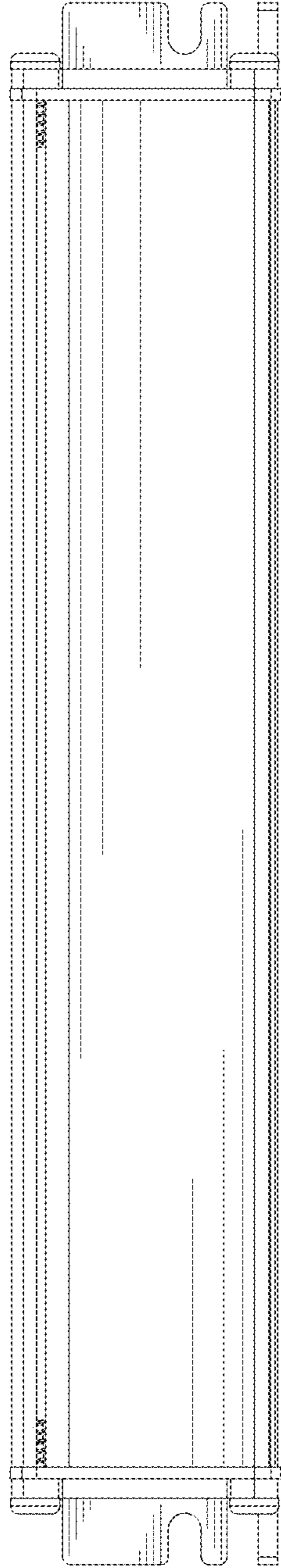


FIG. 6

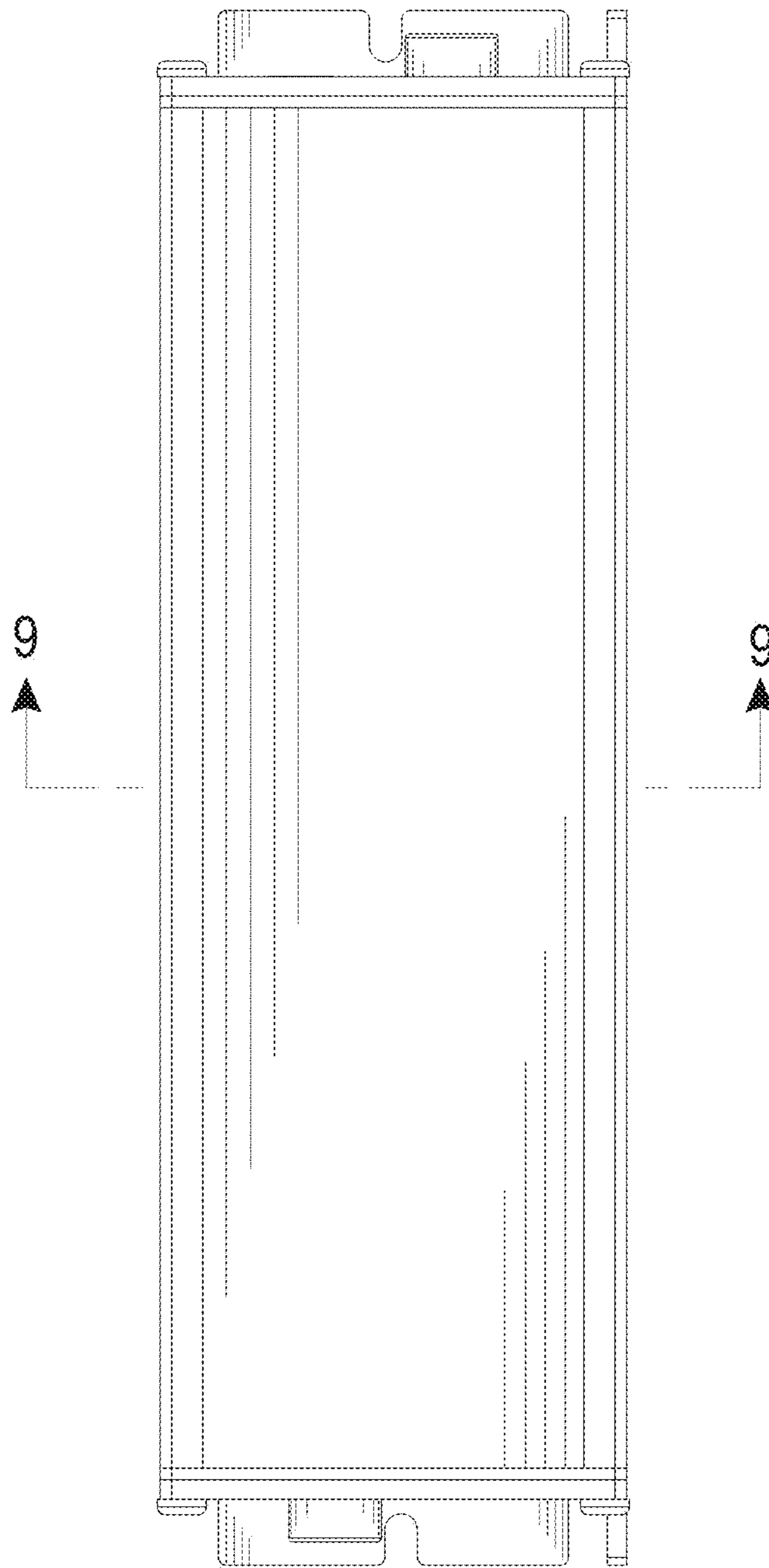


FIG. 7

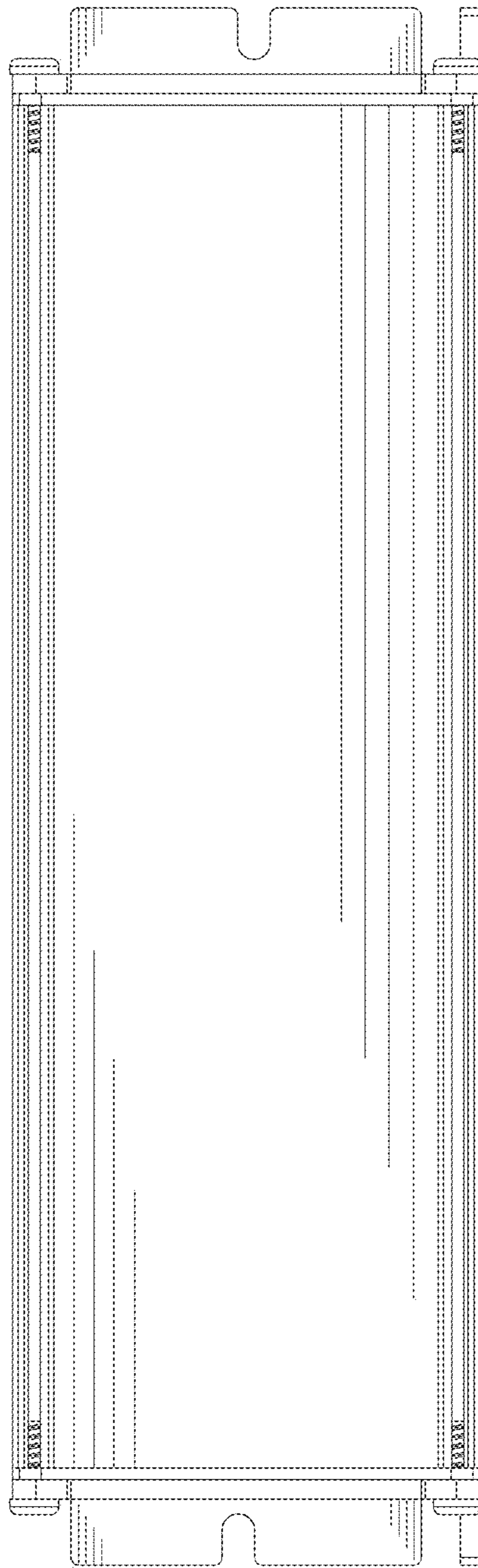


FIG. 8



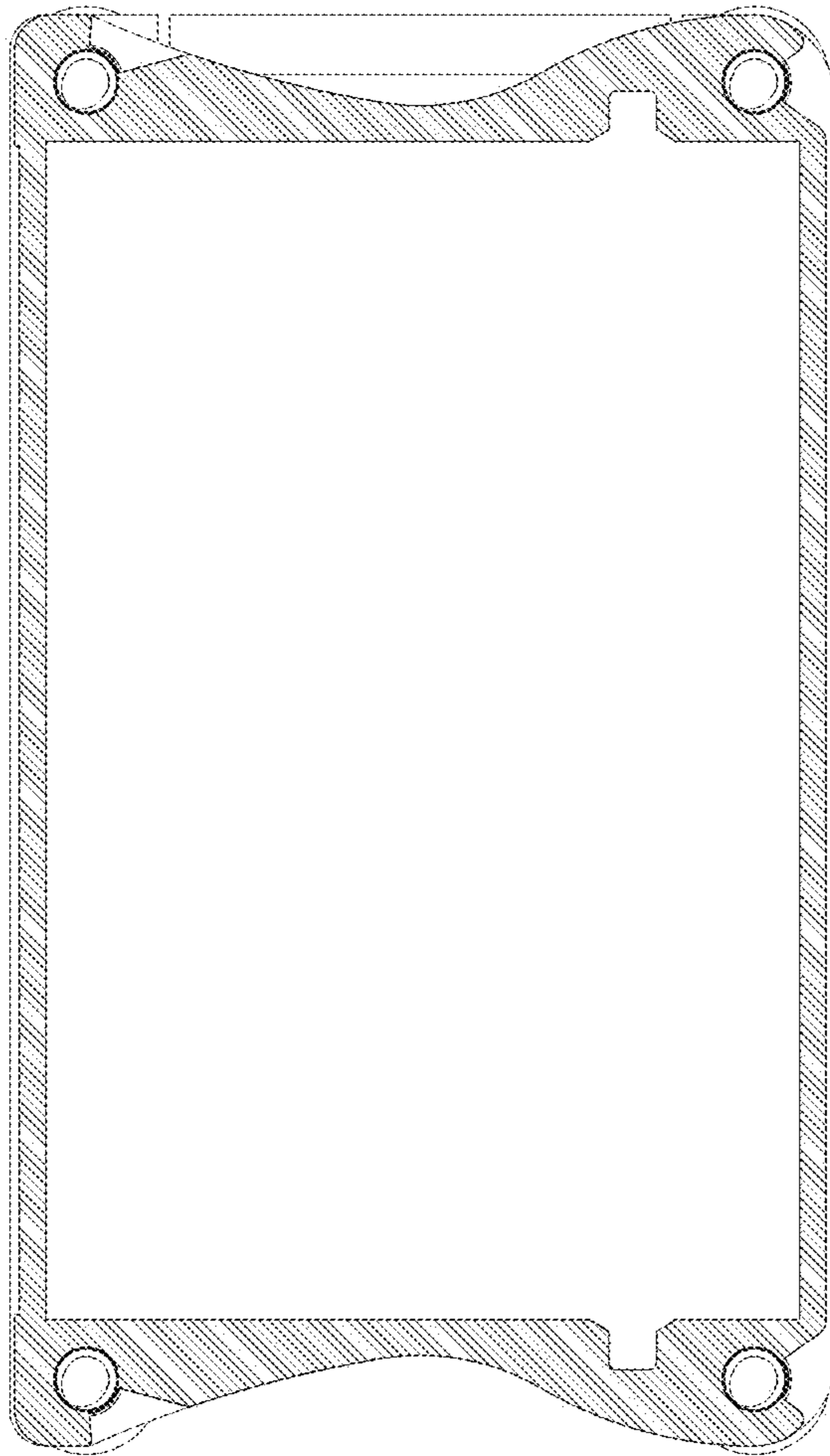


FIG. 9