



US00D936580S

(12) **United States Design Patent** (10) **Patent No.:** **US D936,580 S**
Li (45) **Date of Patent:** **** Nov. 23, 2021**

(54) **CHARGING CRADLE FOR FASCIA GUN**

(71) Applicant: **Gangxuan Li**, Yongkang (CN)

(72) Inventor: **Gangxuan Li**, Yongkang (CN)

(**) Term: **15 Years**

(21) Appl. No.: **29/736,843**

(22) Filed: **Jun. 3, 2020**

(30) **Foreign Application Priority Data**

Mar. 11, 2020 (CN) 202030074754.8

(51) **LOC (13) Cl.** **13-02**

(52) **U.S. Cl.**
USPC **D13/108**

(58) **Field of Classification Search**
USPC D13/103, 107, 108, 118, 119, 184;
D6/524, 526; D14/142, 149, 209.1, 251,
D14/434, 435.1; D24/231, 232;
D27/162, 172, 183, 194
CPC H02J 7/0044; H02J 50/00; H02J 7/02
See application file for complete search history.

(56) **References Cited**

U.S. PATENT DOCUMENTS

D342,718 S *	12/1993	Mackay	D13/108
D408,783 S *	4/1999	Lucaci	D13/107
D432,983 S *	10/2000	Lohrding	D13/107
D455,396 S *	4/2002	Scott	D13/108
D469,073 S *	1/2003	Muenschner	D14/149
D520,446 S *	5/2006	Liu	D13/108
D548,177 S *	8/2007	Okuda	D13/107
D600,204 S *	9/2009	Woon	D13/107
D601,497 S *	10/2009	Aglassinger	D13/107
D768,570 S *	10/2016	Shigeno	D13/108
2005/0024011 A1 *	2/2005	Chen	H02J 7/0044 320/107
2016/0134151 A1 *	5/2016	Fischer	H02J 7/0044 320/108
2020/0034588 A1 *	1/2020	Colavito	G06K 7/10821

OTHER PUBLICATIONS

“TheraGun G2PRO Professional Massager.” Found online Aug. 11, 2021 at garagegymreviews.com. Reference dated Sep. 10, 2017. Retrieved from https://tineye.com/search/59601b88736b0e33cbcc54463599c128e12a97b3?sort=crawl_date&order=asc&page=1. (Year: 2017).*

“ALDOM Massage Gun Charging Base”. Found online Aug. 11, 2021 at amazon.com. Reference dated Jan. 3, 2020. Retrieved from https://www.amazon.com/ALDOM-Charging-Portable-Compatible-Hypervolt/dp/B083FP34RZ/ref=pd_lpo_2?pd_rd_i=B083FP34RZ&psc=1. (Year: 2020).*

“Charging Cradle”. Found online Aug. 19, 2021 at registered-design.service.gov.uk. Reference dated Aug. 19, 2021. Retrieved from <https://www.registered-design.service.gov.uk/find/6091209>. (Year: 2021).*

* cited by examiner

Primary Examiner — Kendra Leslie Hamilton
Assistant Examiner — Amanda Christensen

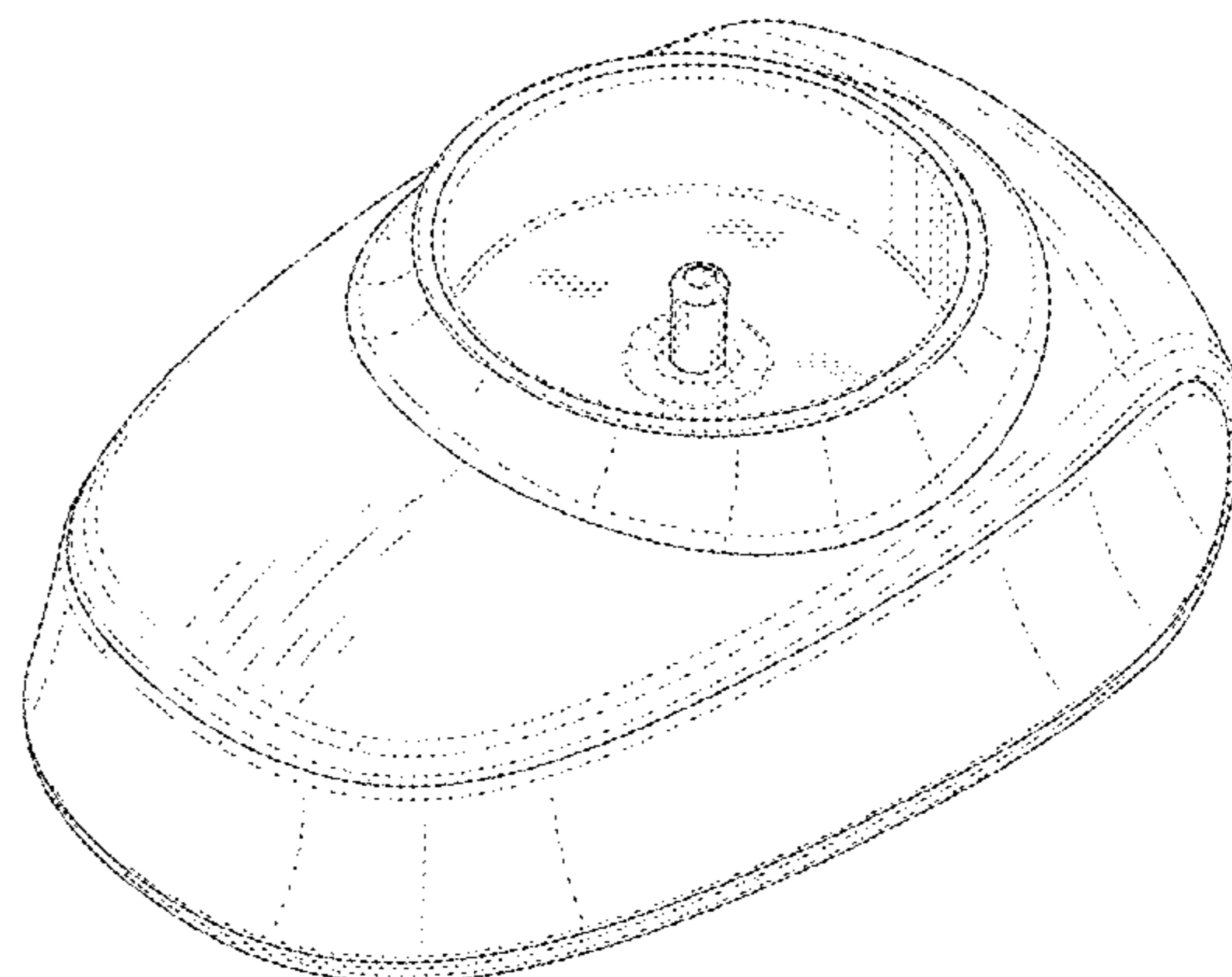
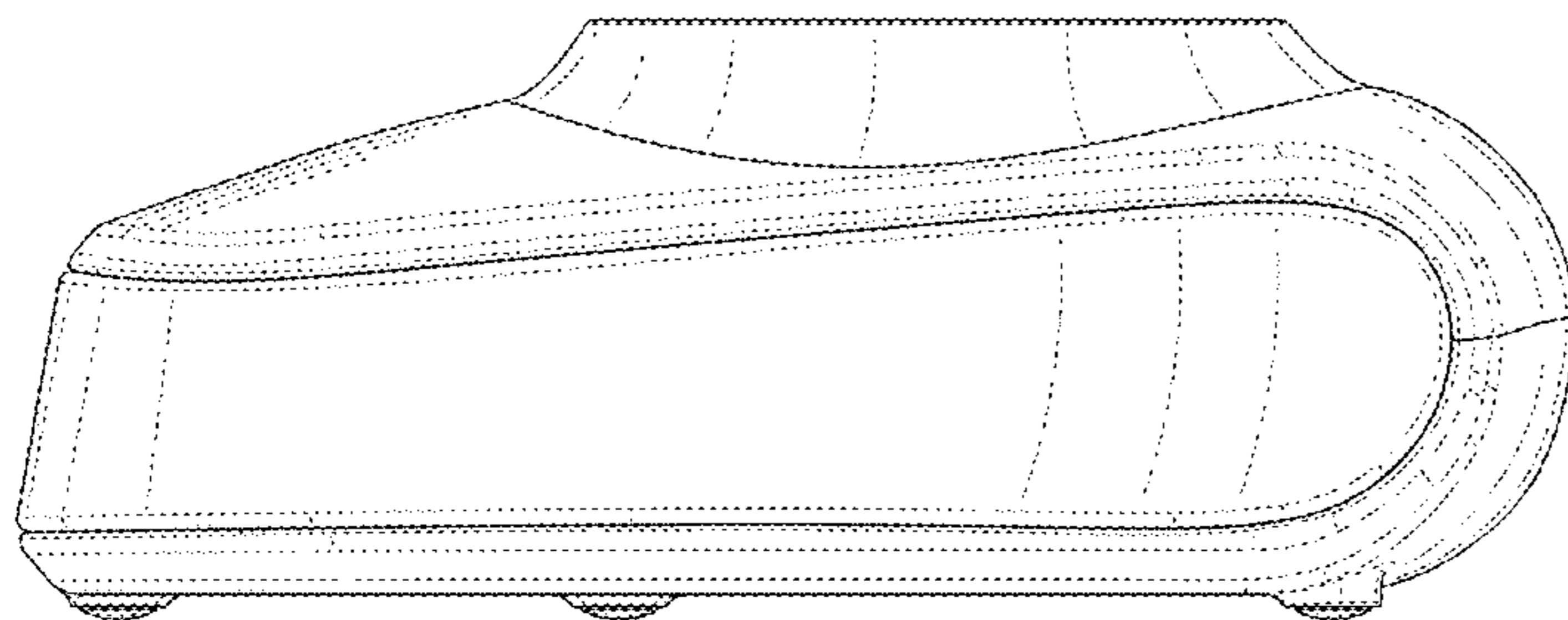
(57) **CLAIM**

The ornamental design for a charging cradle for fascia gun, as shown and described.

DESCRIPTION

FIG. 1 is a front elevational view of a charging cradle for fascia gun showing my new design;
FIG. 2 is a rear elevational view thereof;
FIG. 3 is a left side view thereof;
FIG. 4 is a right side view thereof;
FIG. 5 is a top plan view thereof;
FIG. 6 is a bottom plan view thereof; and,
FIG. 7 is a top, front, left side perspective view thereof.
The broken lines in the drawing depict portions of the charging cradle for fascia gun that form no part of the claimed design.

1 Claim, 7 Drawing Sheets



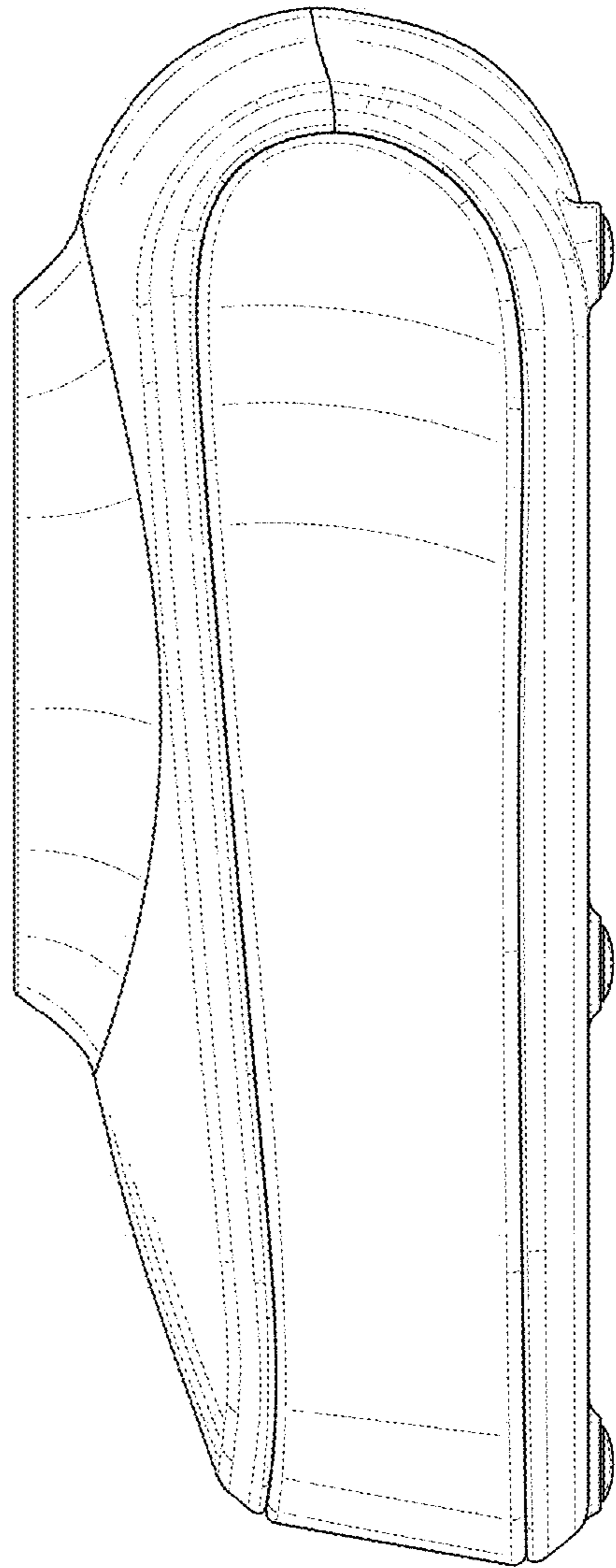


Fig. 1

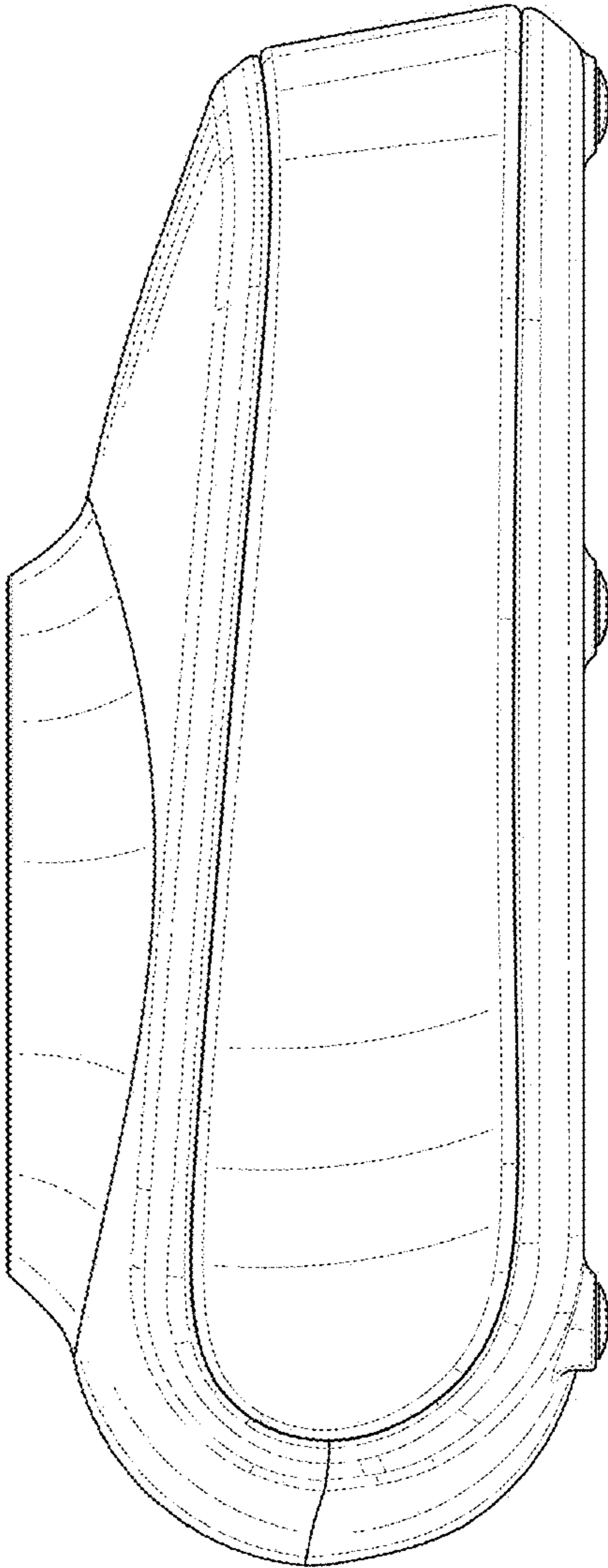


Fig. 2

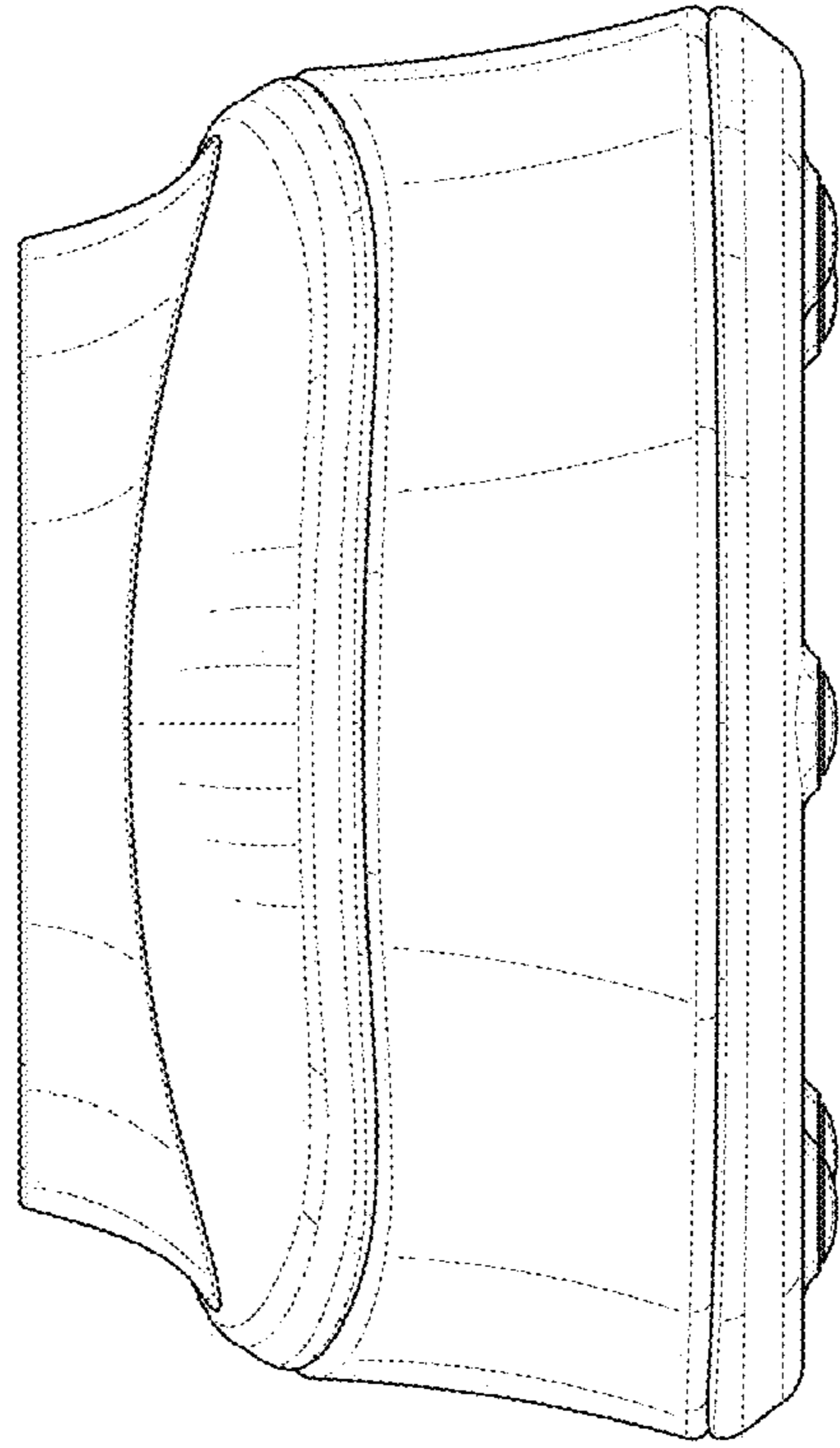


Fig. 3

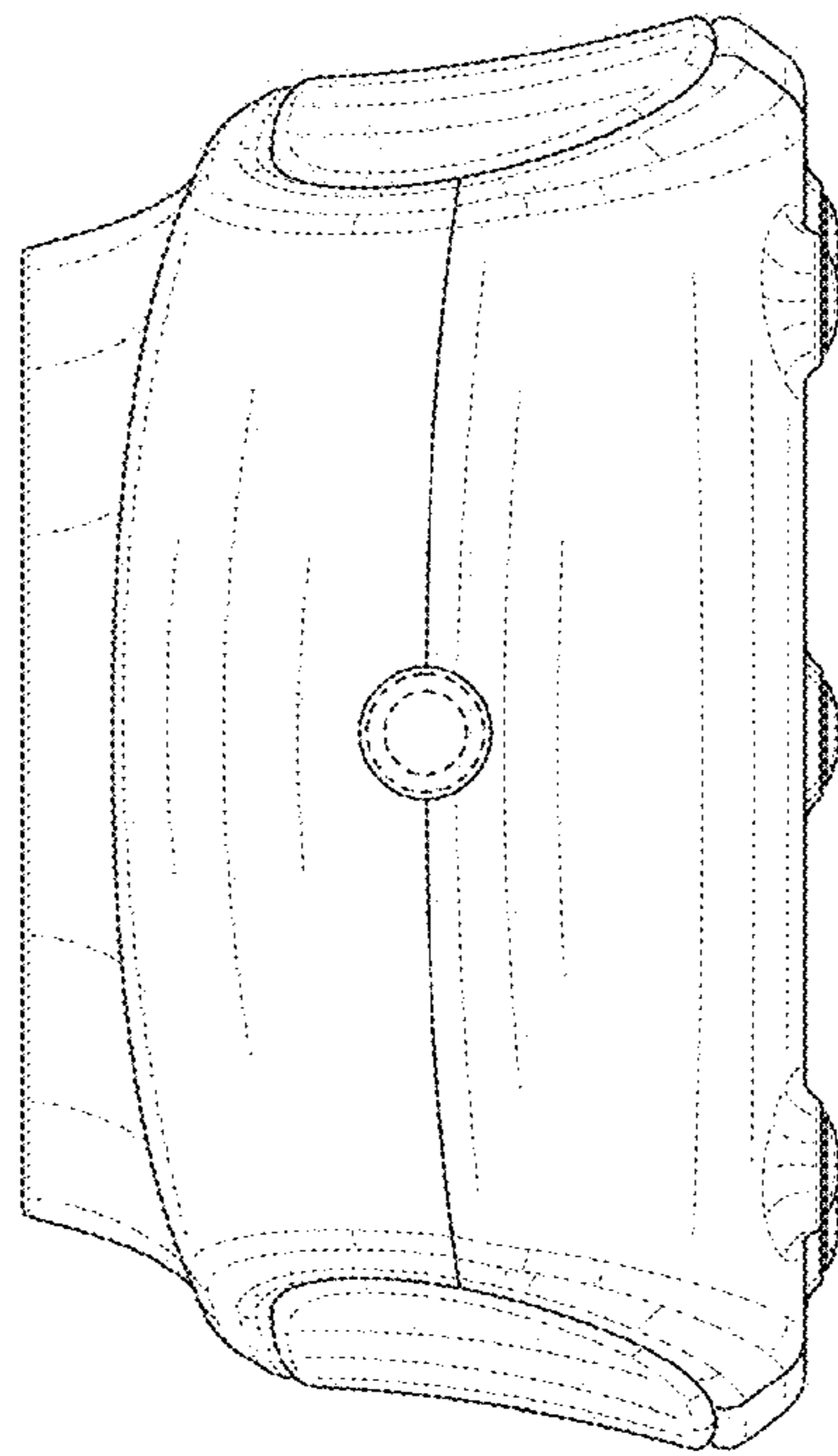


Fig. 4

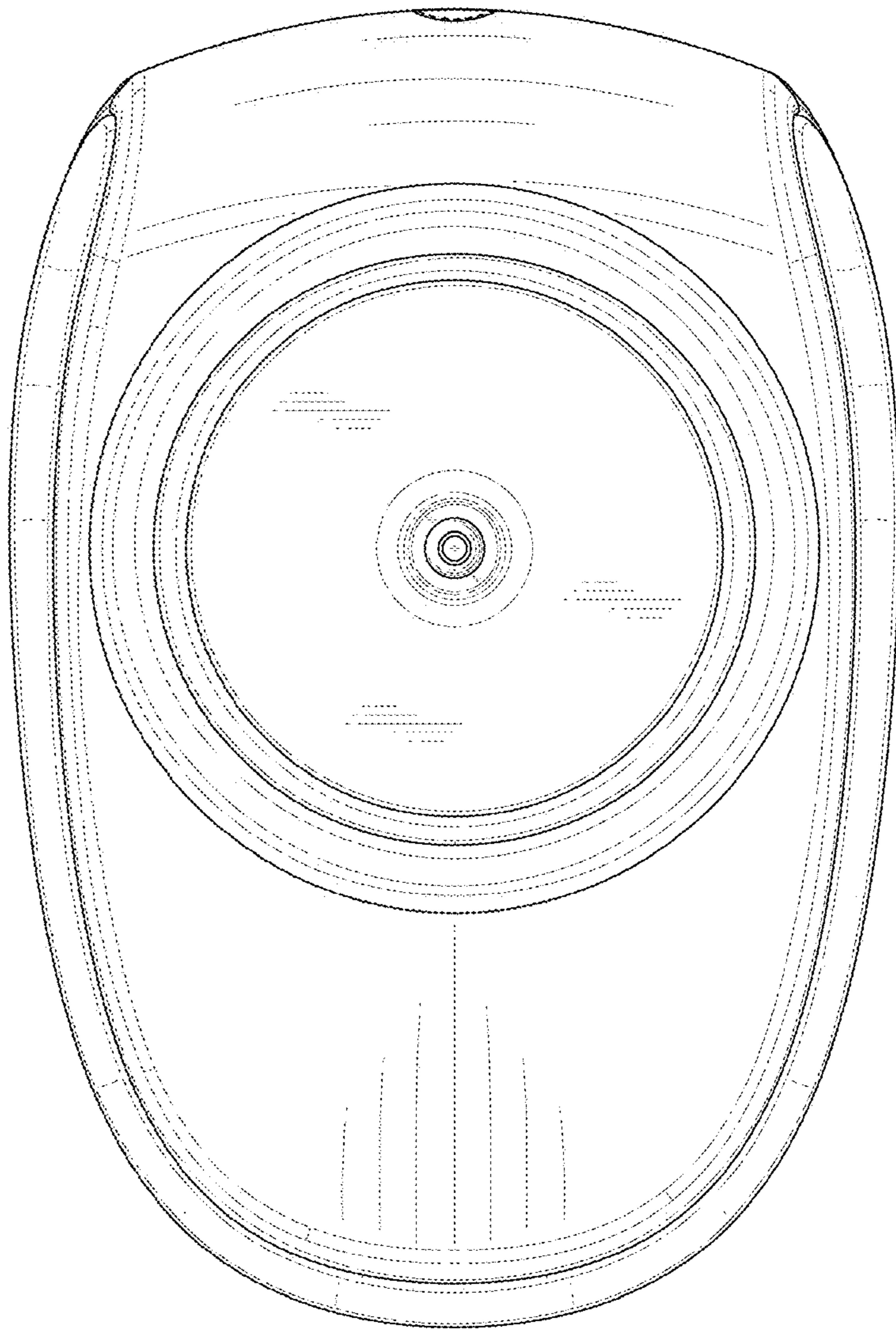


Fig. 5

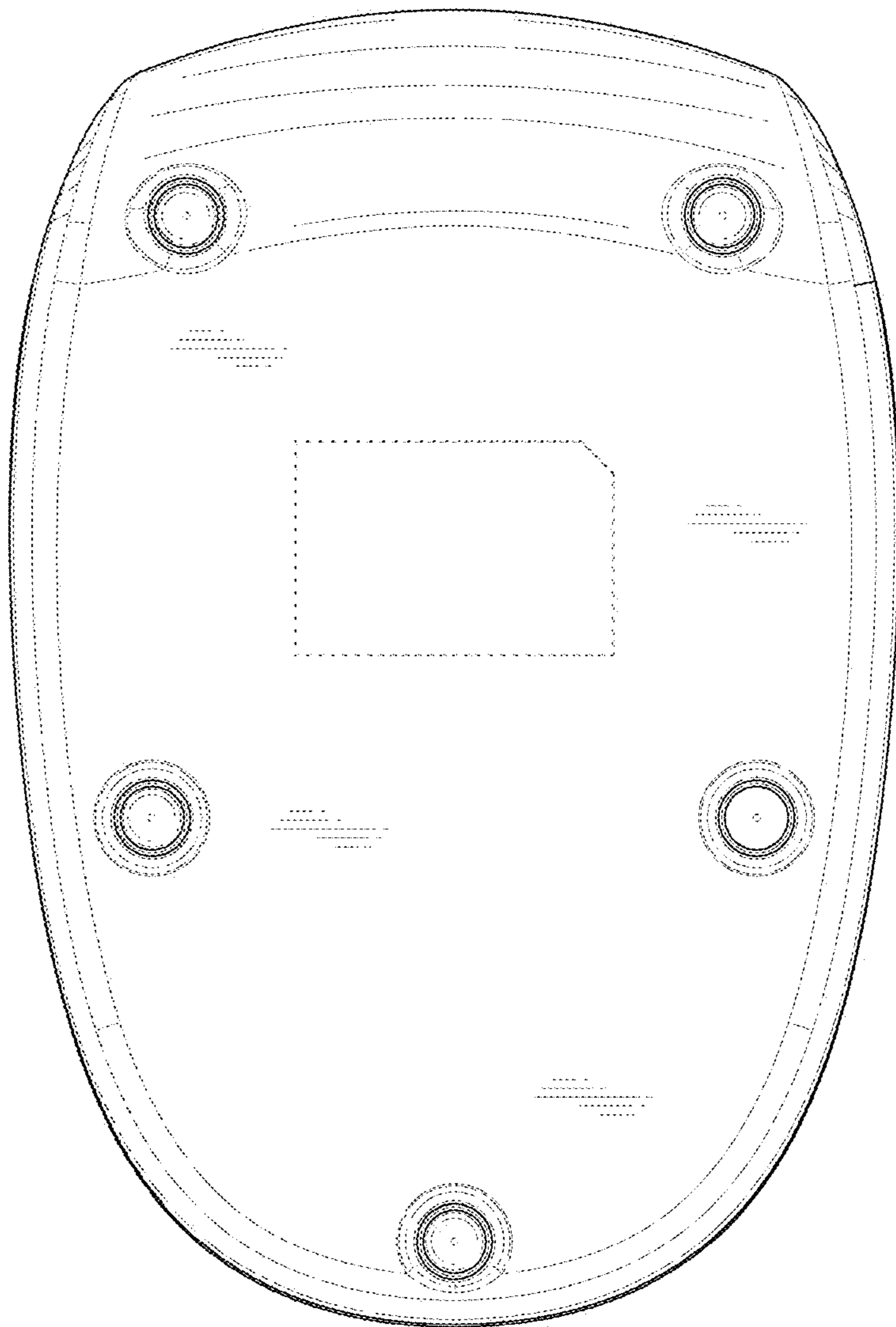


Fig. 6

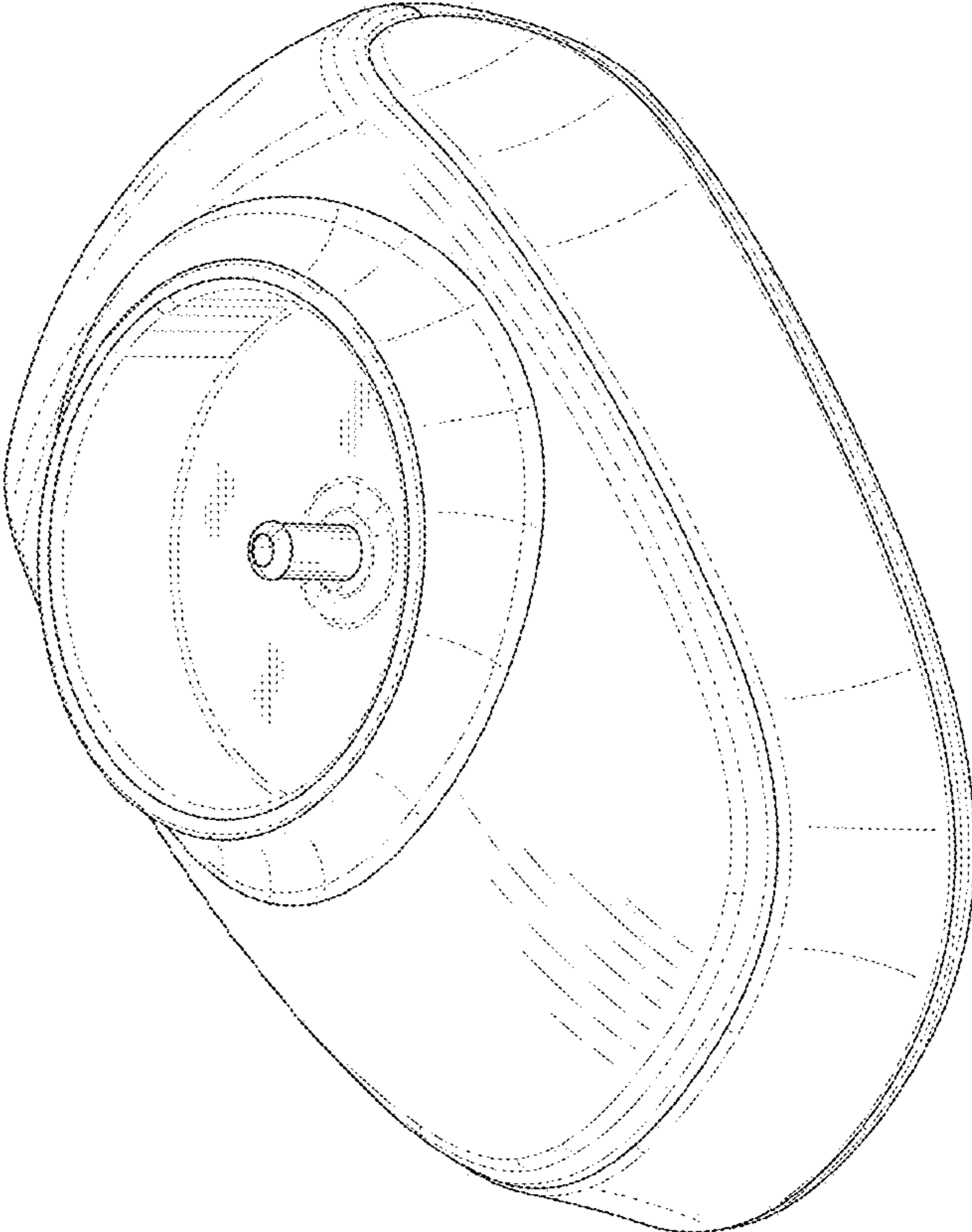


Fig. 7