



US00D936578S

(12) **United States Design Patent**
Zhu

(10) **Patent No.:** **US D936,578 S**

(45) **Date of Patent:** **** Nov. 23, 2021**

(54) **WIRELESS CHARGER**

(71) Applicant: **Fanghai Zhu**, Hunan (CN)

(72) Inventor: **Fanghai Zhu**, Hunan (CN)

(73) Assignee: **Shenzhen Shi Ting Industrial Co., Ltd.**, Shenzhen (CN)

(**) Term: **15 Years**

(21) Appl. No.: **29/732,596**

(22) Filed: **Apr. 26, 2020**

(30) **Foreign Application Priority Data**

Jan. 19, 2020 (CN) 202030037916.0

(51) **LOC (13) Cl.** **13-02**

(52) **U.S. Cl.**

USPC **D13/108; D12/425**

(58) **Field of Classification Search**

USPC D13/103, 107, 108, 110, 118, 119, 184,
D13/199; D12/400, 415, 422, 425;

D14/300, 432, 433, 434

CPC H02J 50/00; H02J 15/00; H02J 7/0044;
H05K 5/00

See application file for complete search history.

(56) **References Cited**

U.S. PATENT DOCUMENTS

D204,998 S *	6/1966	Klein	D12/425
D257,296 S *	10/1980	White	D12/425
D270,785 S *	10/1983	White	D12/425
D443,247 S *	6/2001	Chuan	D13/107
D454,864 S *	3/2002	Kubik	D14/242
D632,693 S *	2/2011	Heppener	D14/434
D676,371 S *	2/2013	Son	D12/415
D754,599 S *	4/2016	Yang	D13/108
9,623,690 B2 *	4/2017	Lyman	G06F 1/1632
9,680,532 B2 *	6/2017	Niec	H04B 5/0037

2004/0130289 A1 *	7/2004	Lam	H02J 7/0045 320/107
2019/0036364 A1 *	1/2019	An	B60R 11/02
2021/0194256 A1 *	6/2021	Carnevali	H02J 7/0044

OTHER PUBLICATIONS

“Car Wireless Charger Mount”. Found online Jul. 1, 2021 at amazon.com. Reference dated Mar. 24, 2020. Retrieved from https://www.amazon.com/Wireless-Charger-Charging-Compatible-Samsung/dp/B086BQ522Z/ref=psdc_2407761011_t1_B08NG9B1CP. (Year: 2020).*

“Wireless Charging Tray”. Found online Jul. 2, 2021 at g30.bimmerpost.com. Reference dated Jun. 22, 2018. Retrieved from <https://g30.bimmerpost.com/forums/showthread.php?t=1508698>. (Year: 2018).*

“Mixsuper Wireless Car Charger”. Found online Jul. 2, 2021 at amazon.com. Reference dated Jan. 17, 2020. Retrieved from https://www.amazon.com/Mixsuper-Wireless-Charger-Toyota-Charging/dp/B085T2BGXR/ref=psdc_2407761011_t5_B08Q75TW7V. (Year: 2020).*

* cited by examiner

Primary Examiner — George D. Kirschbaum

Assistant Examiner — Amanda Christensen

(57) **CLAIM**

The ornamental design for a wireless charger, as shown and described.

DESCRIPTION

FIG. 1 is a front perspective view of a wireless charger showing my new design;

FIG. 2 is a front elevation view thereof;

FIG. 3 is a rear elevation view thereof;

FIG. 4 is a left side elevation view thereof;

FIG. 5 is a right side elevation view thereof;

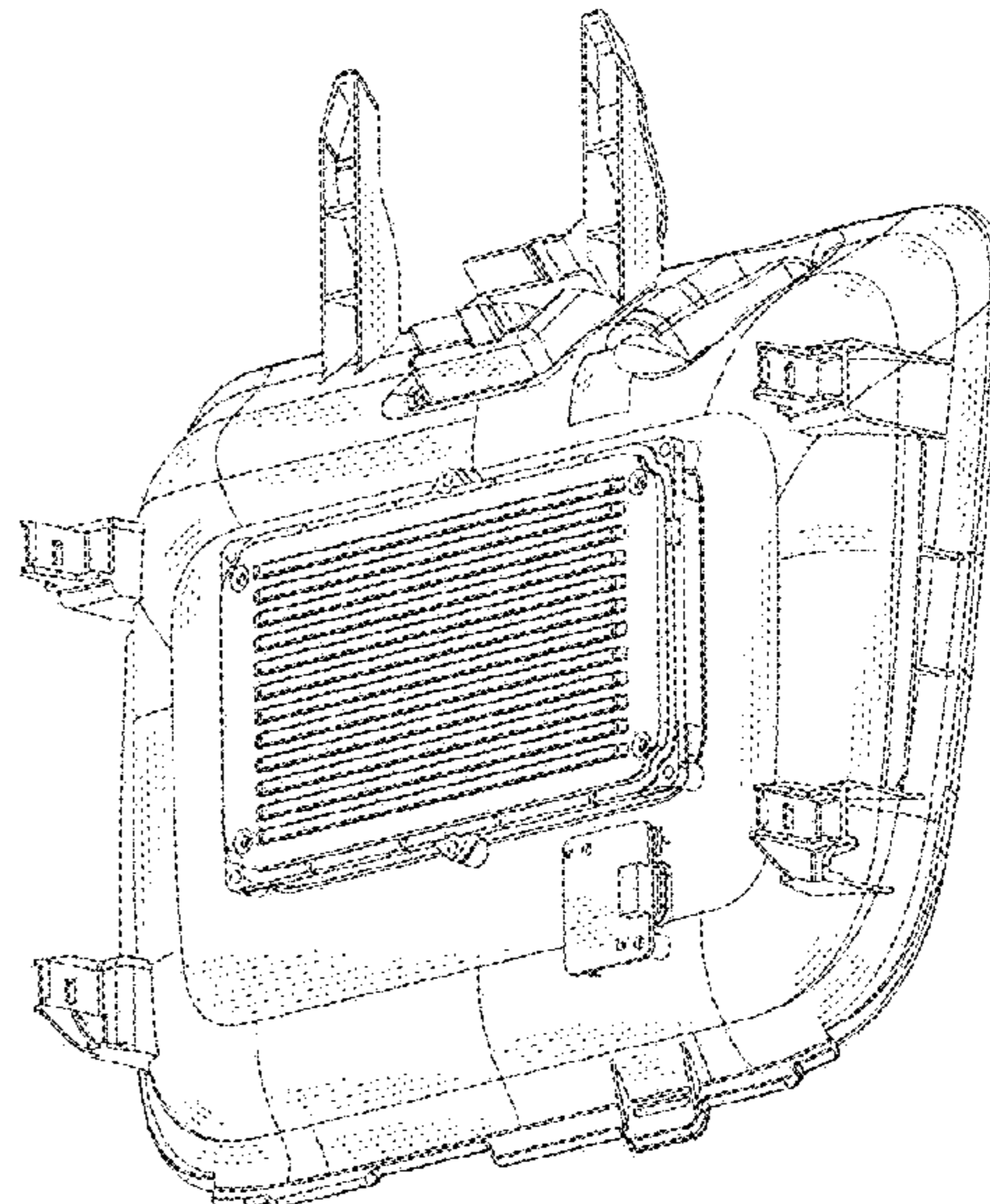
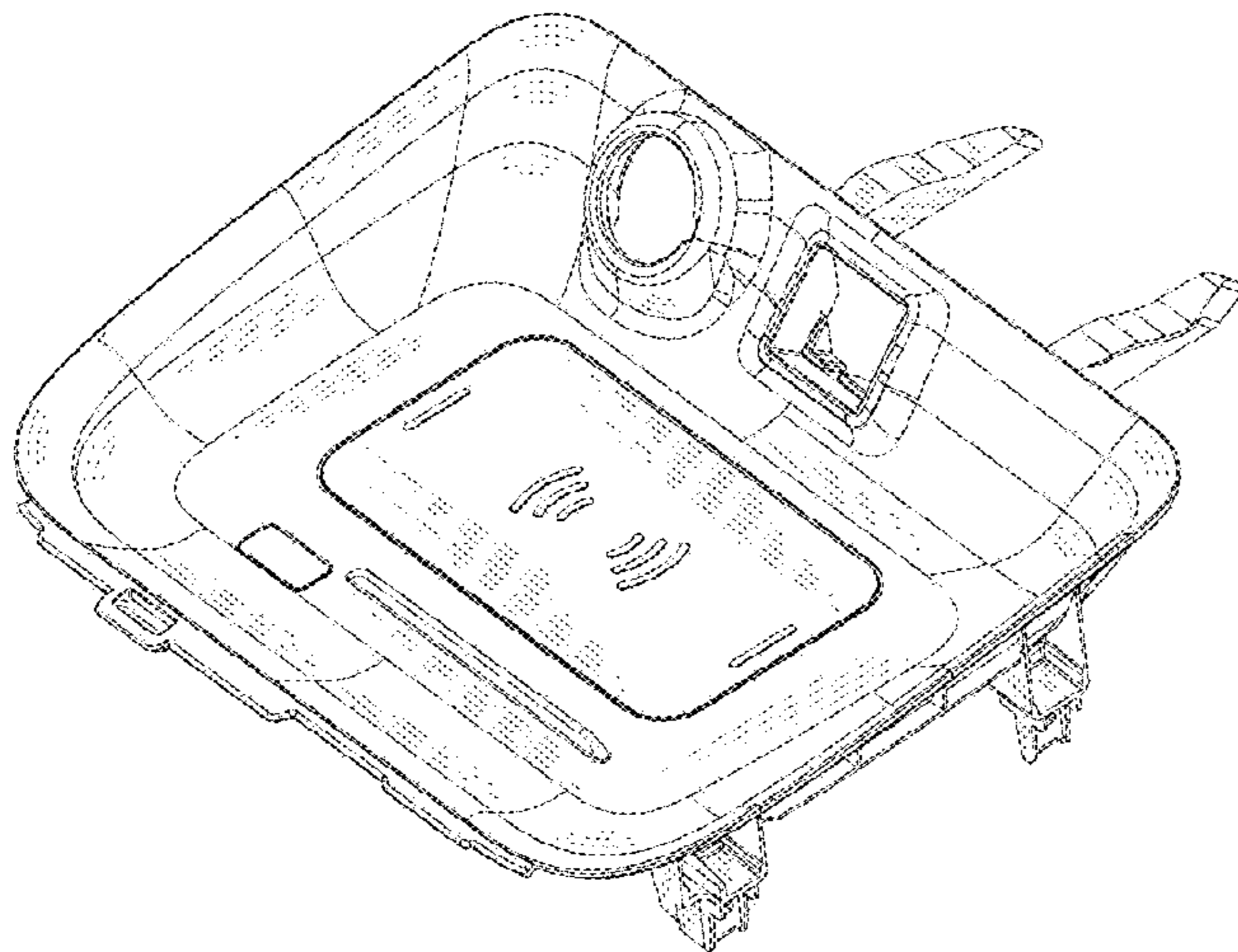
FIG. 6 is a top plan view thereof;

FIG. 7 is a bottom plan view thereof;

FIG. 8 is another front perspective view thereof; and,

FIG. 9 is a rear perspective view thereof.

1 Claim, 9 Drawing Sheets



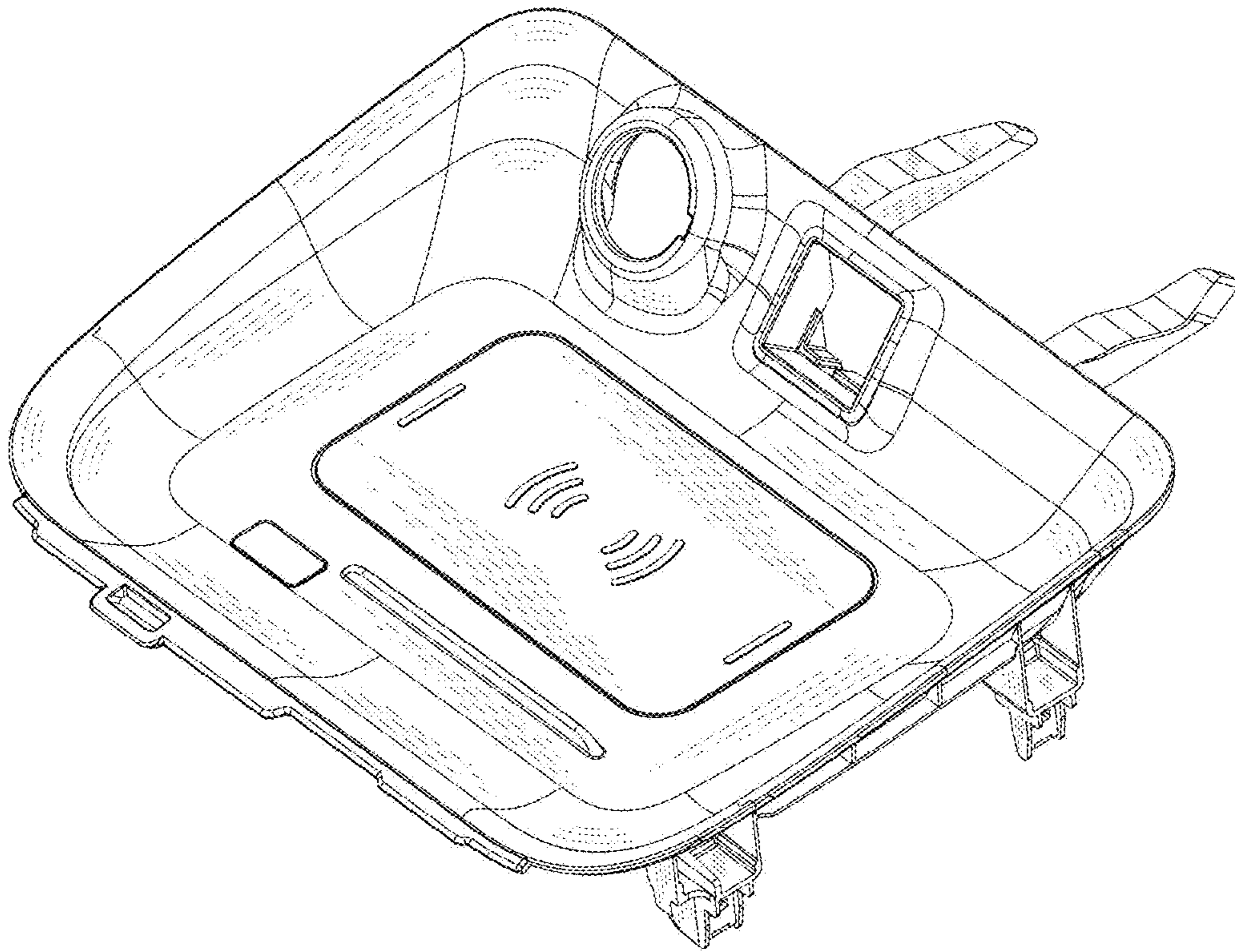


FIG.1

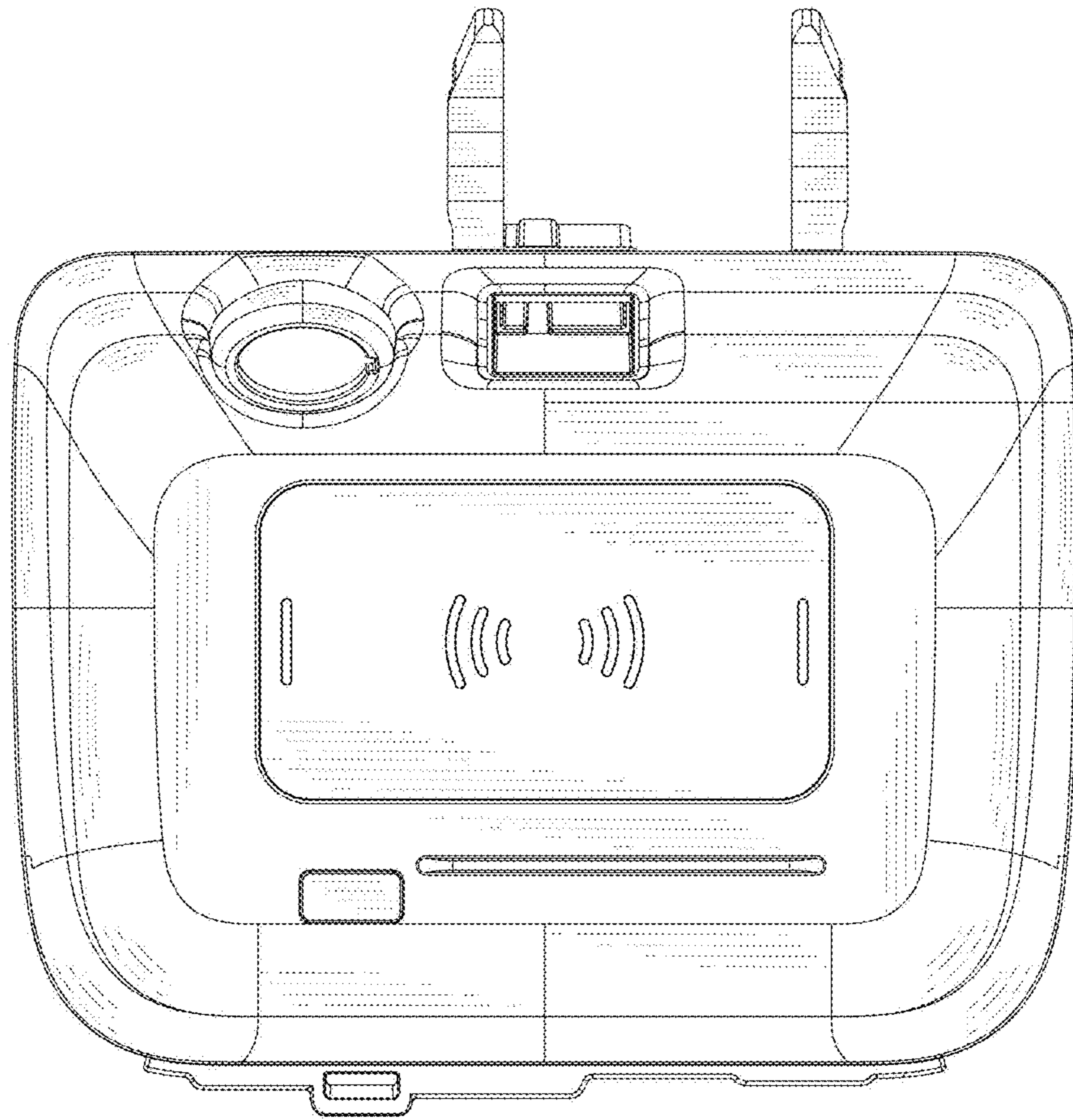


FIG.2

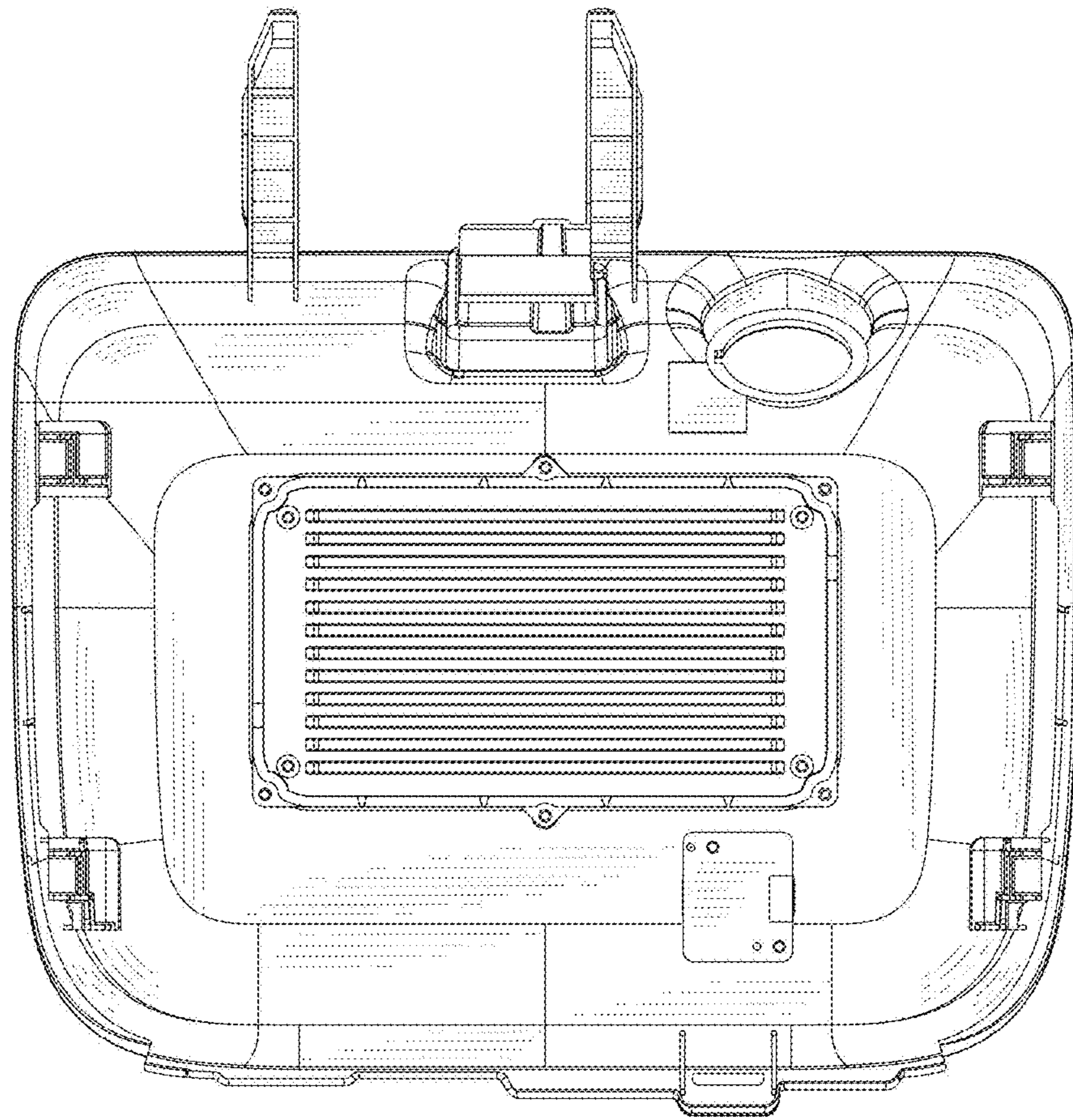


FIG.3

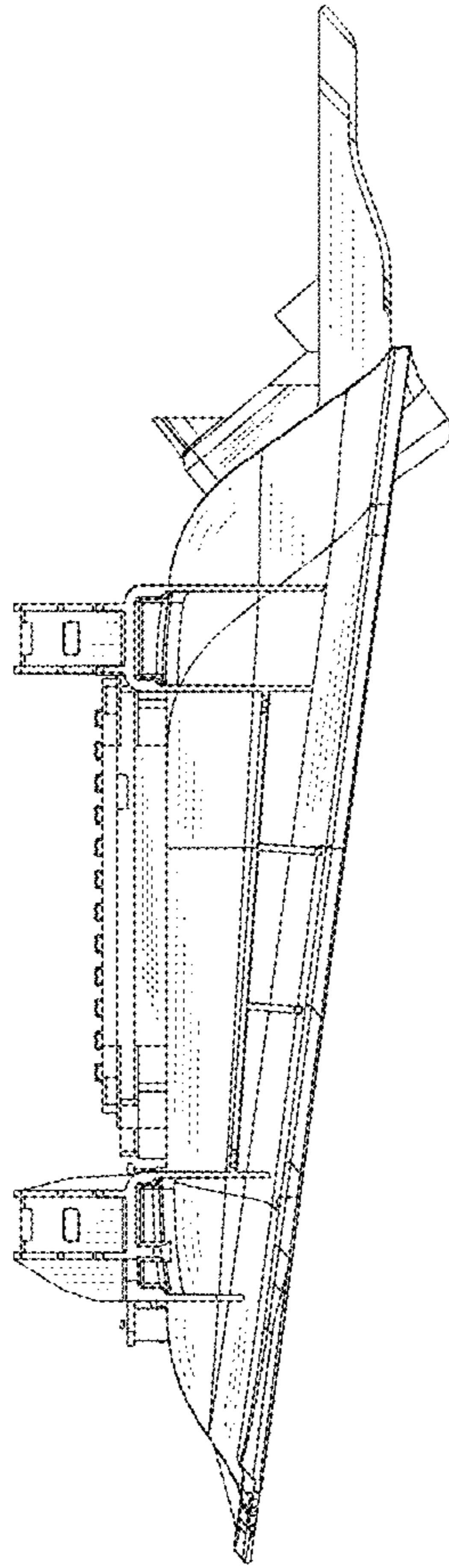


FIG.4

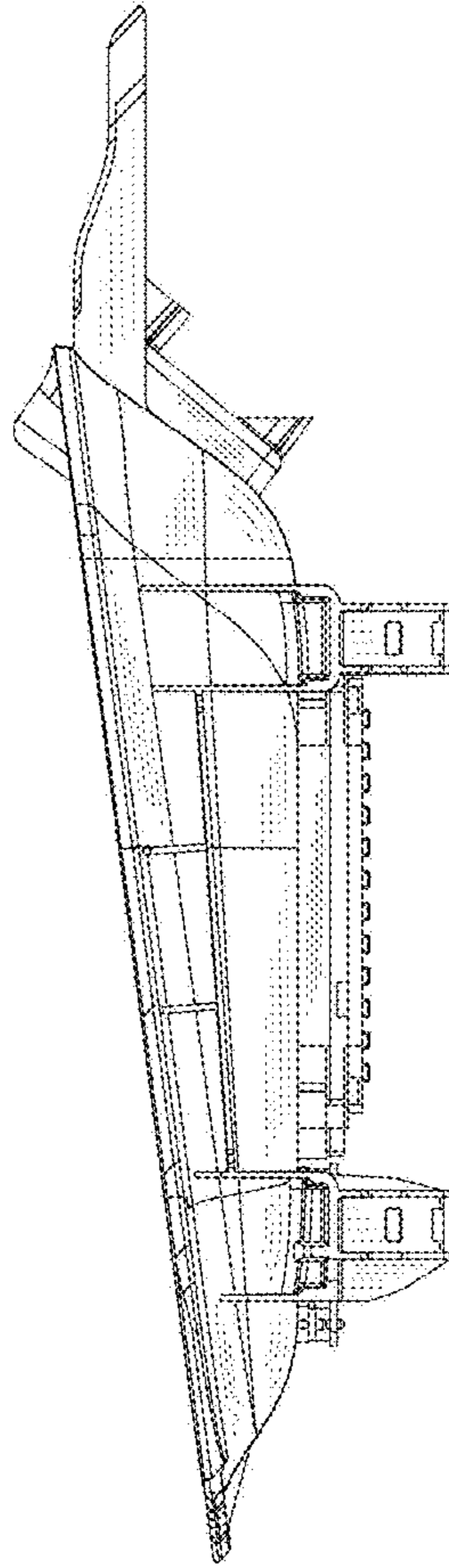


FIG.5

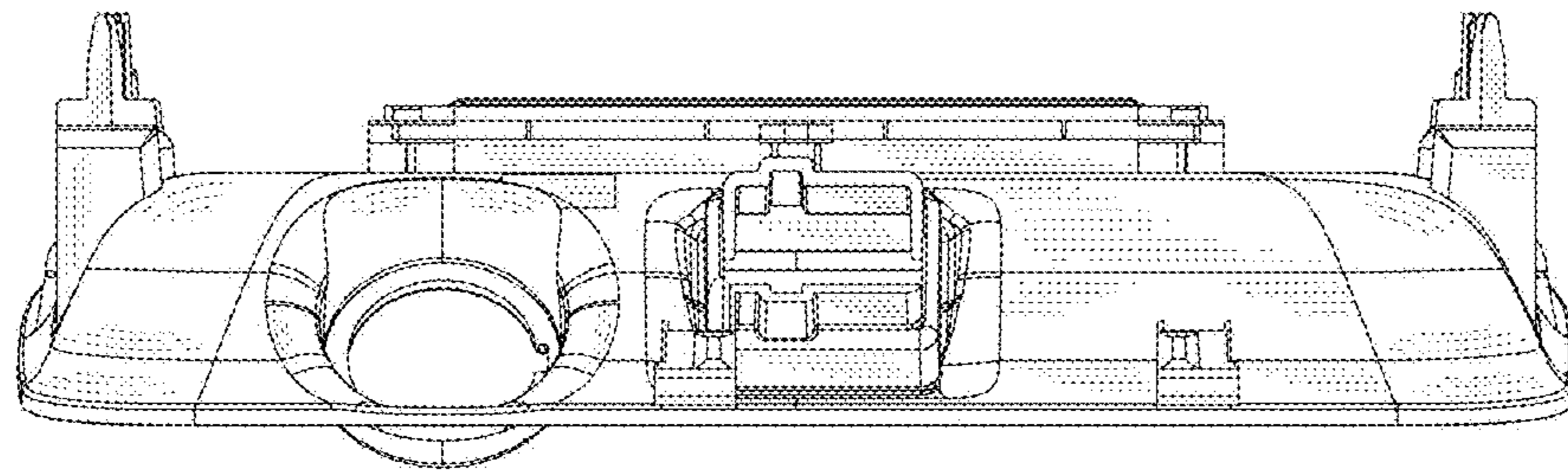


FIG.6

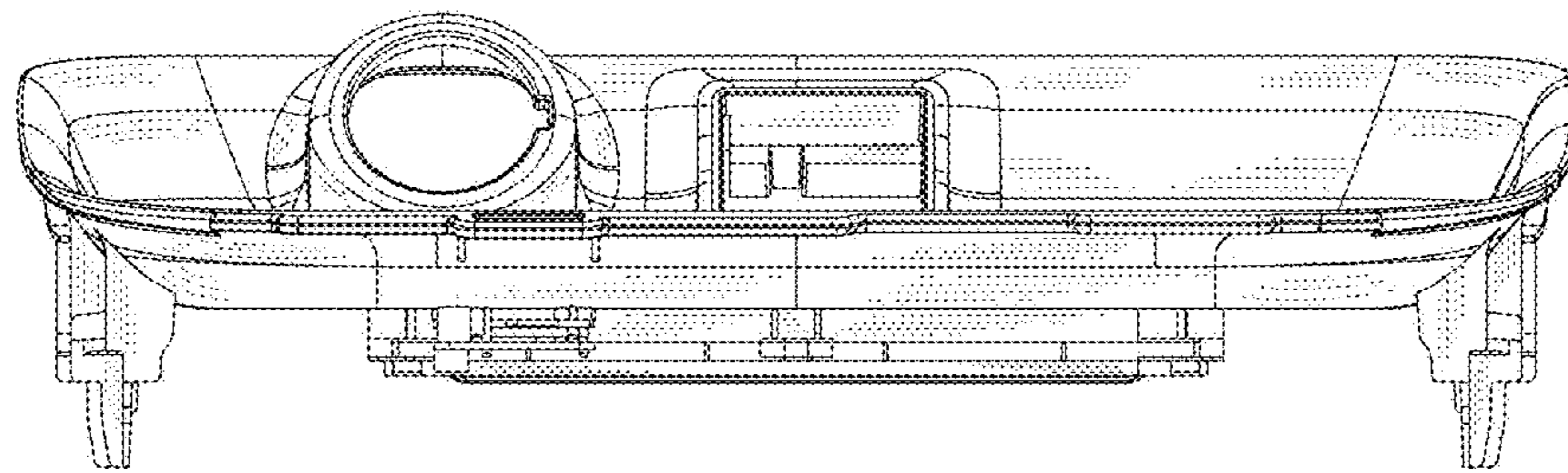


FIG. 7

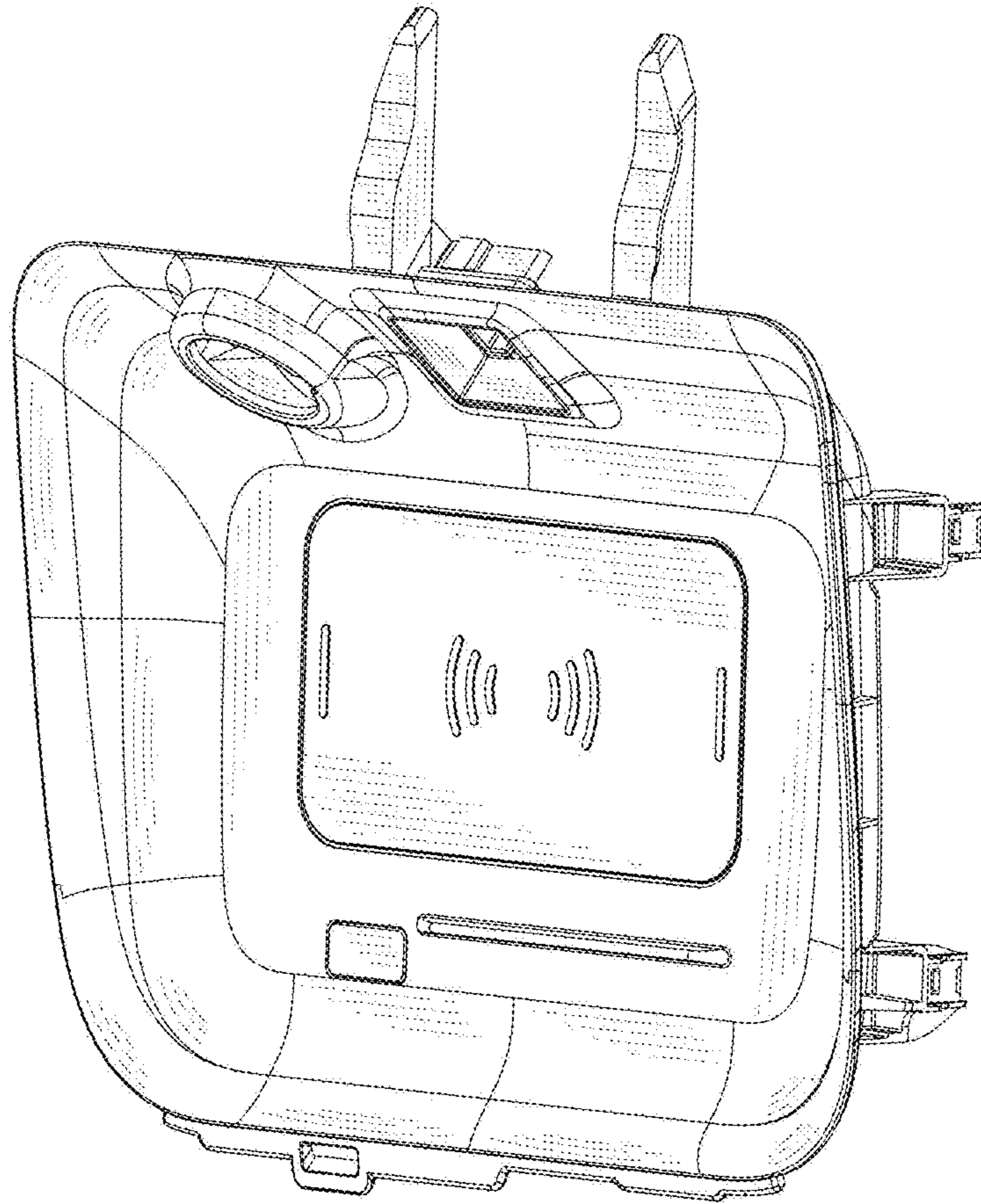


FIG. 8

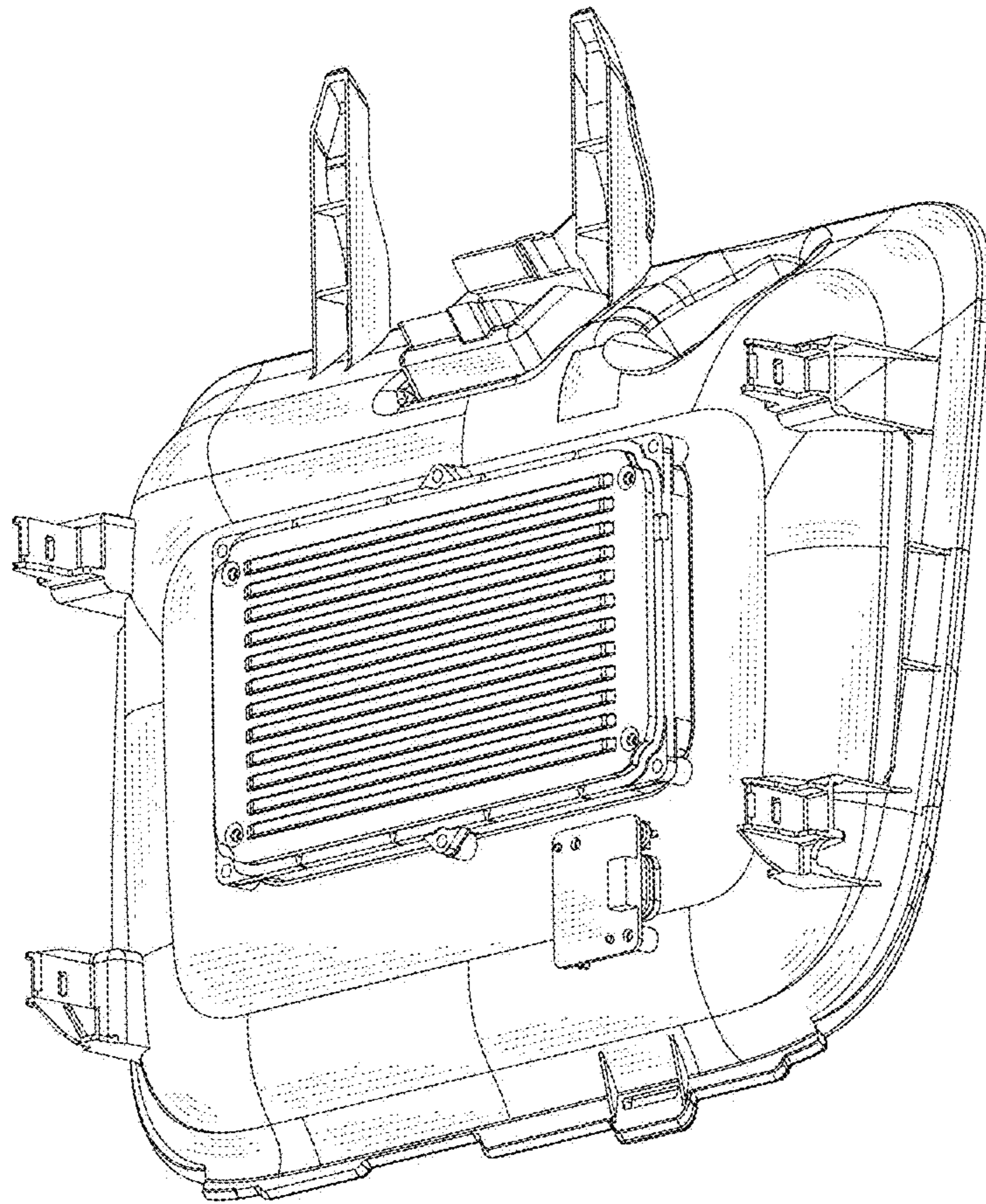


FIG. 9