

US00D936571S

(12) **United States Design Patent**
Long

(10) **Patent No.:** **US D936,571 S**

(45) **Date of Patent:** **** Nov. 23, 2021**

(54) **WIRELESS CHARGING DEVICE WITH ALARM CLOCK**

(71) Applicant: **SHENZHEN SHUO YU TECHNOLOGY CO., LTD.**, Shenzhen (CN)

(72) Inventor: **Yuanyuan Long**, Shenzhen (CN)

(73) Assignee: **SHENZHEN SHUO YU TECHNOLOGY CO., LTD.**, Shenzhen (CN)

(**) Term: **15 Years**

(21) Appl. No.: **29/711,995**

(22) Filed: **Nov. 5, 2019**

(51) **LOC (13) Cl.** **13-02**

(52) **U.S. Cl.**
USPC **D13/108**

(58) **Field of Classification Search**
USPC D13/107, 199, 108, 109, 133, 137.1, D13/137.2, 138.1, 139.1, 146, 184; D14/251, 253, 432, 434
CPC H02J 7/0042; H02J 7/0044; H02J 7/0045; H02J 7/0013; H02J 50/00; H02J 50/10; H02J 50/12; H02J 7/025; H02J 7/005; H02J 7/0026; H02J 7/0003; H02J 50/80; H02J 50/40; H02J 50/402; H02J 50/50
See application file for complete search history.

(56) **References Cited**

U.S. PATENT DOCUMENTS

D327,868 S *	7/1992	Oka	D13/110
D355,887 S *	2/1995	Rodeffer	D13/110
D358,365 S *	5/1995	Rodeffer	D13/110
D415,740 S *	10/1999	Lee	D14/434
D561,186 S *	2/2008	Kawase	D14/434
D627,785 S *	11/2010	Bouthillier	D14/434
D679,712 S *	4/2013	McParland	D14/434

D680,110 S *	4/2013	Rossiter	D14/341
D714,788 S *	10/2014	Haller	D14/434
D847,739 S *	5/2019	Yun	H02J 7/342 D13/108
2017/0358938 A1 *	12/2017	Chen	H02J 7/342
2019/0016476 A1 *	1/2019	Scherz	B64F 1/364

FOREIGN PATENT DOCUMENTS

CN	3198933	*	9/2001
WO	WOD202370-001	*	8/2019

* cited by examiner

Primary Examiner — Rosemary K Tarcza

Assistant Examiner — Seth David Kumpf

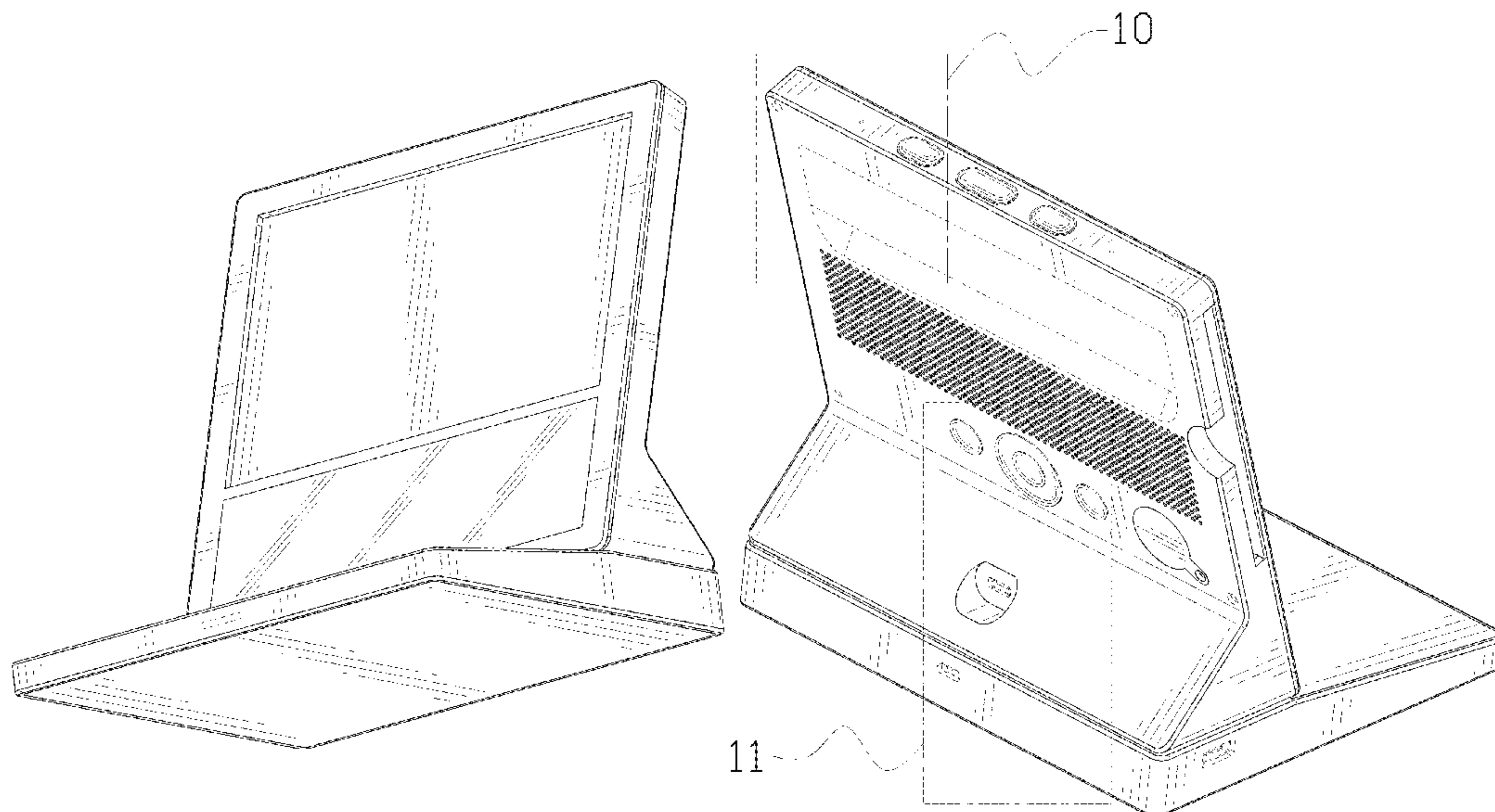
(57) **CLAIM**

The ornamental design for a wireless charging device with alarm clock, as shown and described.

DESCRIPTION

FIG. 1 is a perspective view of a wireless charging device with alarm clock showing my new design;
 FIG. 2 is another perspective thereof;
 FIG. 3 is a front elevational view thereof;
 FIG. 4 is a rear elevational view thereof;
 FIG. 5 is a left side elevational view thereof;
 FIG. 6 is a right side elevational view thereof;
 FIG. 7 is a top plan view thereof;
 FIG. 8 is a bottom plan view thereof;
 FIG. 9 is a perspective view of the wireless charging device with alarm clock where a wireless charging device is separated from an alarm clock;
 FIG. 10 is an enlarged view of portion 10 shown in FIG. 2; and,
 FIG. 11 is an enlarged view of portion 11 shown in FIG. 2.
 The broken lines in the drawings depict portions of the wireless charging device with alarm clock that form no part of the claimed design.

1 Claim, 11 Drawing Sheets



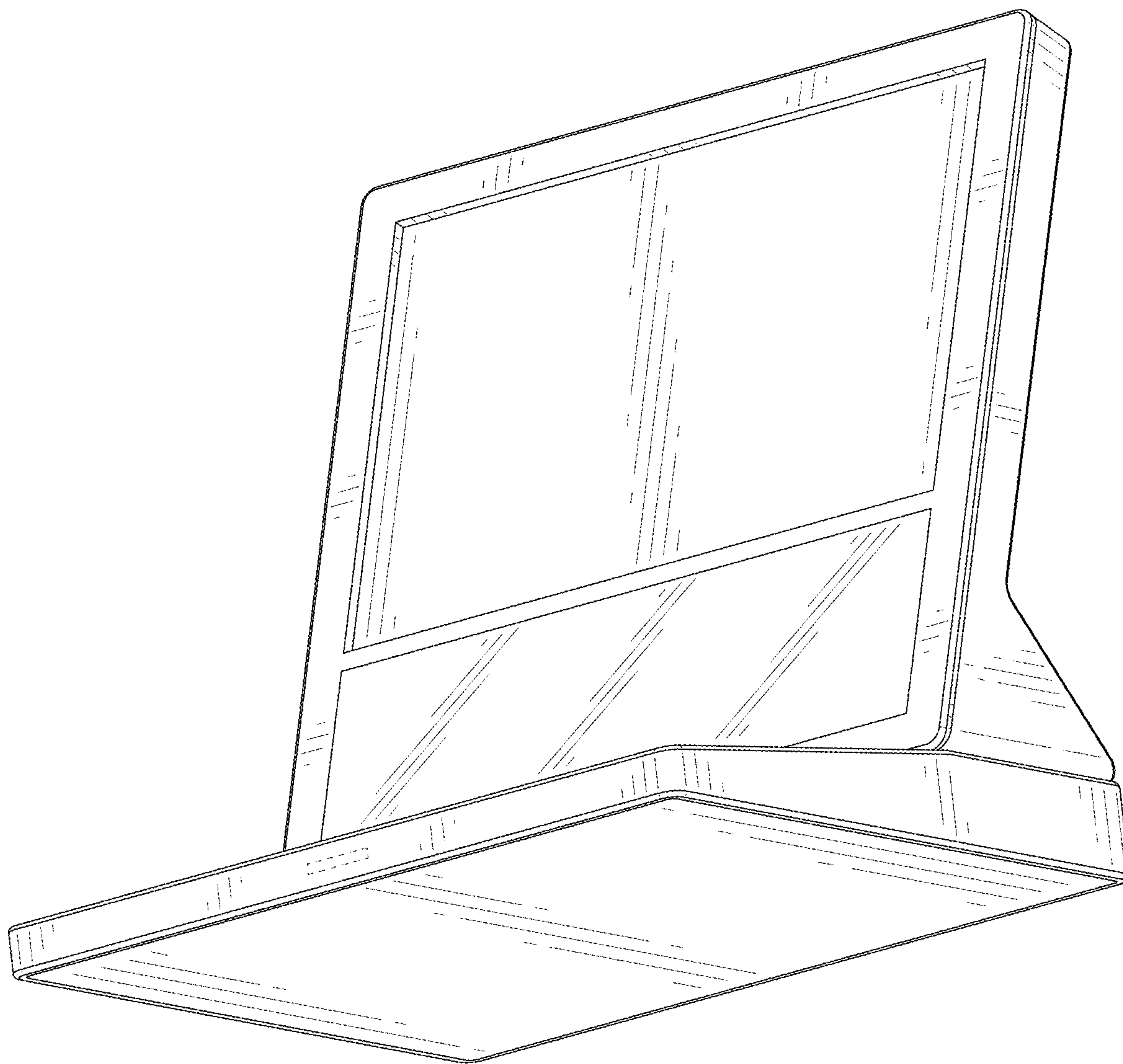


FIG. 1

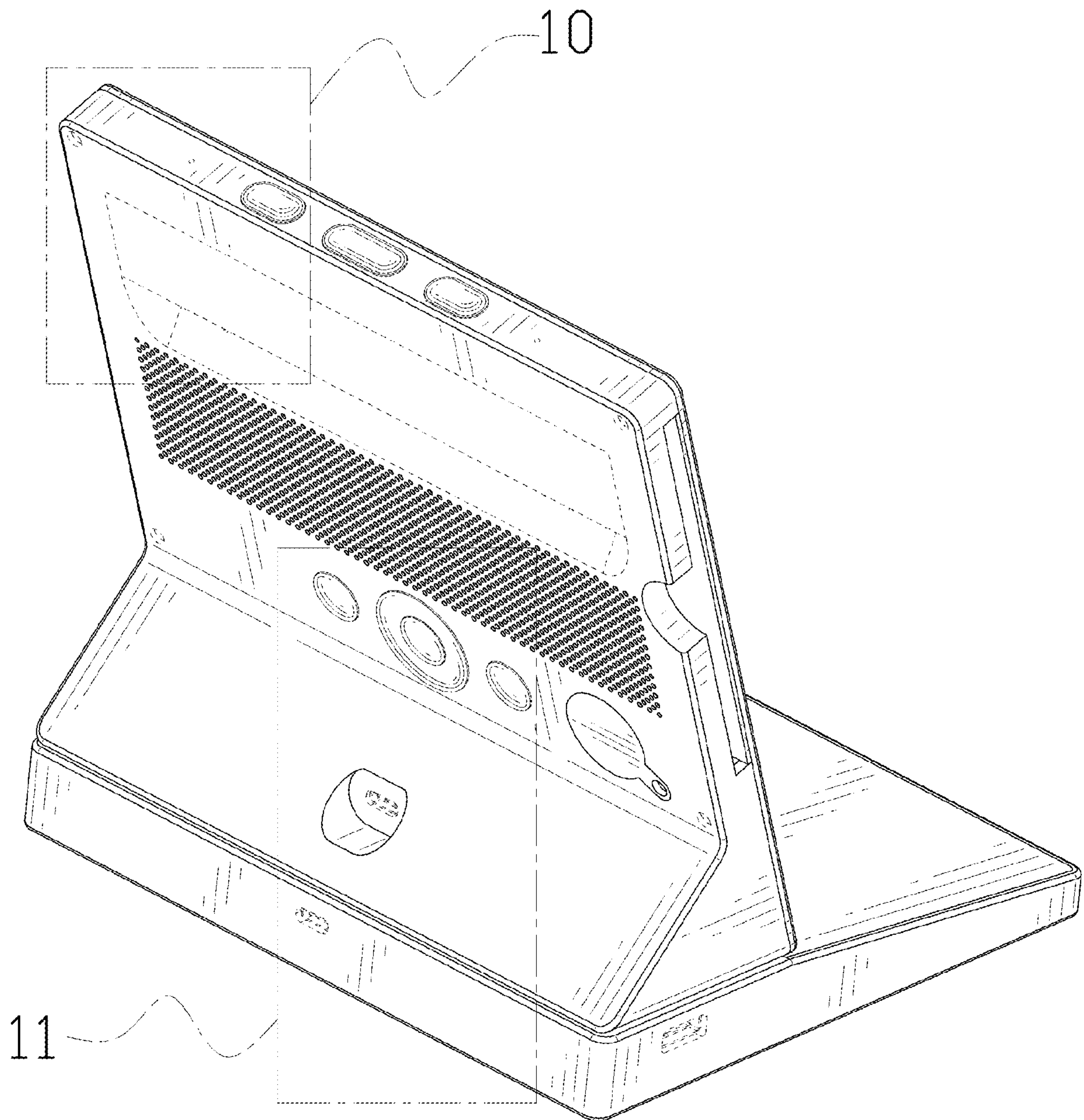


FIG. 2

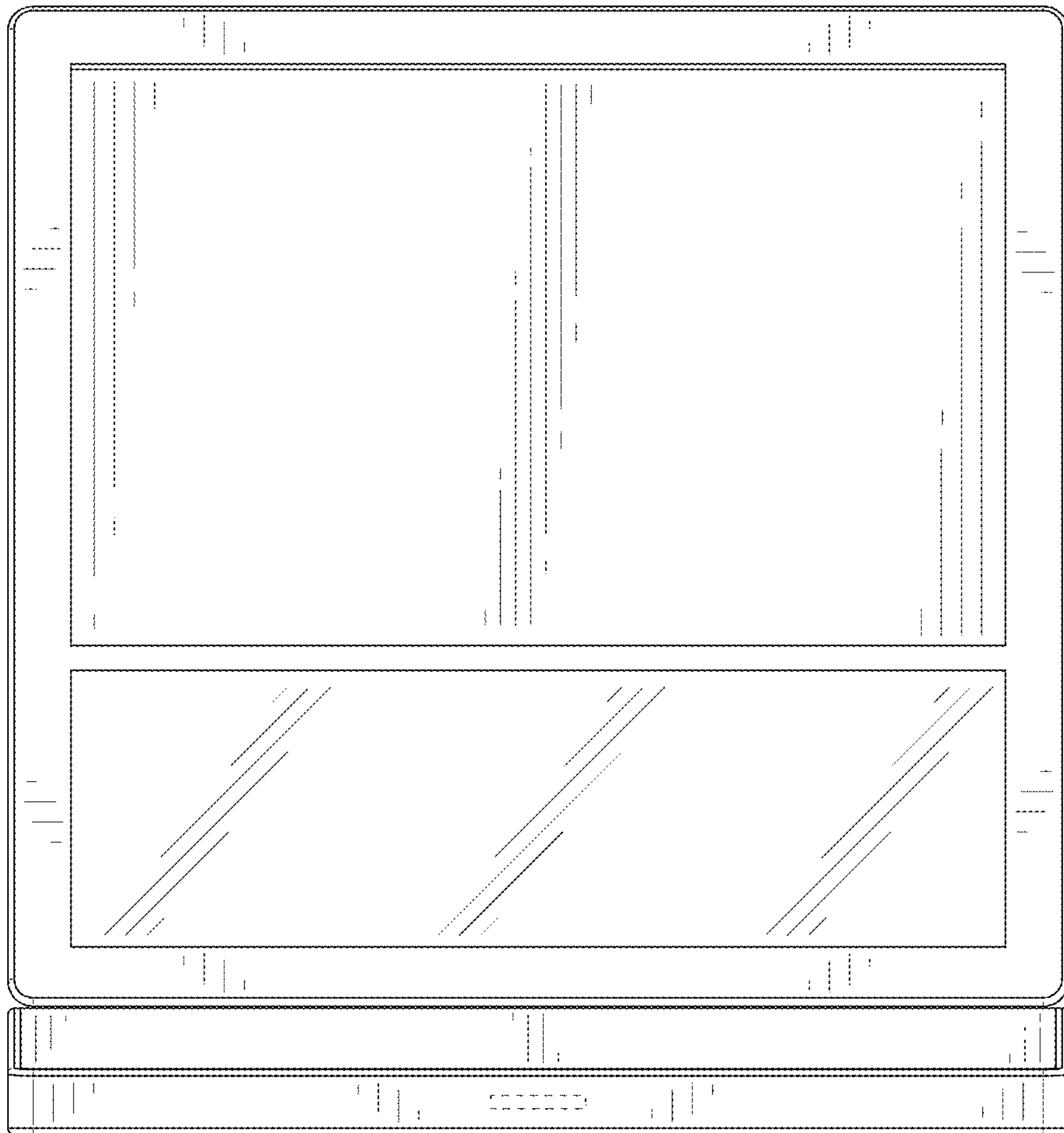


FIG. 3

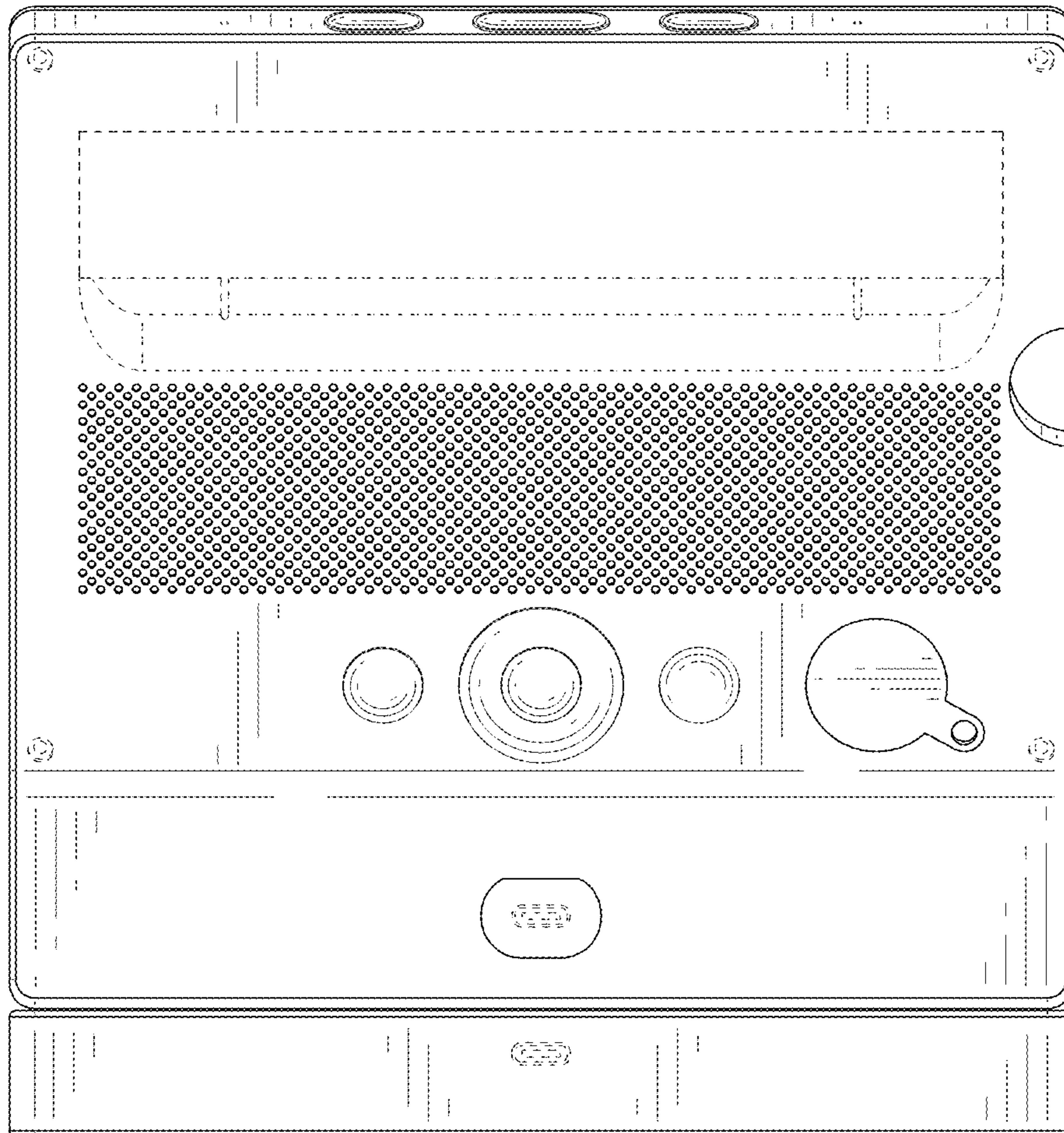


FIG. 4

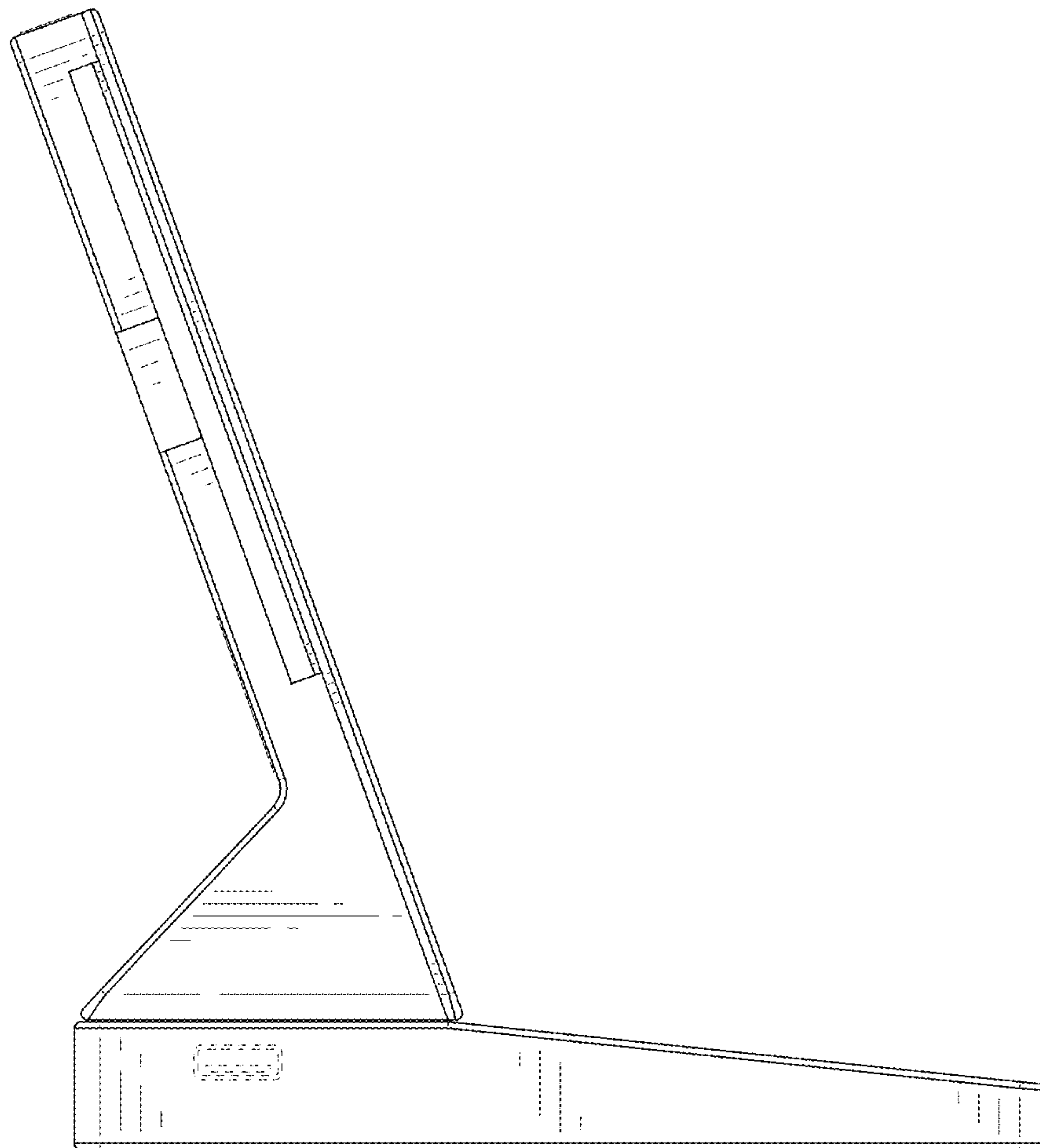


FIG. 5

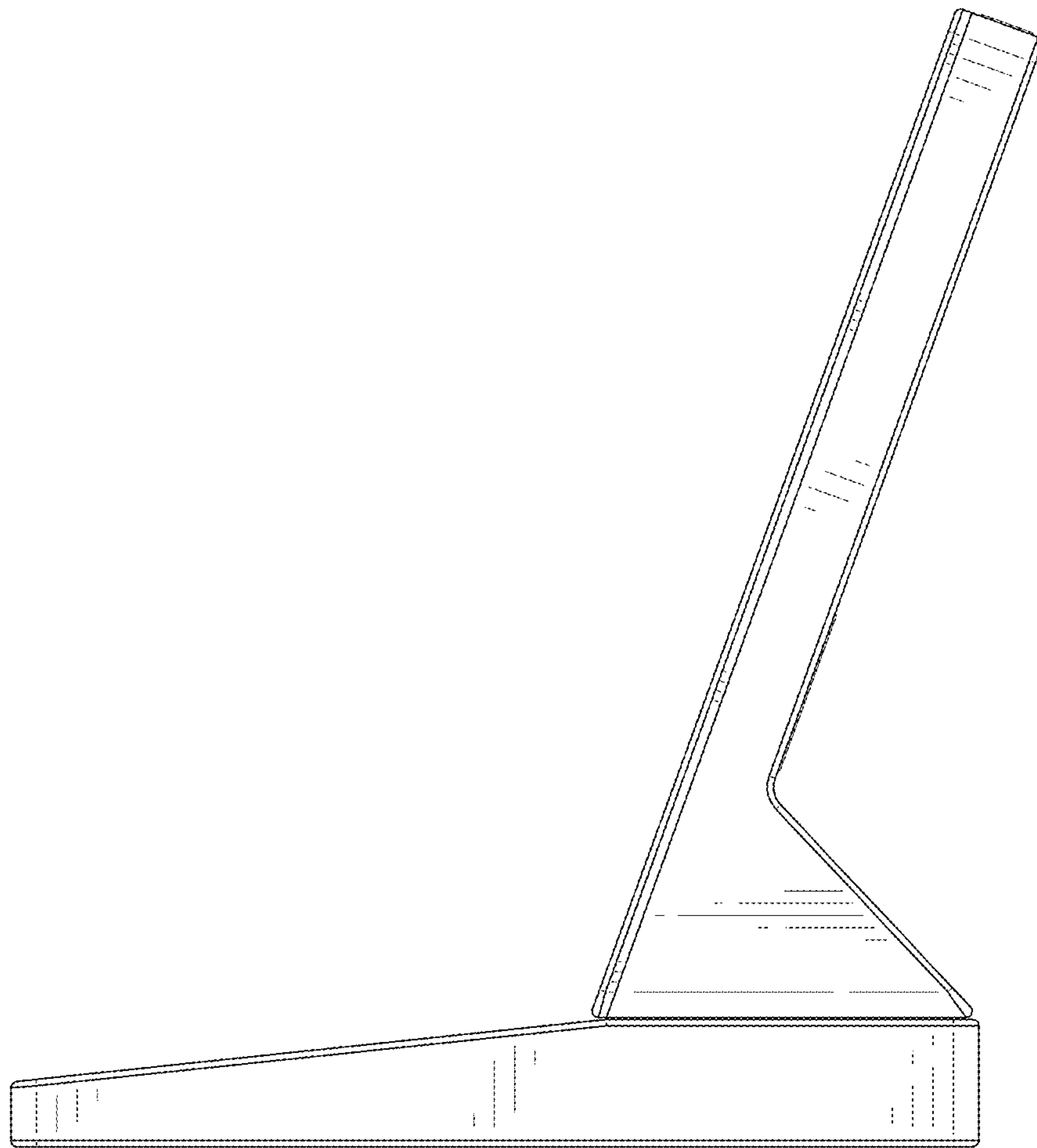


FIG. 6

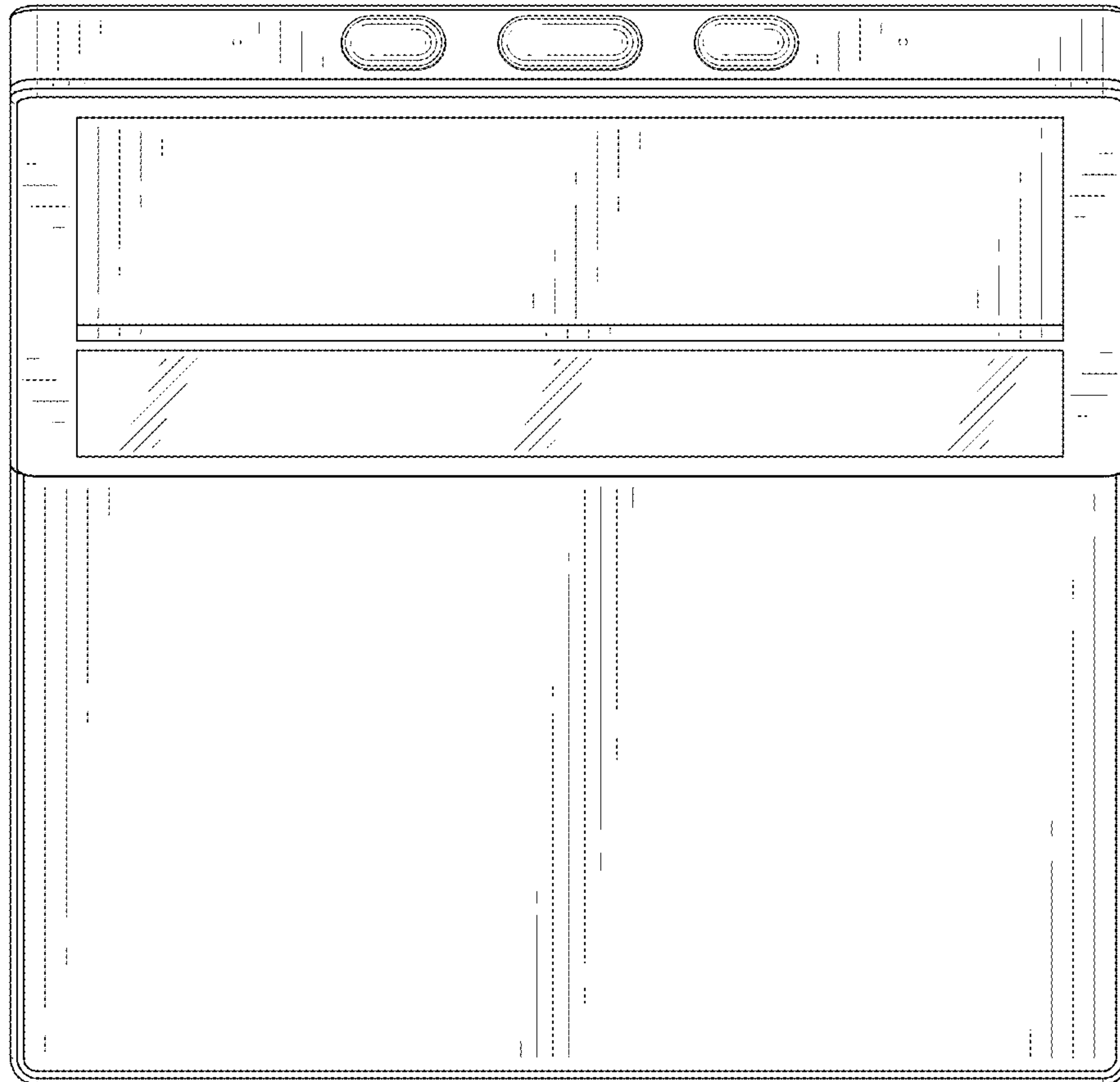


FIG. 7

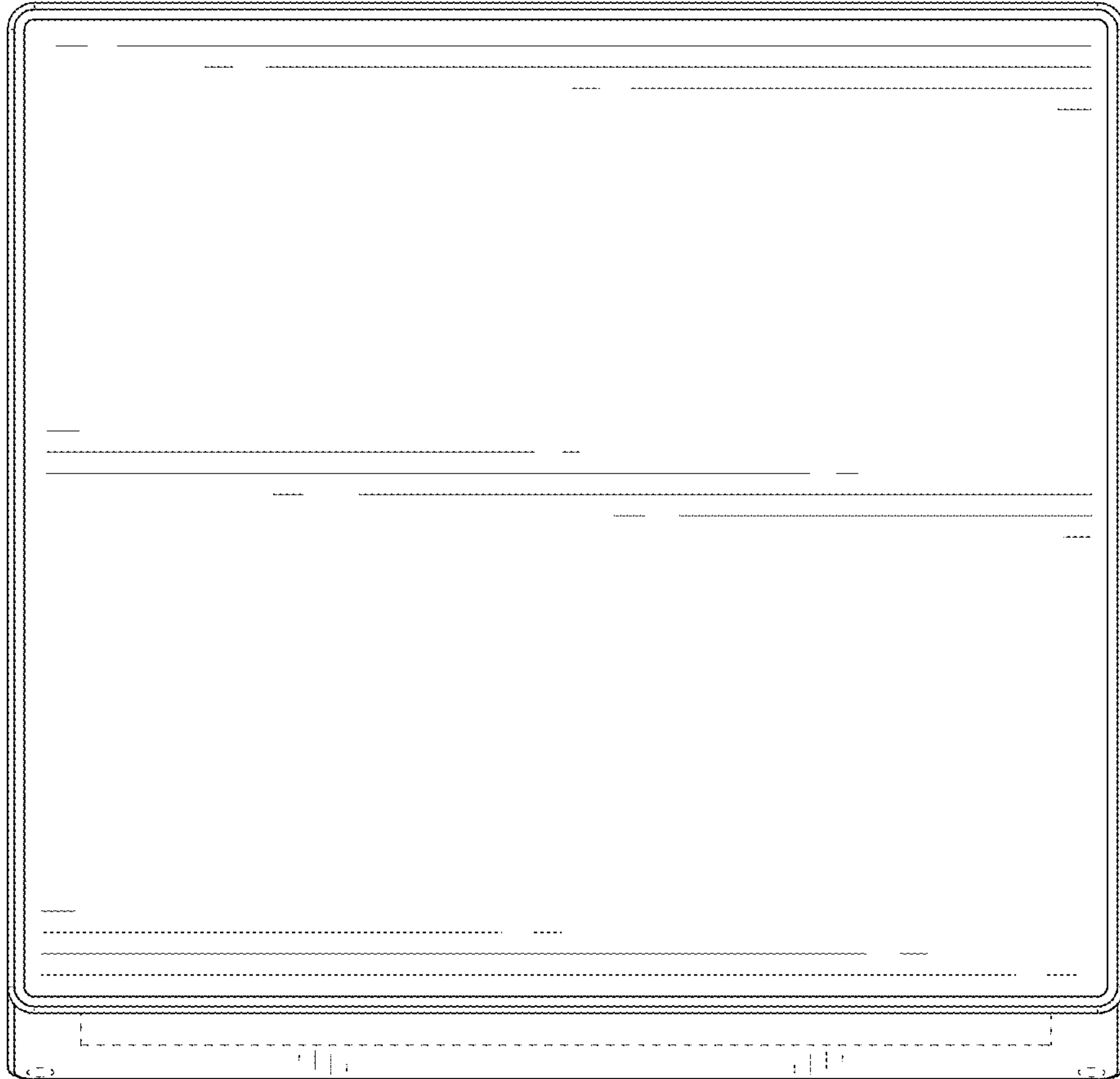


FIG. 8

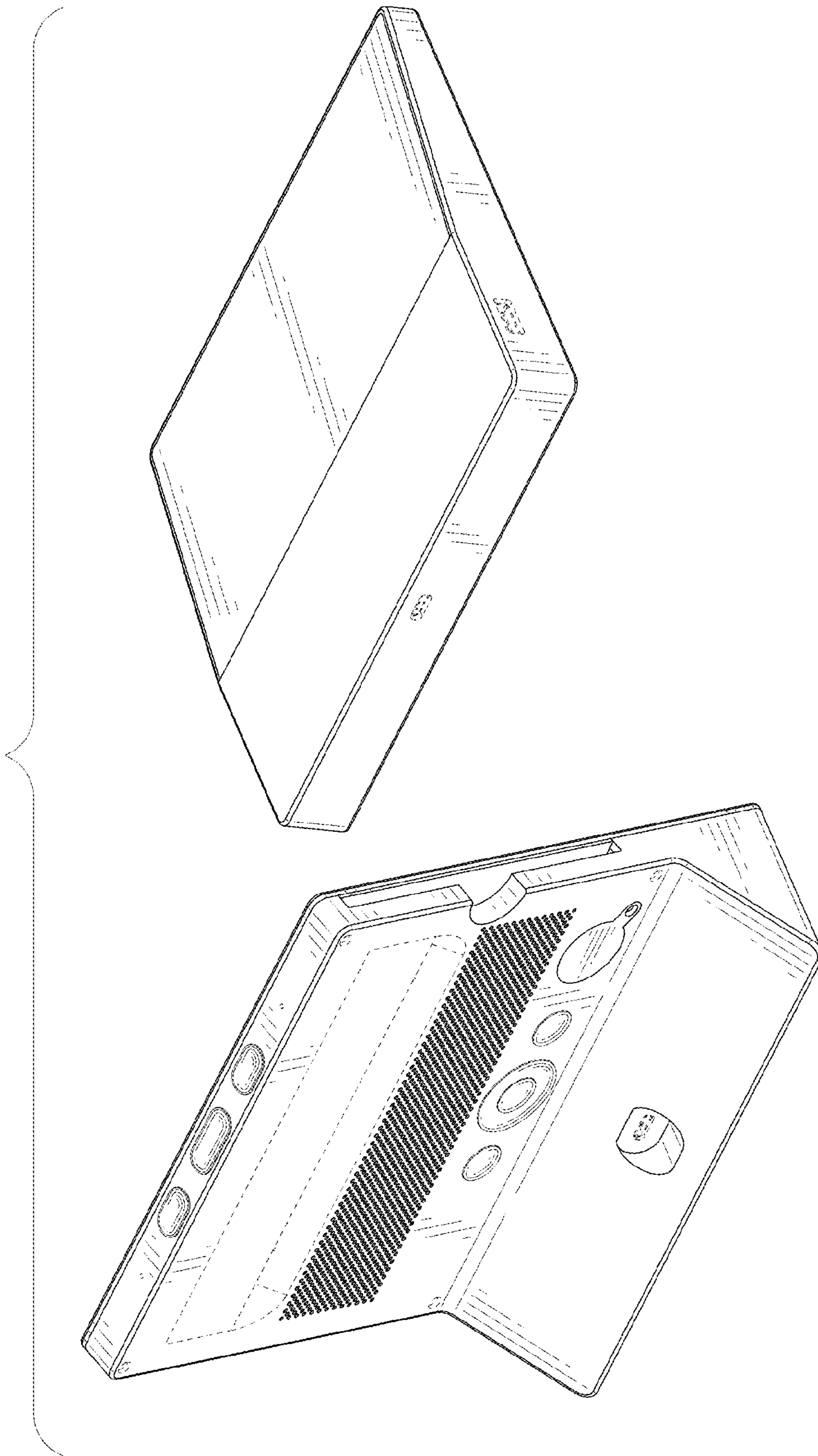


FIG. 9

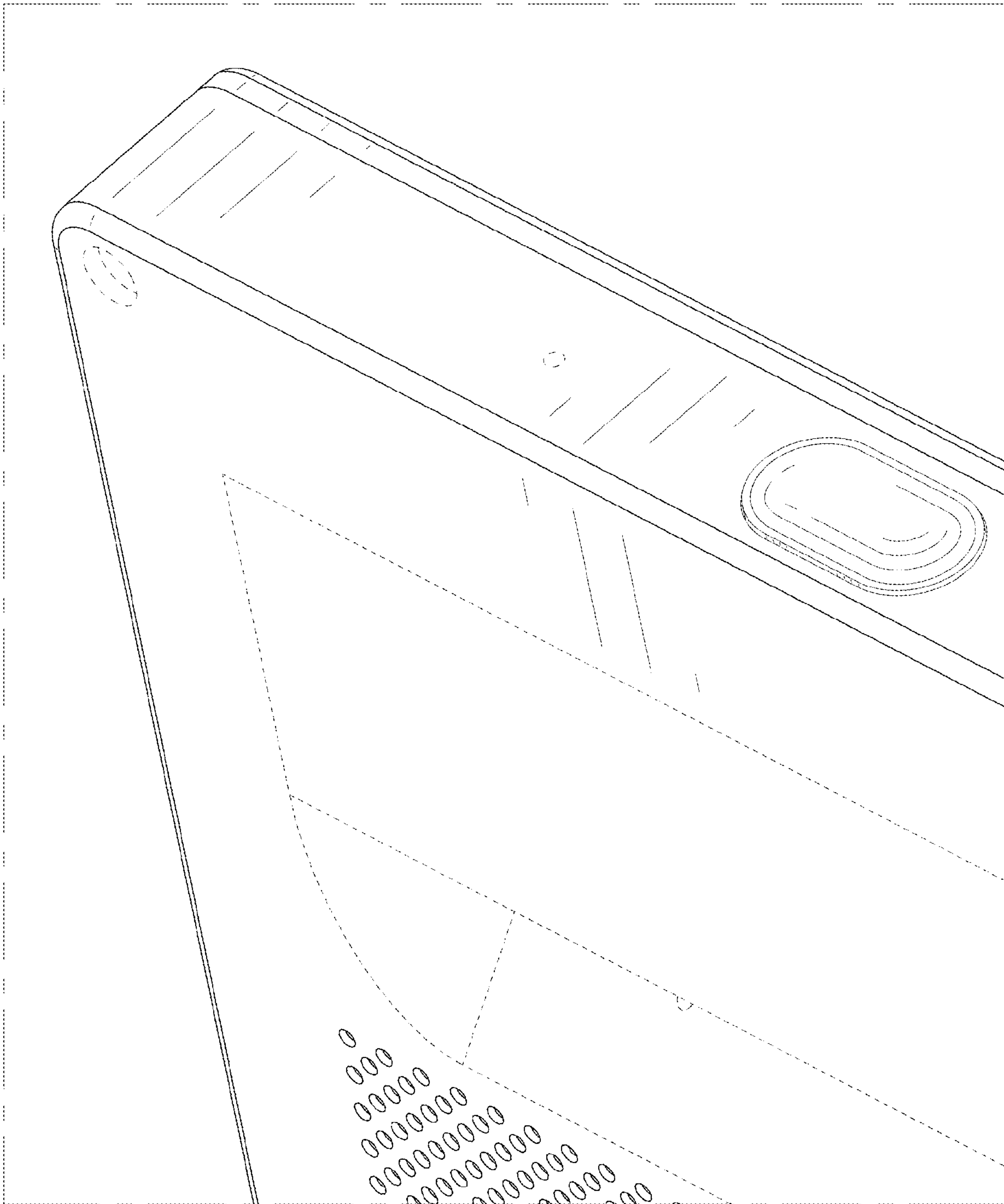


FIG. 10

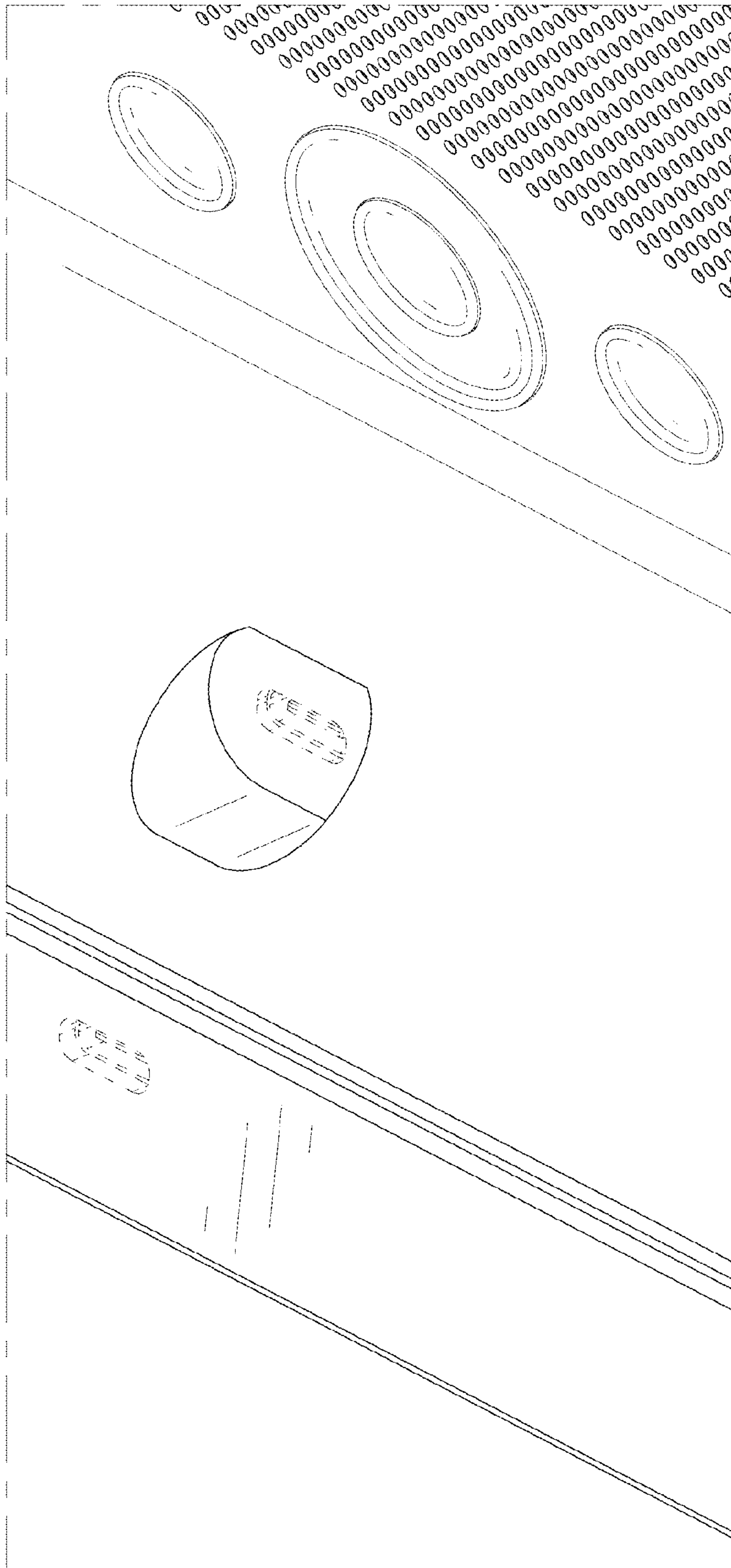


FIG. 11