



US00D936570S

(12) **United States Design Patent**
Sieverding

(10) **Patent No.:** **US D936,570 S**

(45) **Date of Patent:** **** Nov. 23, 2021**

- (54) **ELECTRICAL POWER PACK**
- (71) Applicant: **Software Partner
Datenmedien-Service und Vertriebs
GmbH, Unterhaching (DE)**
- (72) Inventor: **Julian Sieverding, Unterhaching (DE)**
- (73) Assignee: **Software Partner
Datenmedien-Service und Vertriebs
GmbH, Unterhaching (DE)**
- (**) Term: **15 Years**
- (21) Appl. No.: **35/509,890**
- (22) Filed: **Jul. 3, 2020**
- (80) **Hague Agreement Data**
Int. Filing Date: **Jul. 3, 2020**
Int. Reg. No.: **DM/209247**
Int. Reg. Date: **Jul. 3, 2020**
Int. Reg. Pub. Date: **Jul. 24, 2020**

D307,016	S	*	4/1990	Watanabe	D13/108
D342,718	S	*	12/1993	Mackay	D13/108
5,522,943	A	*	6/1996	Spencer	H02S 10/40 136/245
D456,351	S	*	4/2002	Yoneda	D13/108
D466,700	S	*	12/2002	Richmond	D13/108
D486,787	S	*	2/2004	Krieger	D13/108
D565,845	S	*	4/2008	Paulsen	D4/113
D602,499	S	*	10/2009	Lewis	D14/140
D656,930	S	*	4/2012	Son	D14/253
D667,403	S	*	9/2012	Maus	D14/385
D671,092	S	*	11/2012	Hauser	D14/155
D765,082	S	*	8/2016	Allen, Sr.	D14/433
D784,343	S	*	4/2017	Chen	D14/434
D808,901	S	*	1/2018	Kelly	D13/107
D841,006	S	*	2/2019	Allen, Sr.	D14/433
D844,006	S	*	3/2019	Molnar	D14/434
D859,415	S	*	9/2019	Liao	D14/434
D864,575	S	*	10/2019	Meng	D4/101
D872,078	S	*	1/2020	Wu	D14/358
D873,272	S	*	1/2020	Dang	D14/447
D879,034	S	*	3/2020	Wu	D13/108
D883,202	S	*	5/2020	Edwards	D13/108
D884,712	S	*	5/2020	Lee	D14/458
D895,296	S	*	9/2020	Hu	D4/101

(Continued)

Primary Examiner — Rhea Shields
(74) Attorney, Agent, or Firm — Michael Soderman

- (30) **Foreign Application Priority Data**
Feb. 21, 2020 (EM) EM007709191
- (51) **LOC (13) Cl.** **13-02**
- (52) **U.S. Cl.**
USPC **D13/107**
- (58) **Field of Classification Search**
USPC D13/107, 108; D14/358, 433, 385, 447,
D14/434, 458, 155, 253, 140; D4/101,
D4/113
CPC H02S 10/40; A46B 9/02
See application file for complete search history.

(57) **CLAIM**

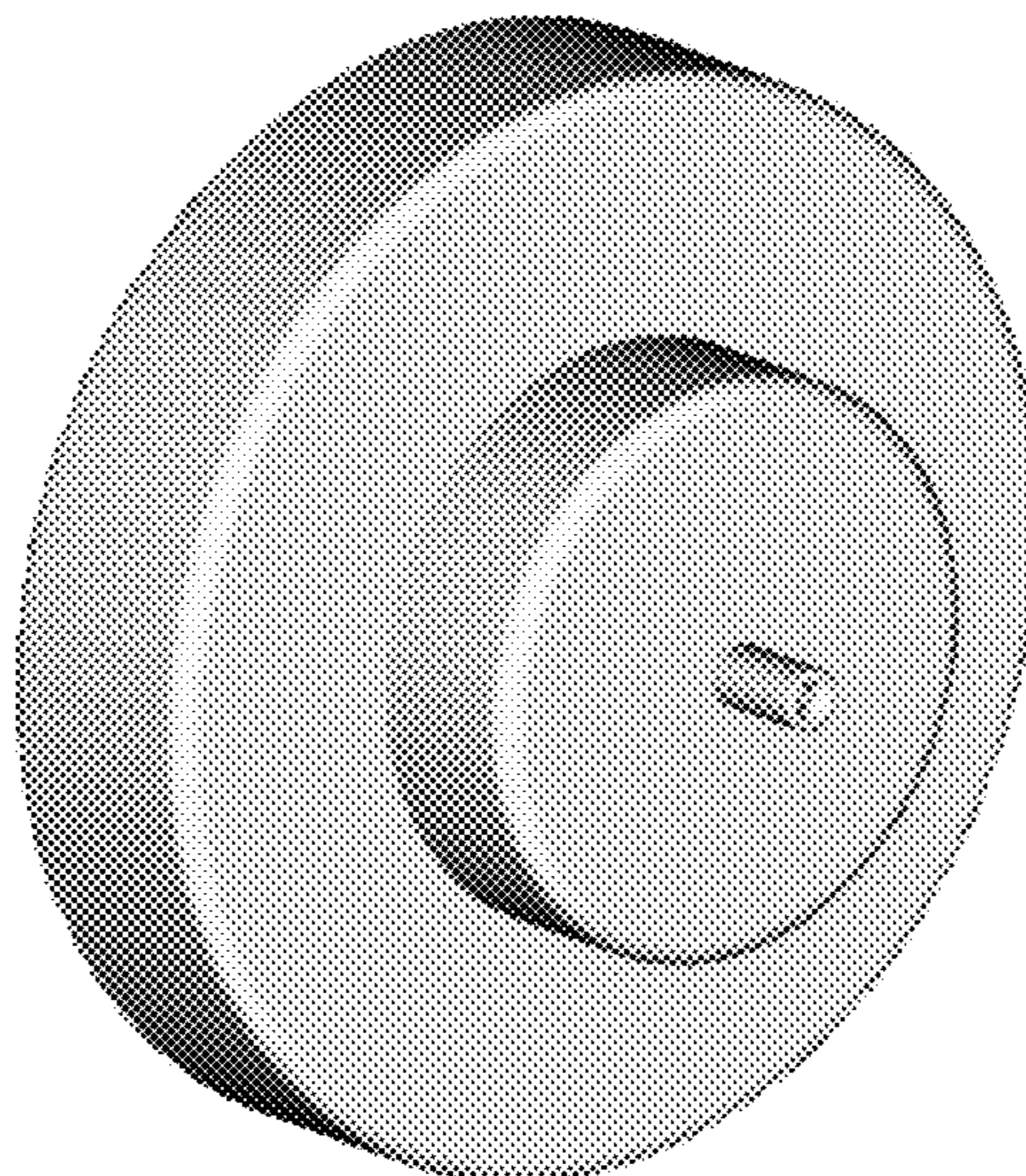
The ornamental design for an electrical power pack, as shown and described.

DESCRIPTION

FIG. 2.1 is a perspective view;
FIG. 2.2 is a side view;
FIG. 2.3 is a top view;
FIG. 2.4 is a side view;
FIG. 2.5 is a bottom view;
FIG. 2.6 is a front view and
FIG. 2.7 is a rear view.

- (56) **References Cited**
U.S. PATENT DOCUMENTS
D216,292 S * 12/1969 DeVarco D13/108
4,813,091 A * 3/1989 Glasener A46B 9/02
15/104.04

1 Claim, 7 Drawing Sheets



(56)

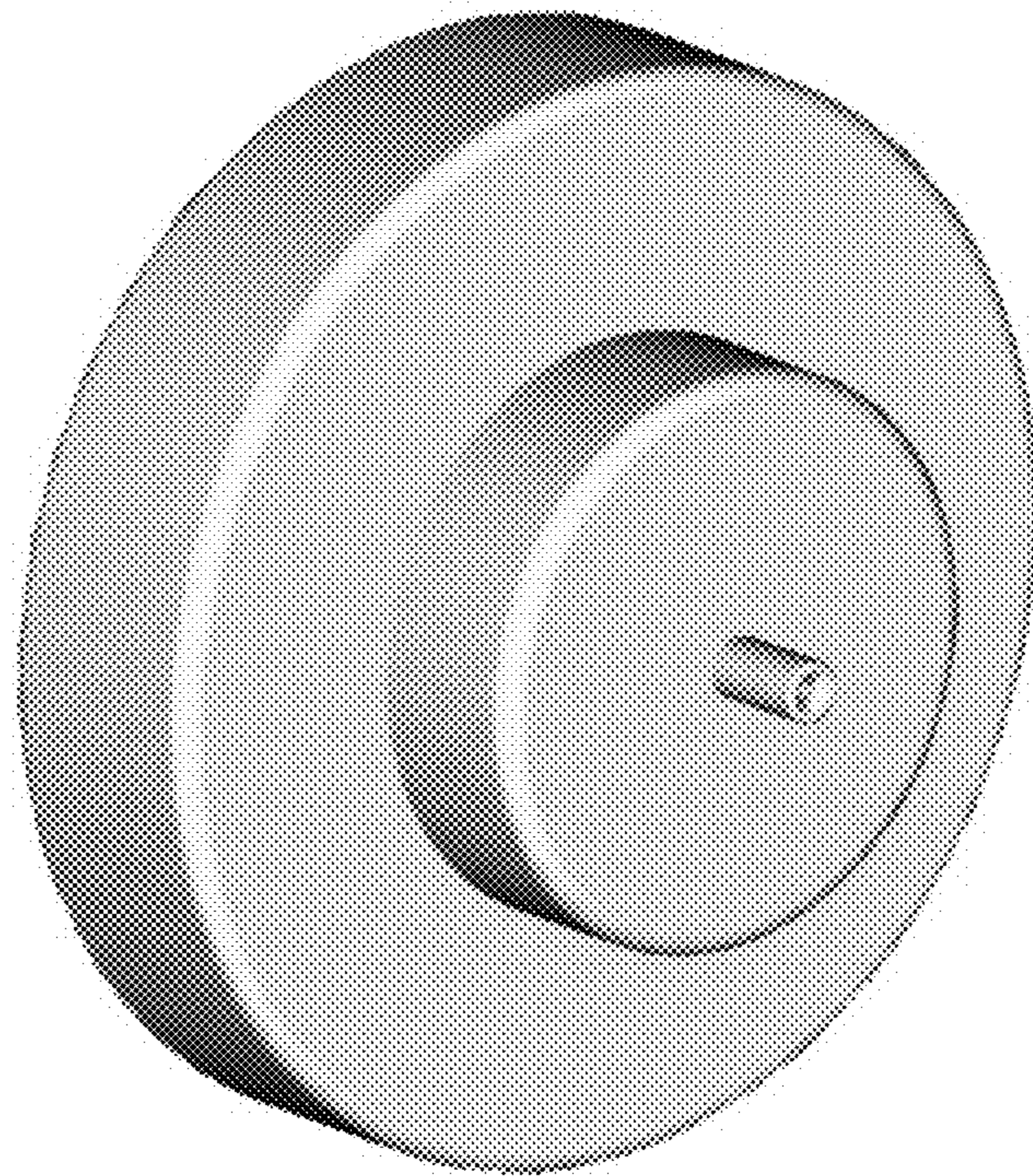
References Cited

U.S. PATENT DOCUMENTS

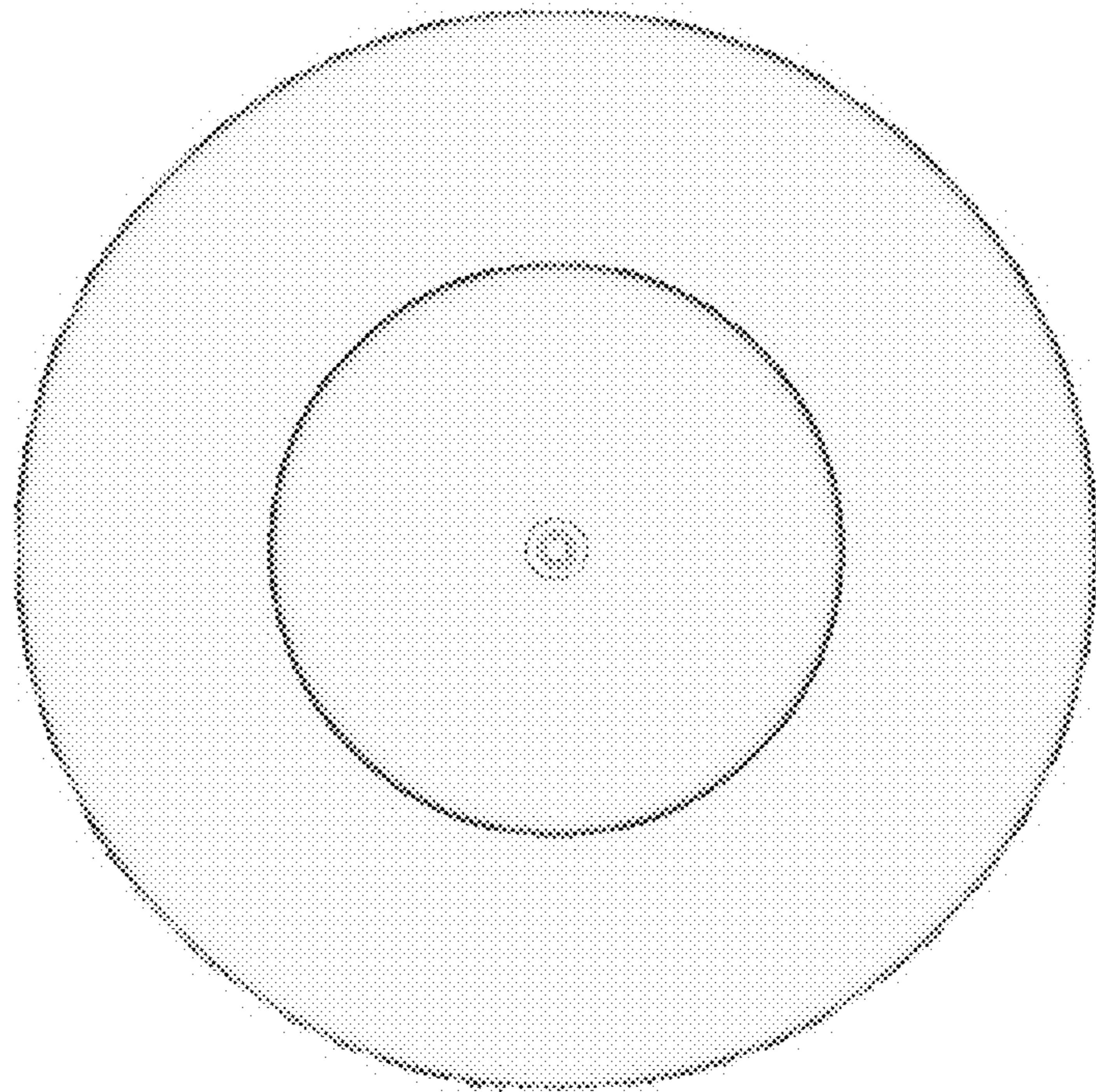
D916,656 S * 4/2021 Choe D13/108
D921,584 S * 6/2021 Bournique D13/108

* cited by examiner

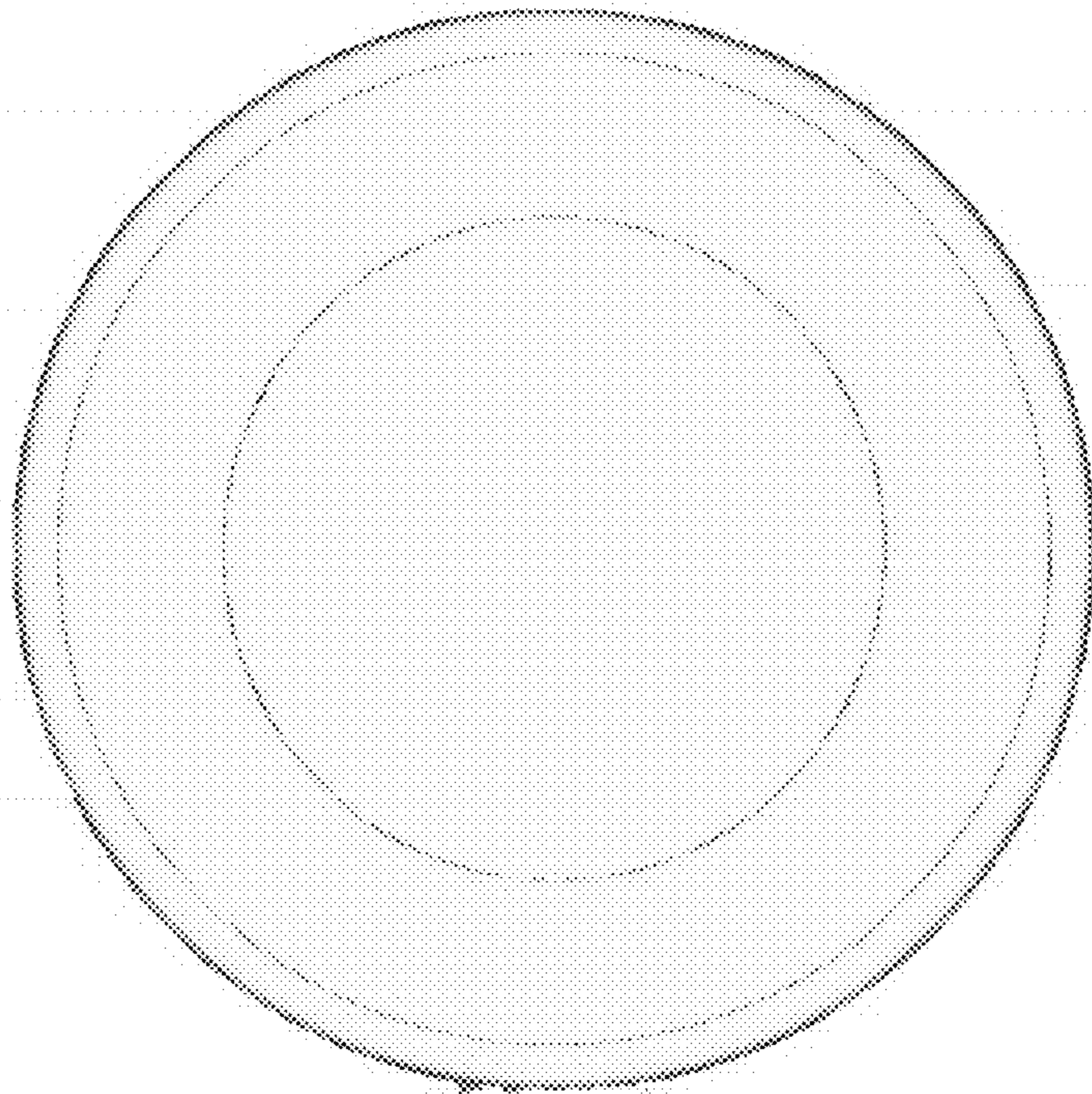
2.1



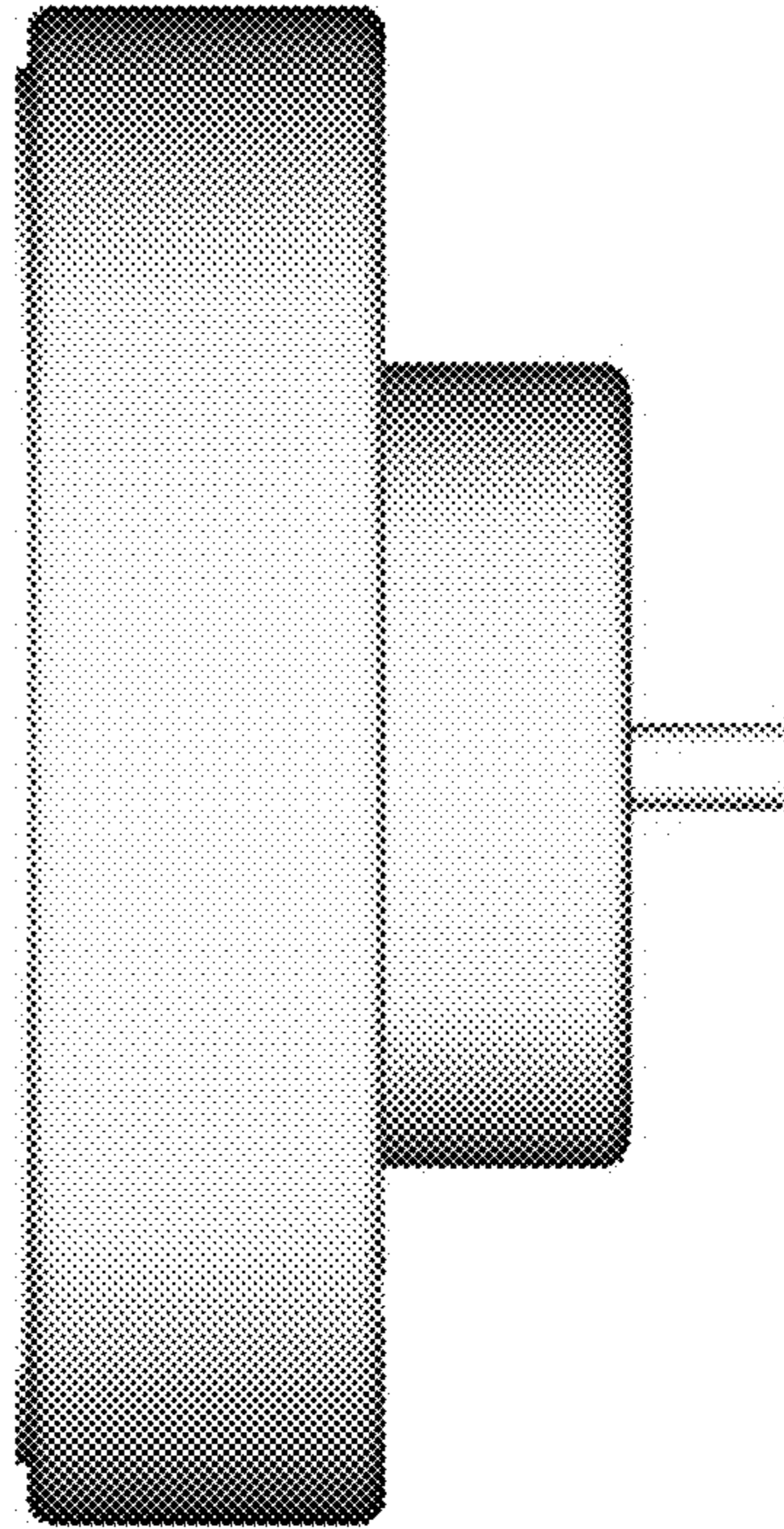
2.2



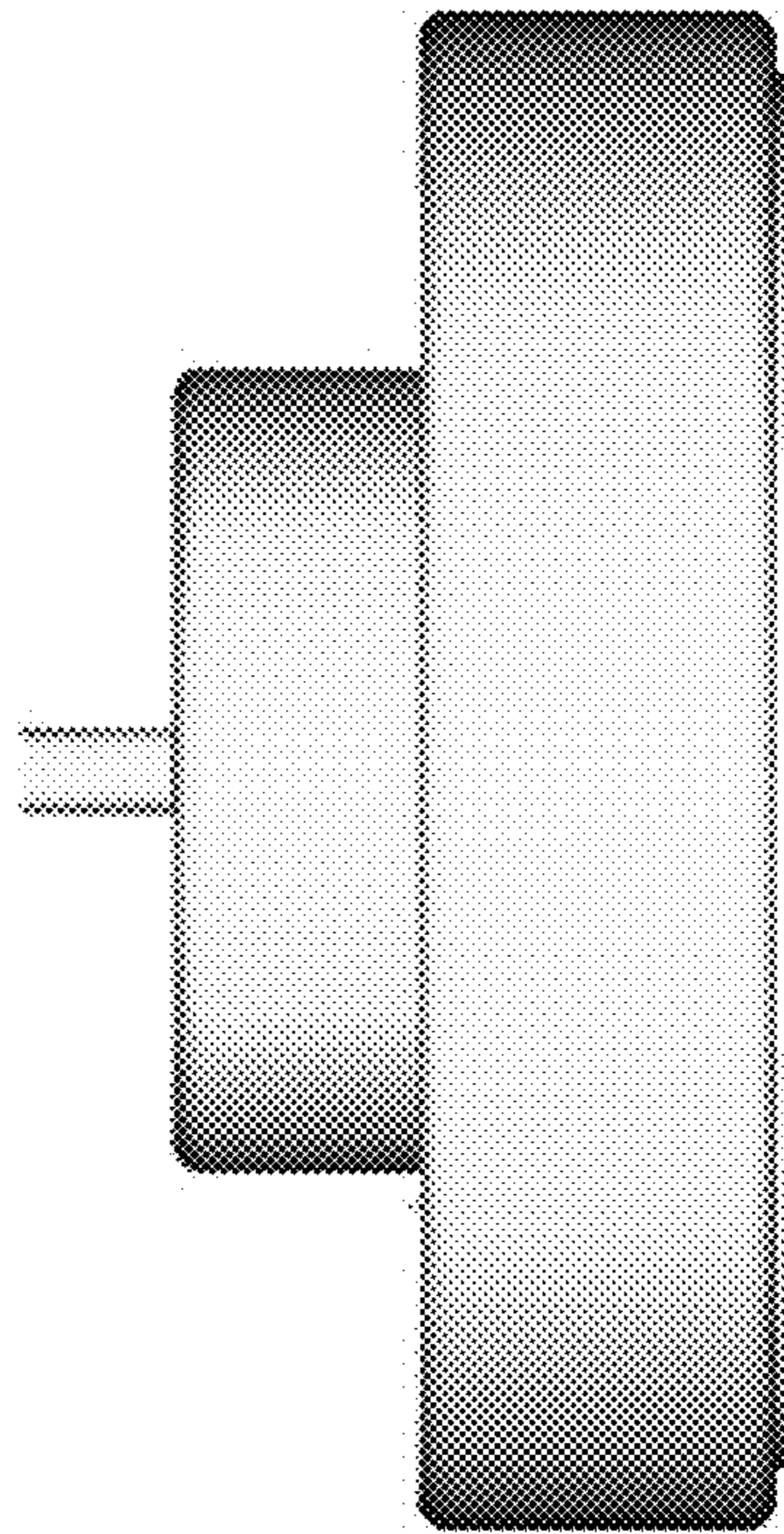
2.3



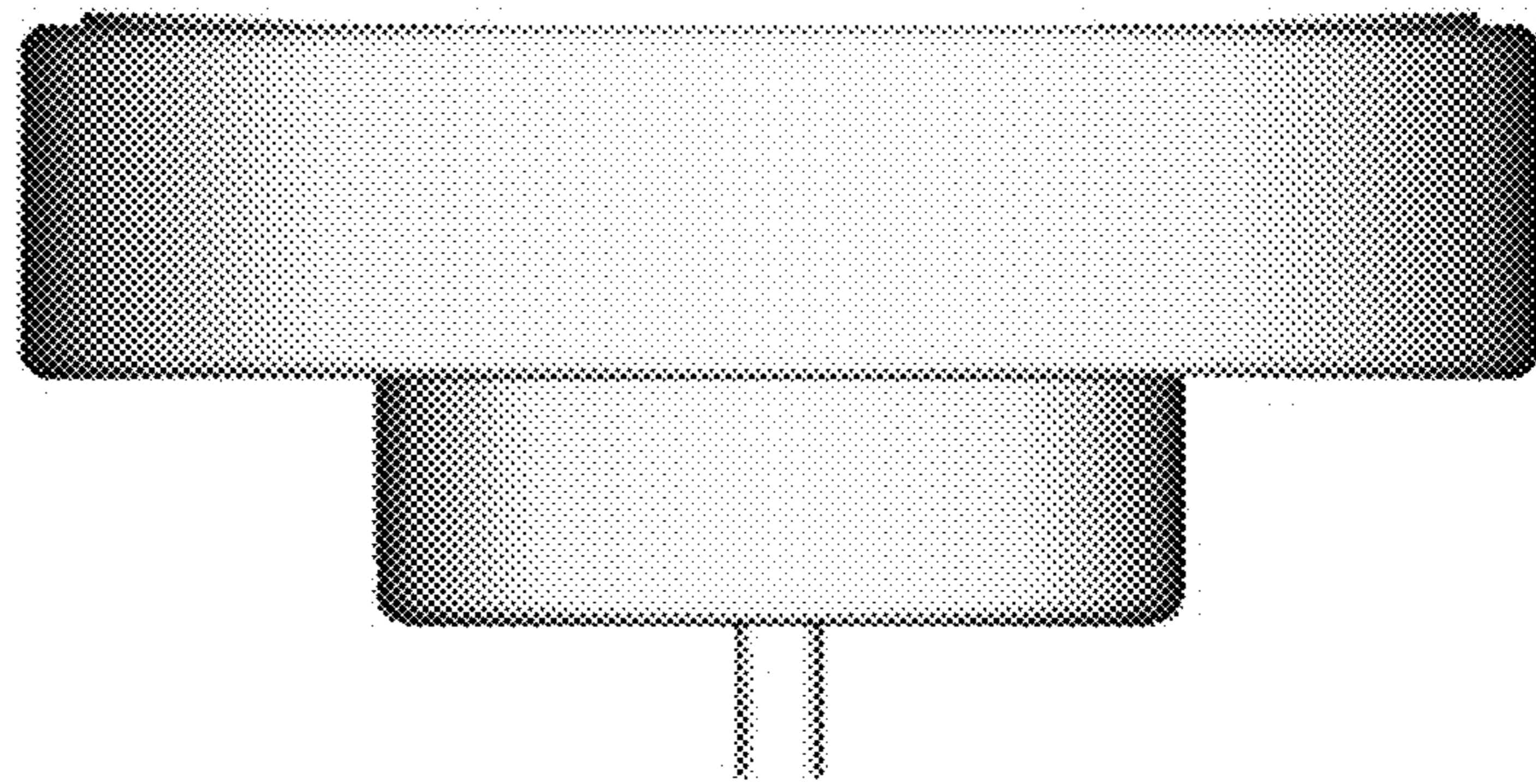
2.4



2.5



2.6



2.7

