



US00D936567S

(12) **United States Design Patent**
Wang

(10) **Patent No.:** **US D936,567 S**

(45) **Date of Patent:** **** Nov. 23, 2021**

(54) **WIRELESS CHARGER**

(71) Applicant: **HAWINK INC**, Denver, CO (US)

(72) Inventor: **Quansen Wang**, Yiwu (CN)

(73) Assignee: **Hawink Inc**, Denver, CO (US)

(**) Term: **15 Years**

(21) Appl. No.: **29/715,052**

(22) Filed: **Nov. 27, 2019**

(30) **Foreign Application Priority Data**

Jun. 17, 2019 (CN) 201930311508.7

(51) **LOC (13) Cl.** **13-02**

(52) **U.S. Cl.**
USPC **D13/103; D13/108**

(58) **Field of Classification Search**
USPC D13/103, 107, 108, 110, 118, 119, 133,
D13/144, 146, 153, 154, 156; D12/114;
D14/432, 433, 434, 435.1, 439, 480.1,
D14/408.5, 480.6, 480.7; D27/183, 193,
D27/194

CPC H01R 12/592; H01R 13/62; H01R 13/46
See application file for complete search history.

(56) **References Cited**

U.S. PATENT DOCUMENTS

D335,277 S *	5/1993	Hattori	D13/103
D642,120 S *	7/2011	Kretschmer	D13/103
D663,688 S *	7/2012	Liu	D13/108
D669,431 S *	10/2012	Yoon	D13/108
D700,138 S *	2/2014	Walz	D13/103
D740,222 S *	10/2015	Tang	D13/103
D786,790 S *	5/2017	Miller	D13/108
D793,397 S *	8/2017	Eliyahu	D14/433
D822,596 S *	7/2018	Roy-Mayhew	D13/107
D889,740 S *	7/2020	Beer	D27/194
2017/0021154 A1 *	1/2017	Johansson	A61M 37/0076

(Continued)

OTHER PUBLICATIONS

“Hawink Mini Tattoo Battery”. Found online Feb. 26, 2021 amazon.com. Reference dated Nov. 5, 2019. Retrieved from <https://www.amazon.com/Hawink-Battery-Rechargeable-Digital-Audio3-5/dp/B085T65LJF?th=1>. (Year: 2019).*

(Continued)

Primary Examiner — Kendra Leslie Hamilton

Assistant Examiner — Amanda Christensen

(74) *Attorney, Agent, or Firm* — Bay State IP, LLC

(57) **CLAIM**

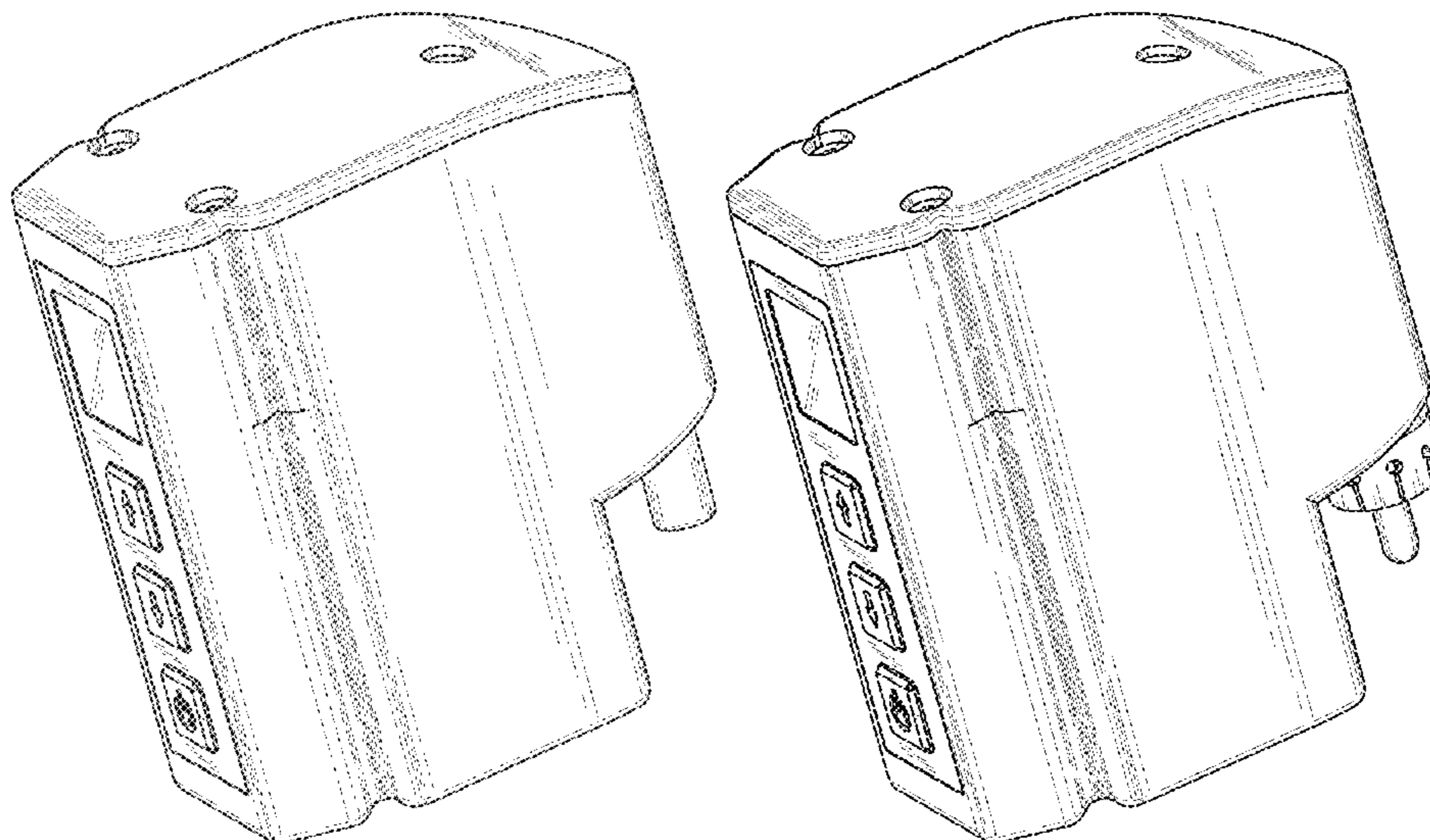
The ornamental design for a wireless charger, as shown and described.

DESCRIPTION

FIG. 1 is a top, front, right side perspective view of a first embodiment of a wireless charger showing my new design; FIG. 2 is a front elevation view thereof; FIG. 3 is a back elevation view thereof; FIG. 4 is a right side elevation view thereof; FIG. 5 is a left side elevation view thereof; FIG. 6 is a top plan view thereof; FIG. 7 is a bottom plan view thereof; FIG. 8 is a top, front, right side perspective view of a second embodiment of the wireless charger; FIG. 9 is a front elevation view thereof; FIG. 10 is a back elevation view thereof; FIG. 11 is a right side elevation view thereof; FIG. 12 is a left side elevation view thereof; FIG. 13 is a top plan view thereof; and, FIG. 14 is a bottom plan view thereof.

The equal-length broken lines in the drawings depict portions of the wireless charger that form no part of the claimed design.

1 Claim, 14 Drawing Sheets



(56)

References Cited

U.S. PATENT DOCUMENTS

2017/0173319 A1* 6/2017 McGuire A61M 37/0076
2020/0306519 A1* 10/2020 Smead H02J 7/0045

OTHER PUBLICATIONS

“Hawink Wireless Tattoo Battery”. Found online Feb. 26, 2021
amazon.com. Reference dated Nov. 25, 2019. Retrieved from [https://
www.amazon.com/Hawink-Wireless-Rechargeable-Dedicated-
Connector/dp/B0814NWX4H?th=1](https://www.amazon.com/Hawink-Wireless-Rechargeable-Dedicated-Connector/dp/B0814NWX4H?th=1). (Year: 2019).*

“Solong Tattoo Pen Kit Rotary”. Found online Feb. 26, 2021
amazon.com. Reference dated Nov. 11, 2017. Retrieved from [https://
www.amazon.com/Solong-Tattoo-Wireless-Cartridge-
EM128KITPRD50-1/dp/B07PJNMGCL?th=1](https://www.amazon.com/Solong-Tattoo-Wireless-Cartridge-EM128KITPRD50-1/dp/B07PJNMGCL?th=1). (Year: 2017).*

* cited by examiner

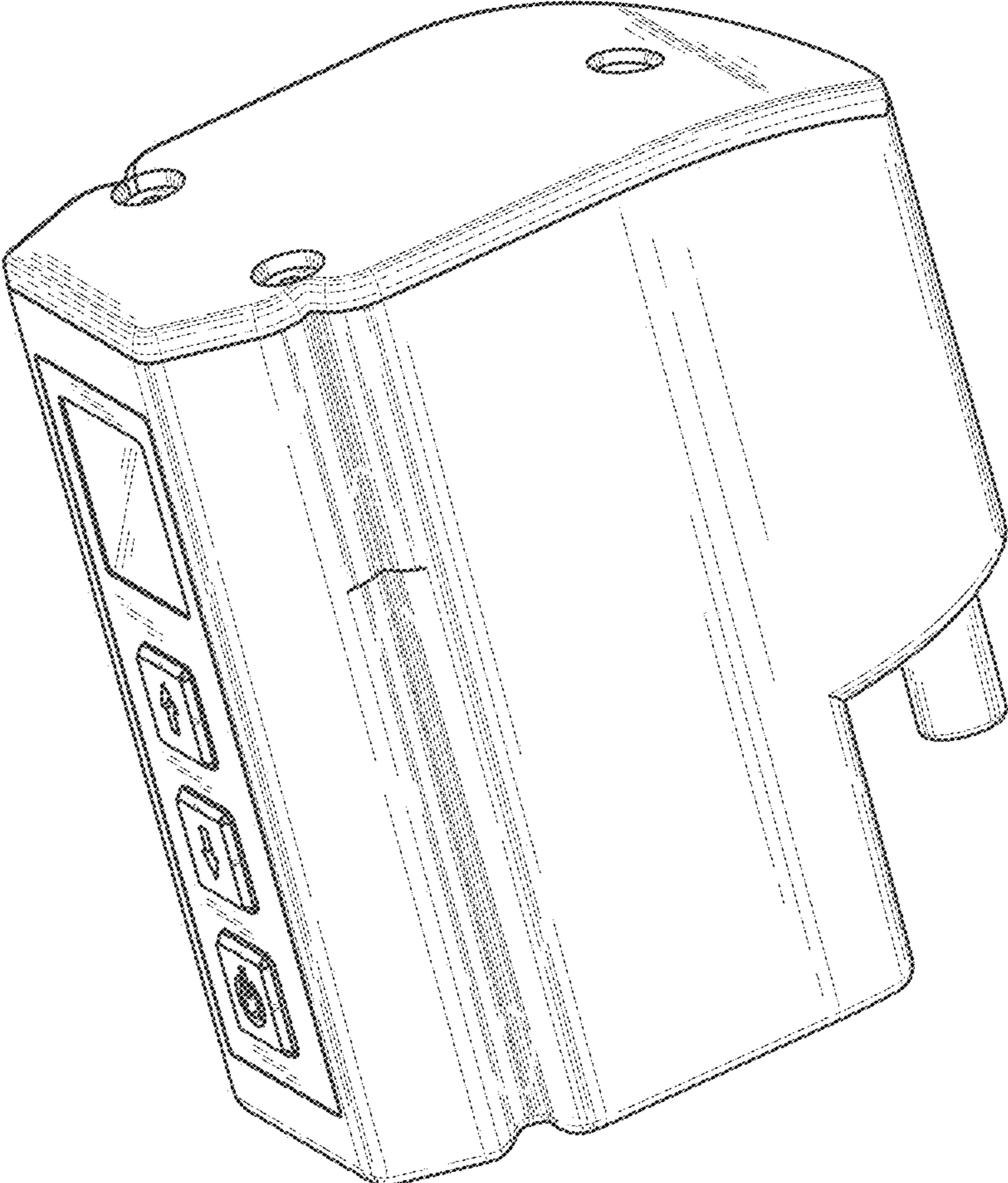


FIG.1

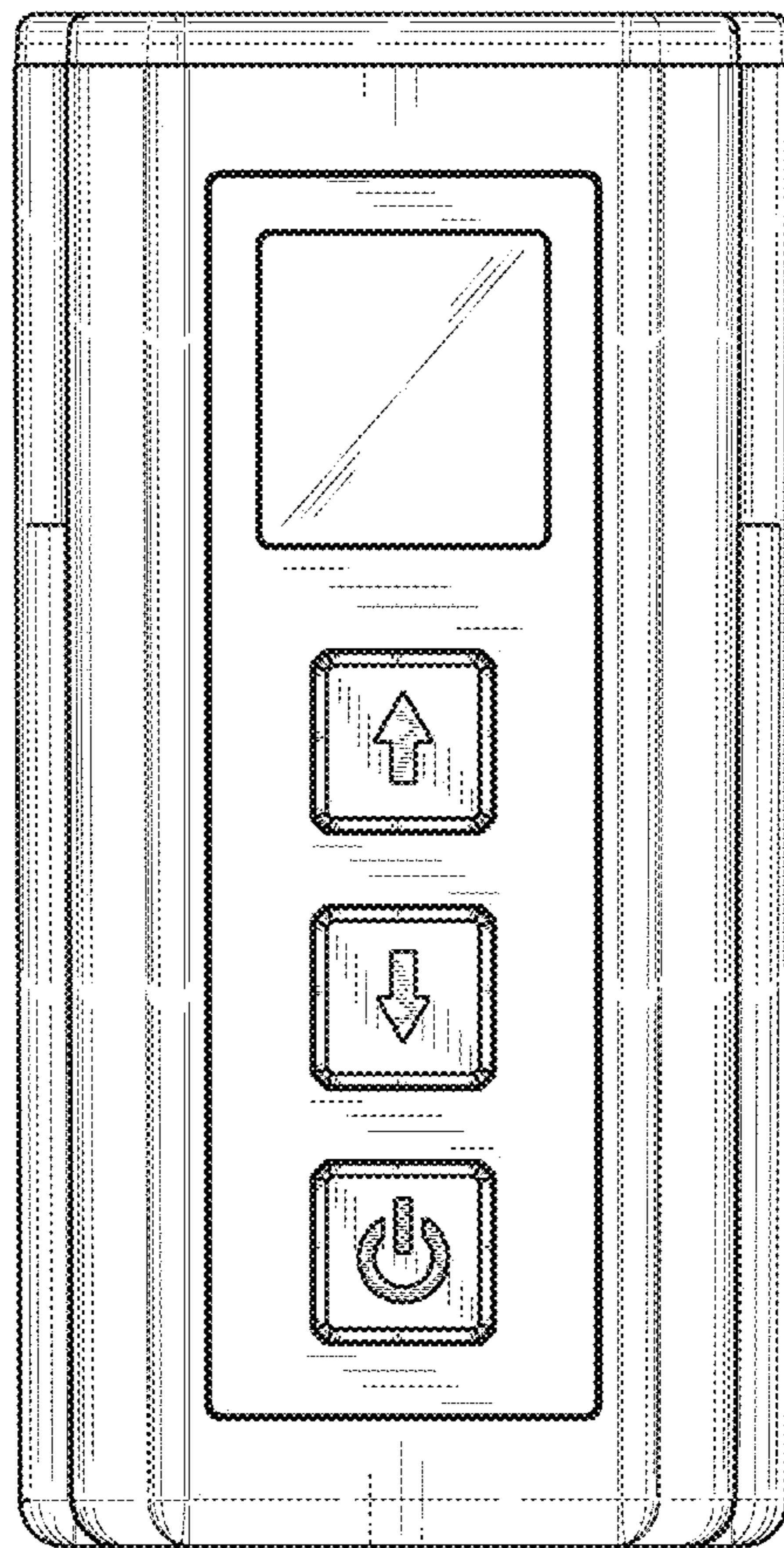


FIG.2

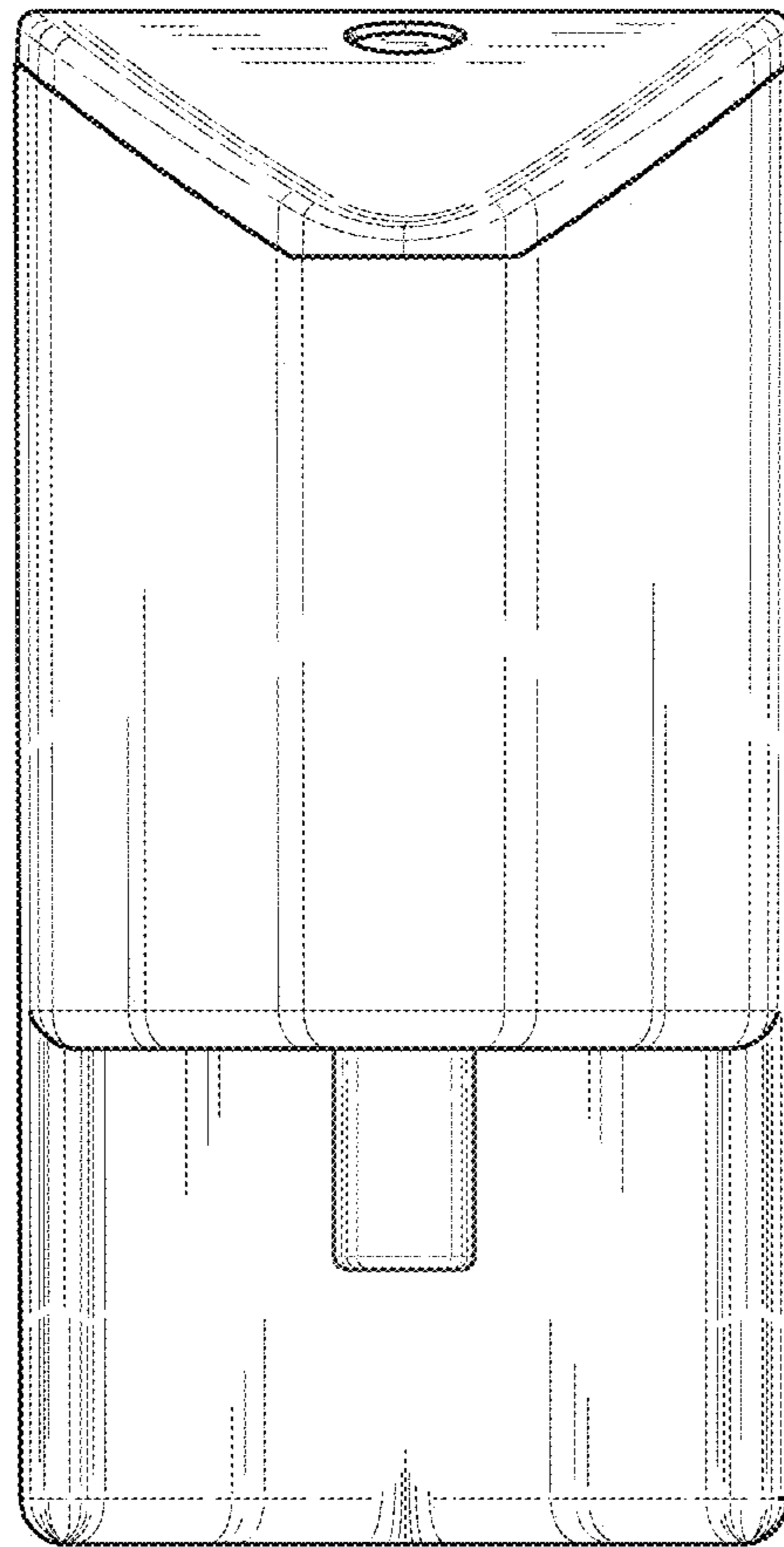


FIG.3

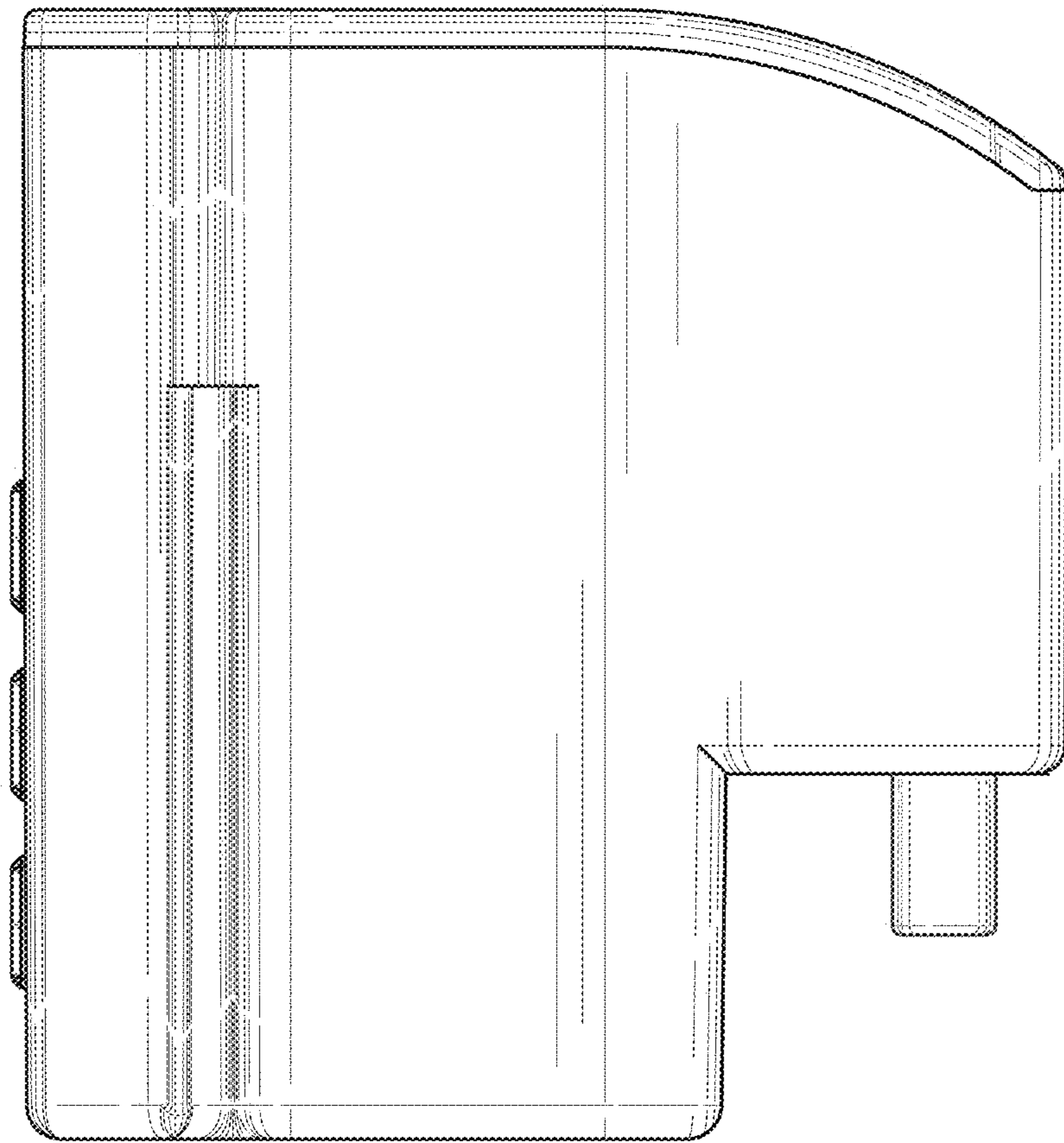


FIG.4

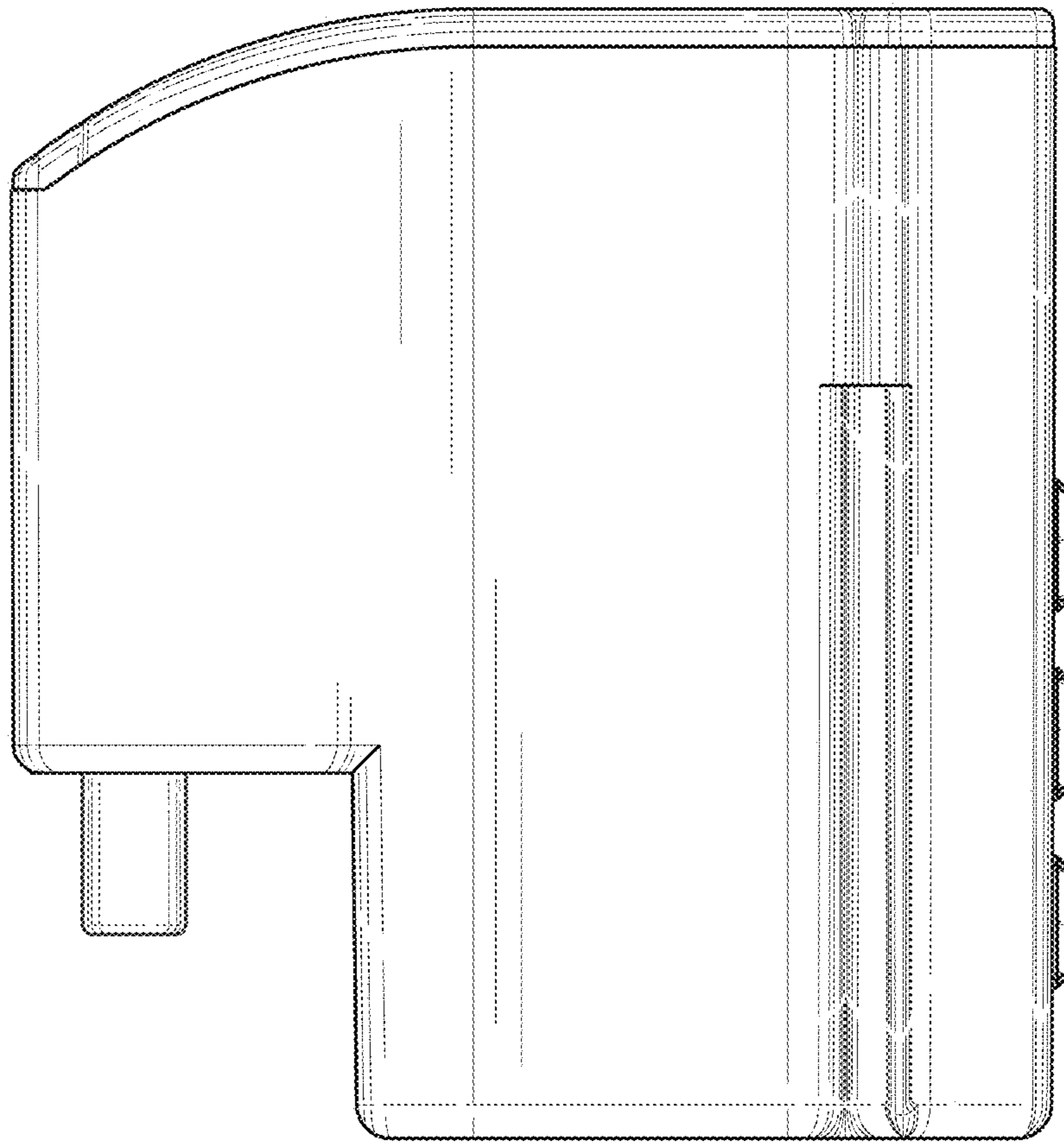


FIG.5

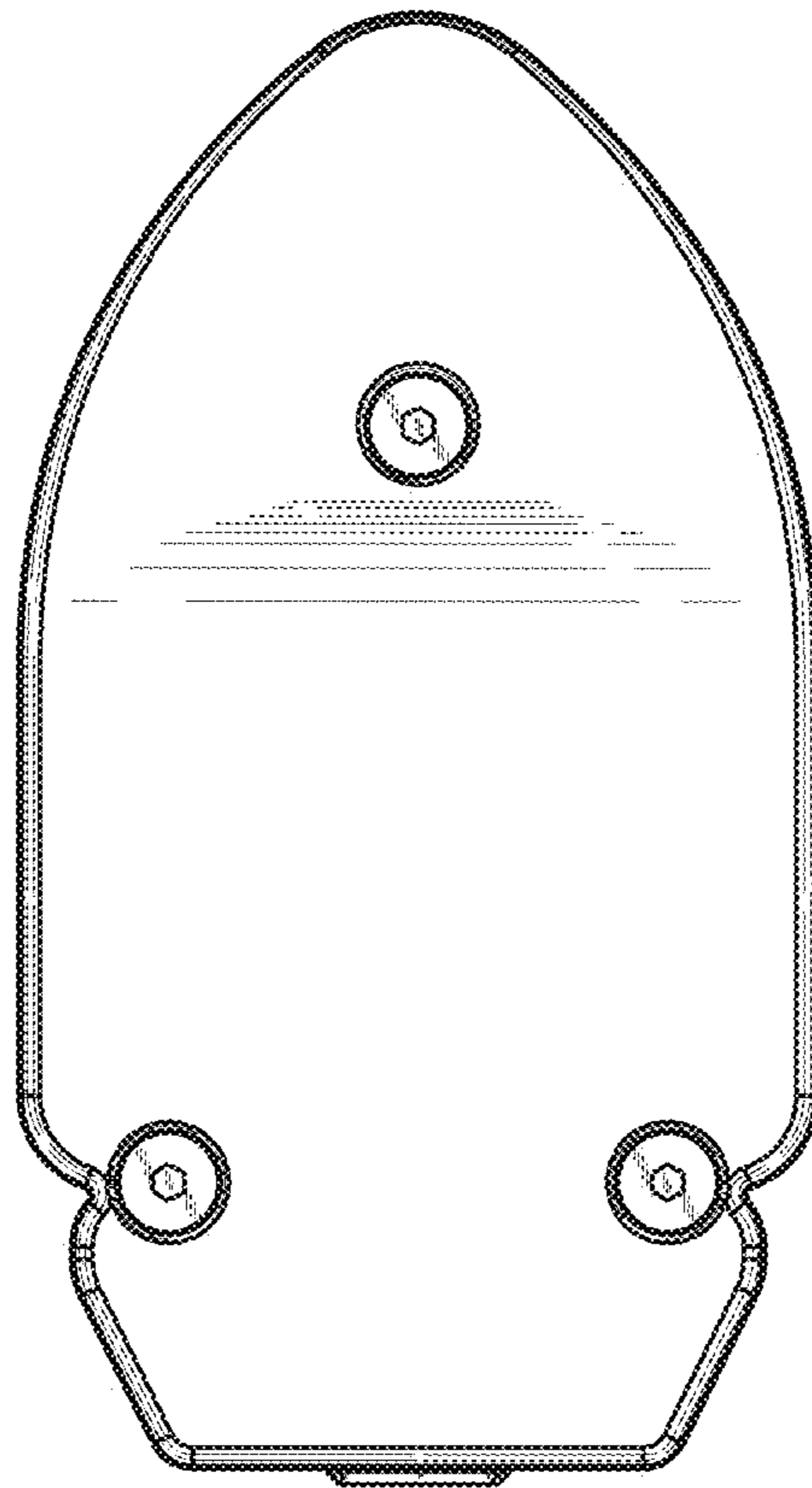


FIG.6

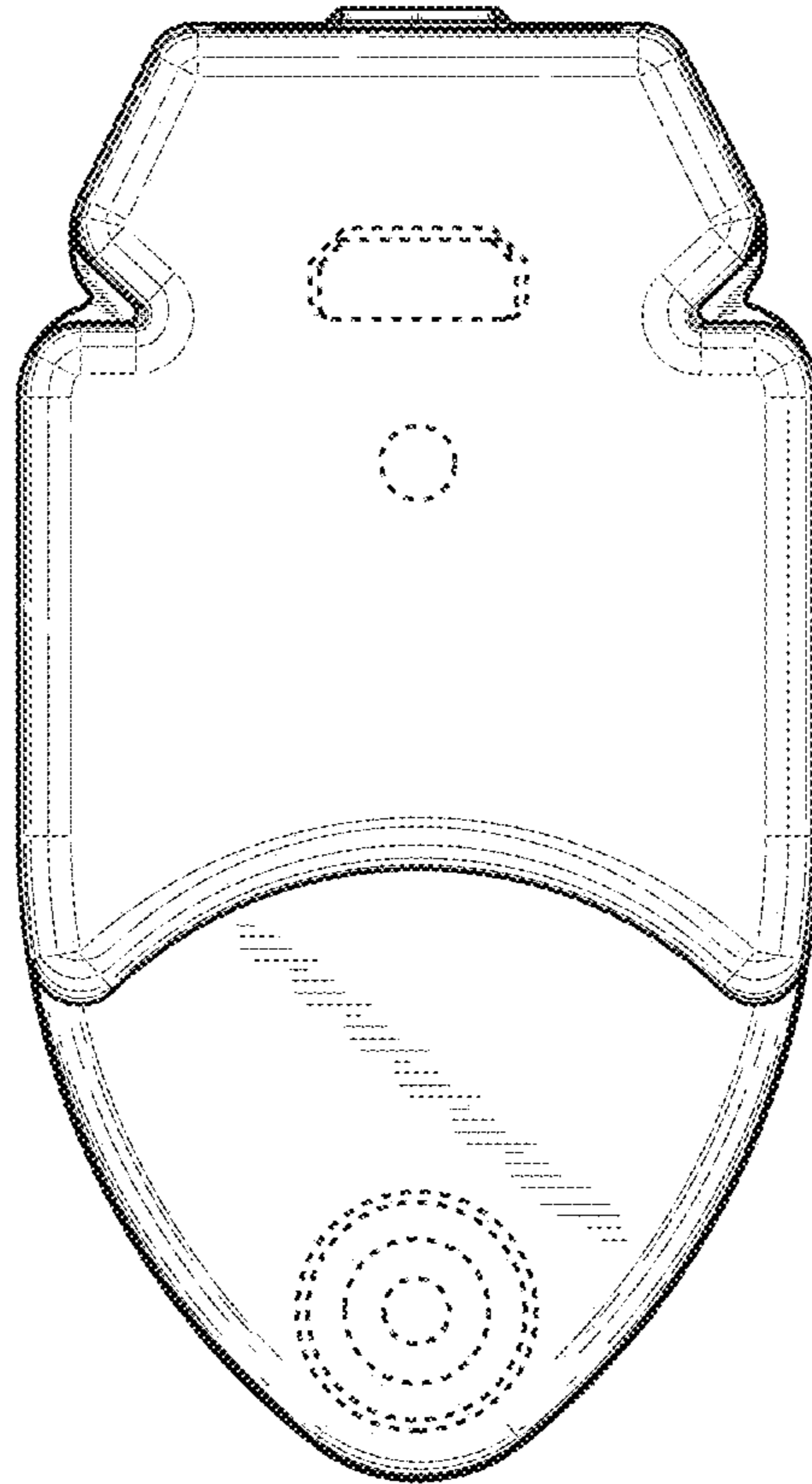


FIG.7

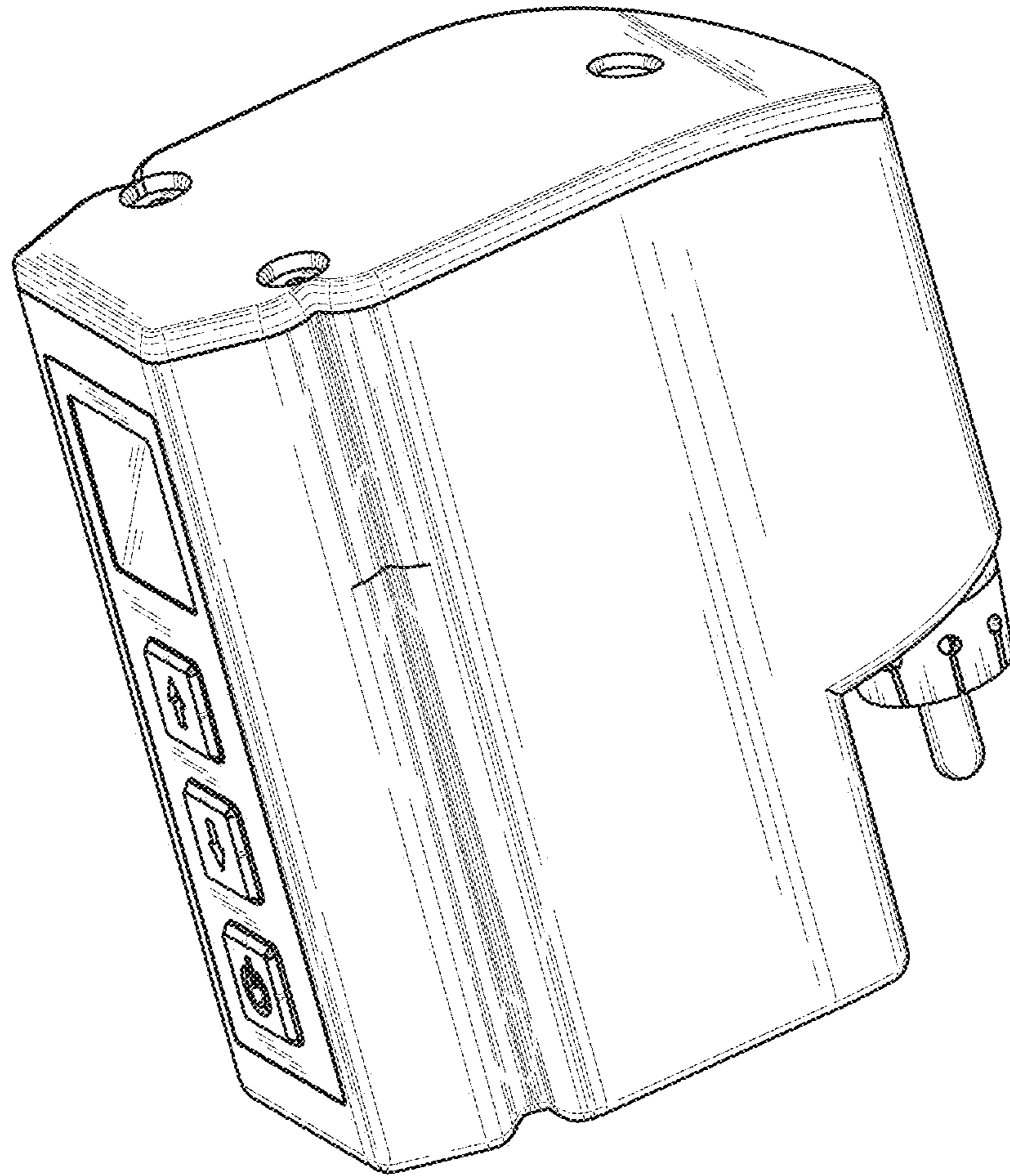


FIG.8

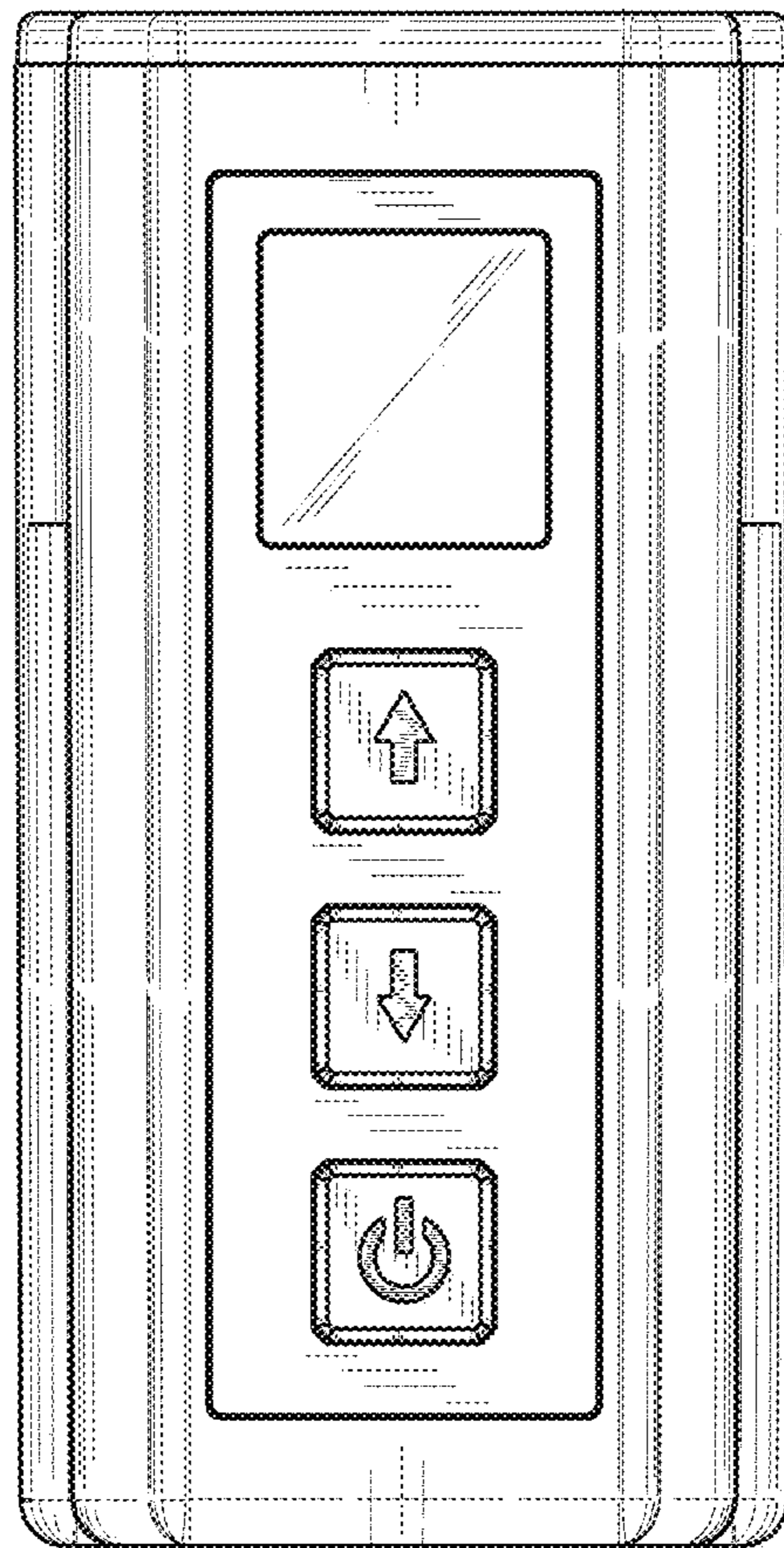


FIG.9

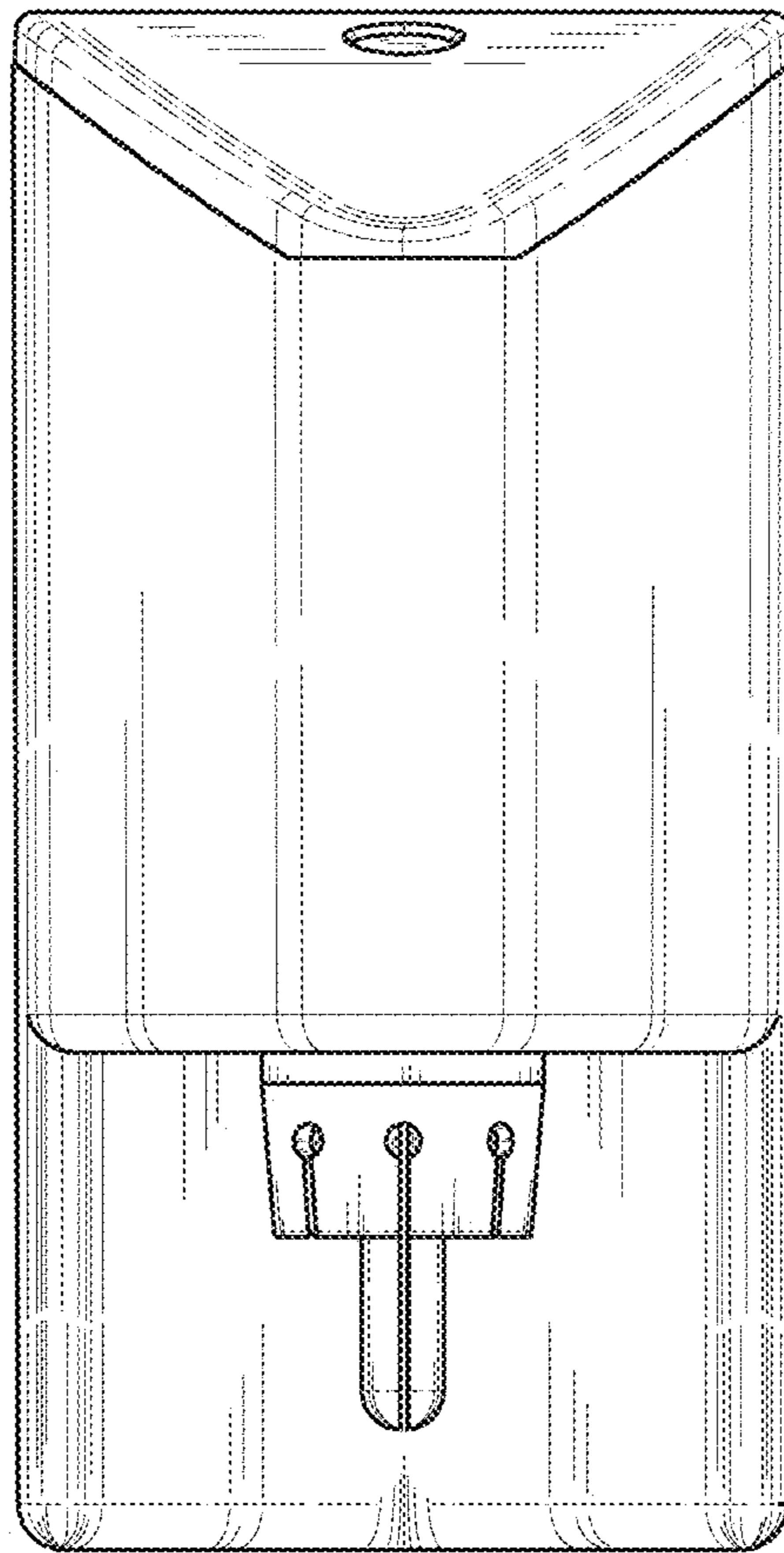


FIG.10

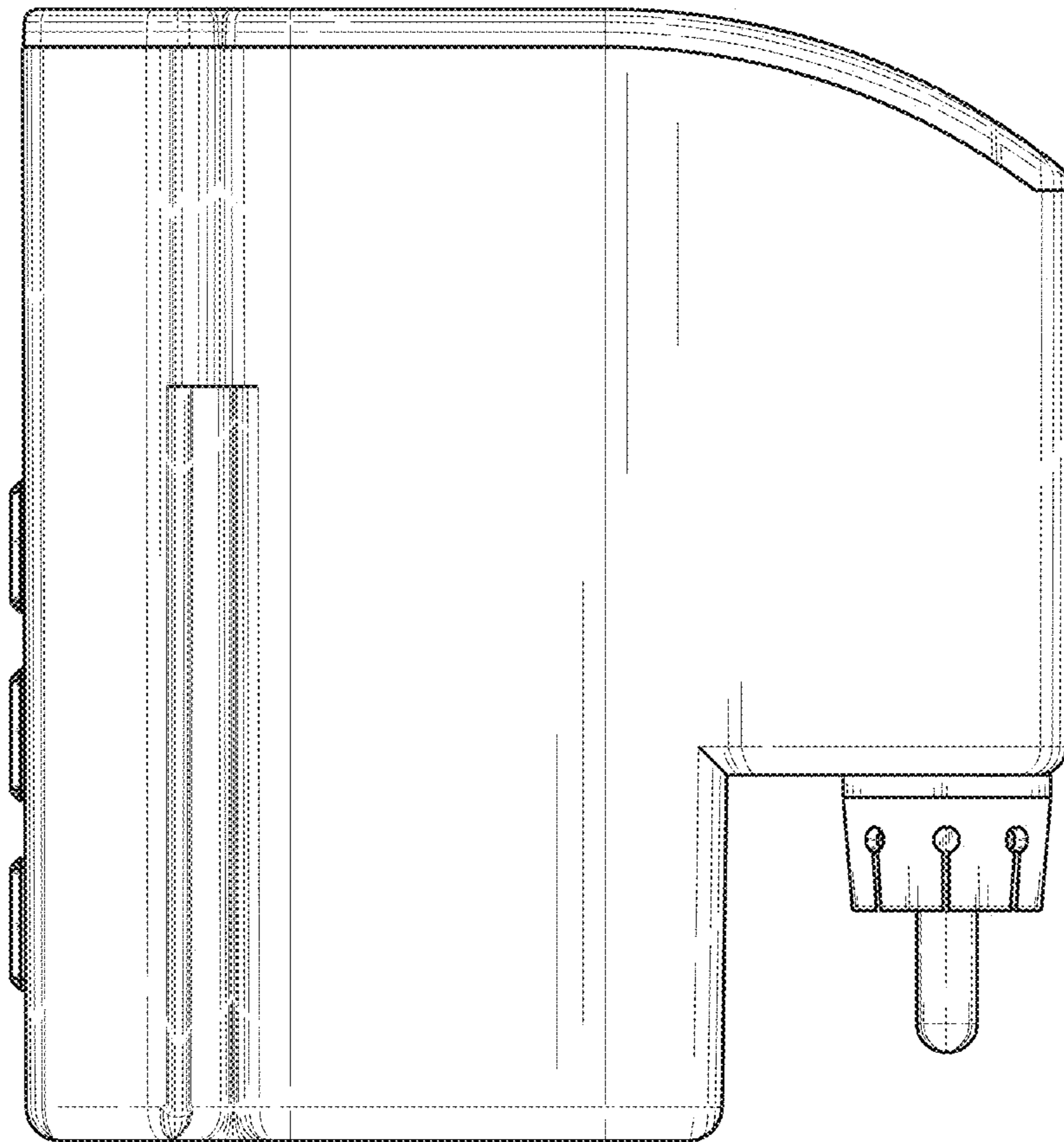


FIG.11

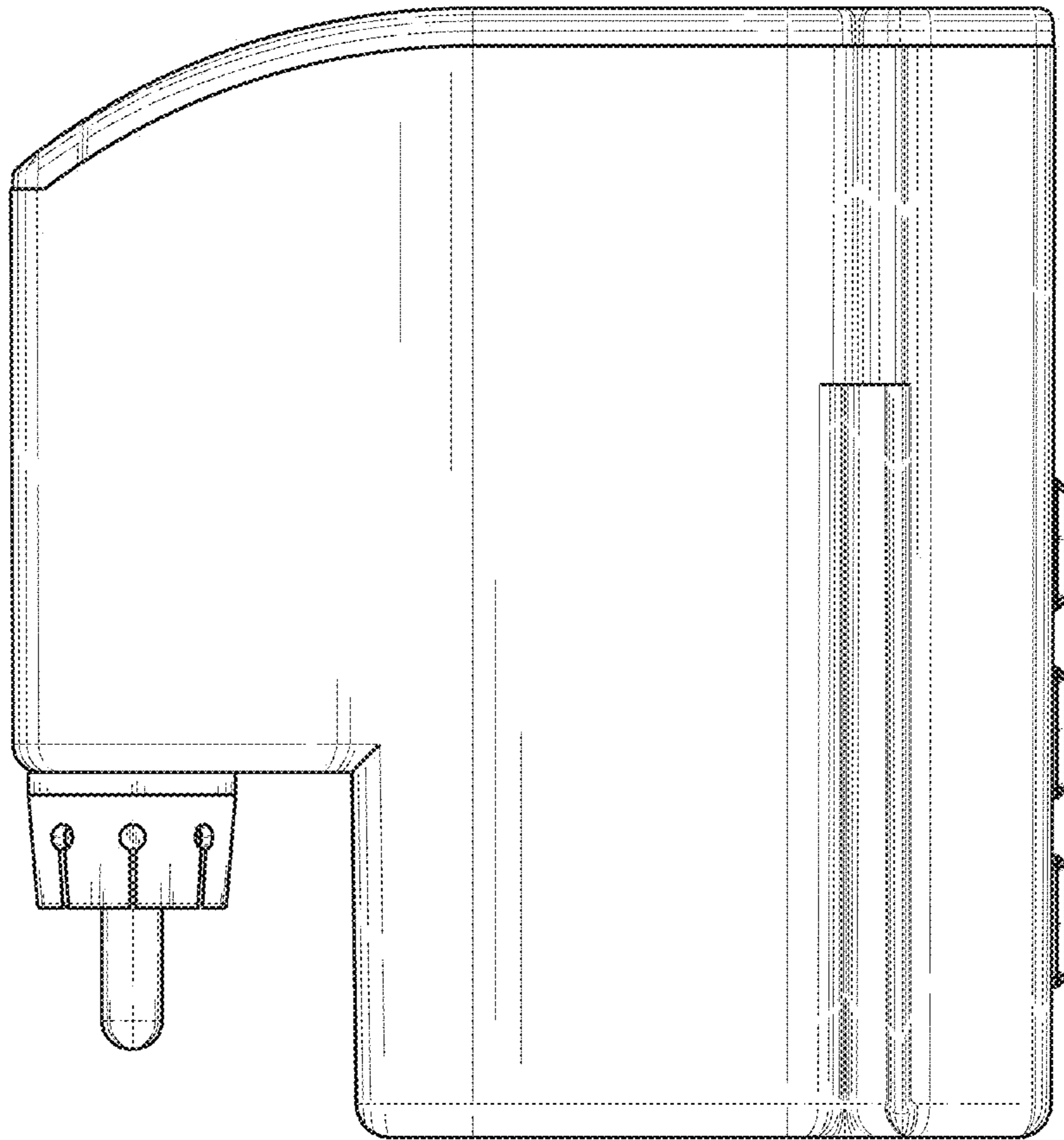


FIG.12

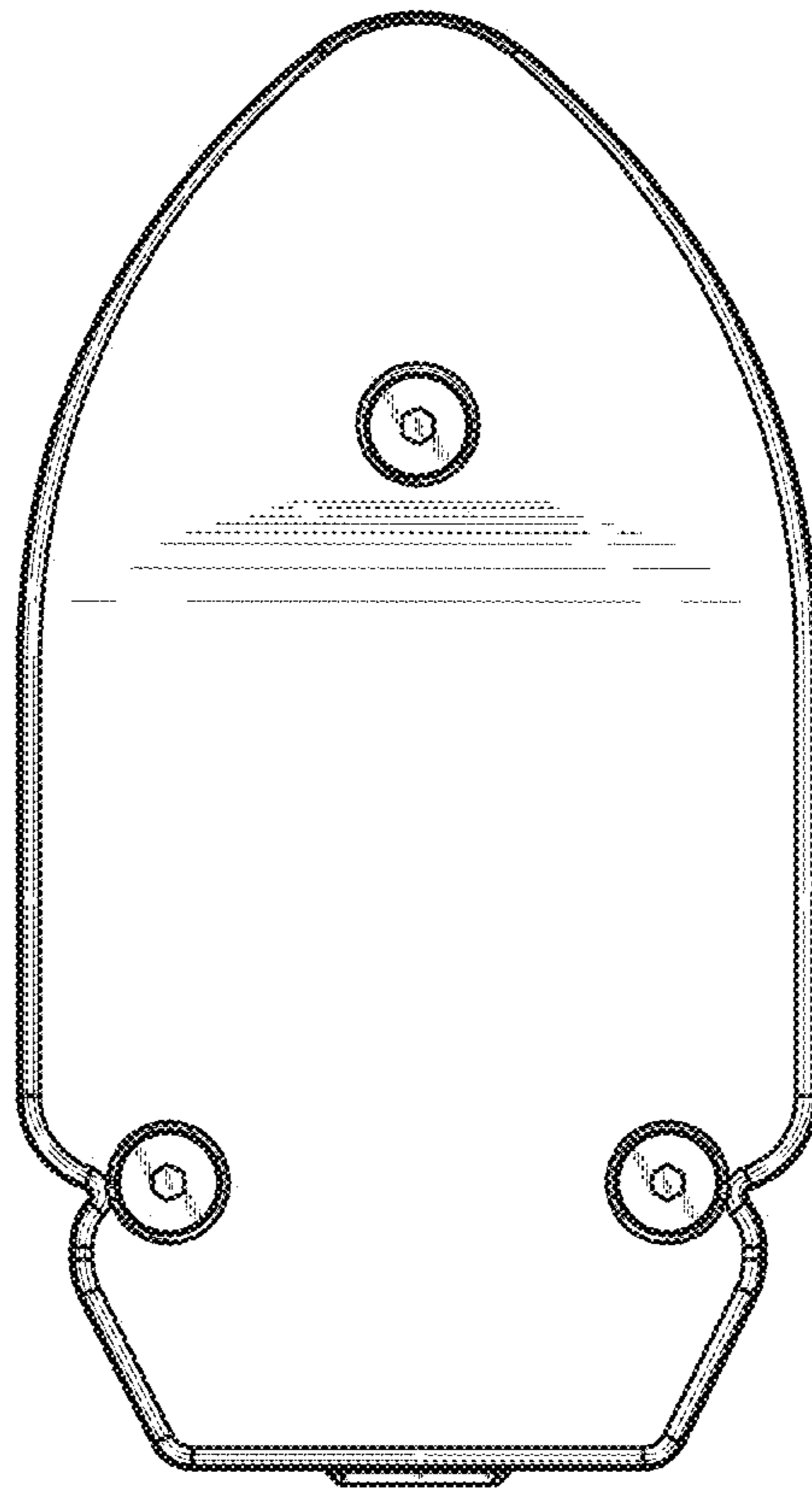


FIG. 13

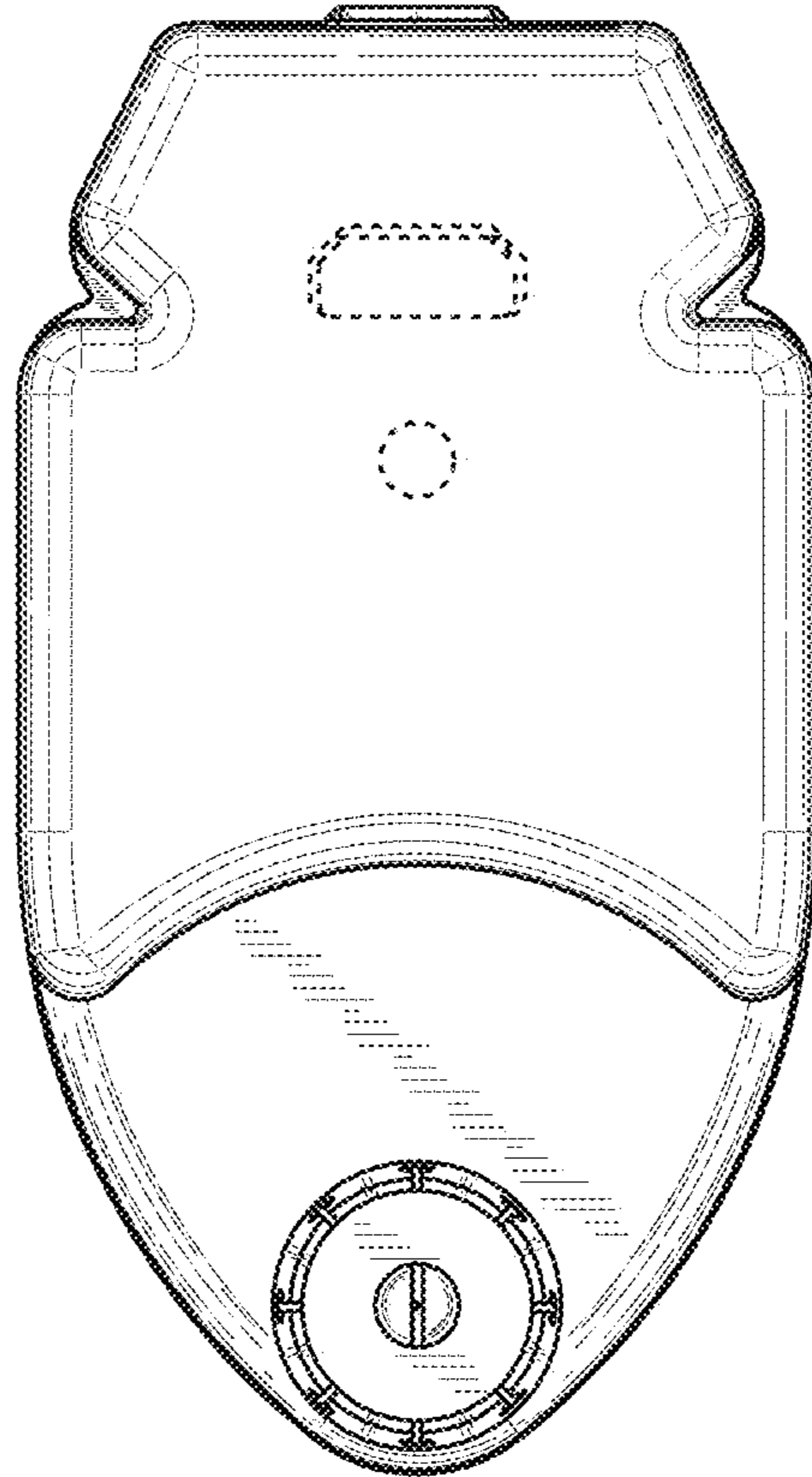


FIG.14