



US00D936561S

(12) **United States Design Patent** (10) **Patent No.:** **US D936,561 S**
Choi et al. (45) **Date of Patent:** **** Nov. 23, 2021**

(54) **CARGO CONTAINER**
(71) Applicant: **DEKA Products Limited Partnership**,
Manchester, NH (US)
(72) Inventors: **Sooshin Choi**, Londonderry, NH (US);
Spencer Winfield Trafton, Nashua, NH
(US)
(73) Assignee: **Amoskeag ADV LLC**, Manchester, NH
(US)
(**) Term: **15 Years**
(21) Appl. No.: **29/725,402**
(22) Filed: **Feb. 25, 2020**
(51) **LOC (13) Cl.** **12-16**
(52) **U.S. Cl.**
USPC **D12/415; D3/272**
(58) **Field of Classification Search**
USPC D12/93-96, 98-114, 190, 196, 223,
D12/400-415, 414.1; D3/201, 273, 232,
D3/287, 276, 272, 215, 282, 217, 225,
D3/218, 226, 274; D6/552
CPC B65D 88/14; B65D 88/129; B65D 88/12;
B65D 88/121; B65D 88/00; B65D
88/127; B65D 88/52; B65D 90/00; B65D
90/02; B65D 90/04; B65D 90/06; B65D
90/08; B65D 90/0086; B65D 90/0066;
B65D 90/008; B65D 90/0026; B65D
90/10; B65D 90/045; B65D 90/048;
B65D 90/055; B65D 90/058; B65D
25/00; B65D 25/02; B62J 7/00; B62J
7/04; B62J 7/0406; B62J 7/003
See application file for complete search history.

(56) **References Cited**
U.S. PATENT DOCUMENTS
D260,252 S * 8/1981 Groene D12/413
D388,027 S 12/1997 Polak

D388,368 S 12/1997 Polak
D408,767 S 4/1999 Bar
D424,483 S 5/2000 Tripodi
6,161,714 A 12/2000 Matsuura et al.
D447,460 S * 9/2001 Snook D12/413
D470,084 S 2/2003 Schlough
D630,156 S * 1/2011 Farber D12/413
D636,301 S 4/2011 Dammacco
D734,029 S 7/2015 Lee, II
D740,555 S 10/2015 Huber
D740,556 S 10/2015 Huber
9,248,958 B2 2/2016 Pherson
9,254,857 B2 2/2016 Fiebelkorn
D793,914 S 8/2017 Eriksson
D827,939 S 9/2018 Jakubowski et al.
D863,203 S * 10/2019 Eriksson D12/413
10,773,881 B2 9/2020 Pherson et al.
D911,254 S * 2/2021 Bourassa D12/413
2008/0042379 A1 2/2008 Amran

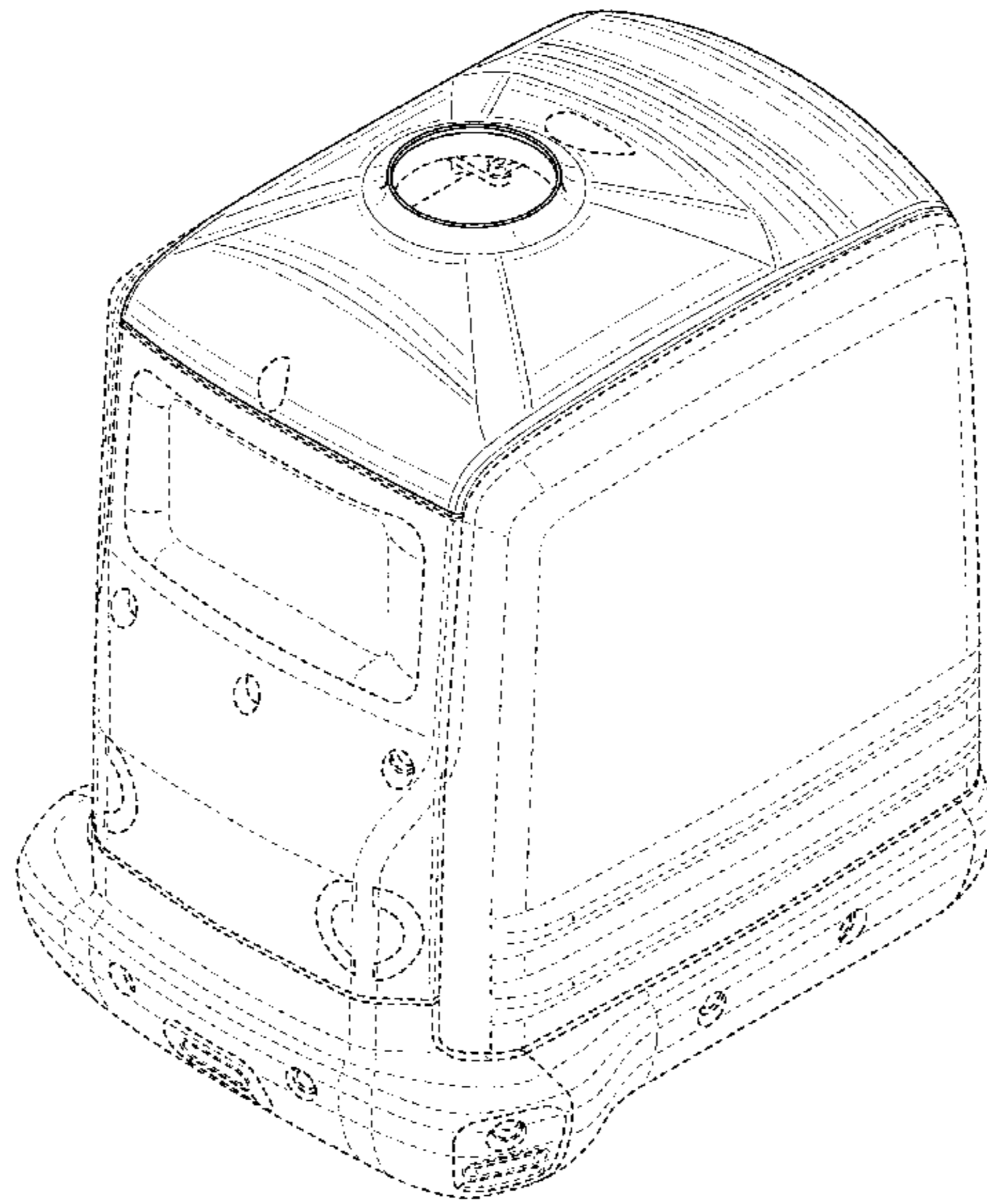
(Continued)

Primary Examiner — Abraham Bahta
(74) *Attorney, Agent, or Firm* — Toohey Law Group LLC

(57) **CLAIM**
The ornamental design for a cargo container, as shown and described.

DESCRIPTION
FIG. 1 is a front, top, and right side perspective view of the cargo container, showing the new design;
FIG. 2 is a front side elevational view thereof;
FIG. 3 is a rear side elevational view thereof;
FIG. 4 is a left side elevational view thereof;
FIG. 5 is a right side elevational view thereof;
FIG. 6 is a top plan view thereof; and,
FIG. 7 is a bottom plan view thereof.
The ornamental design which is claimed is shown in solid lines in the drawings. Any broken lines in the drawings are for illustrative purposes only and form no part of the claimed design.

1 Claim, 7 Drawing Sheets



(56)

References Cited

U.S. PATENT DOCUMENTS

2017/0080967 A1 3/2017 Atkins
2018/0146757 A1 5/2018 Signh Johar

* cited by examiner

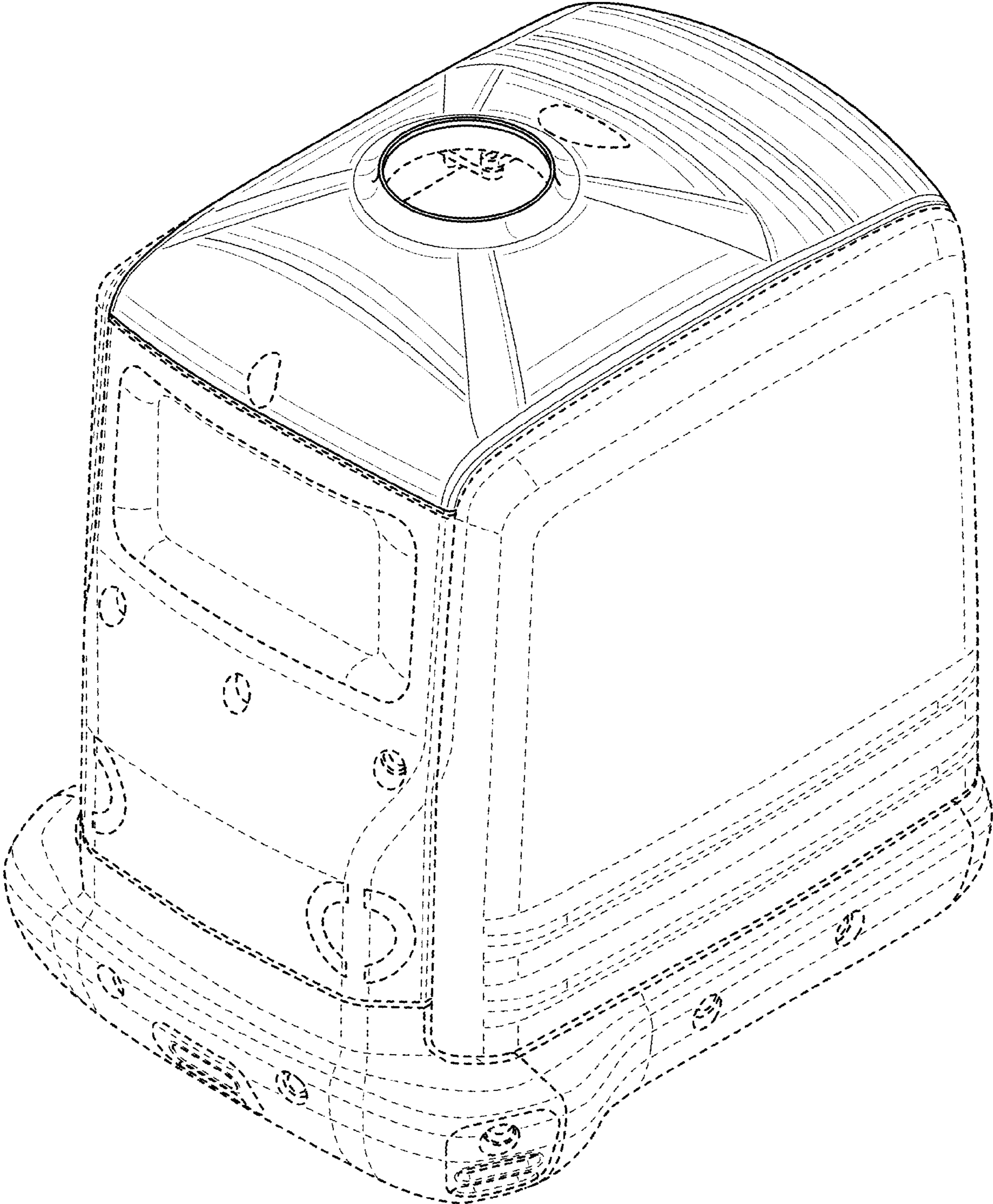


FIG. 1

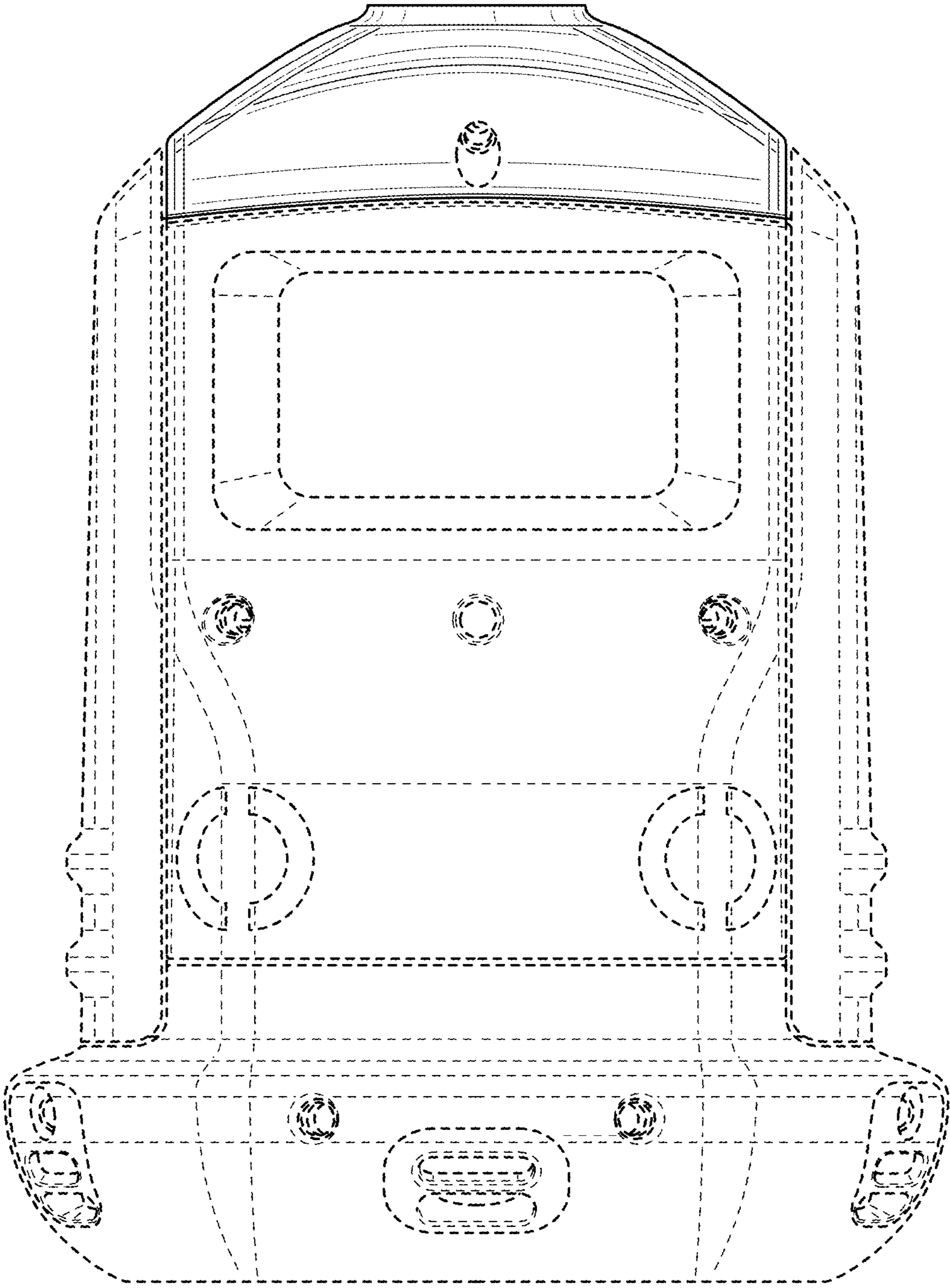


FIG. 2

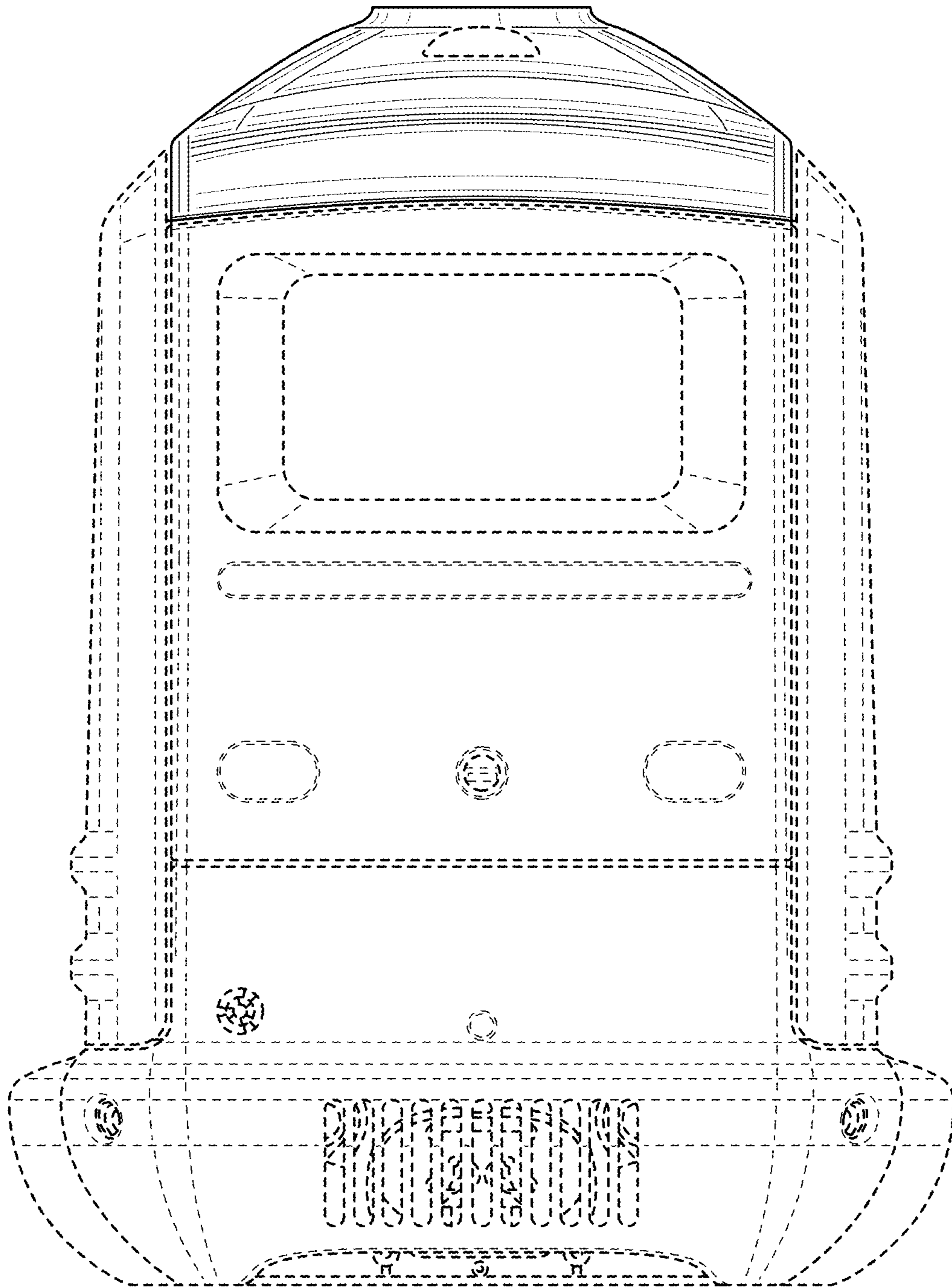


FIG. 3

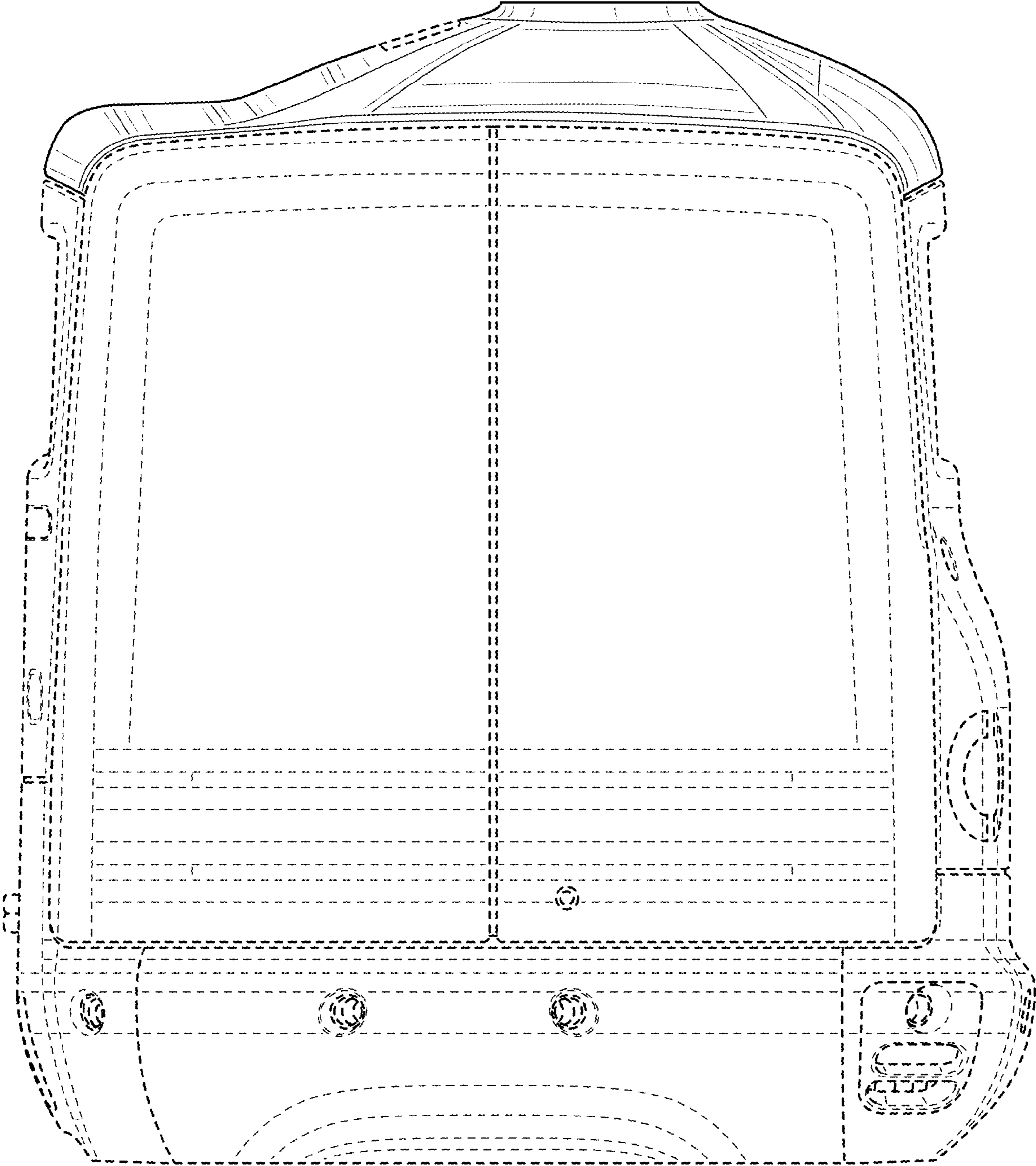


FIG. 4

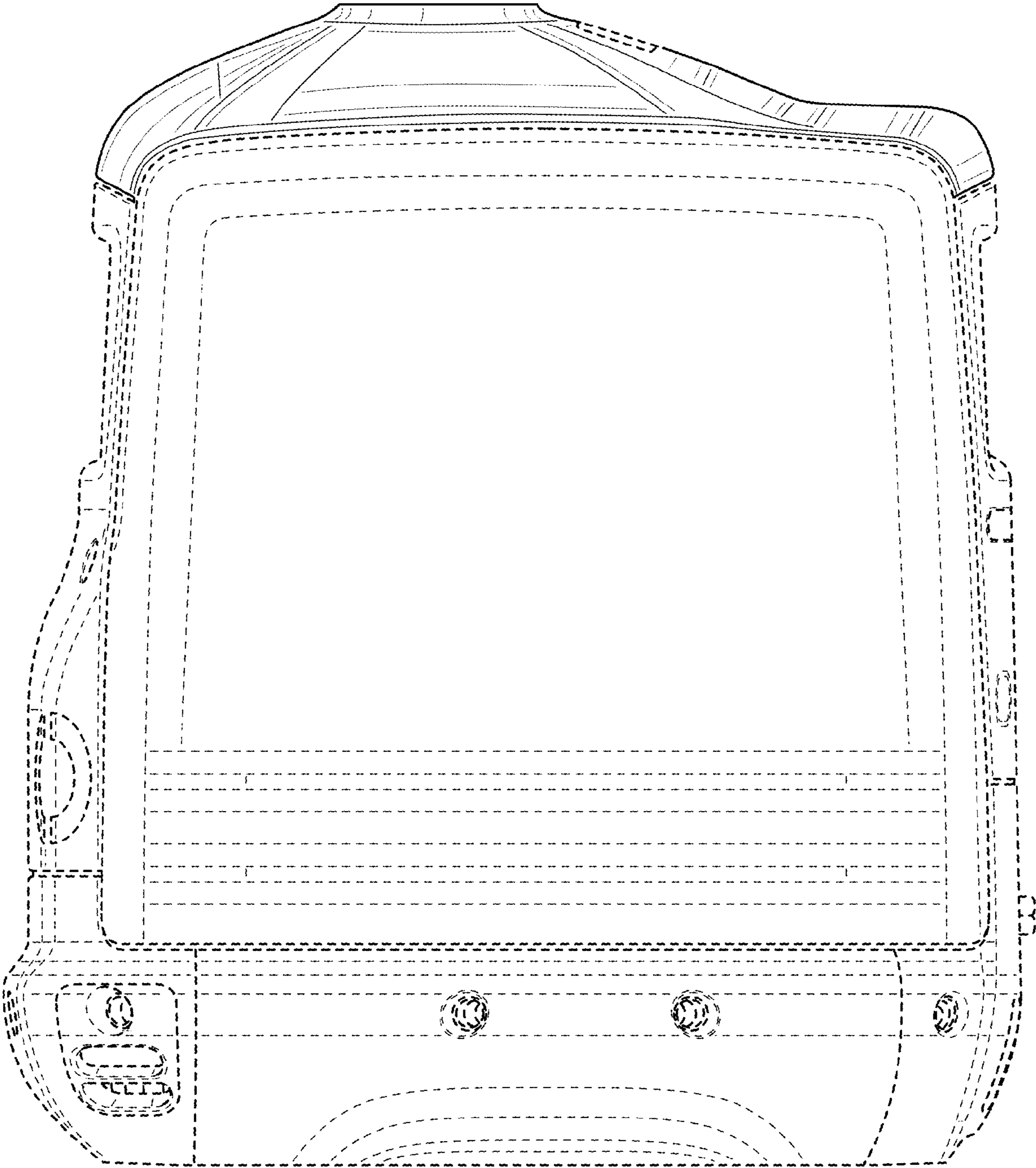


FIG. 5

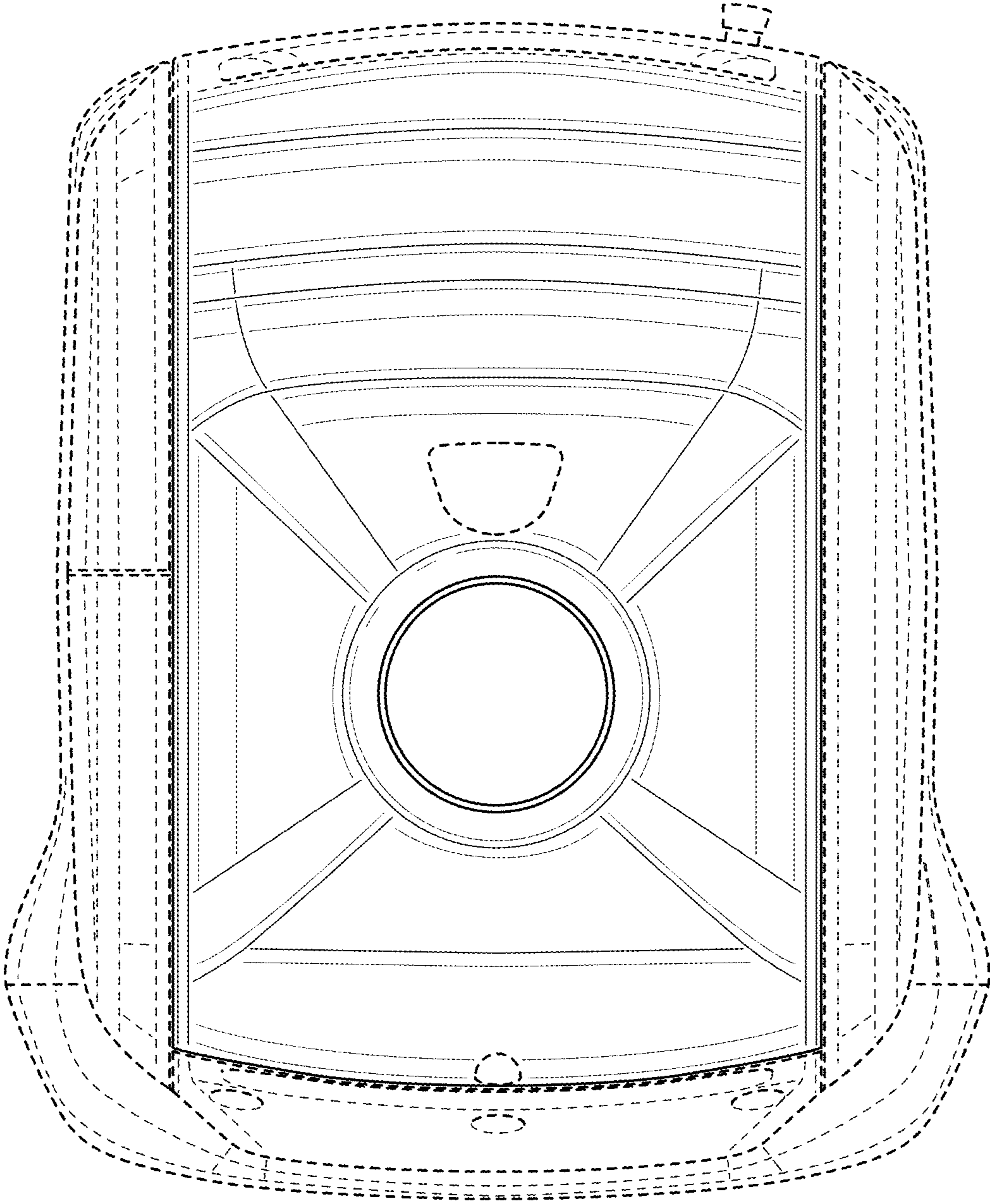


FIG. 6

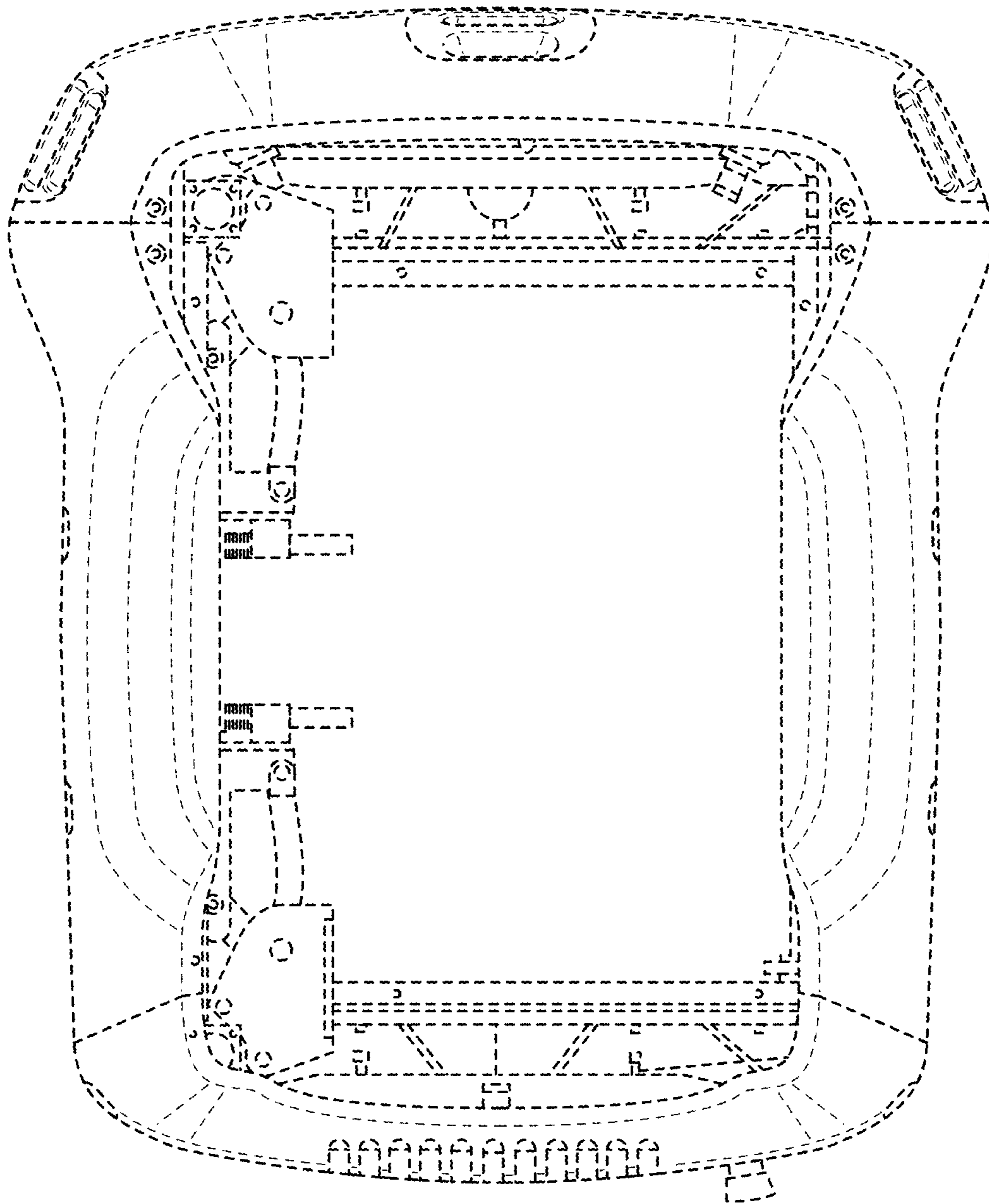


FIG. 7