



US00D936560S

(12) **United States Design Patent** (10) **Patent No.:** **US D936,560 S**
Choi et al. (45) **Date of Patent:** **** Nov. 23, 2021**

(54) **CARGO CONTAINER**

(71) Applicant: **DEKA Products Limited Partnership**,
Manchester, NH (US)

(72) Inventors: **Sooshin Choi**, Londonderry, NH (US);
Spencer Winfield Trafton, Nashua, NH
(US)

(73) Assignee: **Amoskeag ADV LLC**, Manchester, NH
(US)

(**) Term: **15 Years**

(21) Appl. No.: **29/725,376**

(22) Filed: **Feb. 25, 2020**

(51) **LOC (13) Cl.** **12-16**

(52) **U.S. Cl.**
USPC **D12/413; D3/272**

(58) **Field of Classification Search**
USPC D12/93-96, 98-114, 190, 196, 223,
D12/400-415, 414.1; D3/201, 273, 232,
D3/287, 276, 272, 215, 282, 217, 225,
D3/218, 226, 274; D6/552

CPC B65D 88/14; B65D 88/129; B65D 88/12;
B65D 88/121; B65D 88/00; B65D
88/127; B65D 88/52; B65D 90/00; B65D
90/02; B65D 90/022; B65D 90/0086;
B65D 90/0066; B65D 90/0026; B65D
90/04; B65D 90/06; B65D 90/08; B65D
90/10; B65D 90/045; B65D 90/048;
B65D 90/055; B65D 90/058; B65D
25/00; B65D 25/02; B62J 7/00; B62J
7/04; B62J 7/0406; B62J 7/003

See application file for complete search history.

(56) **References Cited**

U.S. PATENT DOCUMENTS

D260,252 S * 8/1981 Groene D12/413
D388,027 S 12/1997 Polak

D388,368 S 12/1997 Polak
D408,767 S 4/1999 Bar
D424,483 S 5/2000 Tripodi
6,161,714 A 12/2000 Matsuura et al.
D447,460 S * 9/2001 Snook D12/413
D470,084 S 2/2003 Schlough
D630,156 S * 1/2011 Farber D12/413
D636,301 S 4/2011 Dammacco
D734,029 S 7/2015 Lee, II
D740,555 S 10/2015 Huber
D740,556 S 10/2015 Huber
9,248,958 B2 2/2016 Pherson
9,254,857 B2 2/2016 Fiebelkorn
D793,914 S 8/2017 Eriksson

(Continued)

Primary Examiner — Abraham Bahta

(74) *Attorney, Agent, or Firm* — Toohey Law Group LLC

(57) **CLAIM**

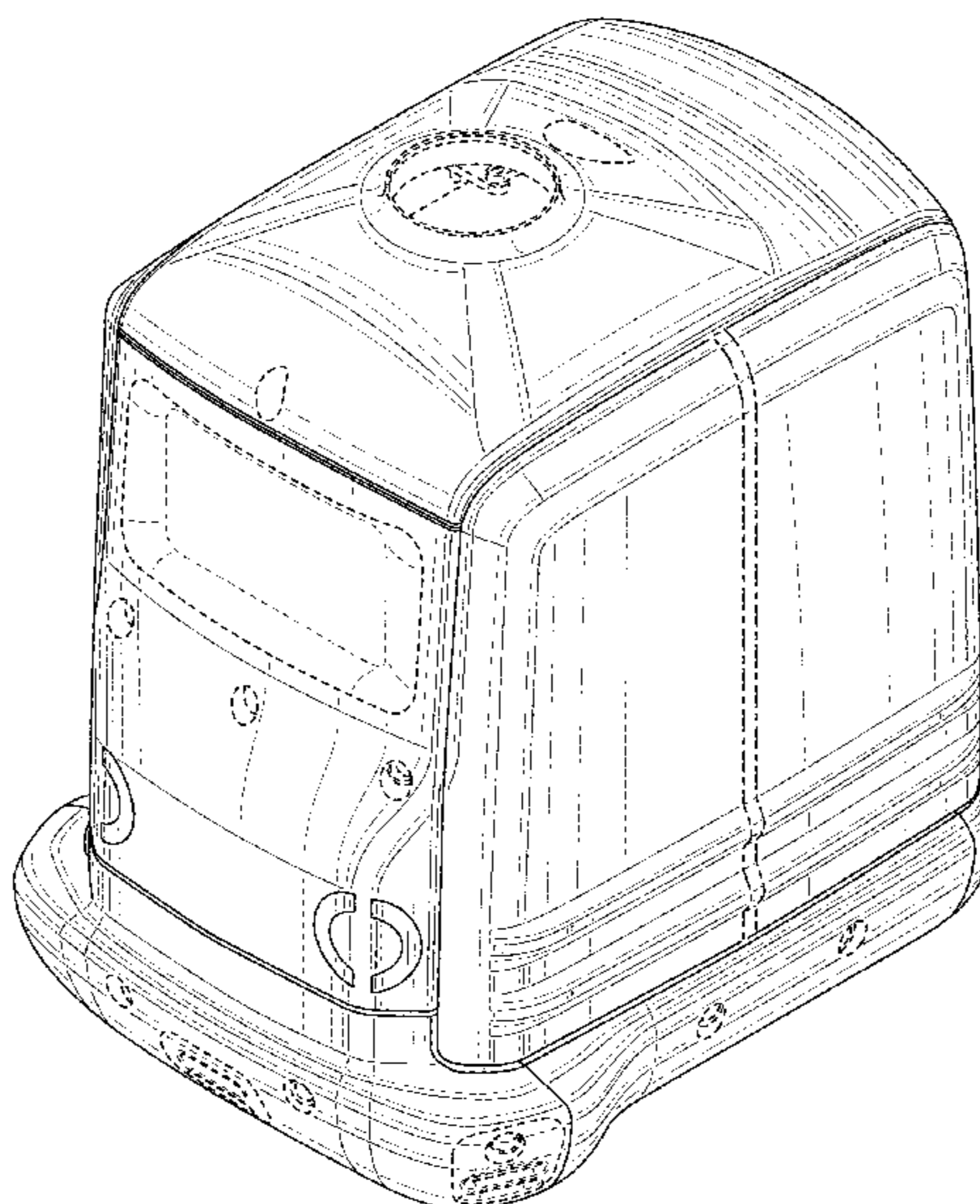
The ornamental design for a cargo container, as shown and described.

DESCRIPTION

FIG. 1 is a front, top, and right side perspective view of the cargo container, showing the new design; FIG. 2 is a front side elevational view thereof; FIG. 3 is a rear side elevational view thereof; FIG. 4 is a left side elevational view thereof; FIG. 5 is a right side elevational view thereof; FIG. 6 is a top plan view thereof; and, FIG. 7 is a bottom plan view thereof.

The ornamental design which is claimed is shown in solid lines in the drawings. Any broken lines in the drawings are for illustrative purposes only and form no part of the claimed design. The uneven broken lines in the drawings and the area(s) within the uneven broken lines show portions of the cargo container that form no part of the claimed design. The uneven broken lines are merely provided as an illustrative boundary and do not correspond to features present on the cargo container.

1 Claim, 7 Drawing Sheets



(56)

References Cited

U.S. PATENT DOCUMENTS

D827,939	S	9/2018	Jakubowski et al.	
D863,203	S	* 10/2019	Eriksson	D12/413
10,773,881	B2	9/2020	Pherson et al.	
D911,254	S	* 2/2021	Bourassa	D12/413
2008/0042379	A1	2/2008	Amran	
2017/0080967	A1	3/2017	Atkins	
2018/0146757	A1	5/2018	Signh Johar	

* cited by examiner

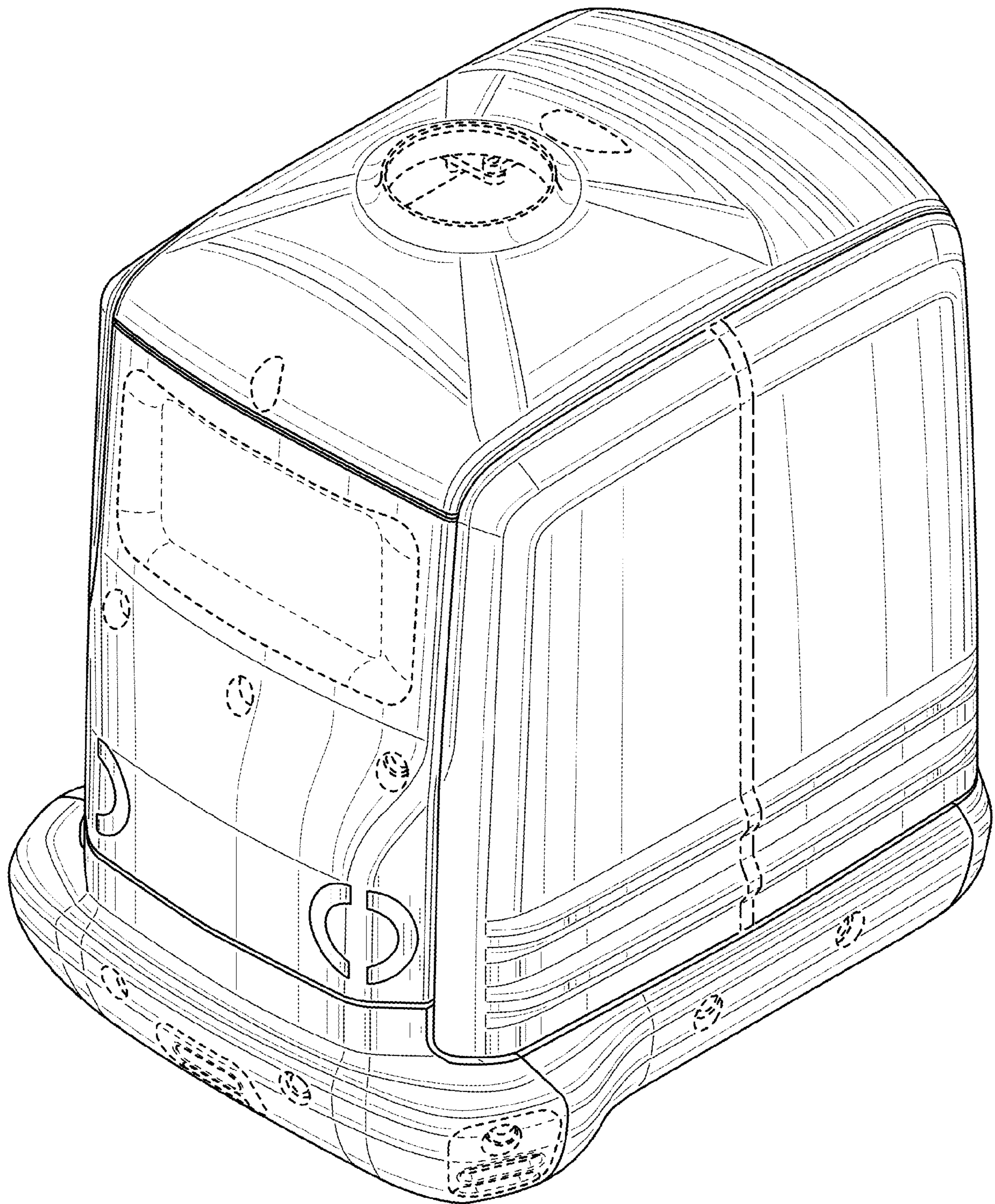


FIG. 1

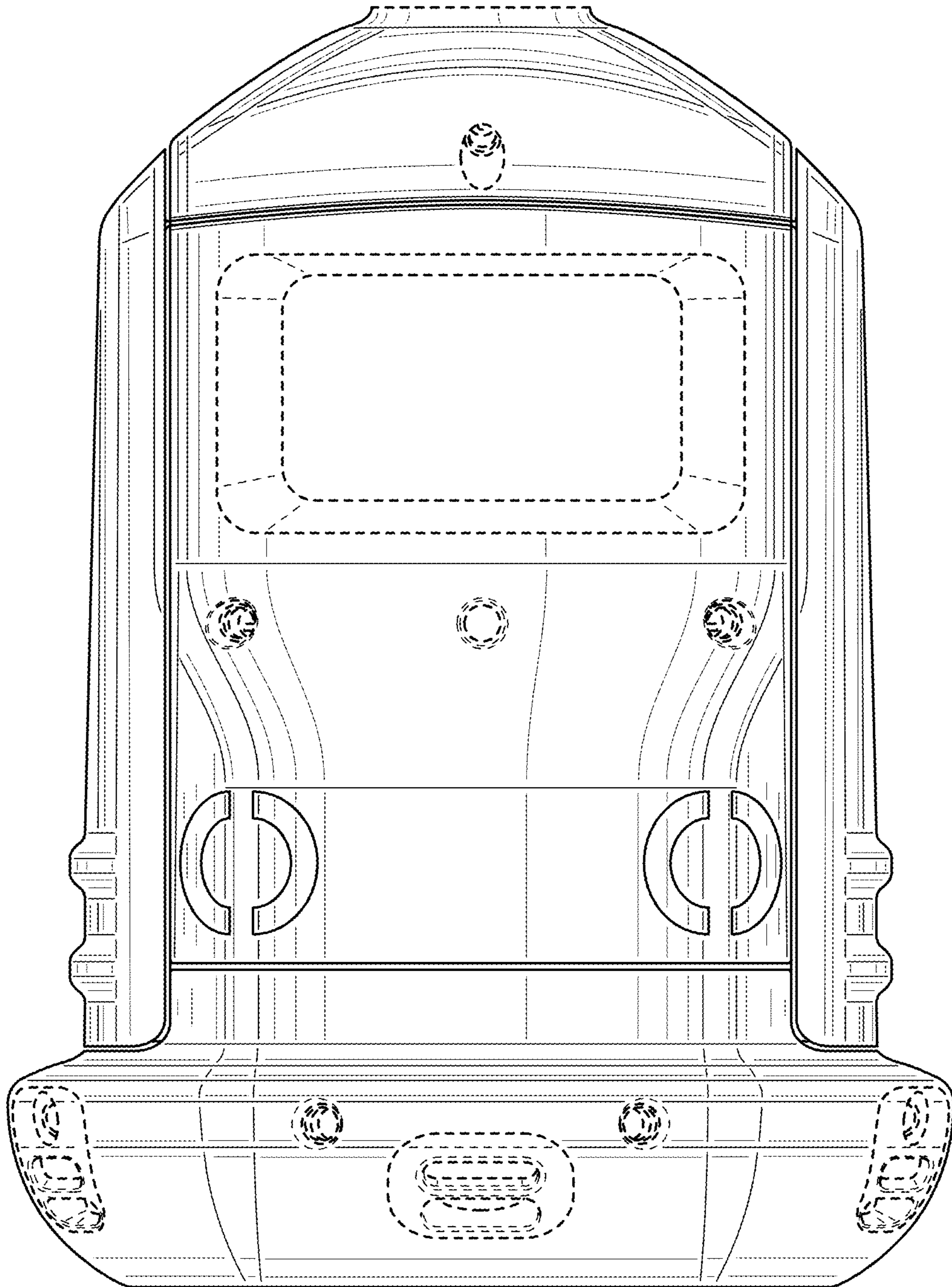


FIG. 2

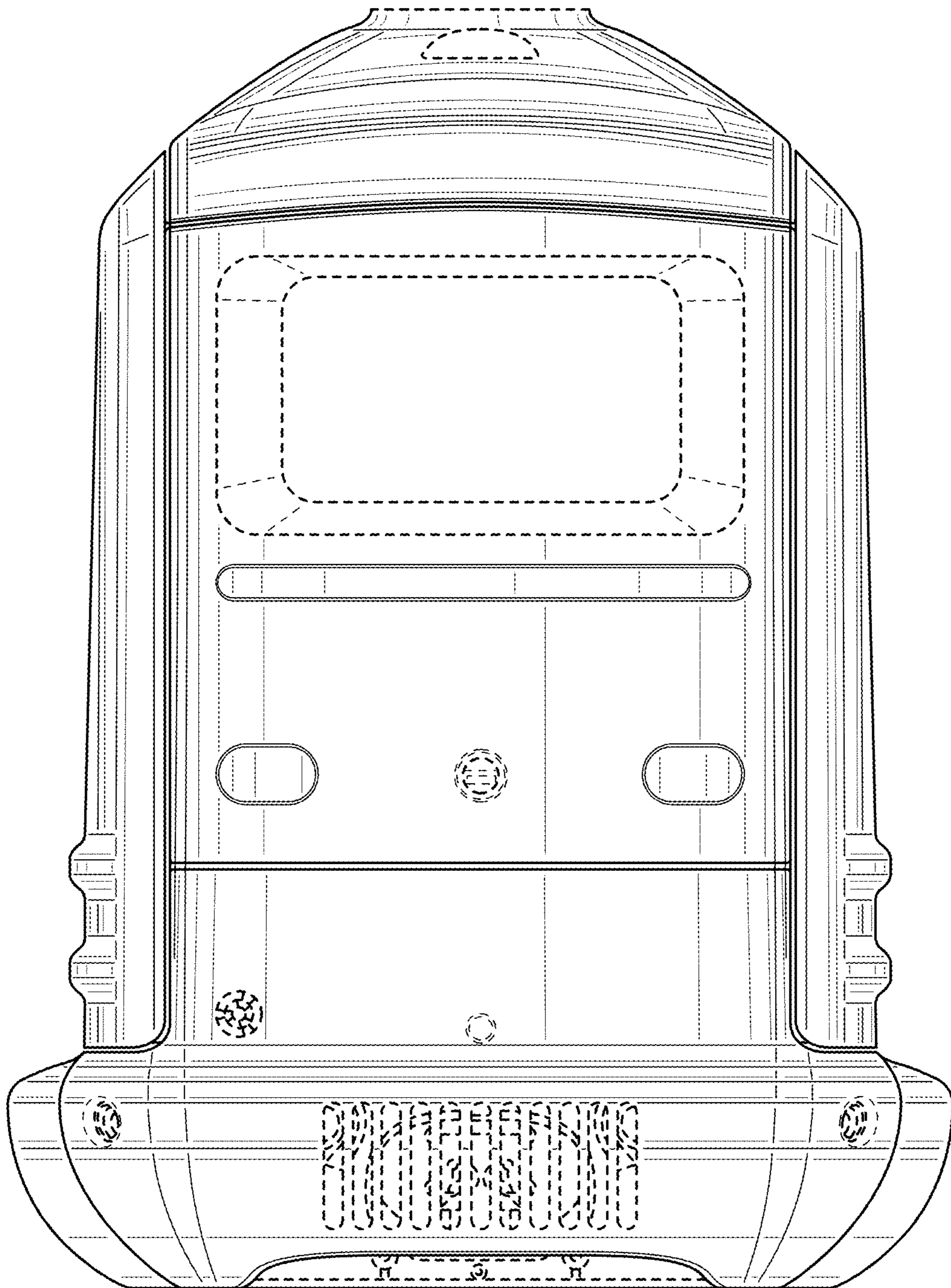


FIG. 3

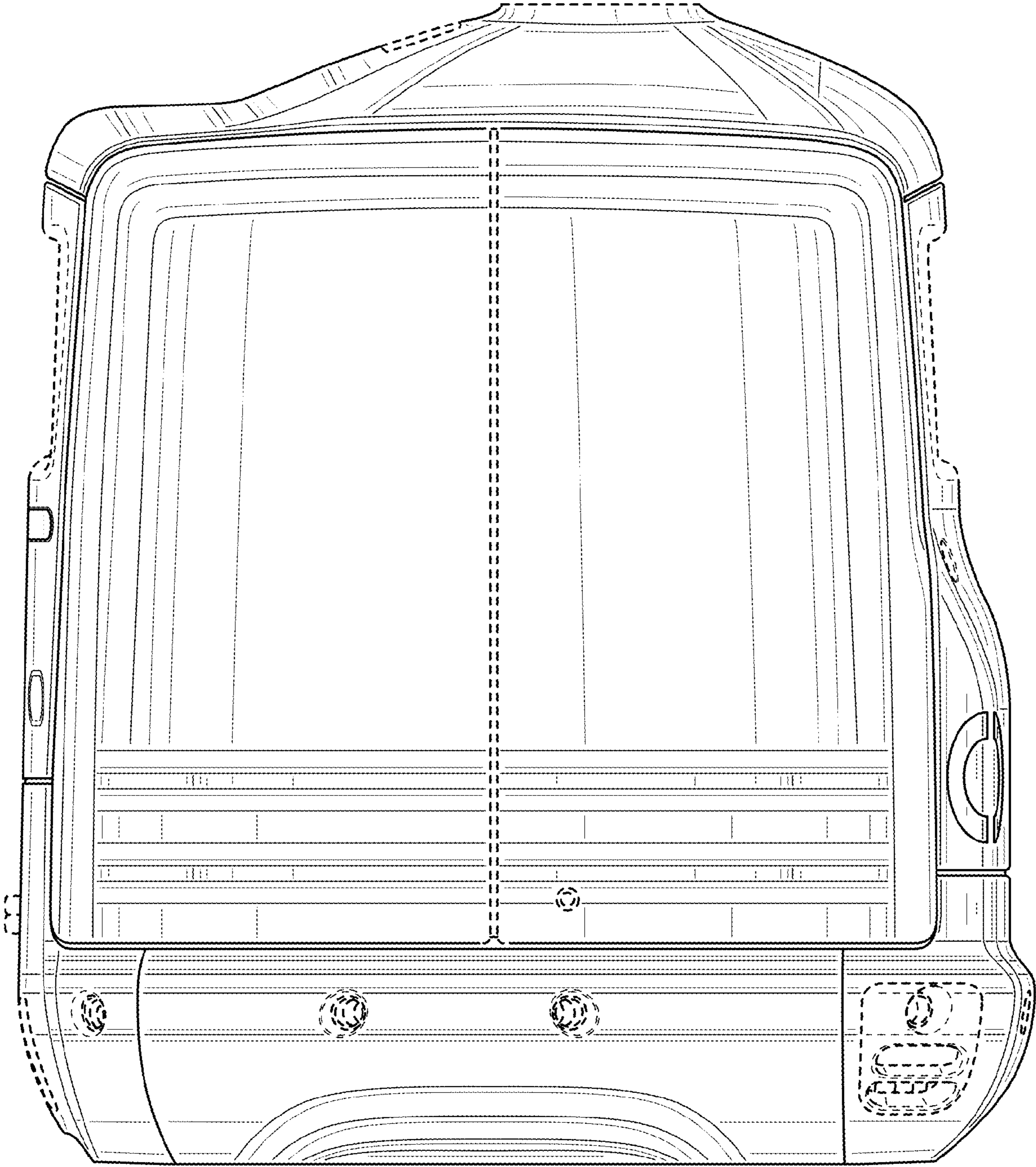


FIG. 4

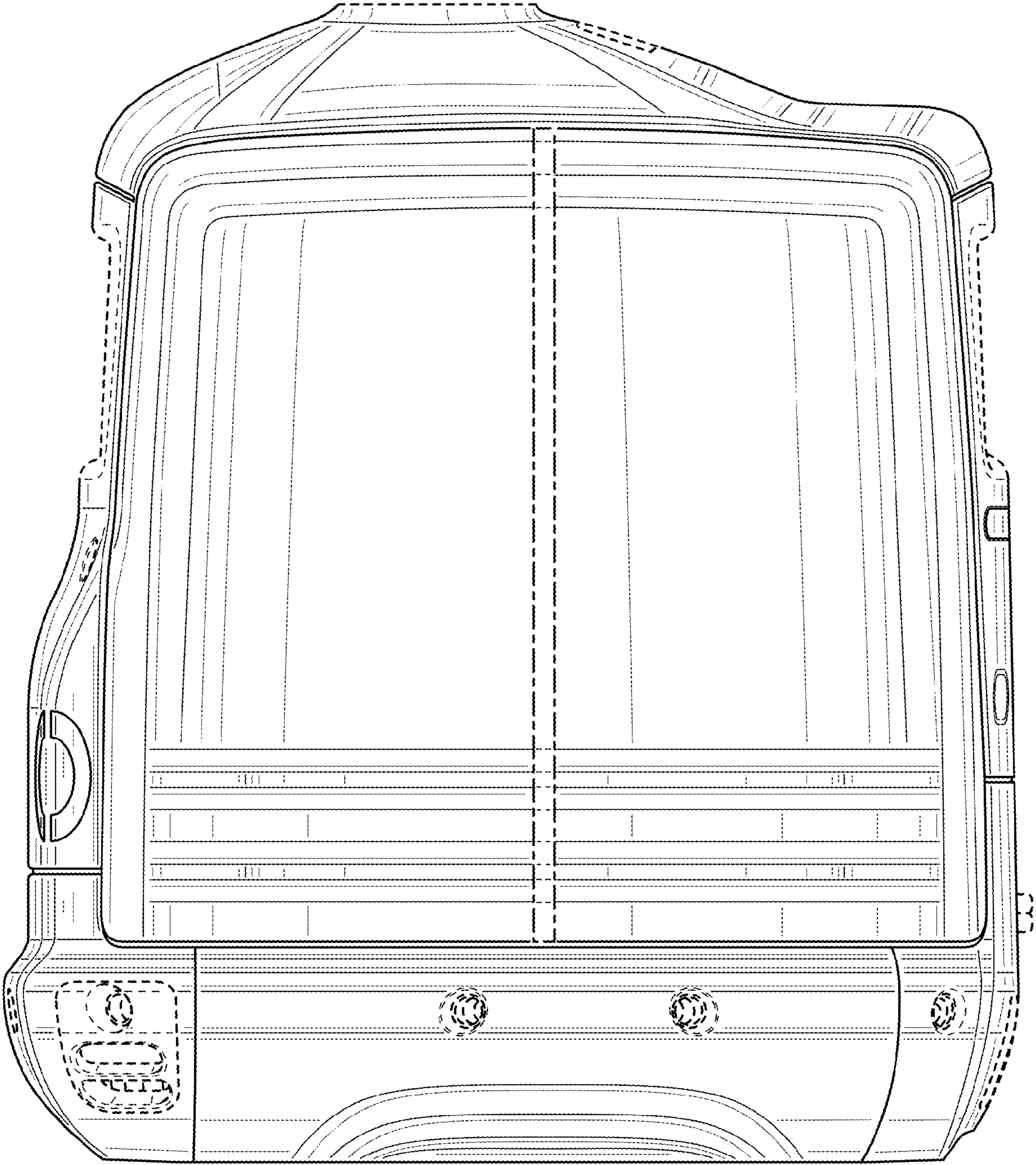


FIG. 5

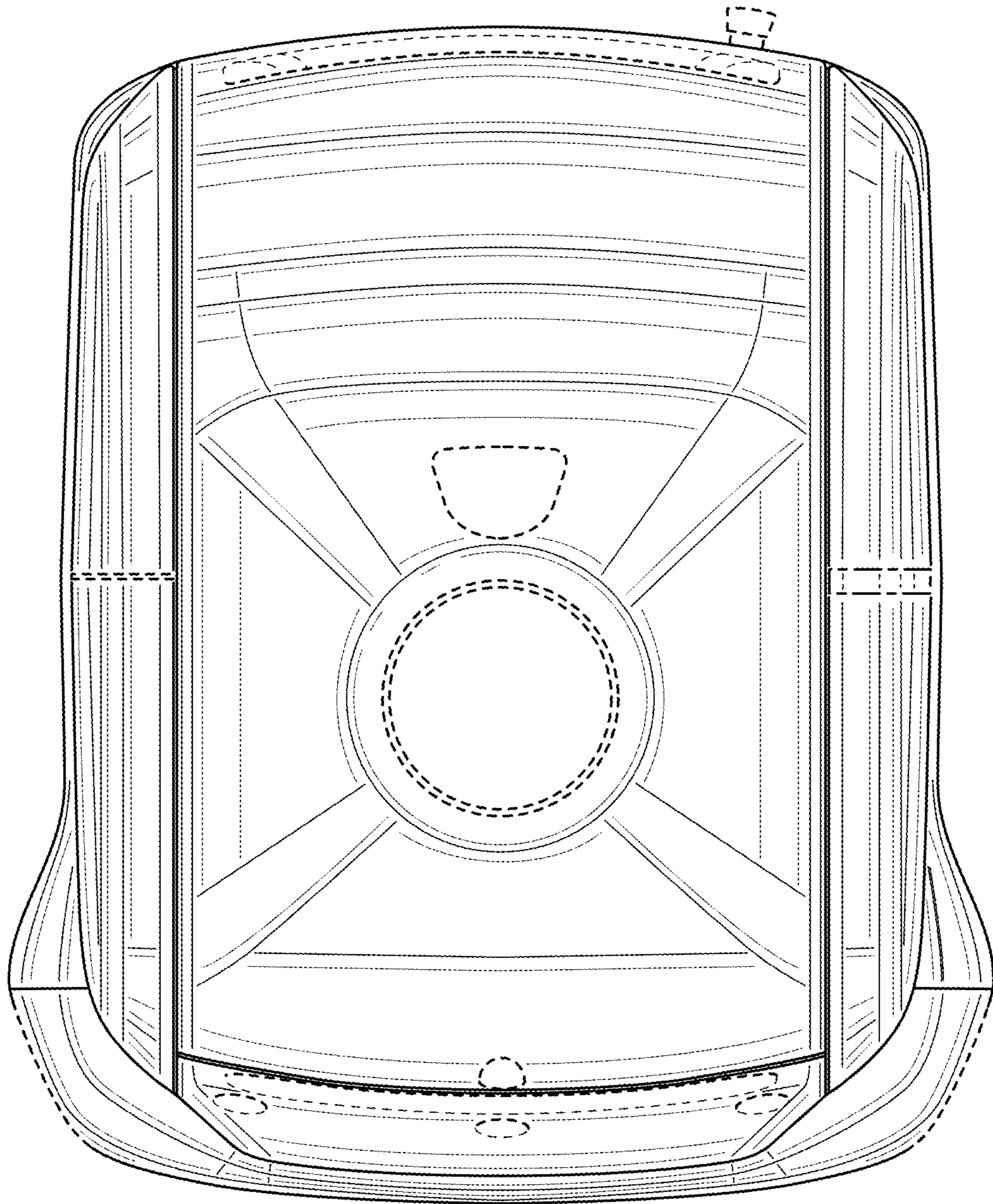


FIG. 6

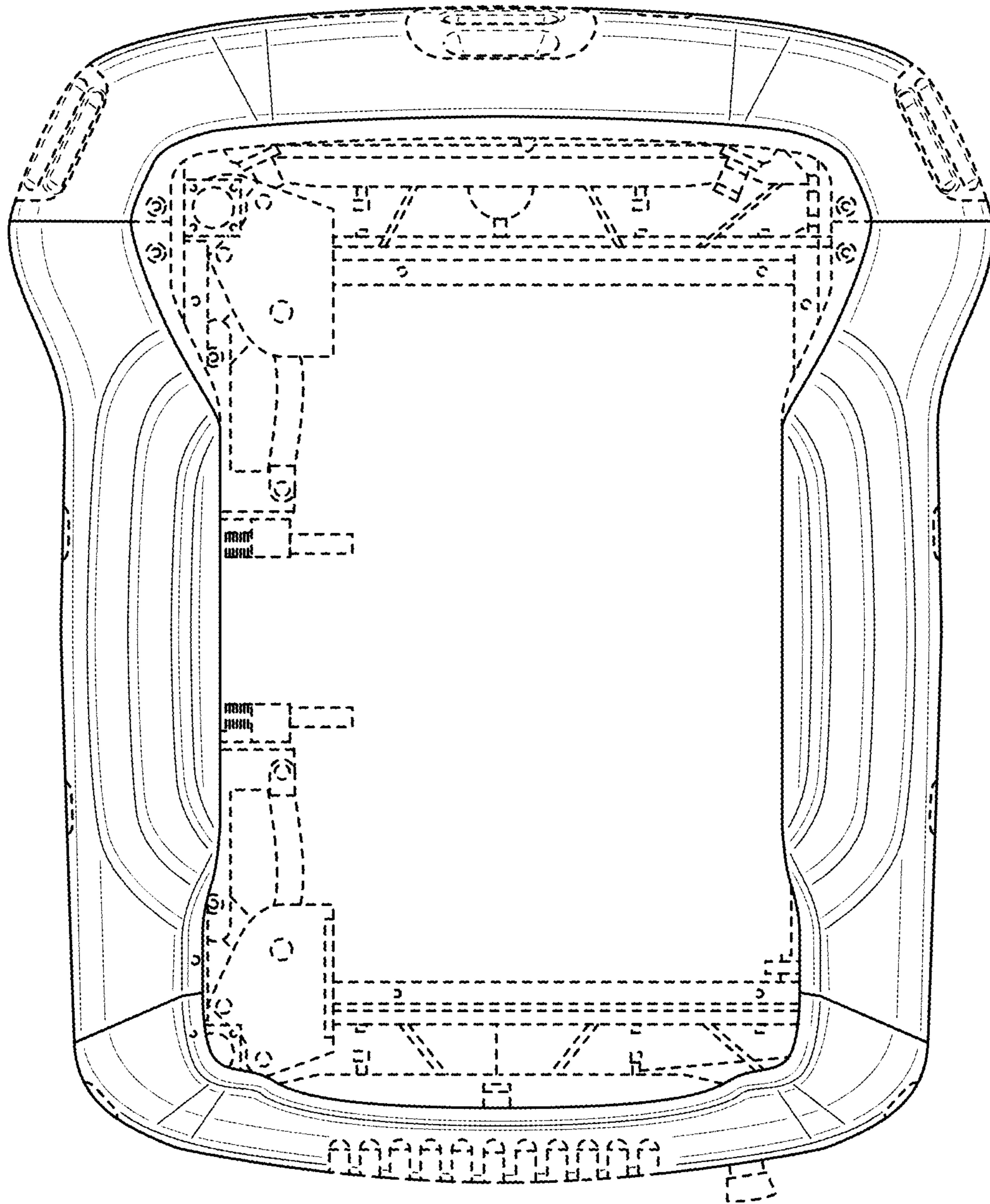


FIG. 7