



US00D936558S

(12) **United States Design Patent**
Bleakley

(10) **Patent No.:** **US D936,558 S**

(45) **Date of Patent:** **** Nov. 23, 2021**

(54) **BOAT**

(71) Applicant: **Joseph Eric Bleakley**, Jacobs Well
(AU)

(72) Inventor: **Joseph Eric Bleakley**, Jacobs Well
(AU)

(**) Term: **15 Years**

(21) Appl. No.: **29/714,150**

(22) Filed: **Nov. 21, 2019**

(30) **Foreign Application Priority Data**

May 23, 2019 (AU) 201912803

(51) **LOC (13) Cl.** **29-02**

(52) **U.S. Cl.**
USPC **D12/300**

(58) **Field of Classification Search**
USPC D12/300, 302, 303, 304, 306, 307, 310,
D12/311, 312, 313, 314, 316; D21/542,
D21/760
CPC B63B 2035/002; B63B 2035/004; B63B
34/00; B63B 34/05; B63B 35/00
See application file for complete search history.

(56) **References Cited**

U.S. PATENT DOCUMENTS

D138,338 S * 7/1944 Clement, Jr. D12/300
D229,238 S * 11/1973 Milne D12/300
D238,565 S * 1/1976 Palmer D12/300
D244,840 S * 6/1977 Stokes D12/300
D358,574 S * 5/1995 Thompson D12/307

6,532,889 B1 * 3/2003 Goad B63B 39/061
114/356
D677,210 S * 3/2013 Fan D12/300
D738,283 S * 9/2015 Metrot D12/300
10,085,566 B1 * 10/2018 Gallant B60N 2/22
10,336,414 B1 * 7/2019 Paull B63B 17/00
2020/0108893 A1 * 4/2020 Noah B63B 73/00

FOREIGN PATENT DOCUMENTS

GB 1406231 A * 9/1975 B63B 7/02

* cited by examiner

Primary Examiner — Christian P. McLean

Assistant Examiner — Adam C Mager

(74) *Attorney, Agent, or Firm* — Meunier Carlin &
Curfman LLC

(57) **CLAIM**

The ornamental design for a boat, as shown and described.

DESCRIPTION

FIG. 1 is a top, front, right side perspective view of a boat showing my new design.

FIG. 2 is a top view thereof.

FIG. 3 is a rear, top, right side perspective view thereof.

FIG. 4 is a front view thereof.

FIG. 5 is a side view thereof.

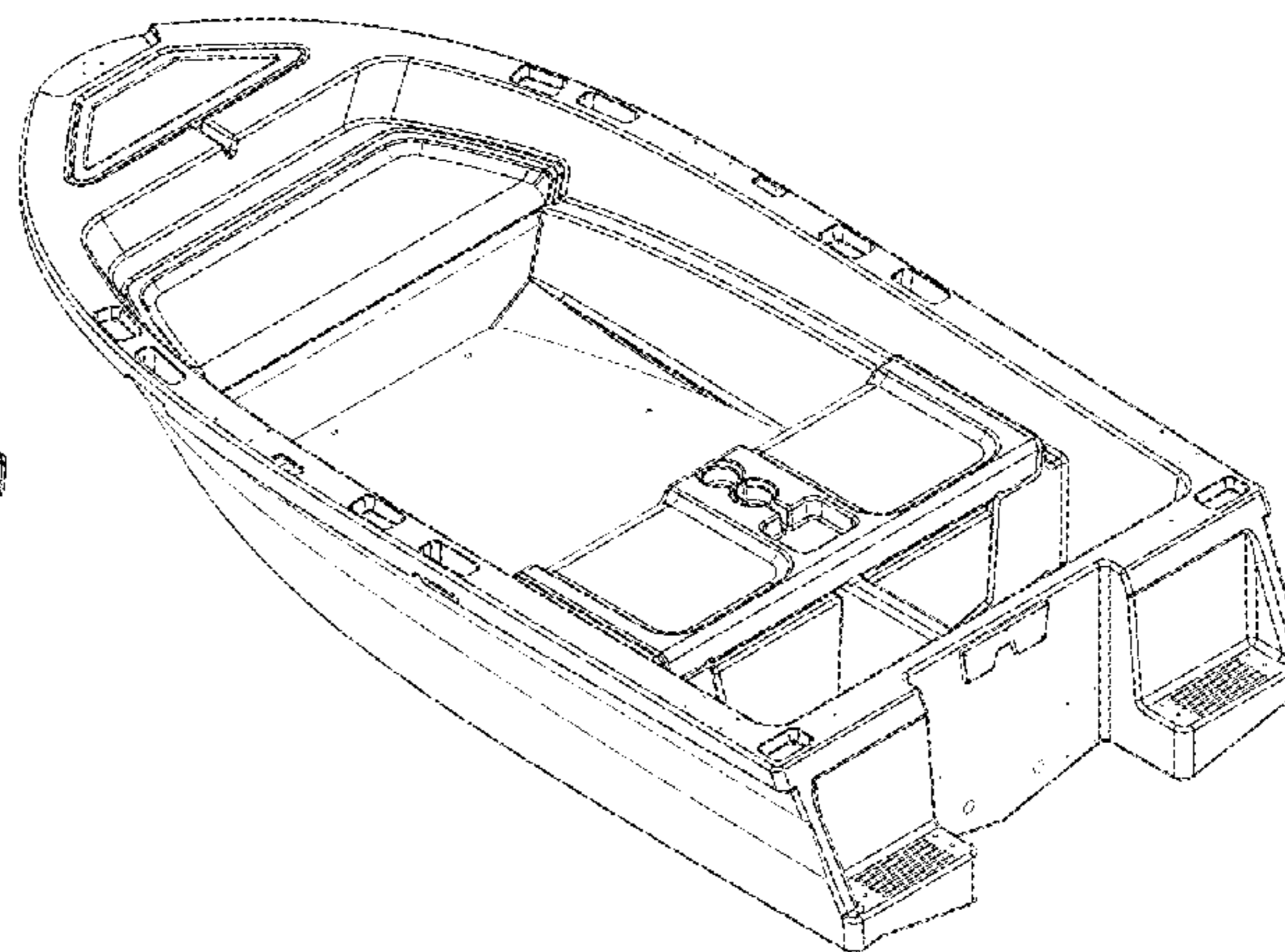
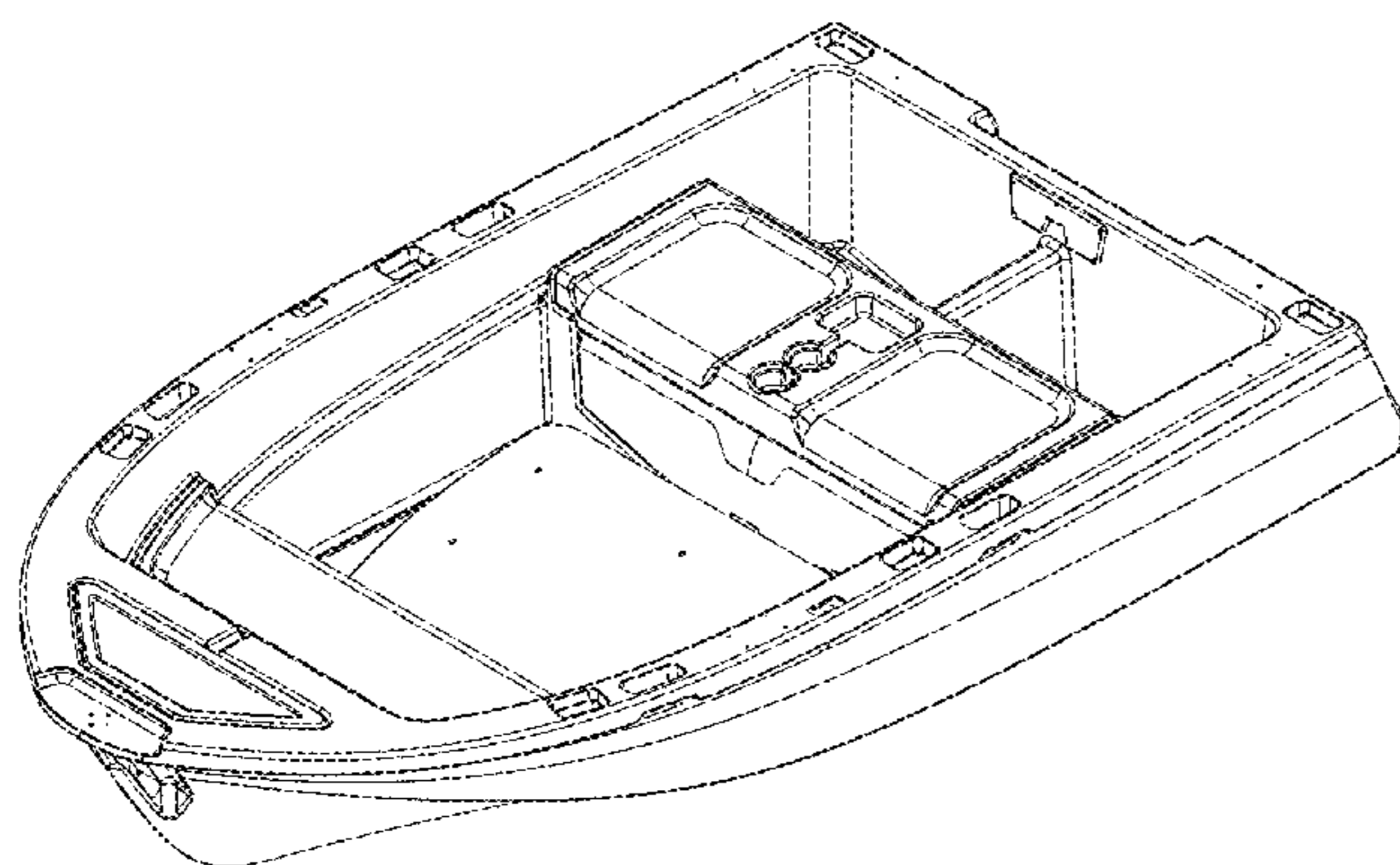
FIG. 6 is a rear view thereof.

FIG. 7 is a bottom, right side perspective view thereof.

FIG. 8 is a bottom view thereof; and,

FIG. 9 is a bottom, rear, right side perspective view thereof.

1 Claim, 9 Drawing Sheets



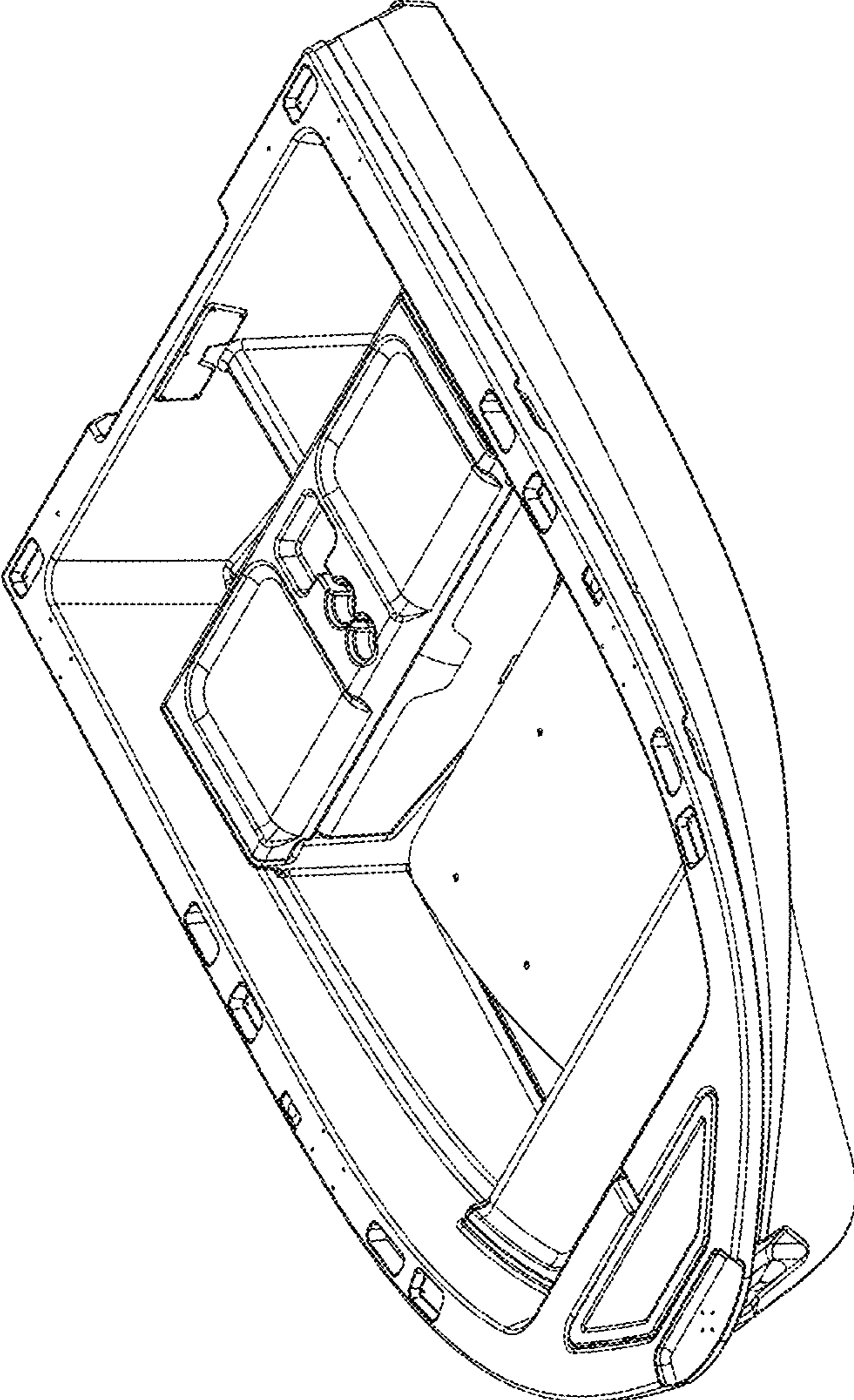


FIG. 1

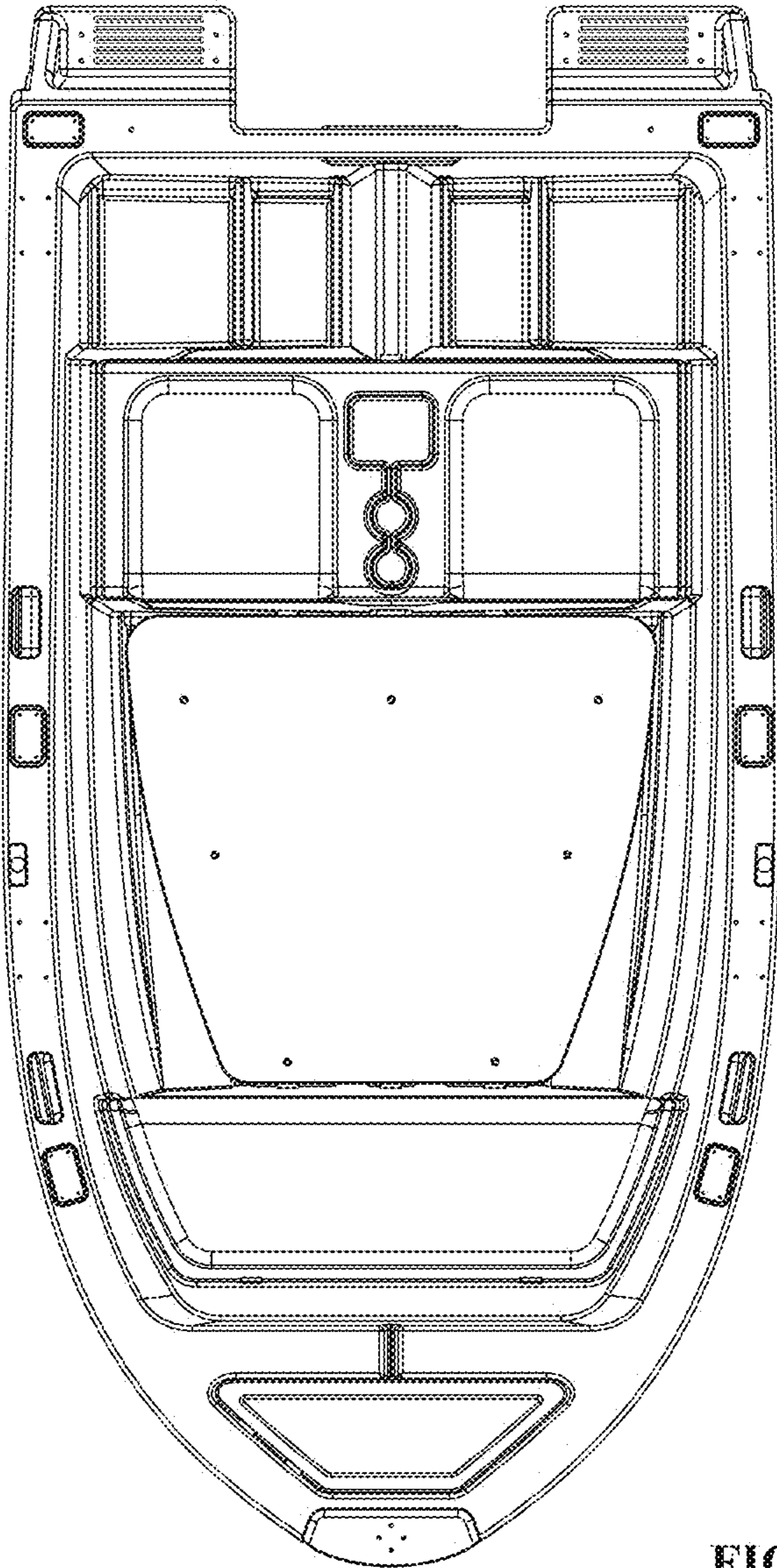


FIG. 2

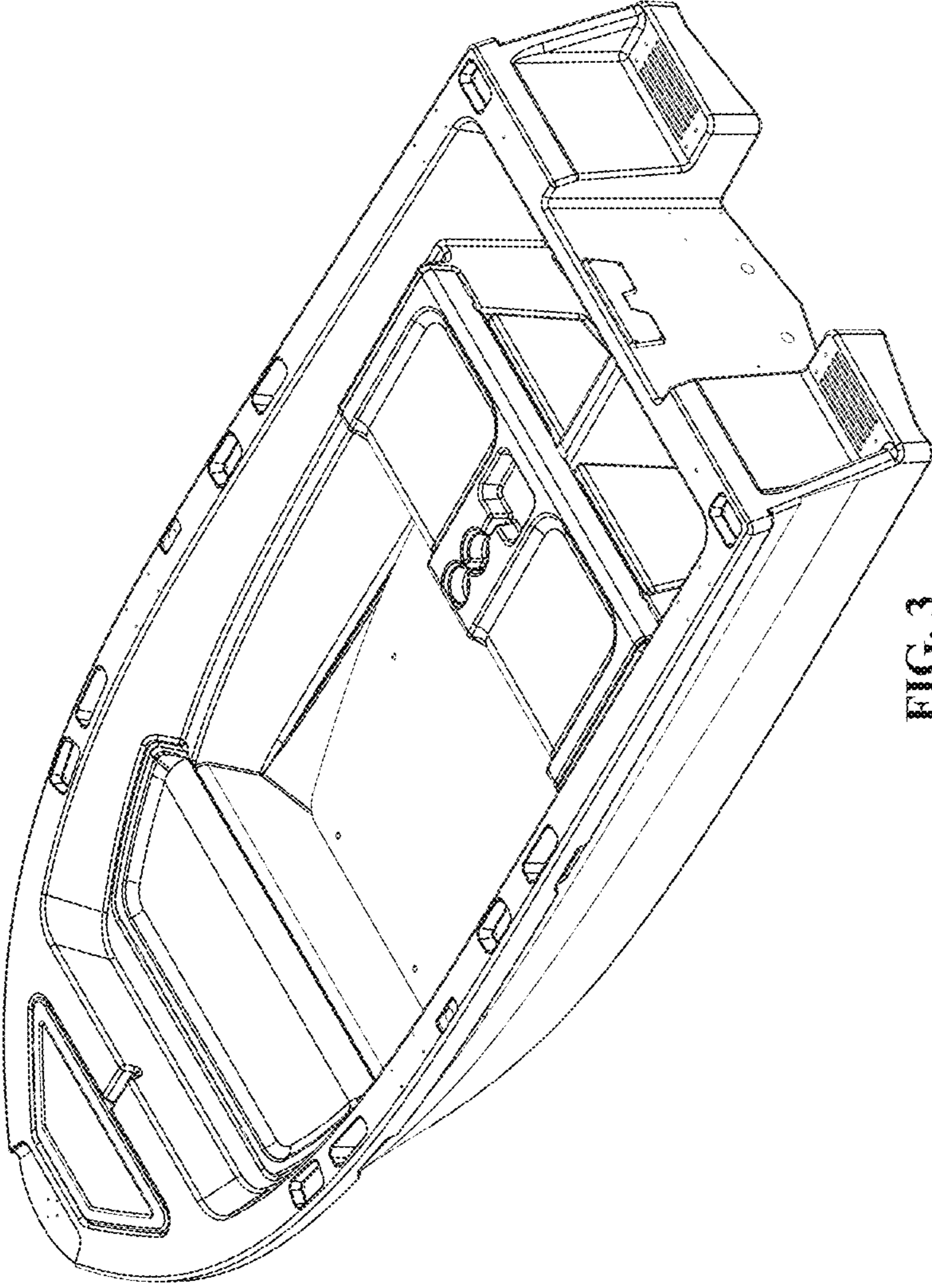


FIG. 3

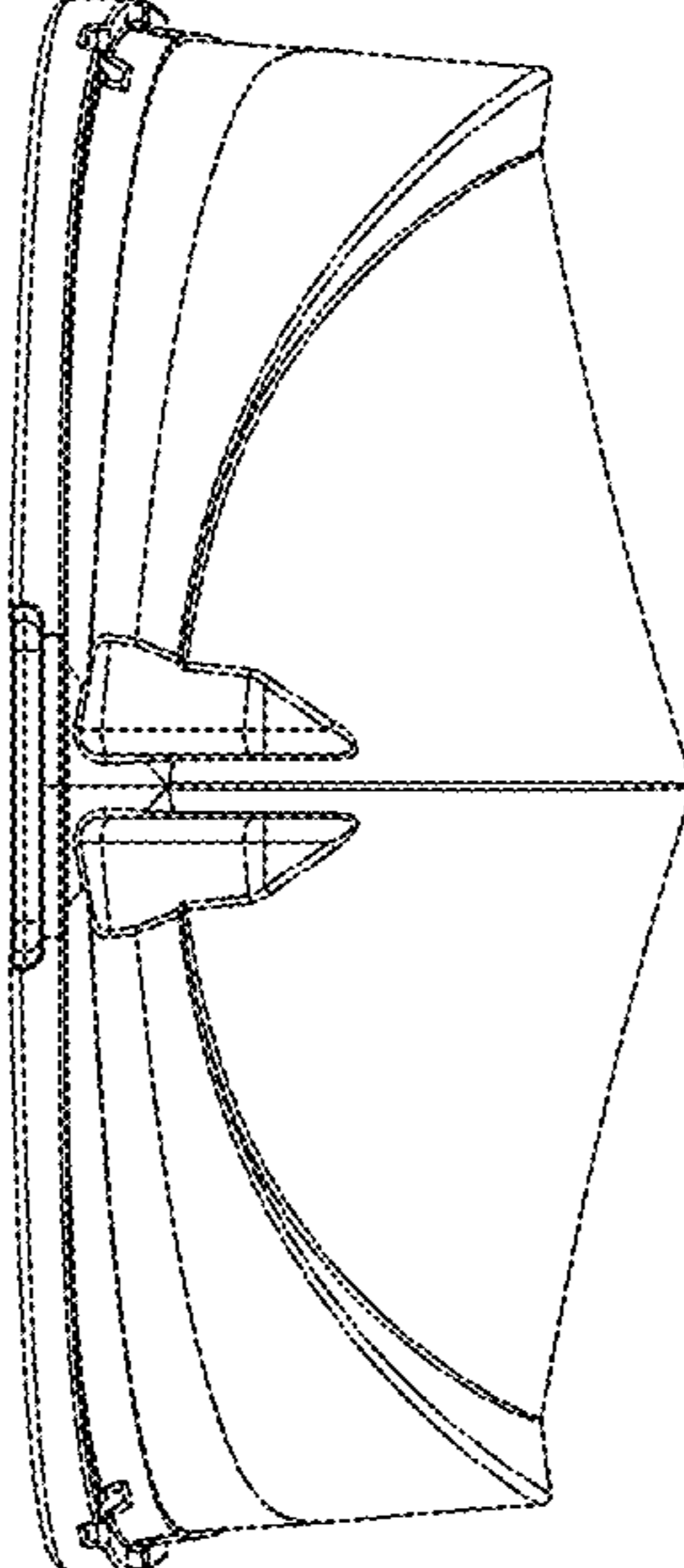


FIG. 4

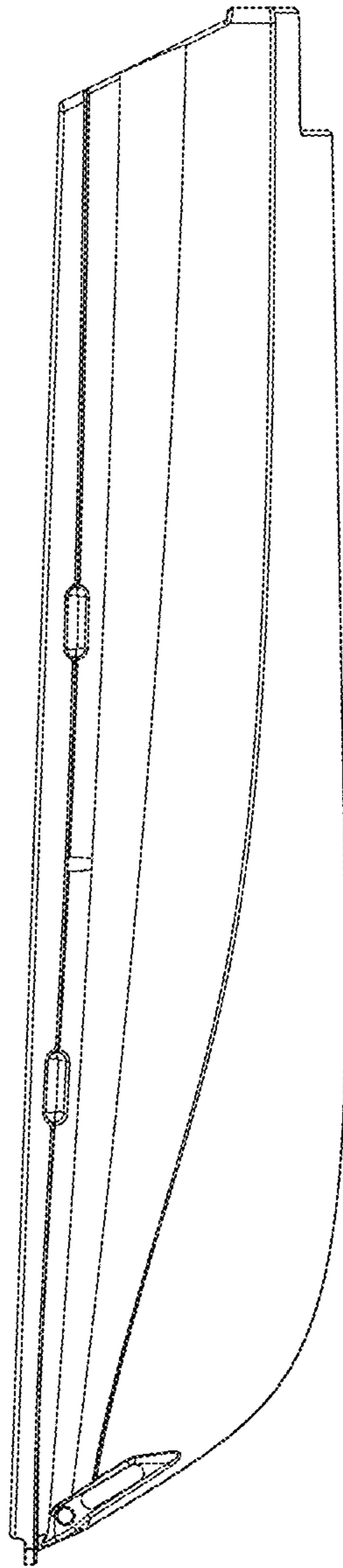


FIG. 5

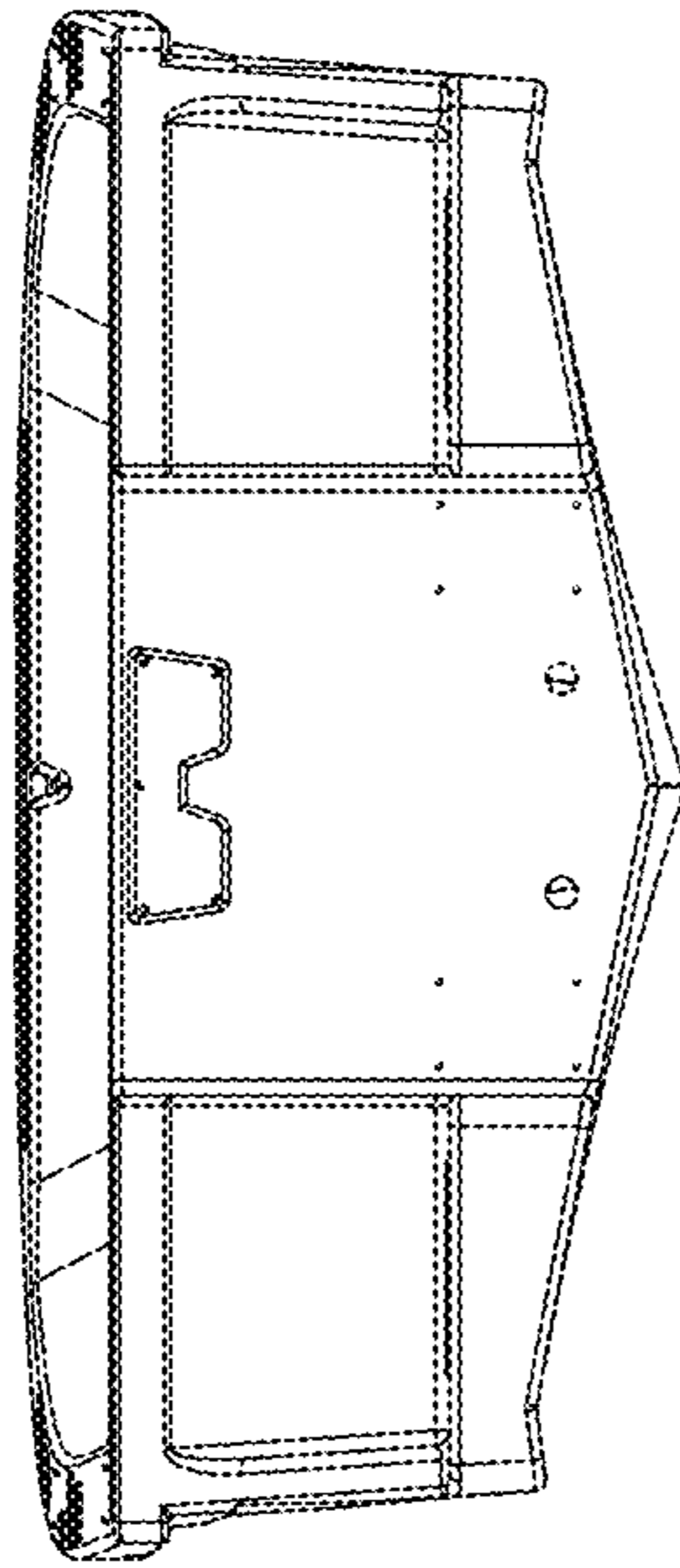


FIG. 6

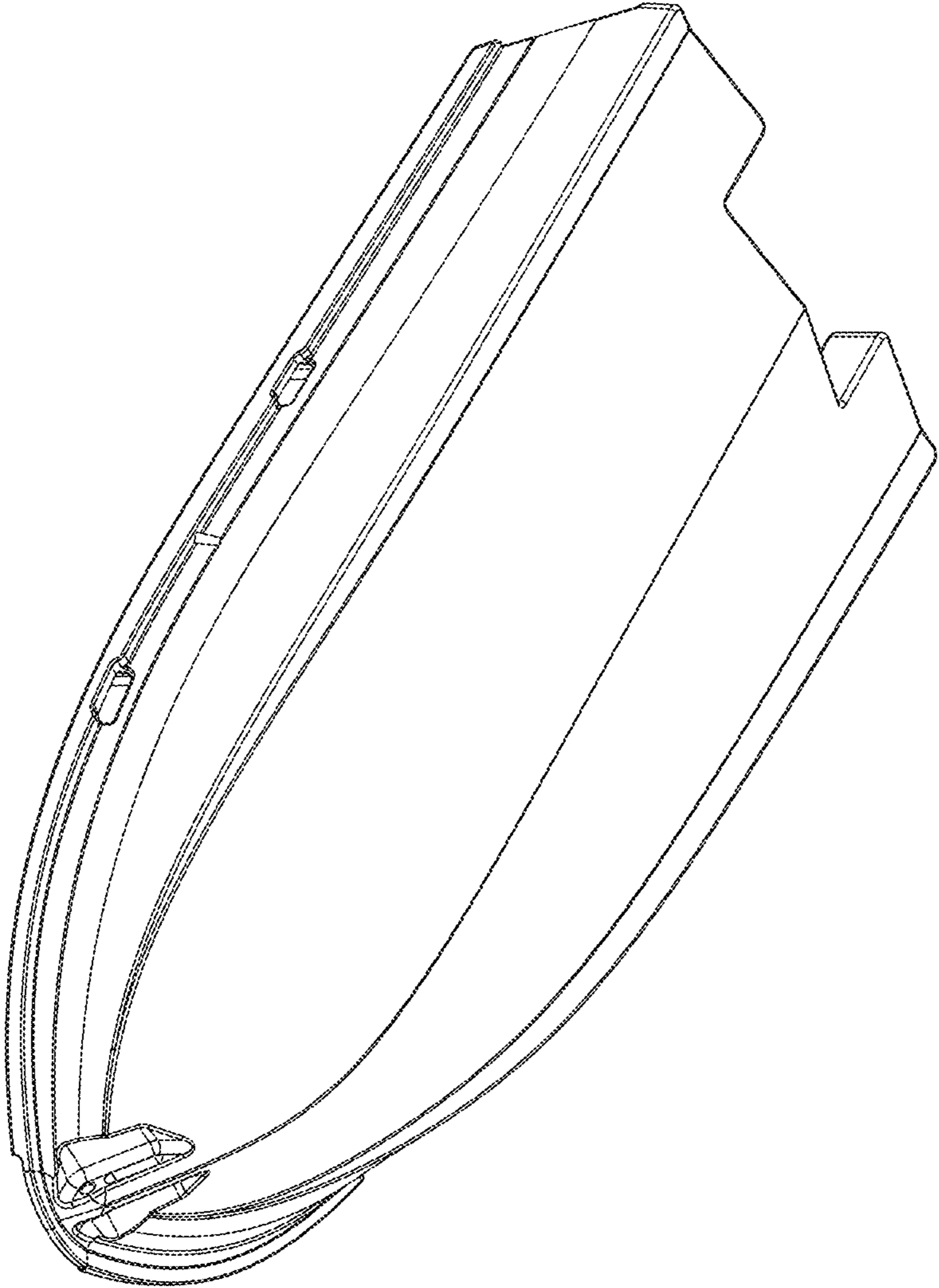


FIG. 7

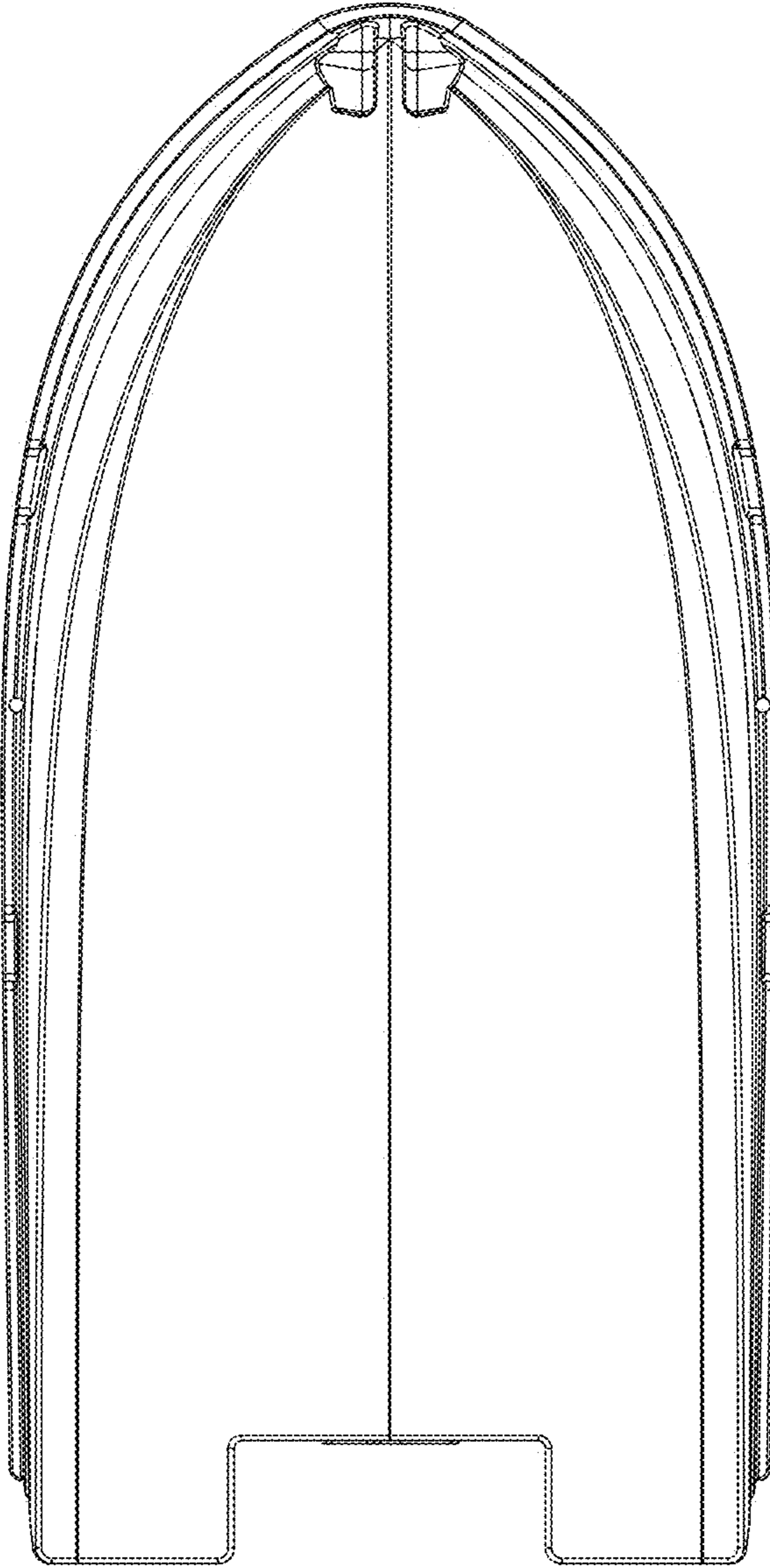


FIG. 8

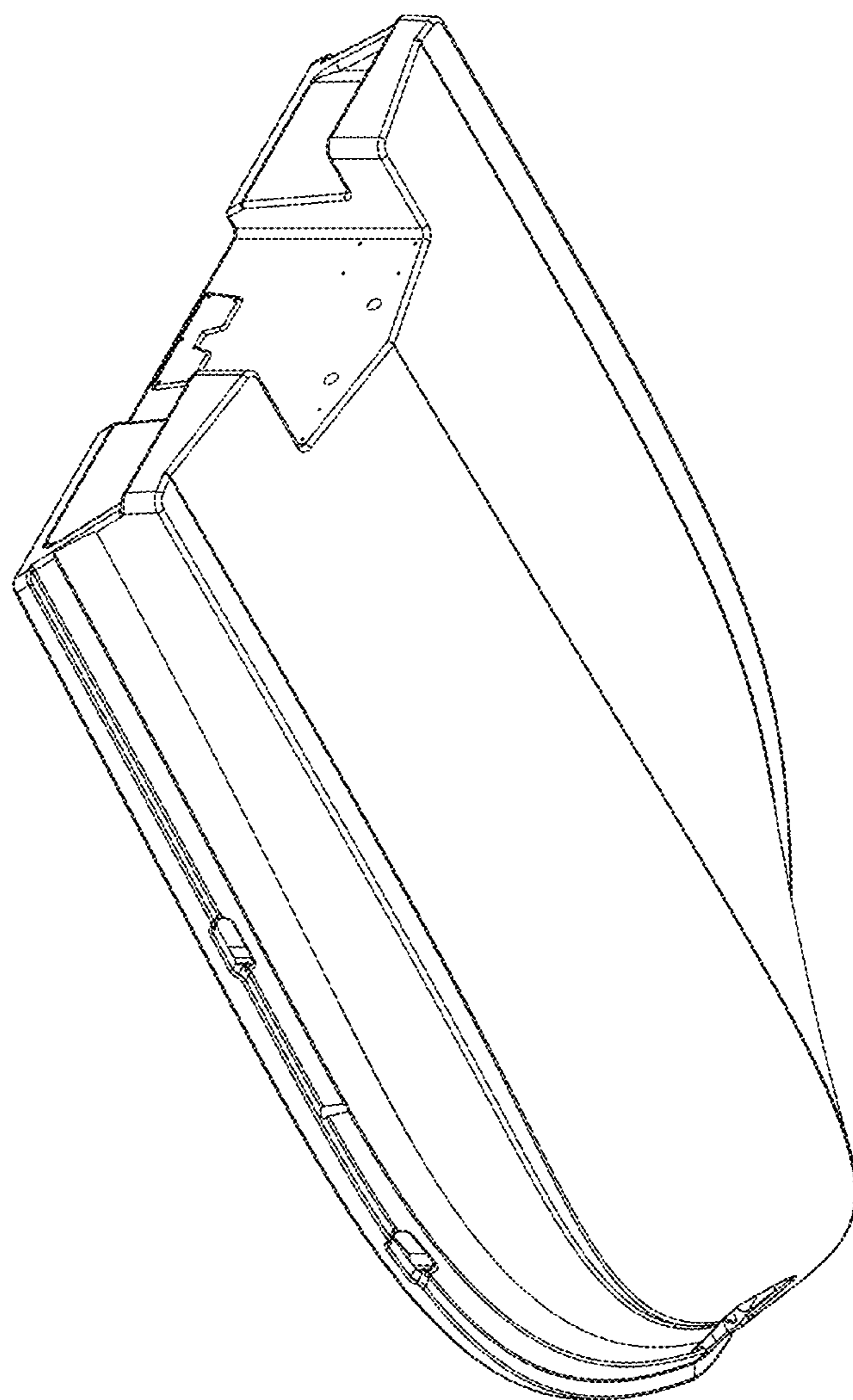


FIG. 9