

US00D936557S

(12) **United States Design Patent**  
**Widgery**

(10) **Patent No.:** **US D936,557 S**

(45) **Date of Patent:** **\*\* Nov. 23, 2021**

(54) **WHEEL CHOCK**

(71) Applicant: **CHECKERS INDUSTRIAL PRODUCTS, LLC**, Broomfield, CO (US)

(72) Inventor: **Greg Widgery**, Broomfield, CO (US)

(73) Assignee: **CHECKERS INDUSTRIAL PRODUCTS, LLC**, Broomfield, CO (US)

(\*\*) Term: **15 Years**

(21) Appl. No.: **29/716,151**

(22) Filed: **Dec. 6, 2019**

(51) **LOC (13) Cl.** ..... **12-16**

(52) **U.S. Cl.**  
USPC ..... **D12/217**

(58) **Field of Classification Search**  
USPC ..... D12/217, 400, 223, 106; D34/31, 32;  
D25/102, 113; D8/354

See application file for complete search history.

(56) **References Cited**

**U.S. PATENT DOCUMENTS**

2,797,774 A	7/1957	Richard	
2,848,070 A	8/1958	Wilson	
3,189,127 A	6/1965	Karnow et al.	
3,265,159 A	8/1966	Worden	
D215,325 S *	9/1969	Merlo	D12/217
3,664,466 A	5/1972	Rotheiser	
3,800,917 A	4/1974	Vick	
3,819,138 A	6/1974	Rehkopf et al.	
D235,332 S *	6/1975	Richilano	D12/217
4,134,610 A	1/1979	Lindewall	
4,144,951 A	3/1979	Rea	

4,321,989 A	3/1982	Meinzer	
4,917,219 A	4/1990	Henry	
D316,243 S *	4/1991	Henry	D12/217
D493,408 S *	7/2004	Chrisco	D12/217
D531,568 S *	11/2006	Davidian	D12/217
D644,159 S *	8/2011	Marcum	D12/217
D656,881 S *	4/2012	Beranek	D12/217
D656,882 S *	4/2012	Beranek	D12/217
D662,026 S *	6/2012	Beranek	D12/217
D673,106 S *	12/2012	Rossmann	D12/217
D855,005 S *	7/2019	Delancey	D12/217
D860,107 S *	9/2019	Bilgin	D12/217
11,046,298 B1 *	6/2021	Desmarais	B60T 3/00
D926,104 S *	7/2021	Nichols	D12/217
D928,065 S *	8/2021	McGugan	D12/217

\* cited by examiner

*Primary Examiner* — Stacia A Cadmus

(74) *Attorney, Agent, or Firm* — Dorsey & Whitney LLP

(57) **CLAIM**

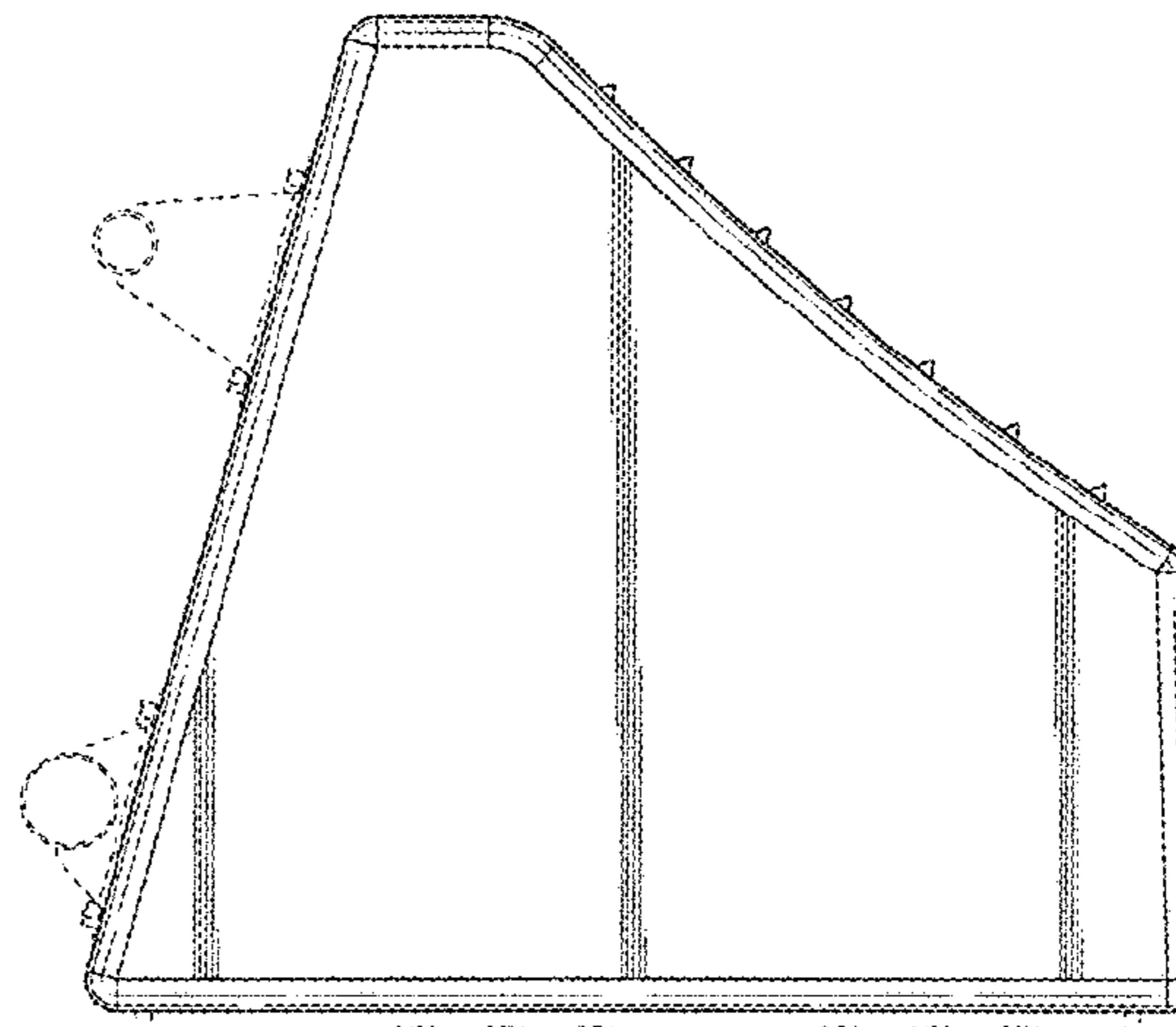
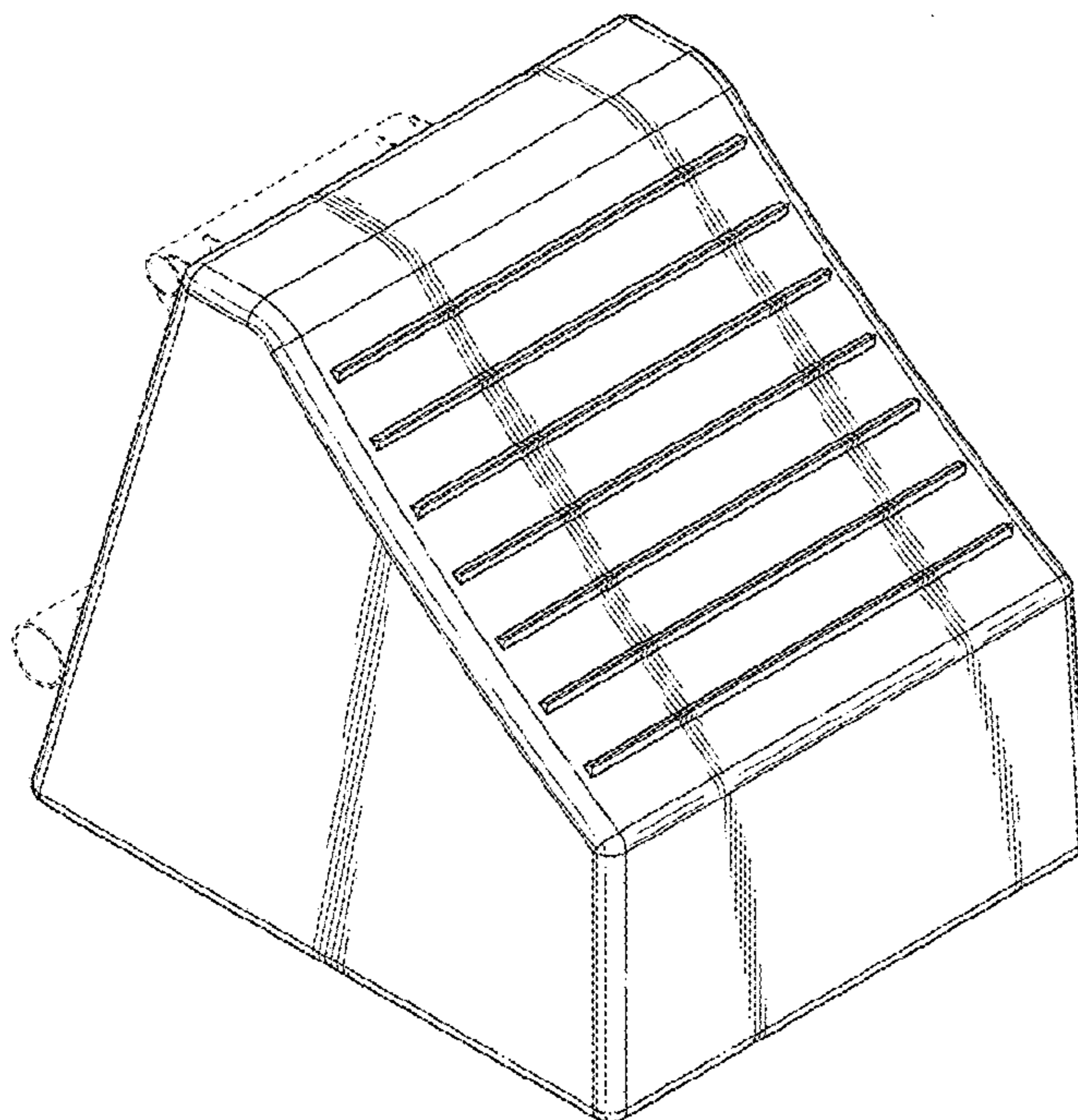
The ornamental design for a wheel chock, as shown and described.

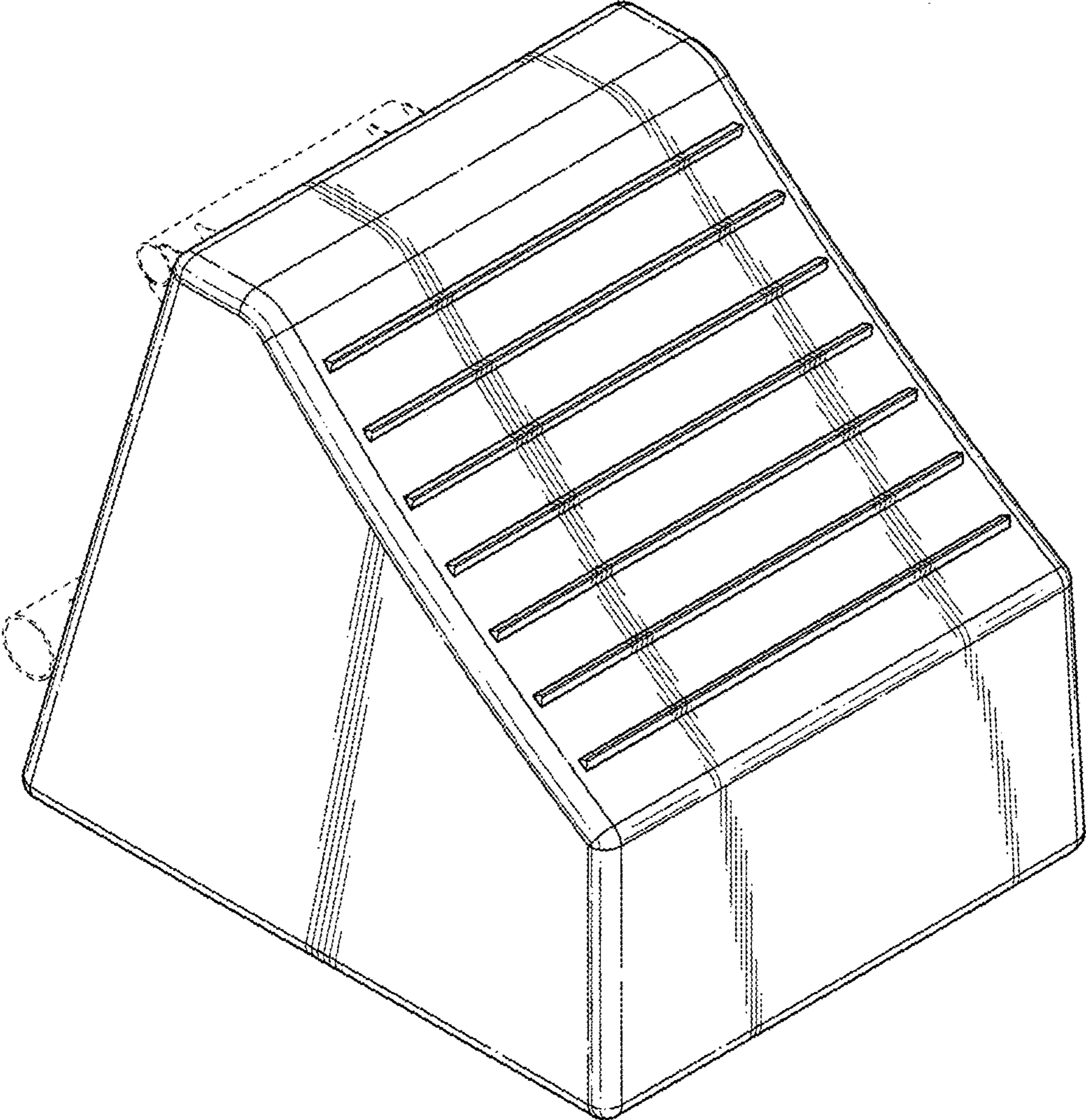
**DESCRIPTION**

FIG. 1 is a perspective view of a wheel chock showing my new design;  
FIG. 2 is a bottom perspective view thereof;  
FIG. 3 is a front elevation view thereof;  
FIG. 4 is a rear view thereof;  
FIG. 5 is a right side elevation view thereof;  
FIG. 6 is a left side elevation view thereof;  
FIG. 7 is a top view thereof; and,  
FIG. 8 is a bottom view thereof.

In the drawings, the broken lines depict portions of the wheel chock that form no part of the claimed design.

**1 Claim, 5 Drawing Sheets**





**FIG. 1**



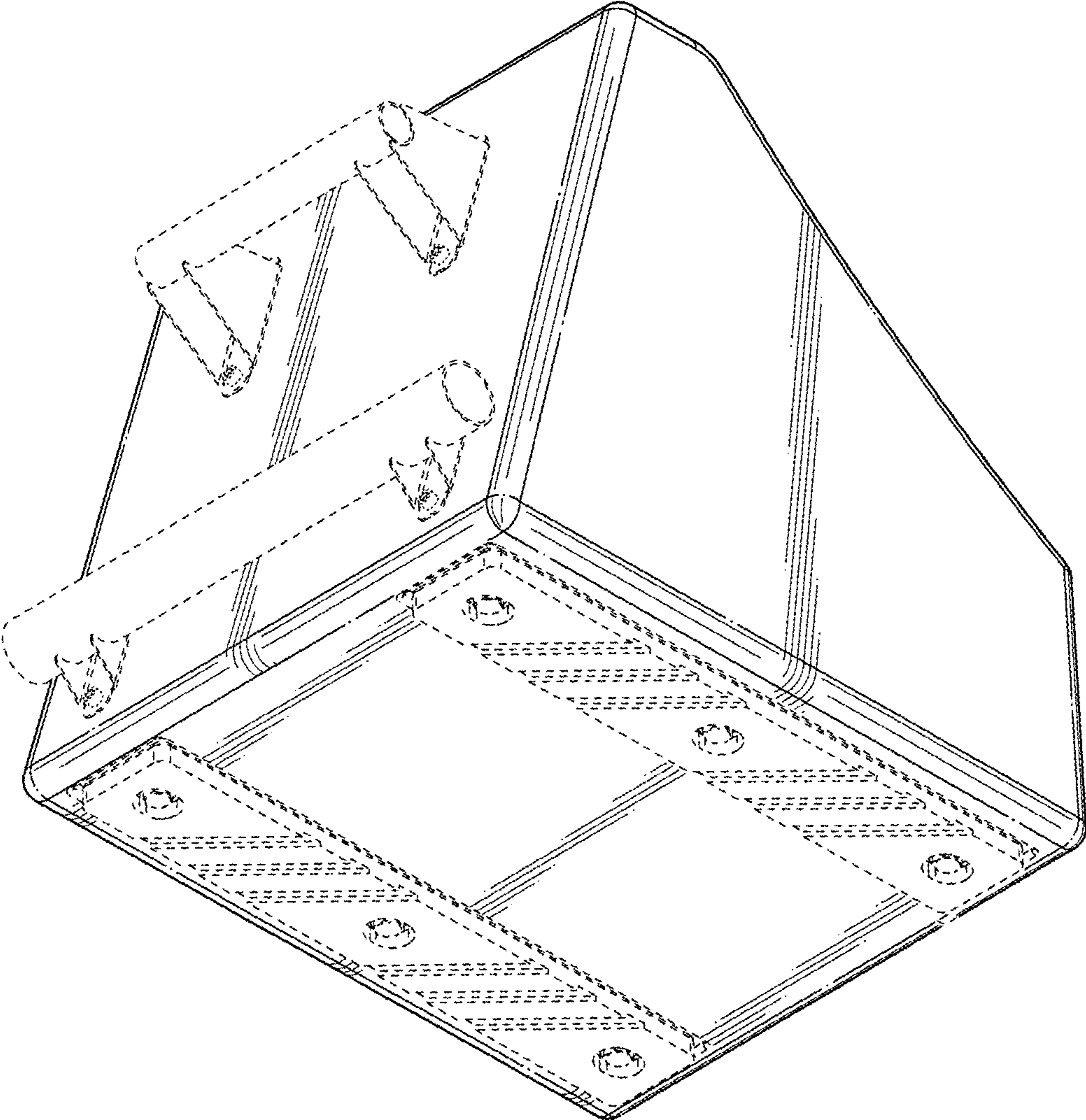
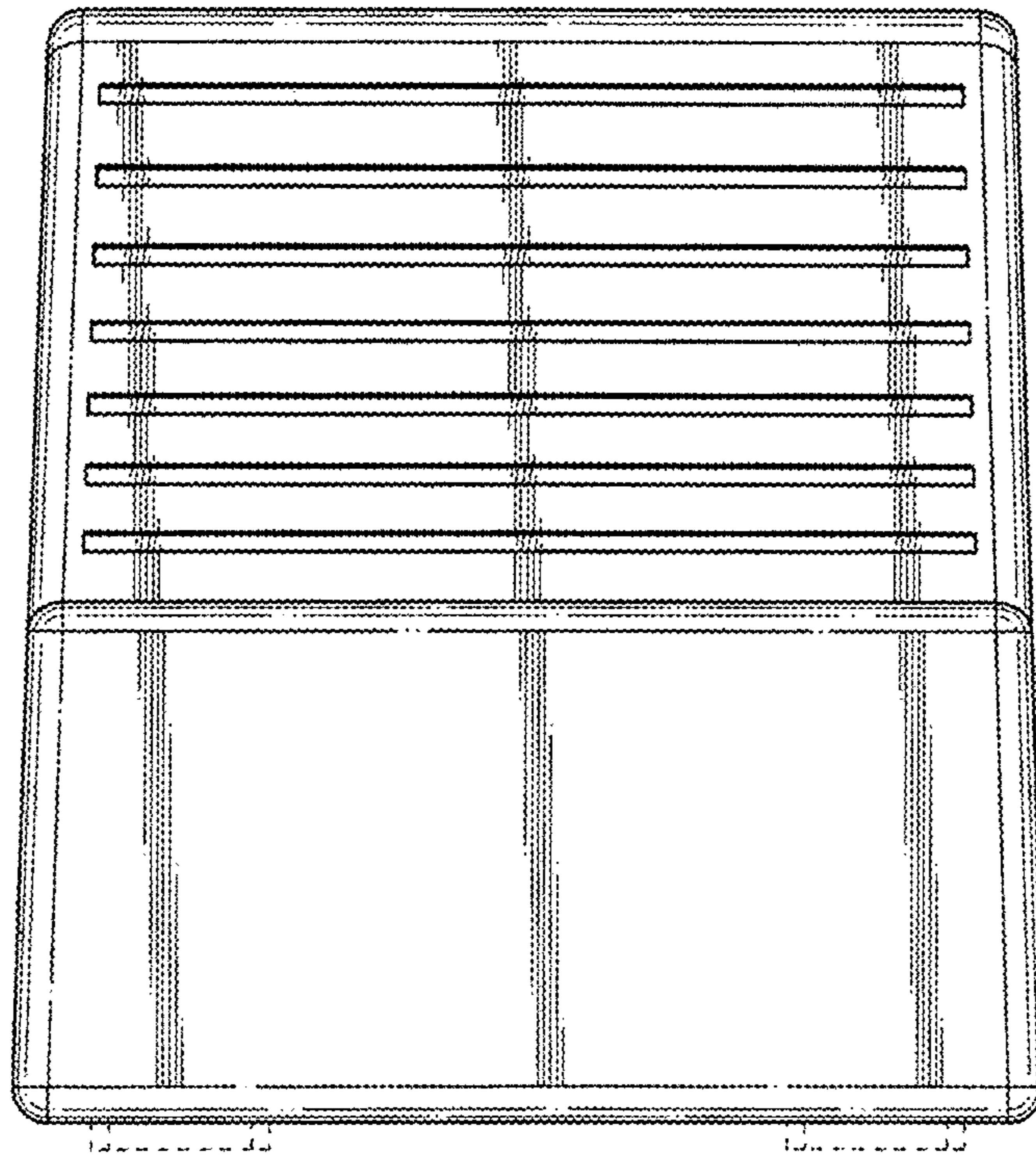
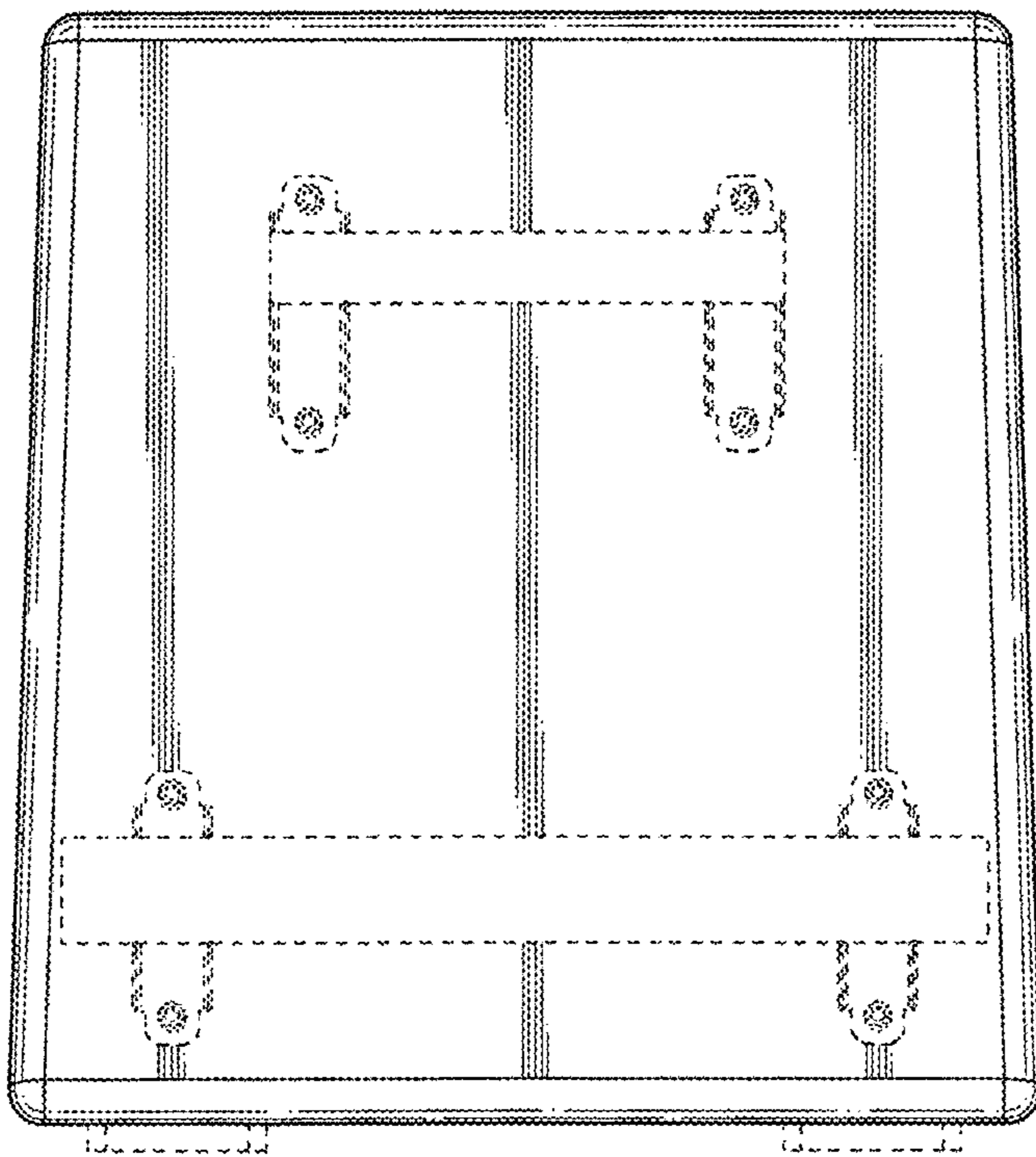


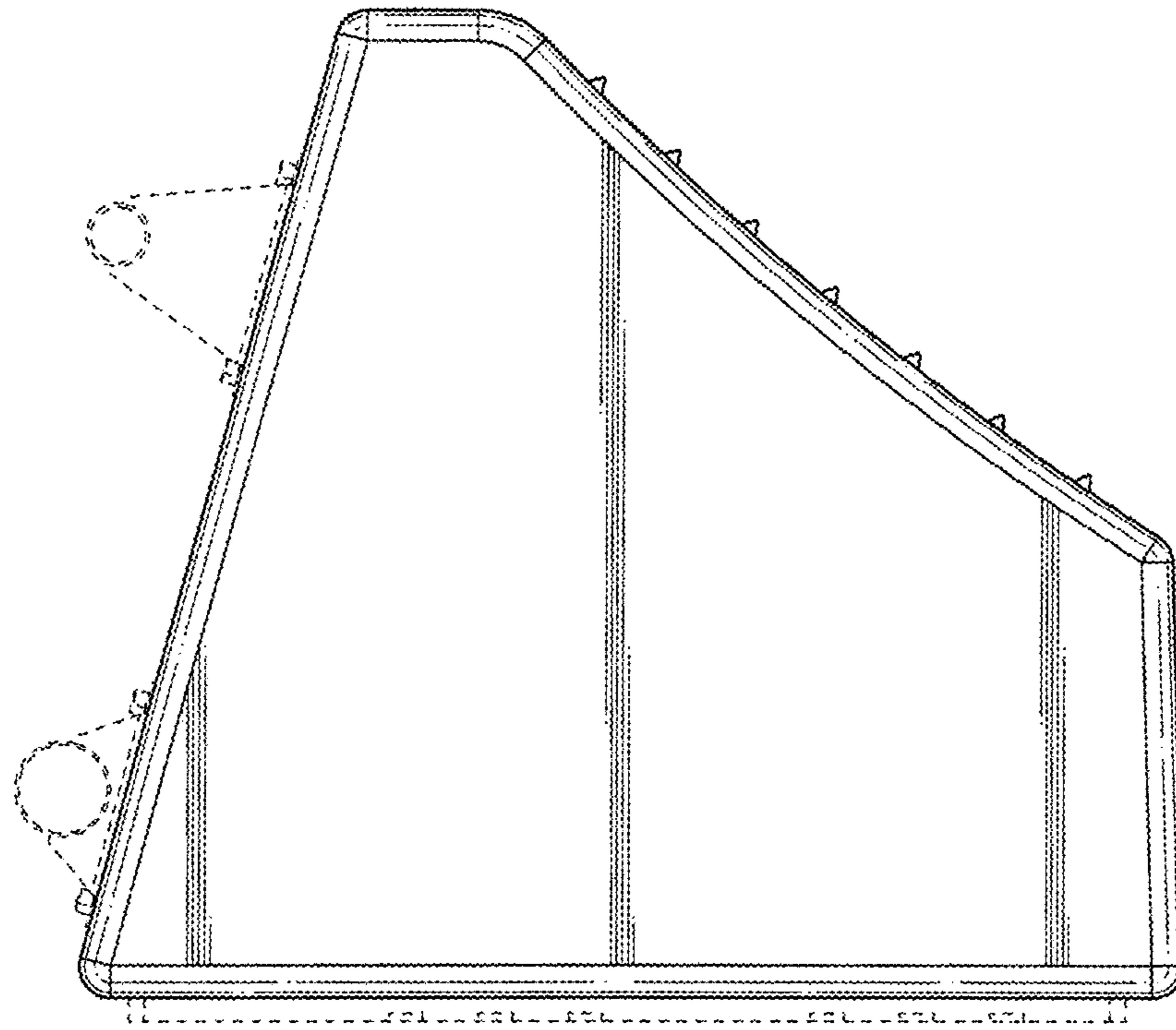
FIG. 2



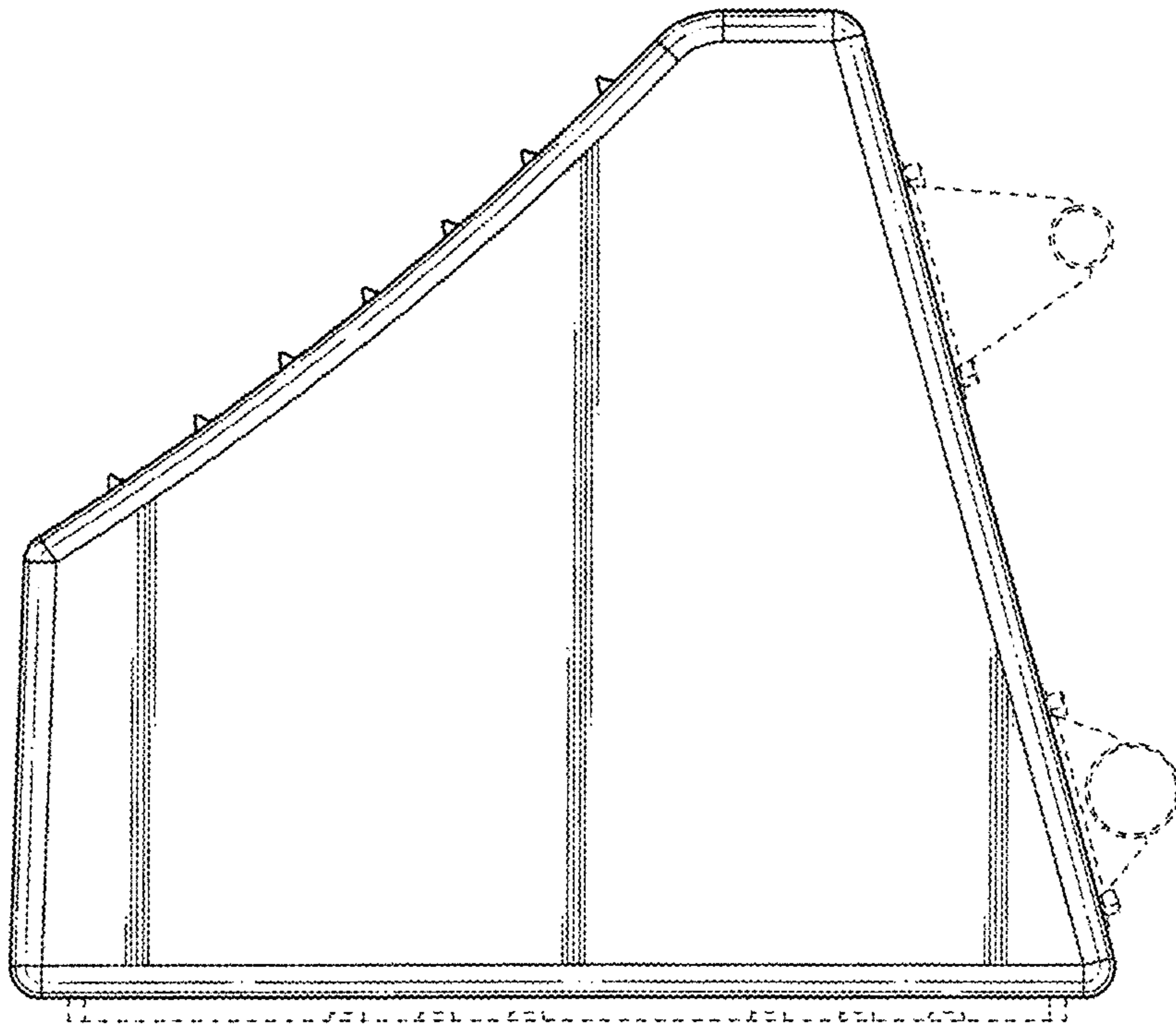
**FIG. 3**



**FIG. 4**

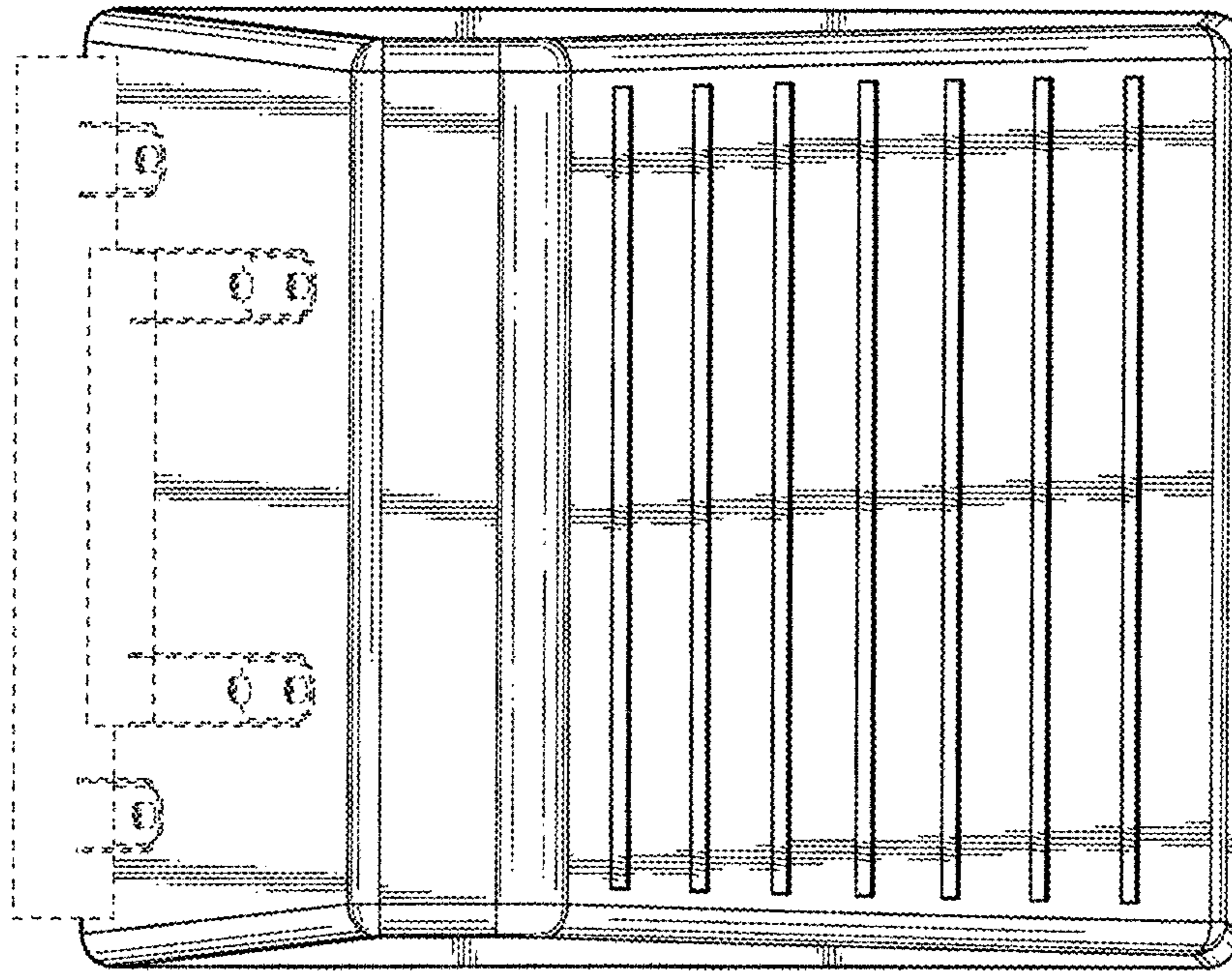


**FIG. 5**

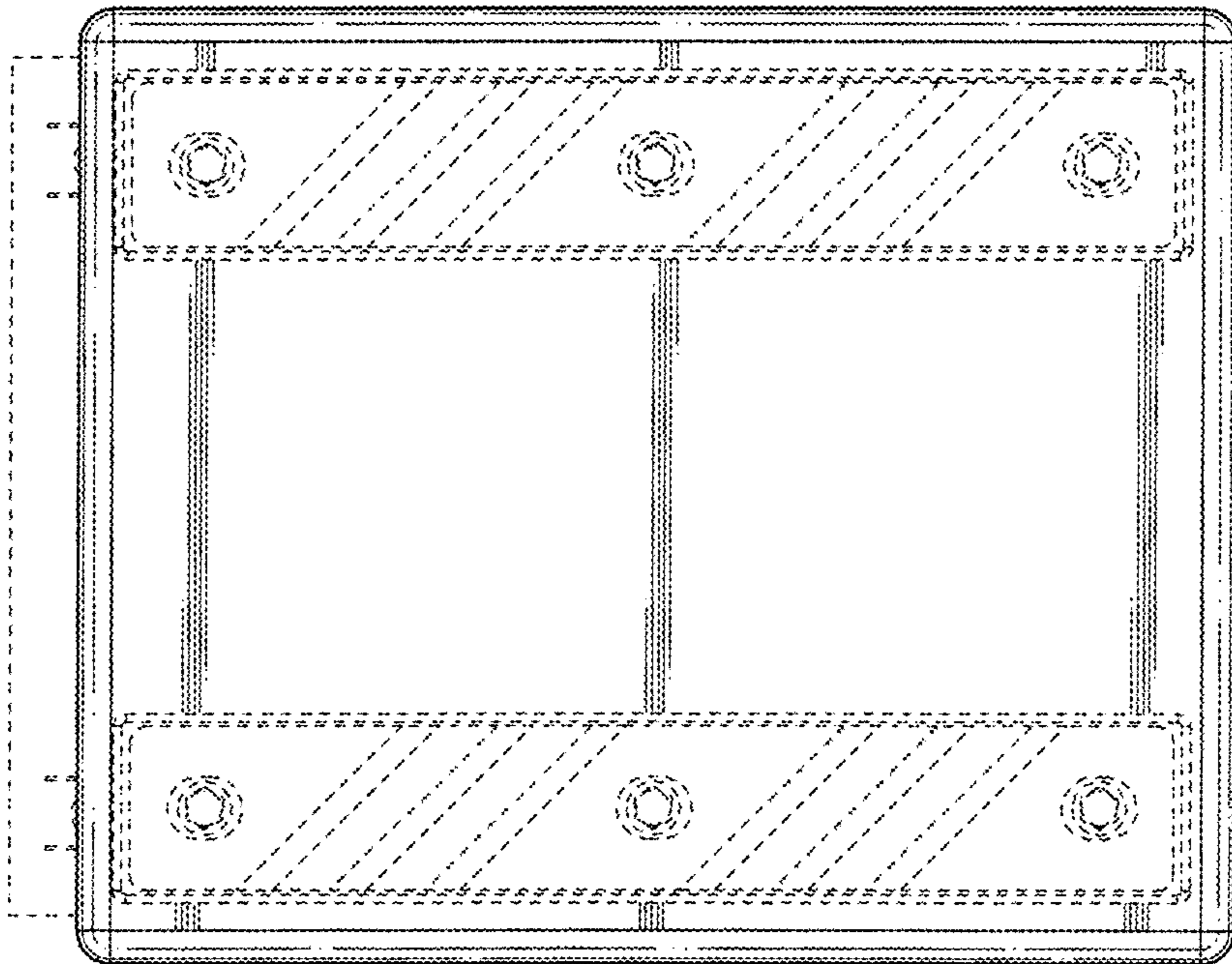


**FIG. 6**





**FIG. 7**



**FIG. 8**