



US00D936556S

(12) **United States Design Patent**
Sempek

(10) **Patent No.:** **US D936,556 S**

(45) **Date of Patent:** **** Nov. 23, 2021**

(54) **WHEEL RIM**

(71) Applicant: **Allied Wheel Components**, Garden Grove, CA (US)

(72) Inventor: **Christopher Sean Sempek**, Long Beach, CA (US)

(73) Assignee: **Allied Wheel Components**, Garden Grove, CA (US)

(**) Term: **15 Years**

(21) Appl. No.: **29/719,759**

(22) Filed: **Jan. 7, 2020**

(51) **LOC (13) Cl.** **12-16**

(52) **U.S. Cl.**
USPC **D12/211**

(58) **Field of Classification Search**
USPC D12/204–213; D21/563
CPC B60B 7/00; B60B 7/02; B60B 7/04; B60B 7/01; B60B 7/06; B60B 3/02; B60B 3/04; B60B 3/06; B60B 3/10; B60B 1/00; B60B 1/08; B60B 1/10; B60B 1/12
See application file for complete search history.

(56) **References Cited**

U.S. PATENT DOCUMENTS

D58,279 S	6/1921	Wheeh et al.	
1,404,382 A	1/1922	Lewis et al.	
1,530,863 A	3/1925	Vanderveer et al.	
D368,464 S	* 4/1996	Morley	D12/209
D396,208 S	7/1998	Baumgartner et al.	
D450,649 S	11/2001	Penzes	
D477,556 S	7/2003	Koch	
D481,984 S	11/2003	Sulahian	
D497,870 S	11/2004	Cahyono	
D504,101 S	4/2005	Pfeiffer	
D508,007 S	8/2005	Koch	
D513,728 S	1/2006	Yazawa et al.	

D516,490 S	3/2006	Baer	
D524,217 S	7/2006	Aoki	
D529,426 S	10/2006	Metros et al.	
D534,473 S	1/2007	Bernoni	
D538,215 S	3/2007	Laengerer	
D542,210 S	5/2007	Plumer	
D543,922 S	6/2007	Young	
D555,065 S	11/2007	Hernandez	
D587,179 S	2/2009	Pfeiffer	
D608,711 S	1/2010	Juergens et al.	
D609,624 S	2/2010	Matsubara	
D614,112 S	* 4/2010	Tant	D12/211
D617,710 S	6/2010	Ectors et al.	
D619,070 S	7/2010	Pollmann	
D620,862 S	8/2010	Pollmann	
D623,110 S	9/2010	Juergens et al.	
D628,948 S	12/2010	Chung	
D629,347 S	12/2010	Kim	
D632,239 S	2/2011	Gallert	
D639,222 S	6/2011	Johnson	

(Continued)

OTHER PUBLICATIONS

Raceline Wheels, Go Everywhere, Catalog, Apr. 7, 2017, Allied Wheel Components Inc. vol. 29, 16 pages.

(Continued)

Primary Examiner — Stacia A Cadmus

(74) *Attorney, Agent, or Firm* — Fish IP Law, LLP

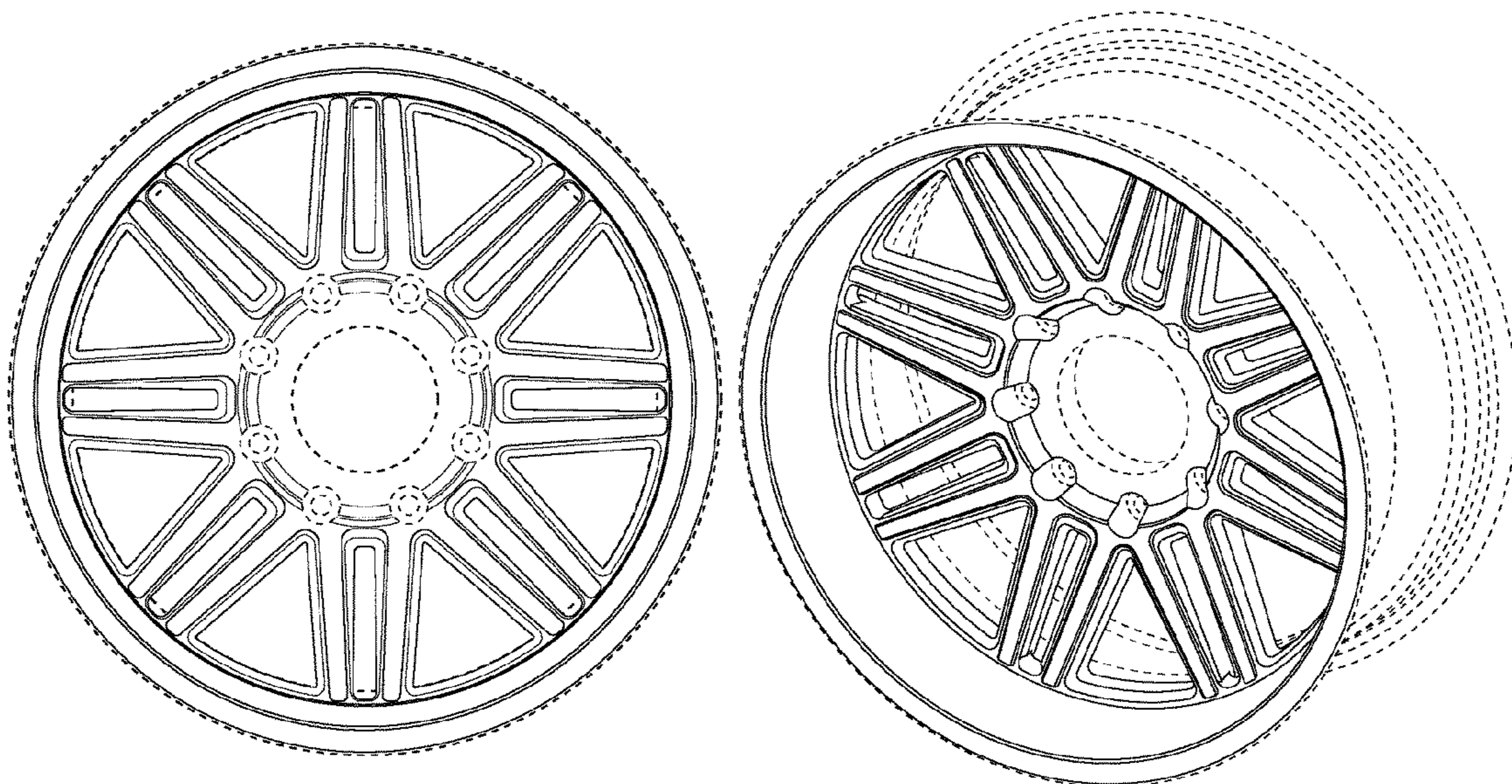
(57) **CLAIM**

I claim the ornamental design for a wheel rim, as shown and described.

DESCRIPTION

FIG. 1 is a front elevation view of a wheel rim of the new design; and,
FIG. 2 is a top, front, right side perspective view thereof. The broken lines depicting portions of the wheel rim form no part of the claim.

1 Claim, 2 Drawing Sheets



(56)

References Cited

U.S. PATENT DOCUMENTS

D644,587 S 9/2011 Gotschke
 D659,063 S 5/2012 Johnson
 D660,220 S 5/2012 Chan
 D666,546 S 9/2012 Juergens et al.
 D667,355 S 9/2012 Gotschke
 D682,180 S 5/2013 Zhao
 D688,190 S 8/2013 Hodges
 D689,004 S * 9/2013 Jallad D12/211
 D691,542 S 10/2013 Chan
 D695,183 S 12/2013 Chung
 D702,173 S 4/2014 Perini
 D706,196 S 6/2014 Lee
 D715,722 S 10/2014 Johnson
 D717,224 S 11/2014 Kim
 D717,710 S * 11/2014 Chung D12/211
 D717,711 S 11/2014 Kern
 D720,271 S 12/2014 Mielke et al.
 D721,318 S 1/2015 Kim
 D722,937 S 2/2015 Johnson
 D724,515 S 3/2015 Chung
 D726,089 S 4/2015 Hodges
 D726,090 S 4/2015 Hilpert
 D739,329 S 9/2015 Watkin
 D744,399 S 12/2015 Juergens et al.
 D744,931 S 12/2015 Curic et al.
 D749,486 S 2/2016 Huang
 D751,481 S 3/2016 Chung
 D751,966 S 3/2016 Zhao
 D754,049 S 4/2016 Valencia
 D756,877 S 5/2016 Huang
 D772,133 S 11/2016 Stone et al.
 D775,047 S 12/2016 Wheel
 D782,951 S 4/2017 Djerke
 D786,768 S 5/2017 Yousswef
 D791,035 S 7/2017 Palana
 D791,675 S * 7/2017 Guo D12/211
 D793,942 S * 8/2017 Factor D12/211
 D799,398 S 10/2017 Liffick
 D800,628 S 10/2017 Tran
 D803,129 S 11/2017 McMath
 D805,455 S * 12/2017 Kong D12/209
 D805,993 S * 12/2017 Sempek D12/211
 D806,630 S 1/2018 McMath
 D808,325 S 1/2018 Chung
 D813,137 S 3/2018 Sempek
 D813,780 S 3/2018 Sempek

D817,844 S 5/2018 Hale, Jr.
 D818,412 S * 5/2018 Oldham D12/211
 D840,899 S * 2/2019 Chung D12/211
 D842,184 S * 3/2019 Chung D12/209
 D847,721 S * 5/2019 Chung D12/211
 D860,099 S * 9/2019 Milani D12/209
 D860,903 S * 9/2019 Lu D12/209
 D867,960 S * 11/2019 Aslam D12/209
 D875,638 S * 2/2020 Johnson D12/209
 D885,295 S * 5/2020 Han D12/211
 D889,372 S * 7/2020 Williams D12/211
 D892,013 S * 8/2020 Han D12/209
 D902,821 S * 11/2020 Licklitter D12/209
 D905,612 S * 12/2020 Hashimoto D12/211
 D906,938 S * 1/2021 Sempek D12/211
 D908,574 S * 1/2021 Mukti D12/209
 D911,245 S * 2/2021 Chung D12/211
 D922,928 S * 6/2021 Kong D12/211
 D928,061 S * 8/2021 Han D12/209

OTHER PUBLICATIONS

Raceline Wheels, Go Everywhere, Catalog, Oct. 16, 2015, Allied Wheel Components Inc., vol. 24, 28 pages.
 Raceline Wheels, Go Everywhere, Catalog, Feb. 21, 2017, Allied Wheel Components Inc., vol. 22, 9 pages.
 Raceline Wheels, Go Everywhere, Catalog, Feb. 21, 2017, Allied Wheel Components Inc., vol. 23, 16 pages.
 Raceline Wheels, Go Everywhere, Catalog, Feb. 23, 2017, Allied Wheel Components Inc., vol. 28, 20 pages.
 Raceline Wheels, Go Everywhere, Catalog, Mar. 24, 2016, Allied Wheel Components Inc., vol. 26, 28 pages.
 Raceline Wheels, Go Everywhere, Catalog, Oct. 24, 2016, Allied Wheel Components Inc., vol. 27, 20 pages.
 Raceline Wheels, Go Everywhere, Catalog, Oct. 25, 2017, Allied Wheel Components Inc., vol. 30, 20 pages.
 Raceline Wheels, Go Everywhere, Catalog, Jan. 26, 2016, Allied Wheel Components Inc., vol. 25, 28 pages.
 Raceline Wheels, Go Everywhere, Catalog, Feb. 27, 2018, Allied Wheel Components Inc., vol. 31, 24 pages.
 Raceline Wheels, Go Everywhere, Catalog, Allied Wheel Components Inc., vol. 22, 16 pages.
 Raceline Wheels, Go Everywhere, Catalog, Allied Wheel Components Inc., vol. 26, 13 pages.
 Raceline Wheels, SEMA Catalog, 2019, Allied Wheel Components Inc., vol. 32, 24 pages.

* cited by examiner

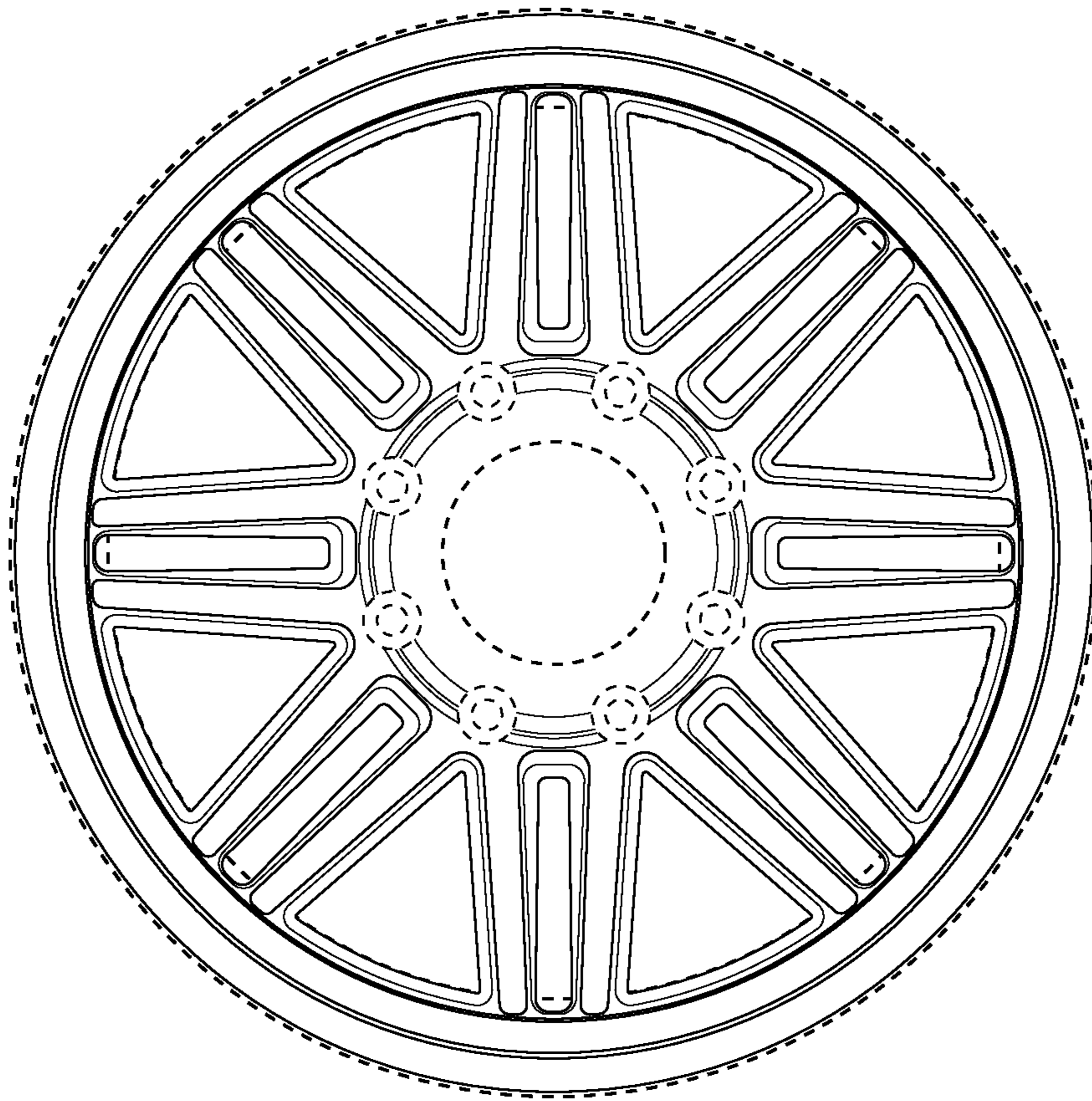


FIG. 1

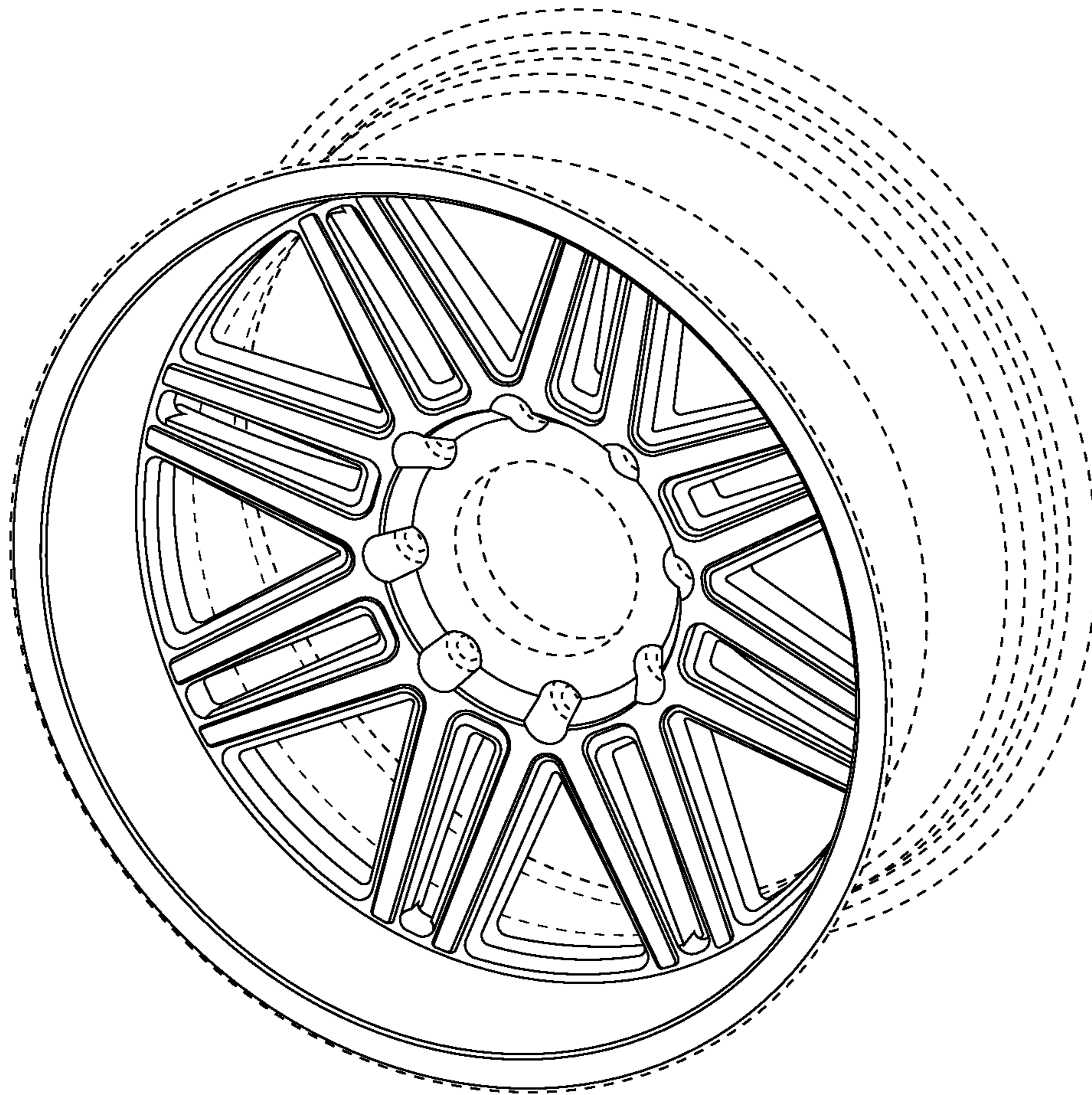


FIG. 2