



US00D936554S

(12) **United States Design Patent**
Hoste

(10) **Patent No.:** **US D936,554 S**

(45) **Date of Patent:** **** Nov. 23, 2021**

(54) **VEHICLE WHEEL**

(71) Applicant: **Rivian IP Holdings, LLC**, Plymouth, MI (US)

(72) Inventor: **Paul Hoste**, White Lake, MI (US)

(73) Assignee: **Rivian IP Holdings, LLC**, Plymouth, MI (US)

(**) Term: **15 Years**

(21) Appl. No.: **29/750,821**

(22) Filed: **Sep. 16, 2020**

(51) **LOC (13) Cl.** **12-16**

(52) **U.S. Cl.**
USPC **D12/209**

(58) **Field of Classification Search**
USPC D12/204-213; D21/563
CPC B60B 7/00; B60B 7/02; B60B 7/04; B60B 7/01; B60B 7/06; B60B 3/02; B60B 3/04; B60B 3/06; B60B 3/10; B60B 1/00; B60B 1/08; B60B 1/10; B60B 1/12
See application file for complete search history.

(56) **References Cited**

U.S. PATENT DOCUMENTS

D395,031 S	*	6/1998	Timm	D12/209
D572,185 S	*	7/2008	Pollmann	D12/211
D575,716 S	*	8/2008	Chung	D12/209
D586,715 S	*	2/2009	Cortes	D12/211
D604,221 S	*	11/2009	Krisch	D12/211

D617,722 S	*	6/2010	Zhao	D12/211
D629,732 S	*	12/2010	Tirado	D12/209
D656,448 S	*	3/2012	Zhao	D12/211
D706,198 S	*	6/2014	Chung	D12/211
D726,620 S	*	4/2015	Licklitter	D12/209
D747,255 S	*	1/2016	Kobayashi	D12/211
D758,948 S	*	6/2016	Trpinac	D12/211
D767,468 S	*	9/2016	Stone	D12/211
D787,405 S	*	5/2017	Nakamura	D12/209
D817,846 S	*	5/2018	Stone	D12/209
D849,657 S	*	5/2019	Kong	D12/211
D853,308 S	*	7/2019	Valencia Pollex	D12/211
D864,077 S	*	10/2019	Han	D12/209
D876,309 S	*	2/2020	Echazabal	D12/209
D906,212 S	*	12/2020	Yamashita	D12/209
D917,369 S	*	4/2021	Baum	D12/211

* cited by examiner

Primary Examiner — Stacia A Cadmus

(74) *Attorney, Agent, or Firm* — Haley Guiliano LLP

(57) **CLAIM**

The ornamental design for a vehicle wheel, as shown and described.

DESCRIPTION

FIG. 1 is a front elevational view of a vehicle wheel showing the claimed design; and, FIG. 2 is a front perspective view of the vehicle wheel. The dashed broken lines represent boundaries of the design; the dashed broken lines themselves and the areas within form no part of the claimed design.

1 Claim, 2 Drawing Sheets

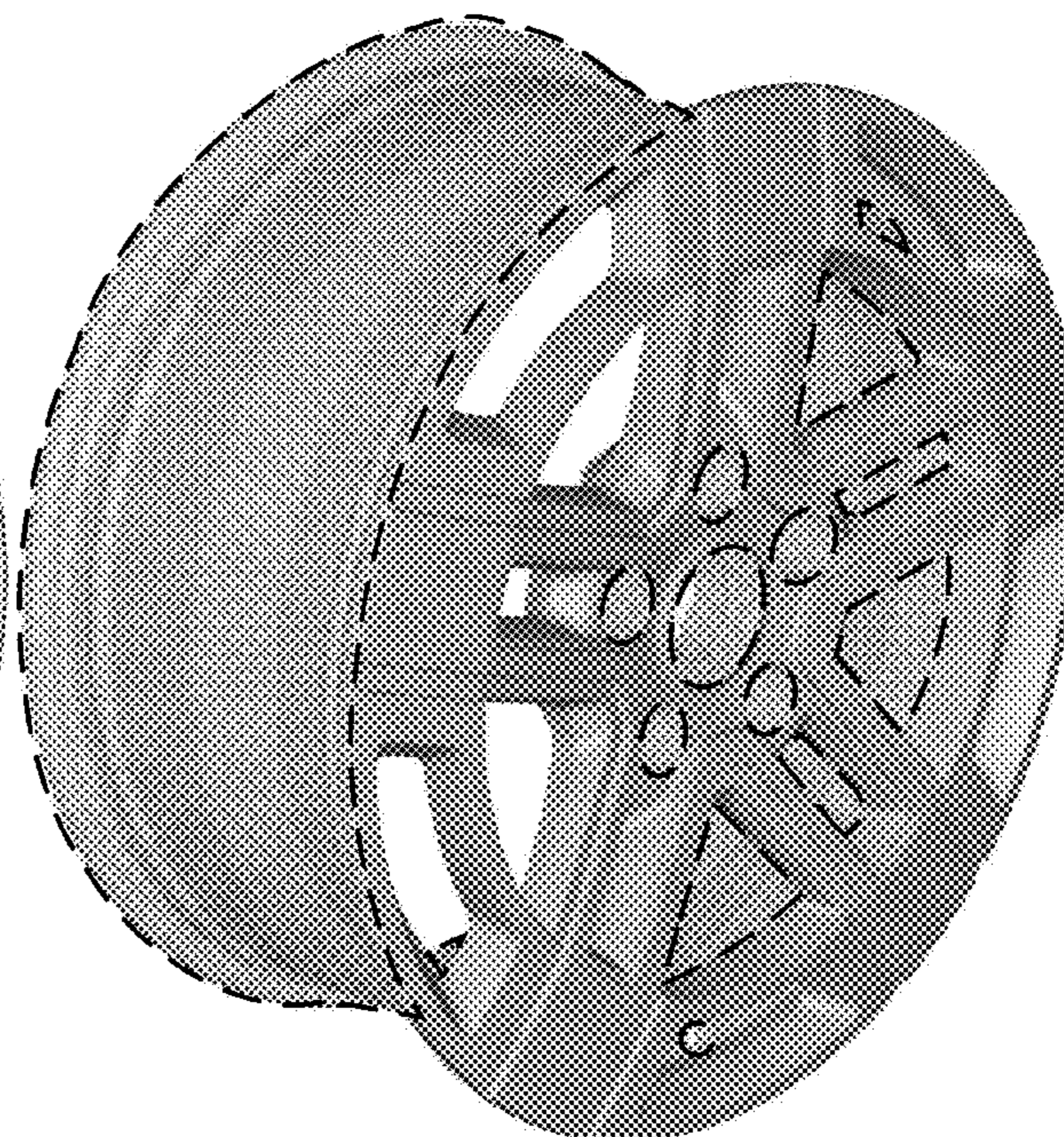
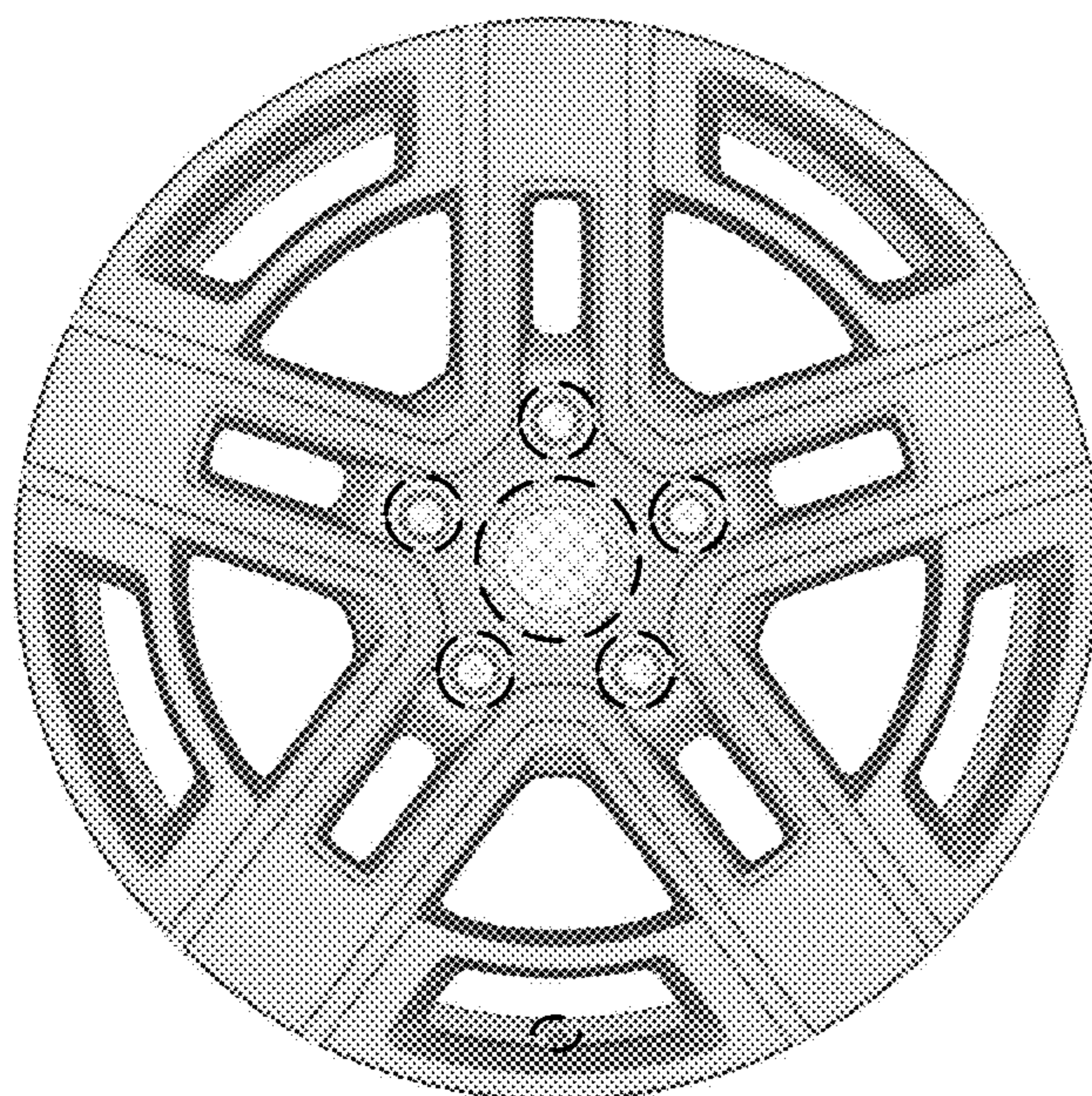




FIG. 1

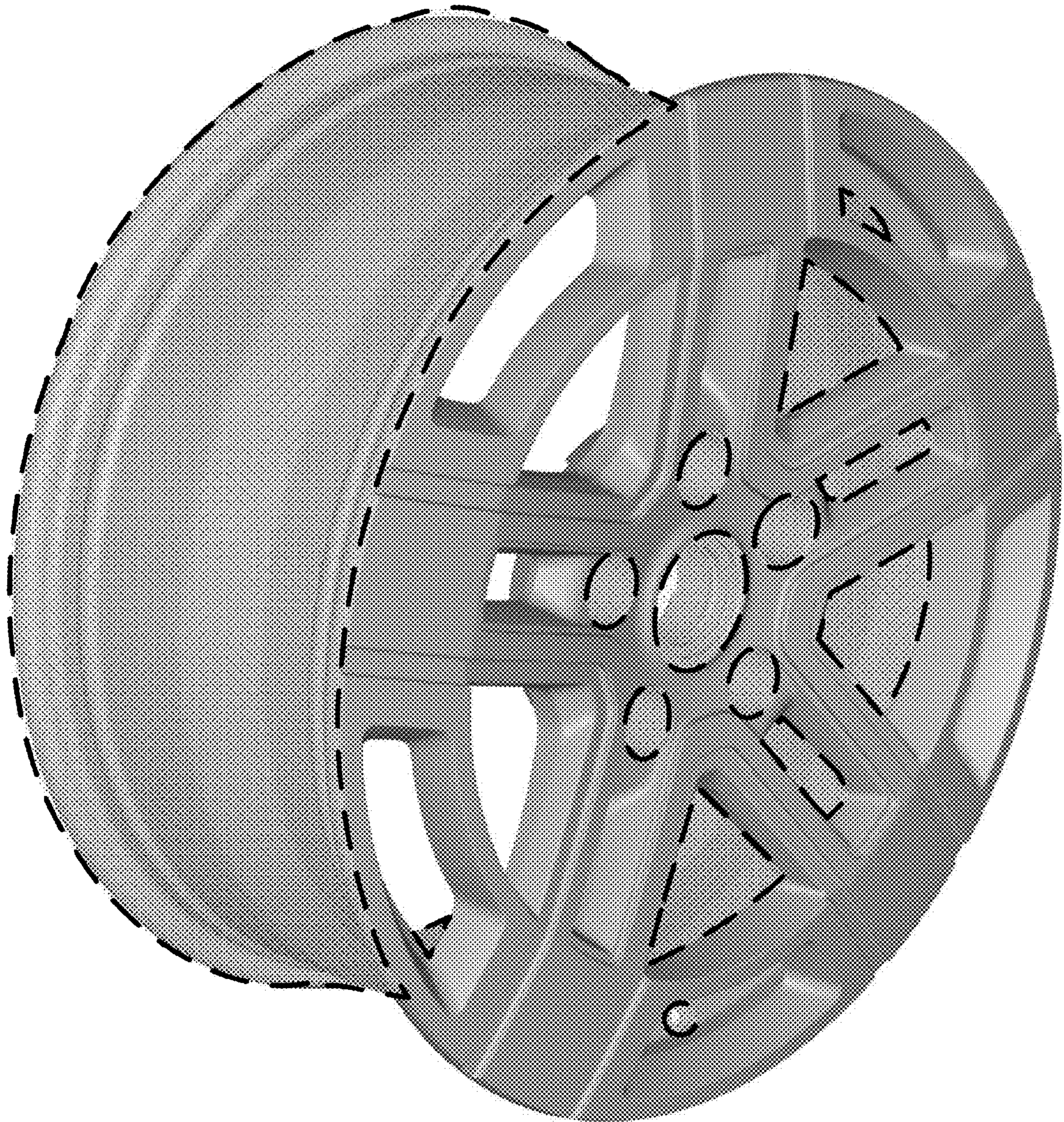


FIG. 2