



US00D936552S

(12) **United States Design Patent**
Peat

(10) **Patent No.:** **US D936,552 S**

(45) **Date of Patent:** **** Nov. 23, 2021**

(54) **VEHICLE WHEEL**

(71) Applicant: **JAGUAR LAND ROVER LIMITED,**
Coventry (GB)

(72) Inventor: **Anthony Peat,** Coventry (GB)

(73) Assignee: **JAGUAR LAND ROVER LIMITED,**
Coventry (GB)

(**) Term: **15 Years**

(21) Appl. No.: **29/743,837**

(22) Filed: **Jul. 24, 2020**

(30) **Foreign Application Priority Data**

Jan. 24, 2020 (EM) 007552955-0016

(51) **LOC (13) Cl.** **12-16**

(52) **U.S. Cl.**
USPC **D12/209**

(58) **Field of Classification Search**

USPC D12/204-213; D21/563
CPC B60B 7/00; B60B 7/02; B60B 7/04; B60B
7/01; B60B 7/06; B60B 3/02; B60B 3/04;
B60B 3/06; B60B 3/10; B60B 1/00;
B60B 1/08; B60B 1/10; B60B 1/12

See application file for complete search history.

(56) **References Cited**

U.S. PATENT DOCUMENTS

D525,184 S * 7/2006 Huet D12/211
D617,249 S * 6/2010 Juergens D12/211
D619,071 S * 7/2010 Christensen D12/211
D635,077 S * 3/2011 Nordmann D12/209
D671,060 S * 11/2012 Baum D12/209
D671,479 S * 11/2012 Gonser D12/209

D686,965 S * 7/2013 Pollmann D12/211
D697,858 S * 1/2014 Kito D12/209
D782,384 S * 3/2017 Oh D12/209
D823,432 S * 7/2018 Oh D12/209
D824,831 S * 8/2018 Oh D12/209
D828,266 S * 9/2018 Garcia D12/209
D855,534 S * 8/2019 Gregory D12/209
D862,348 S * 10/2019 Woodhouse D12/209
D889,369 S * 7/2020 Lee D12/209
D890,067 S * 7/2020 Woodhouse D12/209
D895,513 S * 9/2020 Patel D12/209
D896,720 S * 9/2020 Woodhouse D12/209
D899,996 S * 10/2020 O'Neill D12/209
D908,062 S * 1/2021 Choi D12/209
D918,815 S * 5/2021 Andoh D12/209
D920,875 S * 6/2021 Andoh D12/209
D922,926 S * 6/2021 Lim D12/209

* cited by examiner

Primary Examiner — Stacia A Cadmus

(74) *Attorney, Agent, or Firm* — Reising Ethington P.C.

(57) **CLAIM**

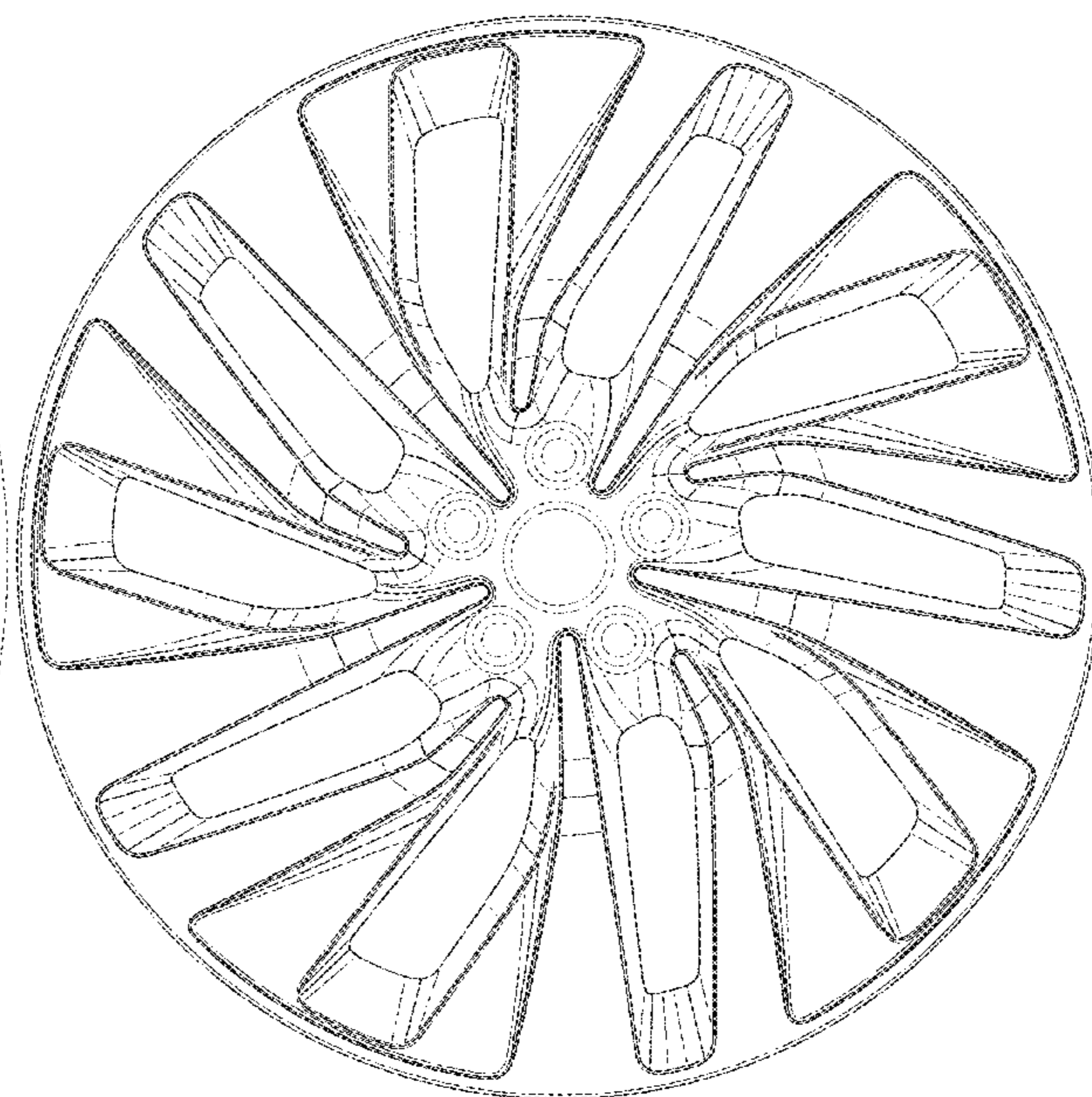
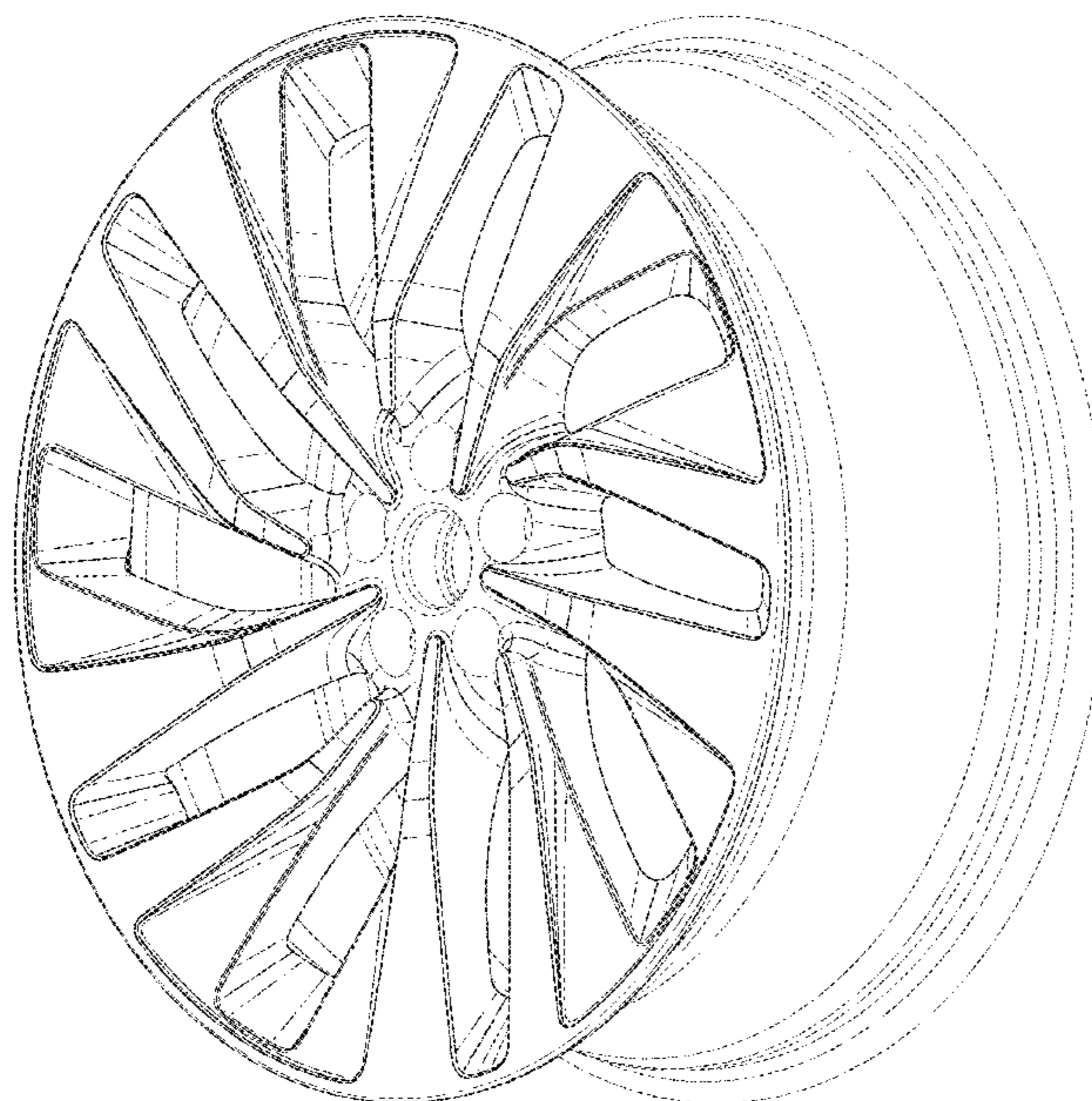
The ornamental design for a vehicle wheel, as shown and described.

DESCRIPTION

FIG. 1 is a frontside perspective view of the vehicle wheel;
FIG. 2 is a rear side perspective view thereof;
FIG. 3 is a front view thereof;
FIG. 4 is a rear view thereof;
FIG. 5 is a left side view thereof;
FIG. 6 is a right side view thereof;
FIG. 7 is a top view thereof; and,
FIG. 8 is a bottom view thereof.

The broken lines shown in the drawings depict portions of the vehicle wheel that form no part of the claimed design.

1 Claim, 8 Drawing Sheets



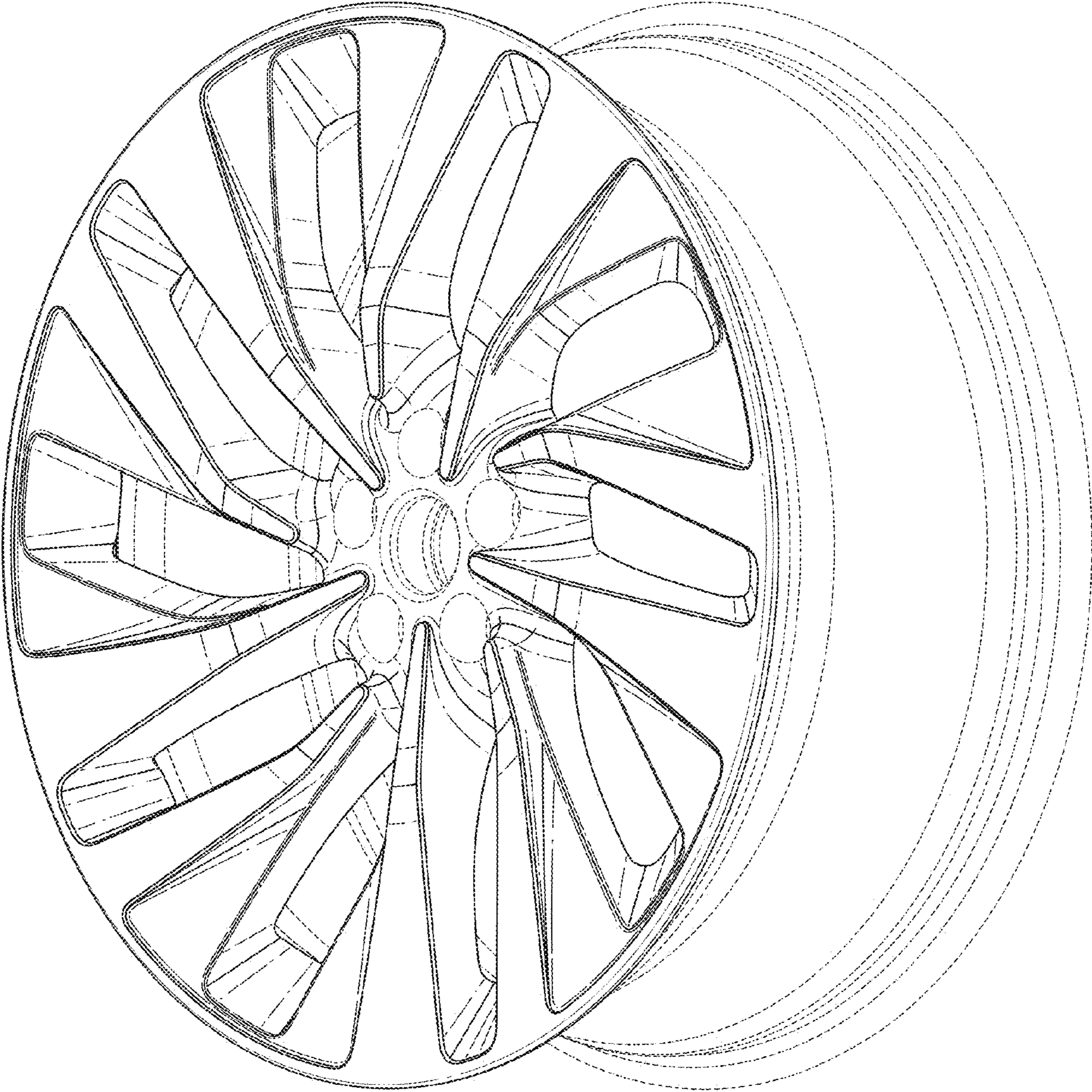


FIG. 1

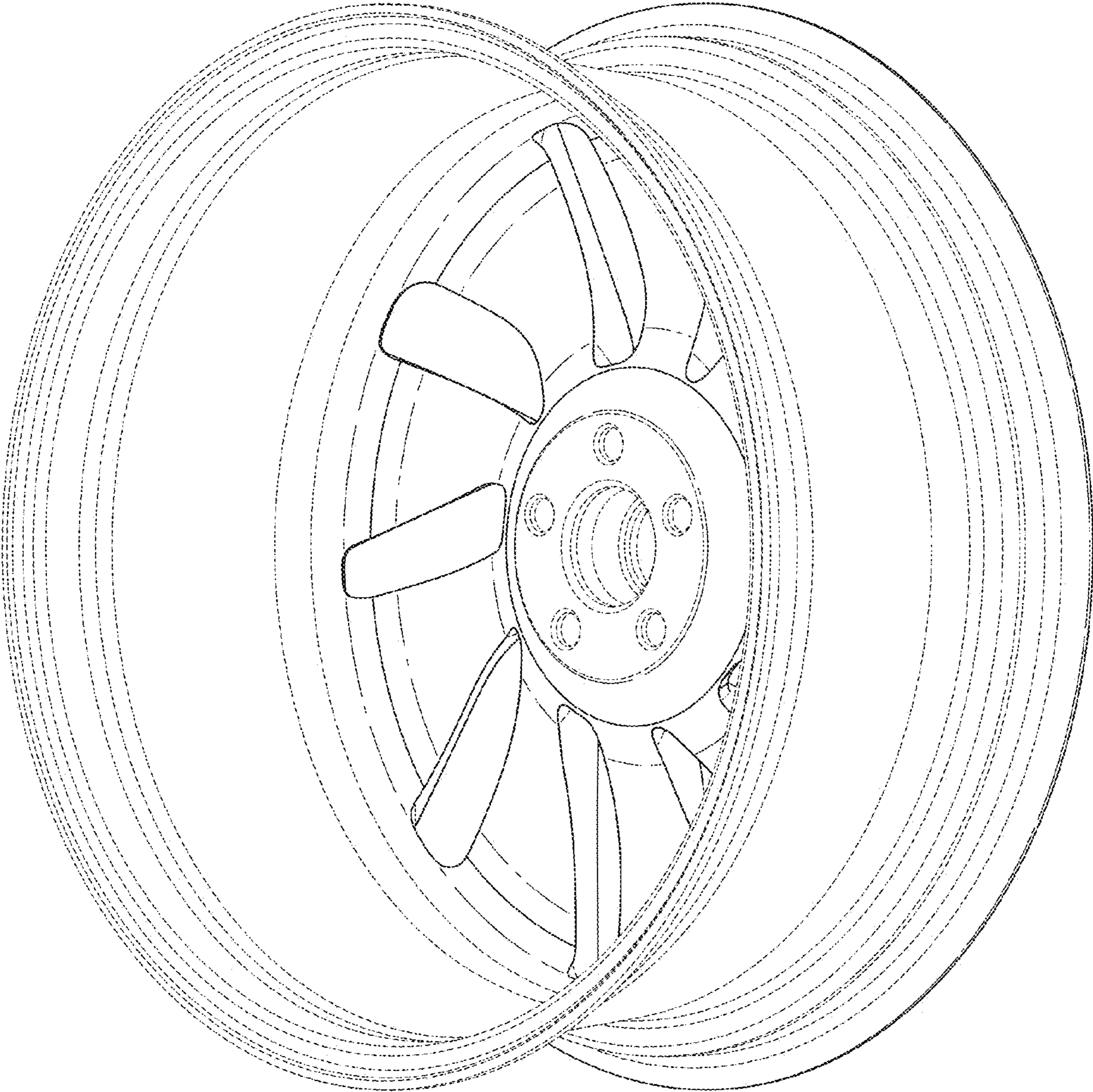


FIG. 2

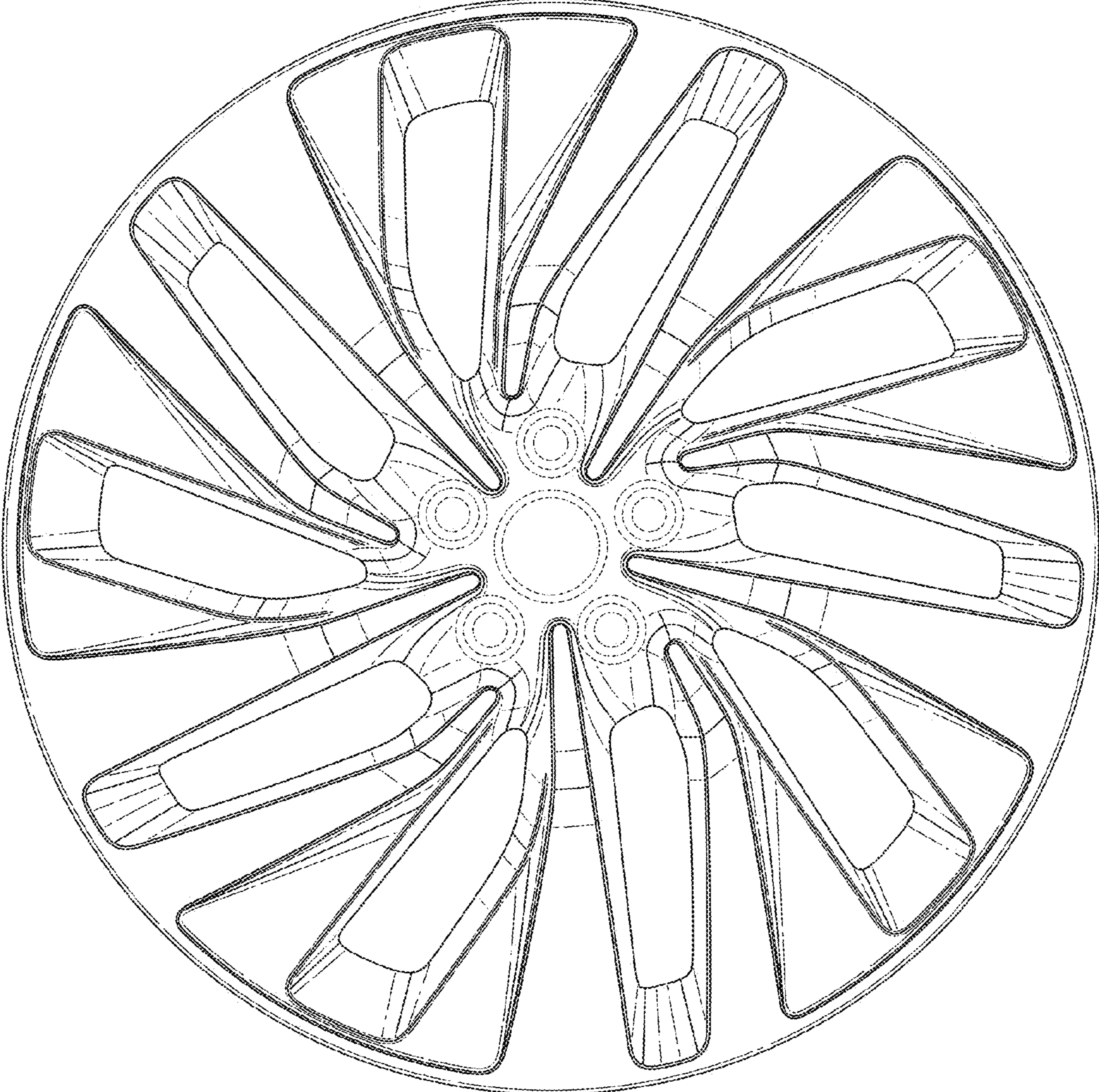


FIG. 3

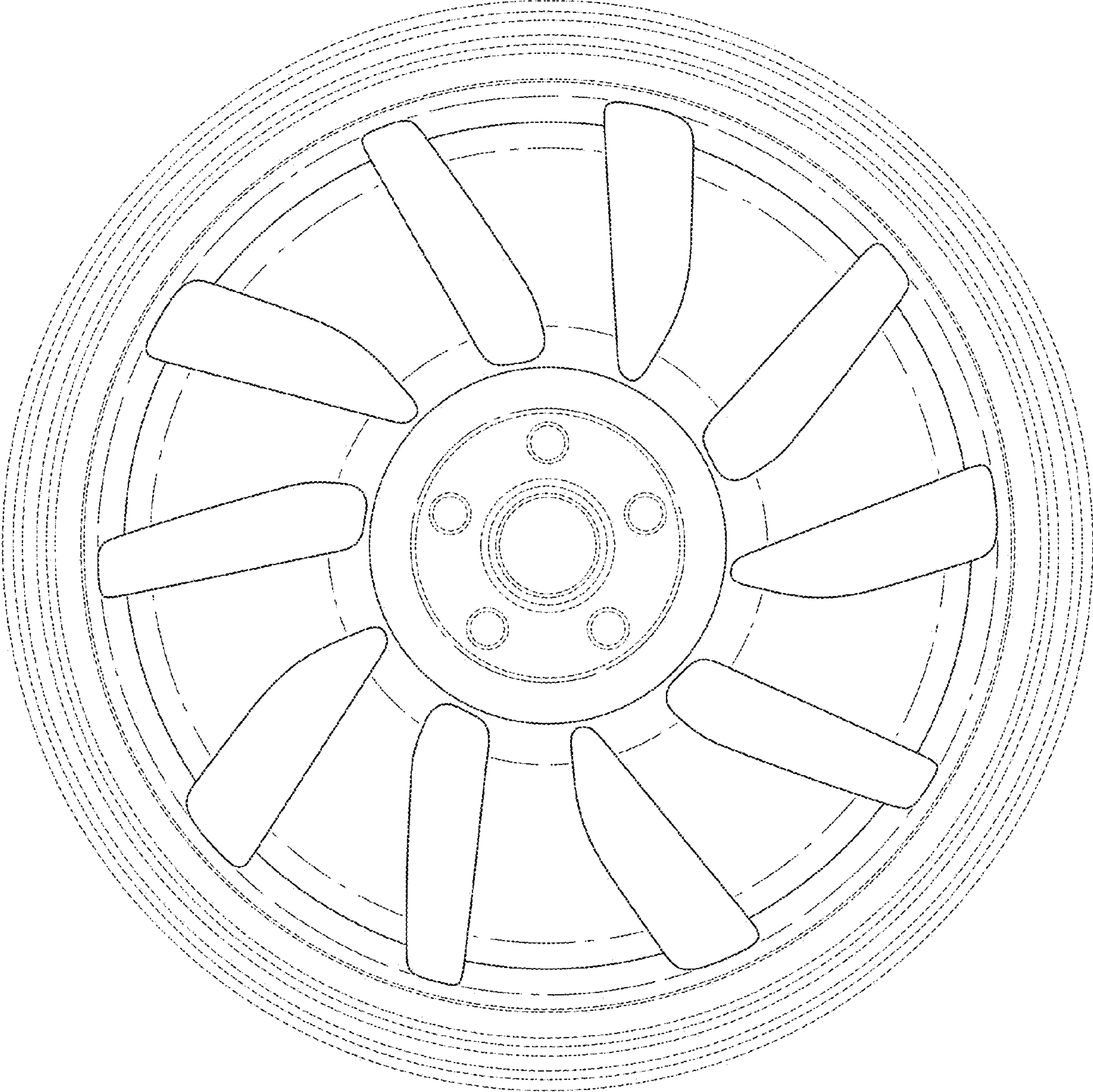


FIG. 4

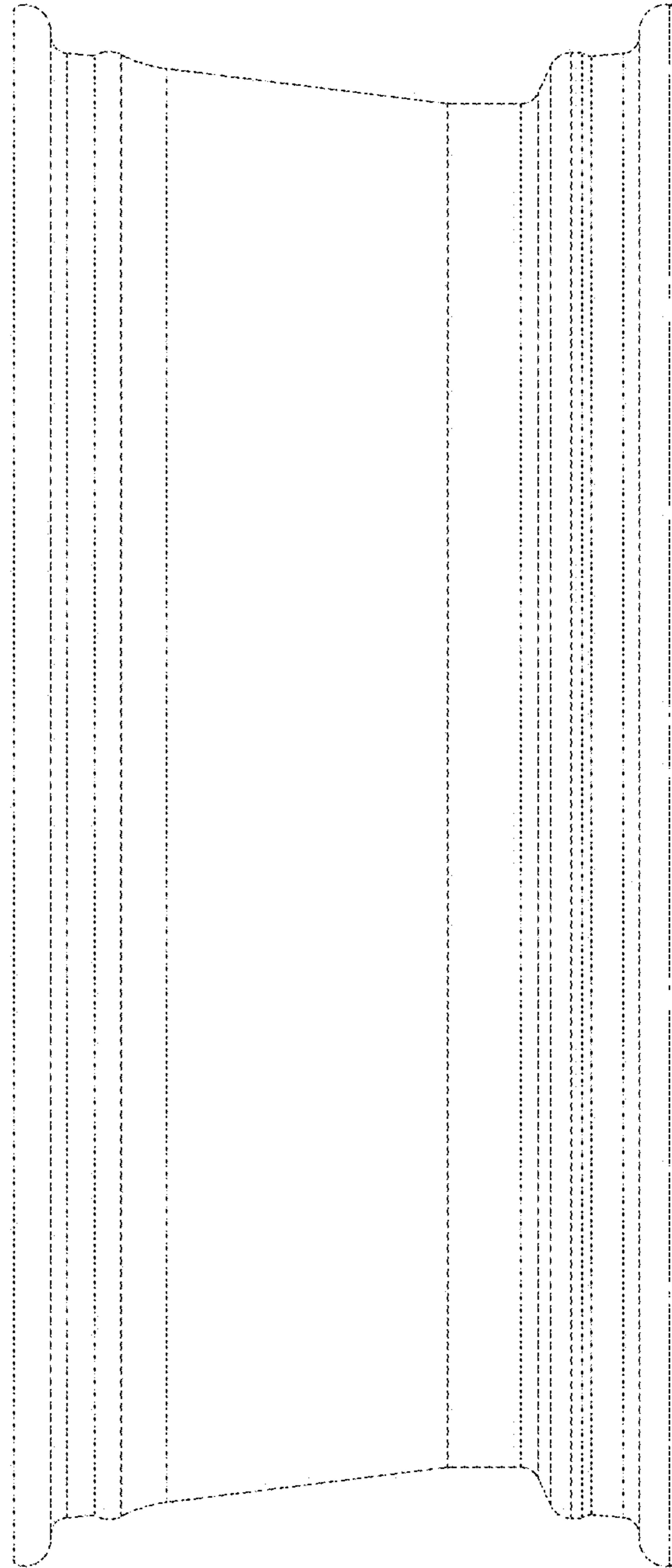


FIG. 5

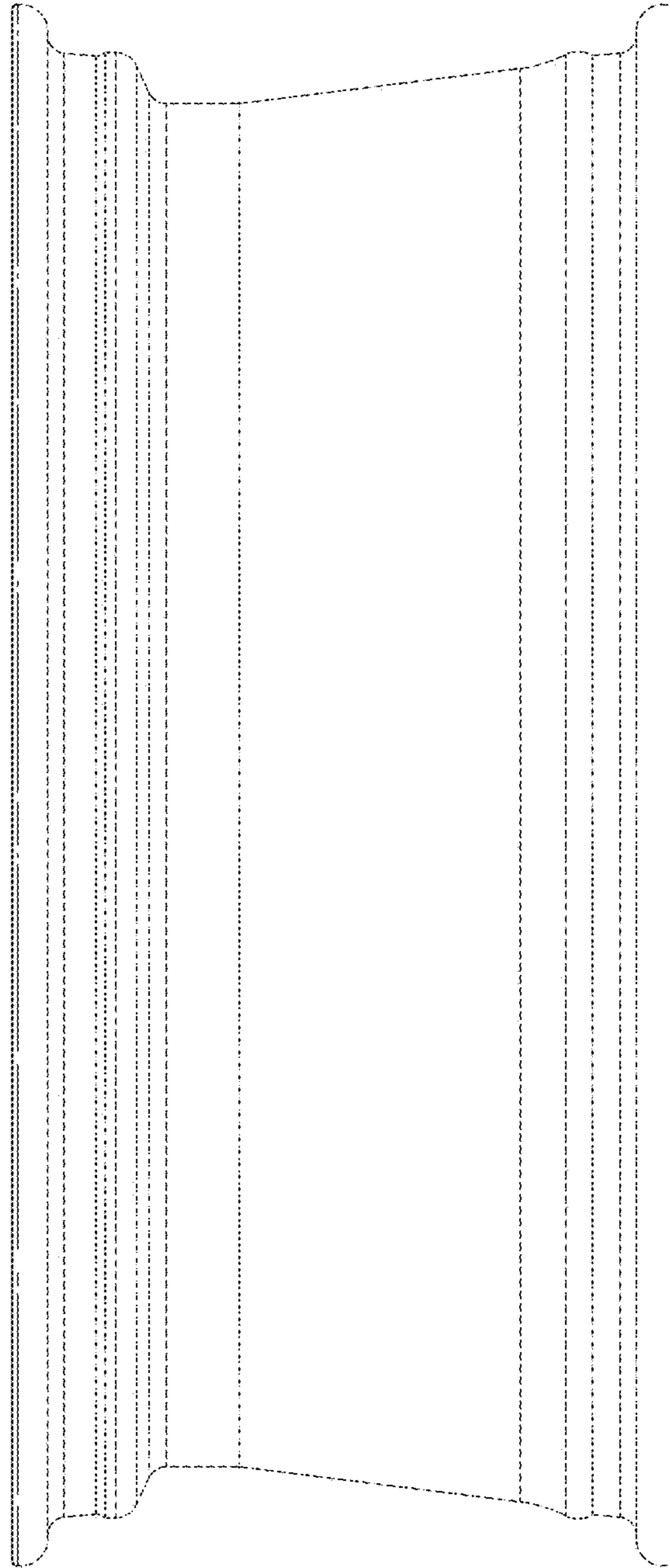


FIG. 6



FIG. 7



FIG. 8