



US00D936551S

(12) **United States Design Patent**
Peat

(10) **Patent No.:** **US D936,551 S**

(45) **Date of Patent:** **** Nov. 23, 2021**

(54) **VEHICLE WHEEL**

(71) Applicant: **JAGUAR LAND ROVER LIMITED,**
Coventry (GB)

(72) Inventor: **Anthony Peat,** Coventry (GB)

(73) Assignee: **JAGUAR LAND ROVER LIMITED,**
Coventry (GB)

(**) Term: **15 Years**

(21) Appl. No.: **29/743,741**

(22) Filed: **Jul. 23, 2020**

(30) **Foreign Application Priority Data**

Jan. 24, 2020 (EM) EM007551957-0007

(51) **LOC (13) Cl.** **12-16**

(52) **U.S. Cl.**
USPC **D12/209**

(58) **Field of Classification Search**

USPC D12/204–213; D21/563
CPC B60B 7/00; B60B 7/02; B60B 7/04; B60B
7/01; B60B 7/06; B60B 3/02; B60B 3/04;
B60B 3/06; B60B 3/10; B60B 1/00;
B60B 1/08; B60B 1/10; B60B 1/12

See application file for complete search history.

(56) **References Cited**

U.S. PATENT DOCUMENTS

D501,441 S * 2/2005 Rosenbohm D12/211
D538,731 S * 3/2007 Iwauchi D12/211
D570,274 S * 6/2008 Scheu D12/211
D581,852 S * 12/2008 Scheu D12/211
D614,114 S * 4/2010 Kim D12/211
D663,248 S * 7/2012 Kogawa D12/209
D676,794 S * 2/2013 Hilpert D12/209
D685,710 S * 7/2013 Hanaoka D12/209

D781,762 S * 3/2017 Setter D12/209
D789,863 S * 6/2017 Yoneyama D12/209
D793,321 S * 8/2017 Valencia Pollex D12/209
D793,324 S * 8/2017 Valencia Pollex D12/211
D795,778 S * 8/2017 Valencia Pollex D12/211
D841,554 S * 2/2019 Tamura D12/209
D843,912 S * 3/2019 Metros D12/209
D846,477 S * 4/2019 Bucher D12/209
D847,066 S * 4/2019 Bucher D12/209
D867,256 S * 11/2019 Li D12/209
D871,998 S * 1/2020 Liu D12/209
D877,021 S * 3/2020 Rosello Visa D12/209
D877,024 S * 3/2020 Valencia Pollex D12/209
D878,997 S * 3/2020 Tian D12/209
D880,395 S * 4/2020 Valencia Pollex D12/209
D884,575 S * 5/2020 Rosello Visa D12/209
D889,350 S * 7/2020 Wang D12/209
D896,723 S * 9/2020 Daniel D12/209
D906,937 S * 1/2021 Li D12/209

* cited by examiner

Primary Examiner — Stacia A Cadmus

(74) *Attorney, Agent, or Firm* — Reising Ethington P.C.

(57) **CLAIM**

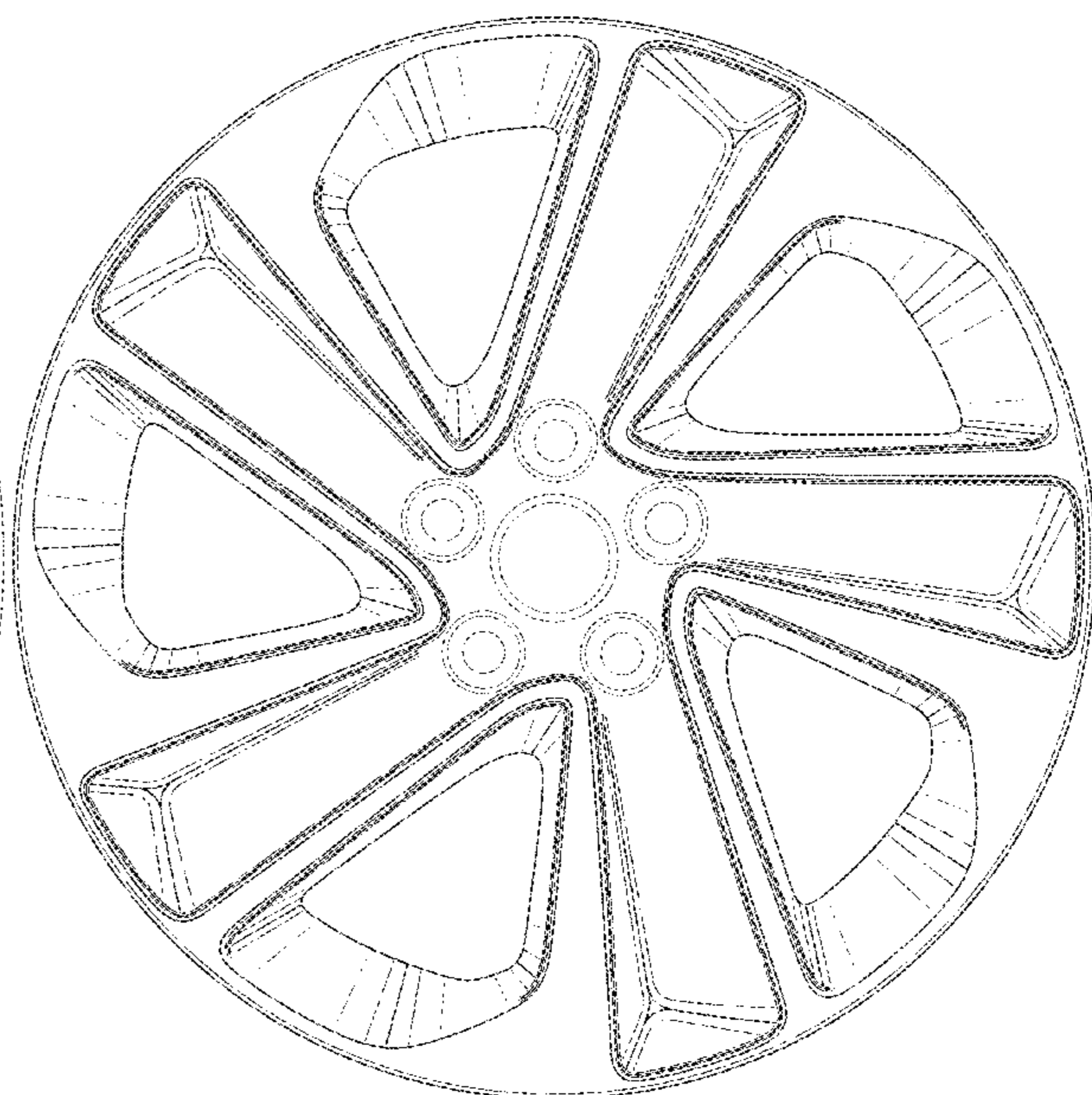
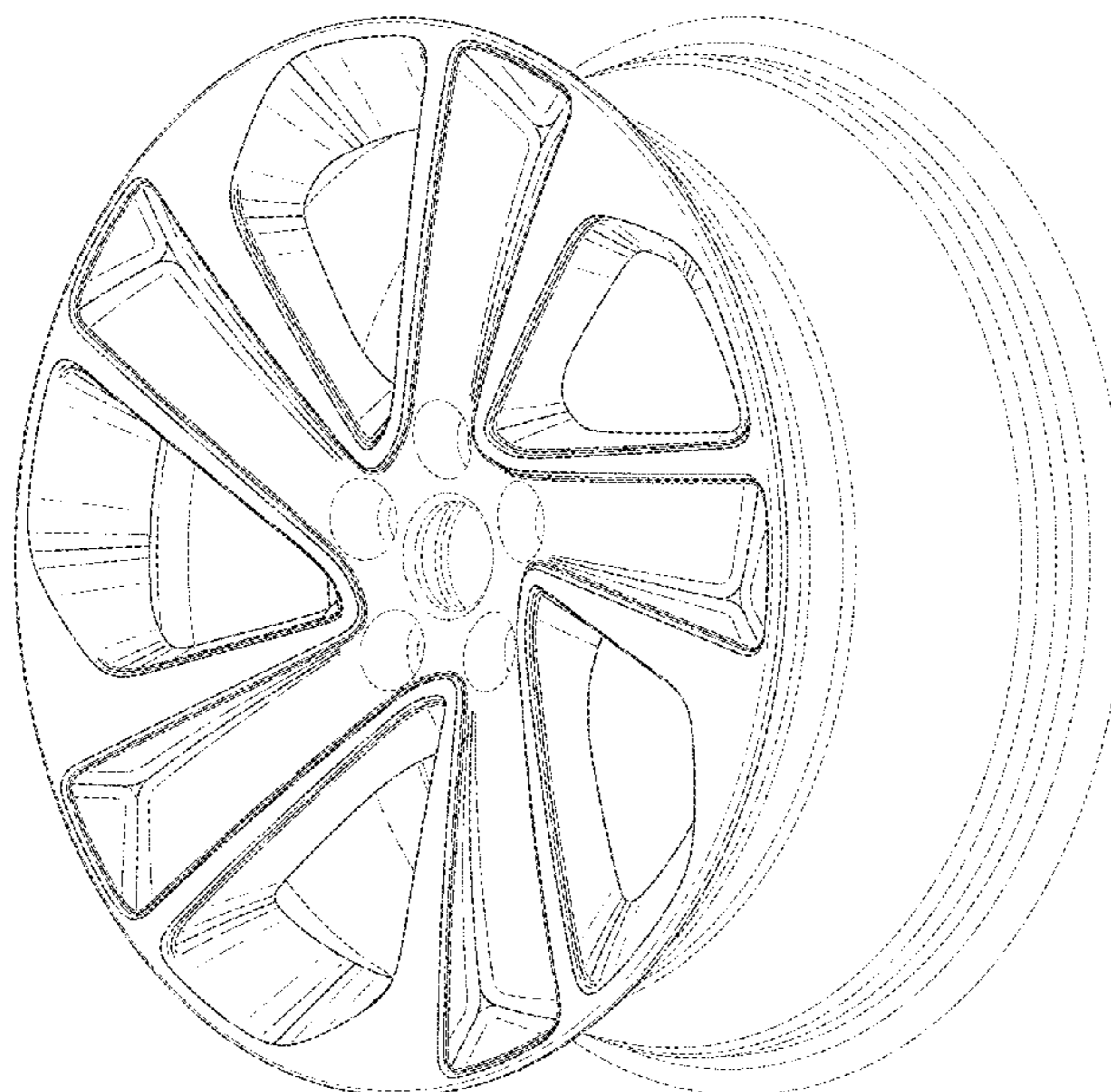
The ornamental design for a vehicle wheel, as shown and described.

DESCRIPTION

FIG. 1 is a frontside perspective view of the vehicle wheel;
FIG. 2 is a rearside perspective view thereof;
FIG. 3 is a front view thereof;
FIG. 4 is a rear view thereof;
FIG. 5 is a left side view thereof;
FIG. 6 is a right side view thereof;
FIG. 7 is a top view thereof; and,
FIG. 8 is a bottom view thereof.

The broken lines shown in the drawings depict portions of the vehicle wheel that form no part of the claimed design.

1 Claim, 8 Drawing Sheets



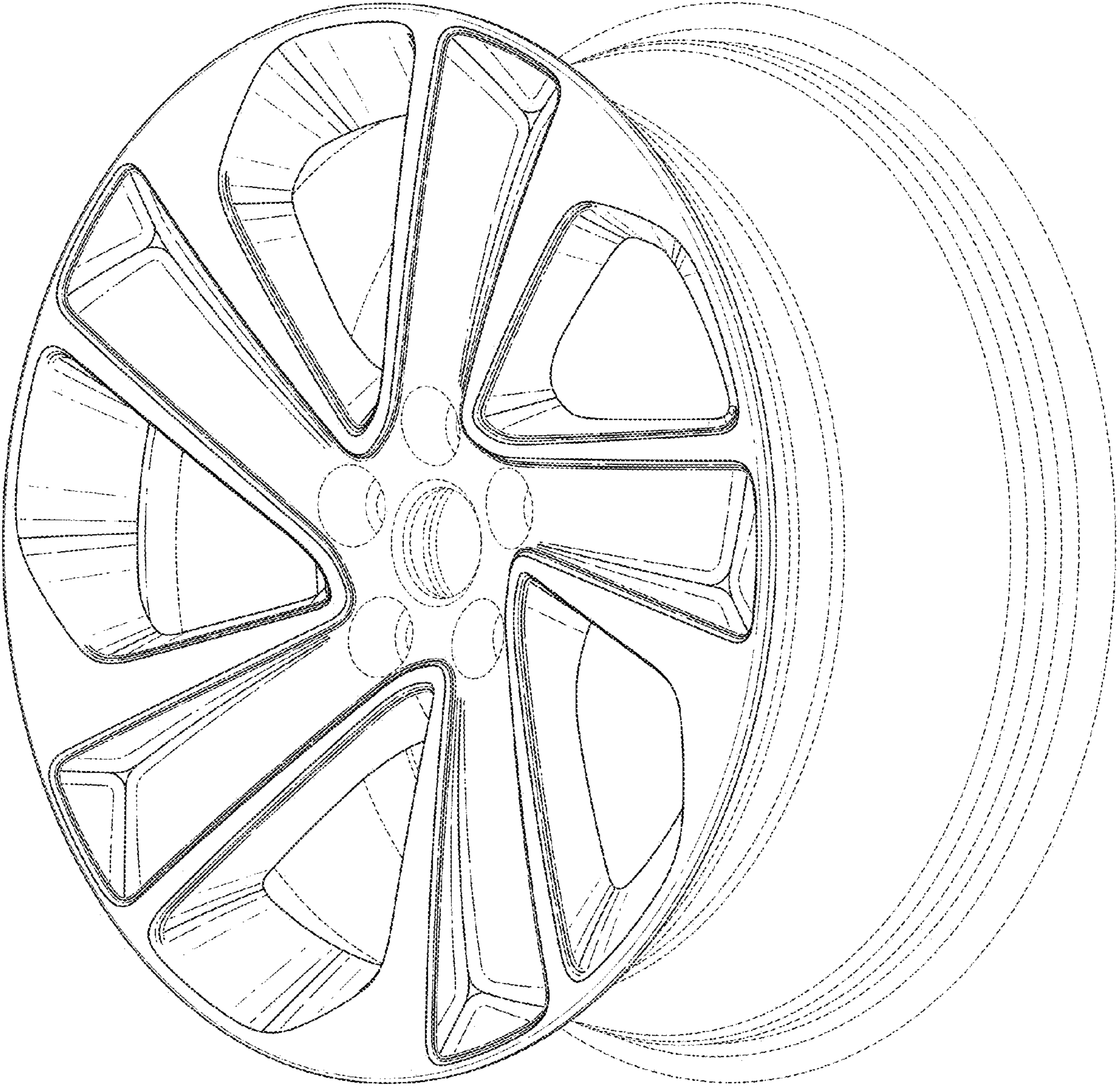


FIG. 1

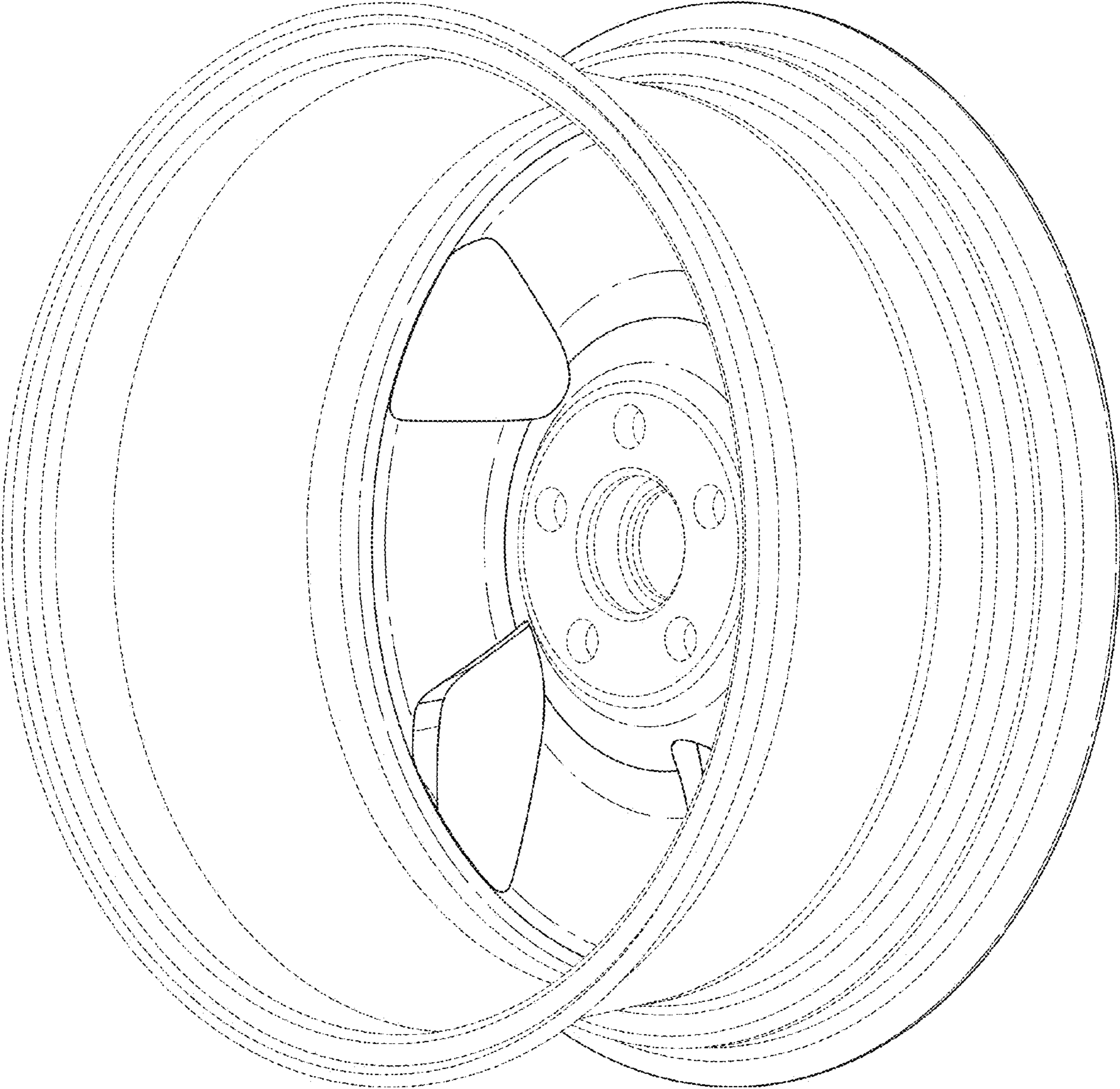


FIG. 2

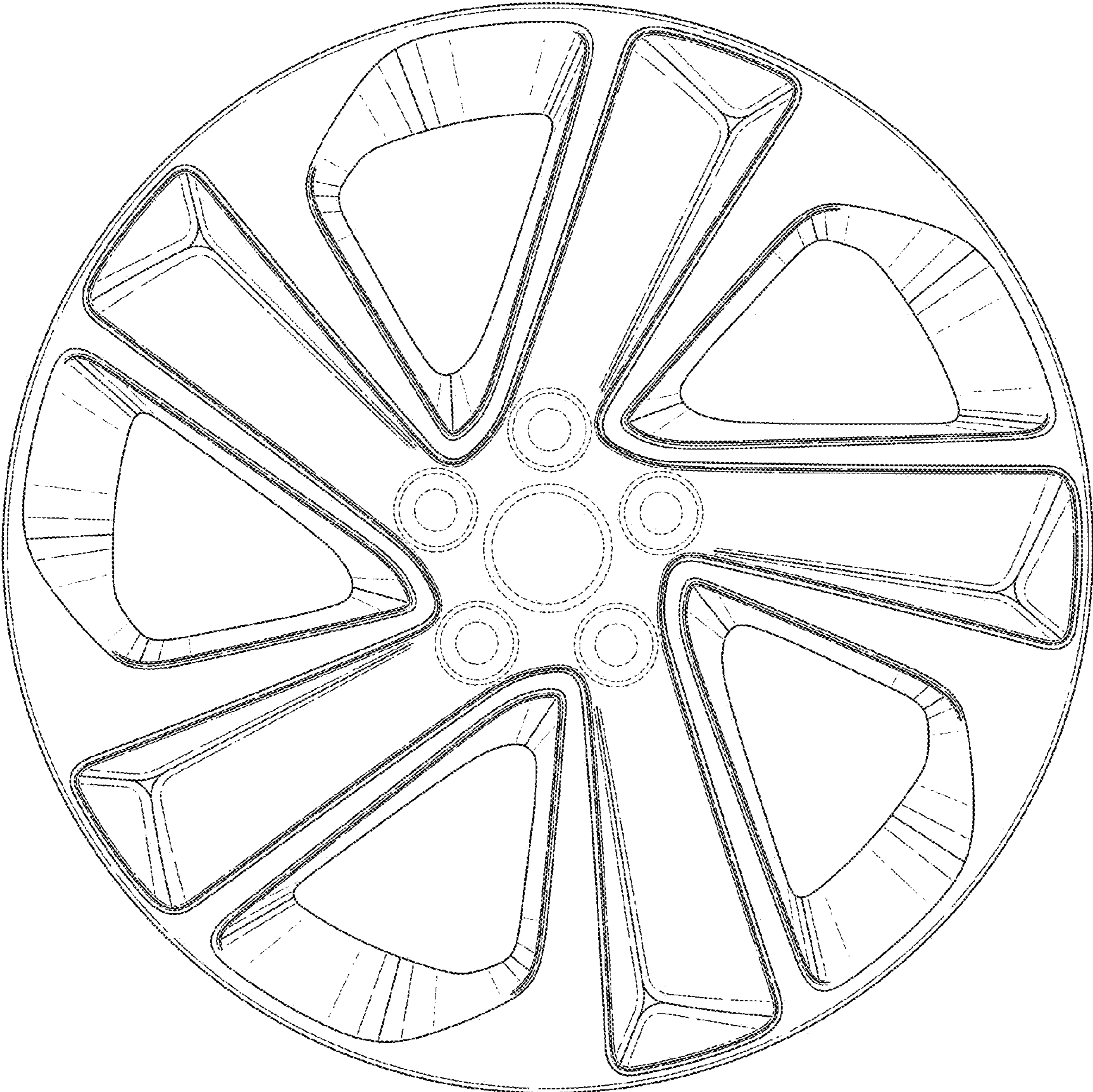


FIG. 3

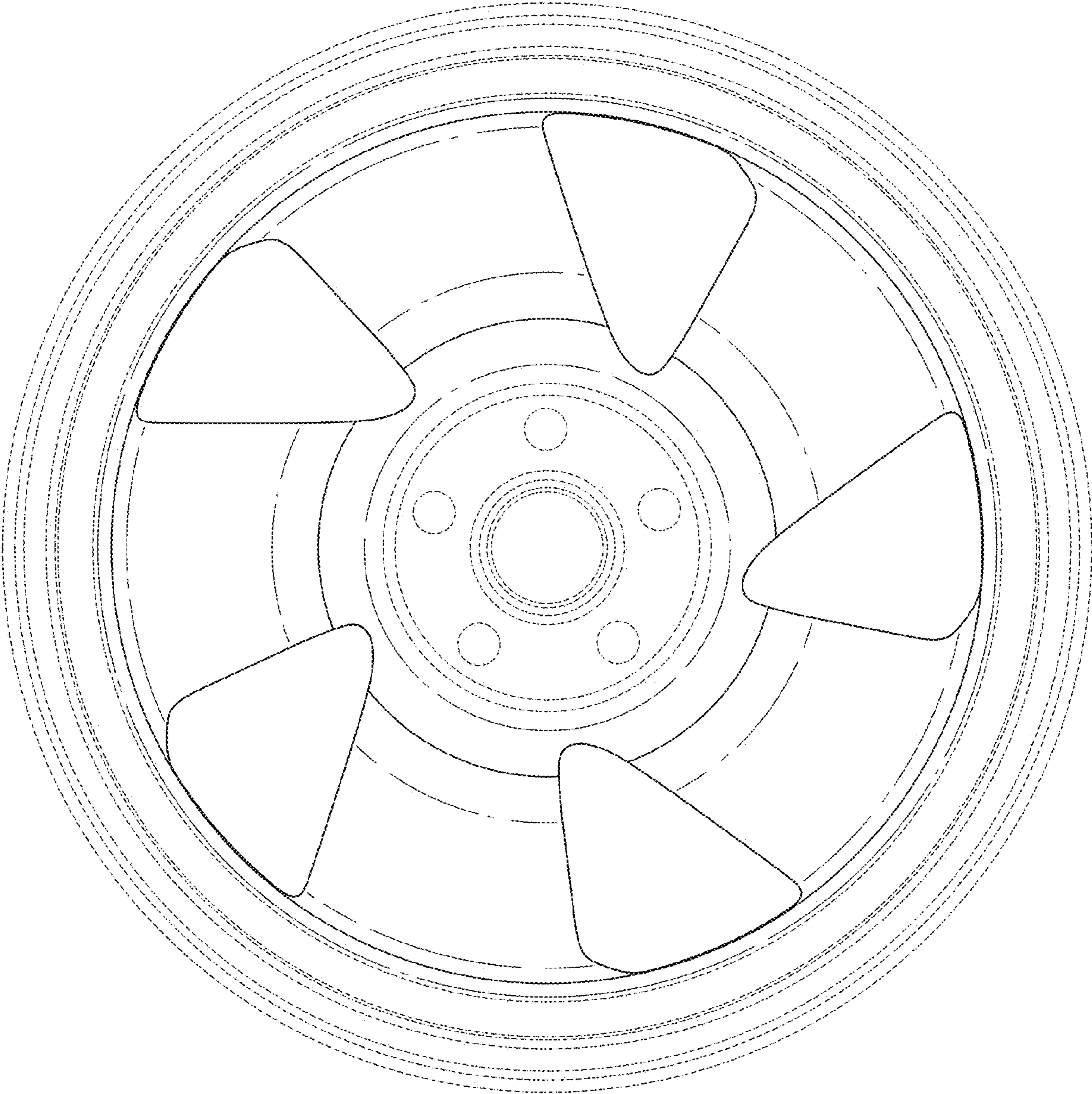


FIG. 4

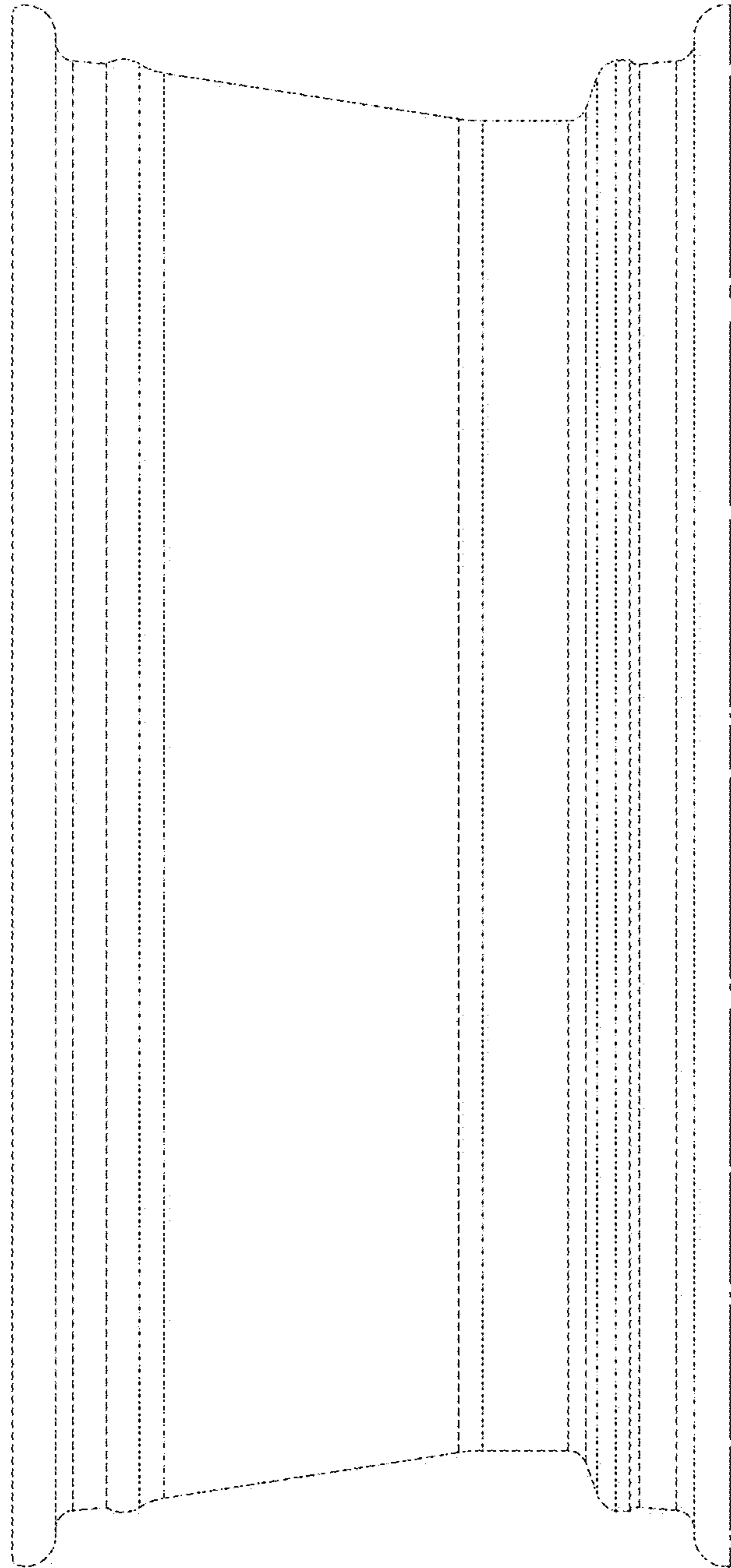


FIG. 5

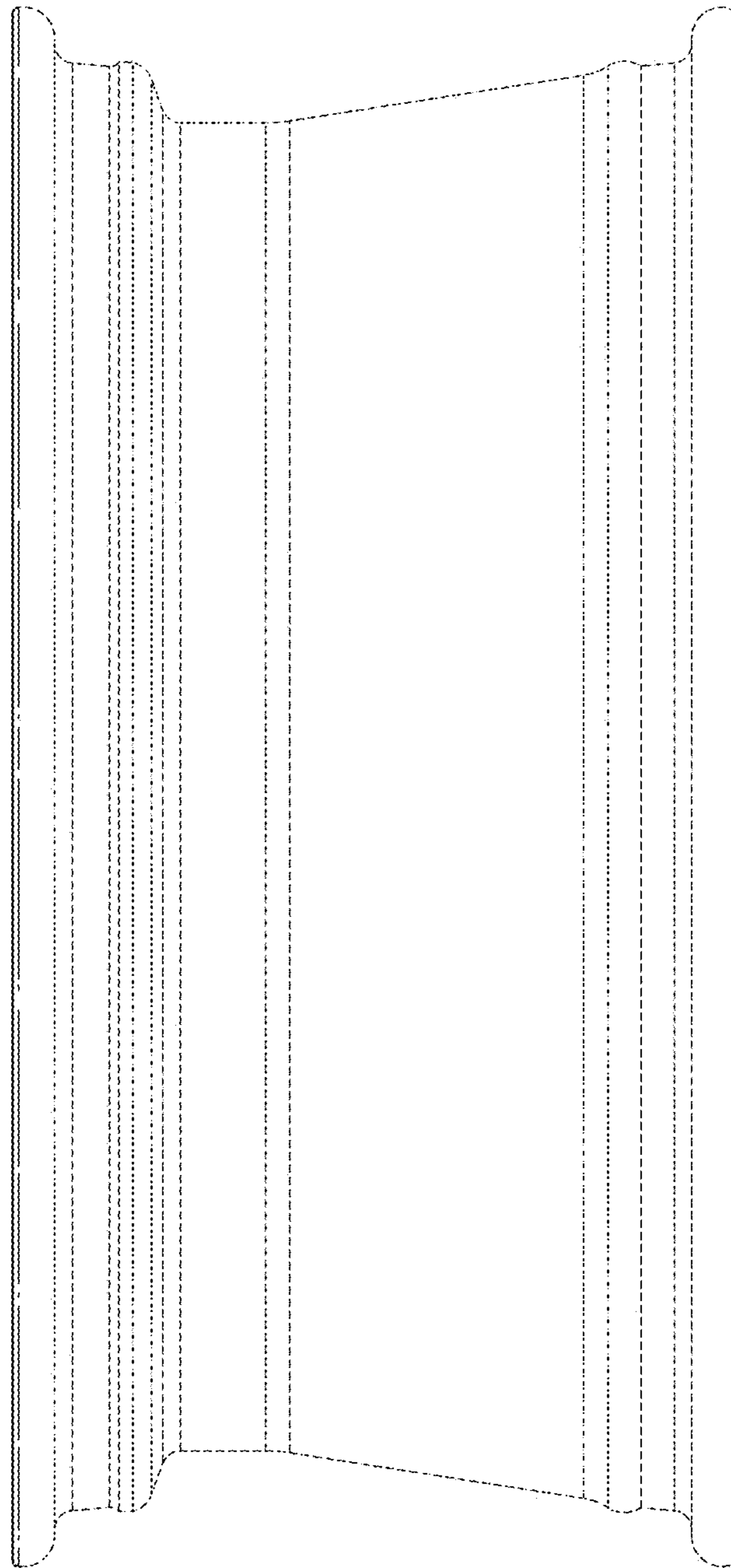


FIG. 6



FIG. 7



FIG. 8