



US00D936550S

(12) **United States Design Patent**  
**Tovey**

(10) **Patent No.:** **US D936,550 S**

(45) **Date of Patent:** **\*\* Nov. 23, 2021**

(54) **VEHICLE WHEEL**

(71) Applicant: **JAGUAR LAND ROVER LIMITED,**  
Coventry (GB)

(72) Inventor: **Simon Tovey,** Coventry (GB)

(73) Assignee: **JAGUAR LAND ROVER LIMITED,**  
Coventry (GB)

(\*\*) Term: **15 Years**

(21) Appl. No.: **29/743,706**

(22) Filed: **Jul. 23, 2020**

(30) **Foreign Application Priority Data**

Jan. 24, 2020 (EM) ..... 007552955-0017

(51) **LOC (13) Cl.** ..... **12-16**

(52) **U.S. Cl.**  
USPC ..... **D12/209**

(58) **Field of Classification Search**  
USPC ..... D12/204–213; D21/563  
CPC .... B60B 7/00; B60B 7/02; B60B 7/04; B60B  
7/01; B60B 7/06; B60B 3/02; B60B 3/04;  
B60B 3/06; B60B 3/10; B60B 1/00;  
B60B 1/08; B60B 1/10; B60B 1/12  
See application file for complete search history.

(56) **References Cited**

**U.S. PATENT DOCUMENTS**

D530,657 S	*	10/2006	Pfeiffer	.....	D12/211
D579,399 S	*	10/2008	Schweizer	.....	D12/211
D594,396 S	*	6/2009	Juergens	.....	D12/209
D594,802 S	*	6/2009	Gustafsson	.....	D12/211
D613,656 S	*	4/2010	Antoniadis	.....	D12/209
D641,679 S	*	7/2011	Vardis	.....	D12/211
D644,154 S	*	8/2011	Antoniadis	.....	D12/209
D677,209 S	*	3/2013	Kono	.....	D12/211

D689,000 S	*	9/2013	Platto	.....	D12/209
D704,120 S	*	5/2014	Feuerherdt	.....	D12/211
D709,815 S	*	7/2014	Butterworth	.....	D12/209
D723,987 S	*	3/2015	Kito	.....	D12/209
D734,701 S	*	7/2015	Mielke	.....	D12/209
D741,237 S	*	10/2015	Furst	.....	D12/209
D760,139 S	*	6/2016	Dionisopoulos	.....	D12/209
D803,136 S	*	11/2017	Platto	.....	D12/211
D814,379 S	*	4/2018	Cloke	.....	D12/209
D840,897 S	*	2/2019	Aiba	.....	D12/209
D858,412 S	*	9/2019	Daniel	.....	D12/209
D859,268 S	*	9/2019	Rosello Visa	.....	D12/209
D867,957 S	*	11/2019	Kato	.....	D12/209
D879,698 S	*	3/2020	Chan	.....	D12/209
D887,337 S	*	6/2020	Daniel	.....	D12/209
D890,060 S	*	7/2020	Buttigieg	.....	D12/209
D892,703 S	*	8/2020	Bae	.....	D12/209
D895,521 S	*	9/2020	Badstuebner	.....	D12/211
D899,337 S	*	10/2020	Melikian	.....	D12/209
D899,992 S	*	10/2020	Melikian	.....	D12/209

\* cited by examiner

*Primary Examiner* — Stacia A Cadmus

(74) *Attorney, Agent, or Firm* — Reising Ethington P.C.

(57) **CLAIM**

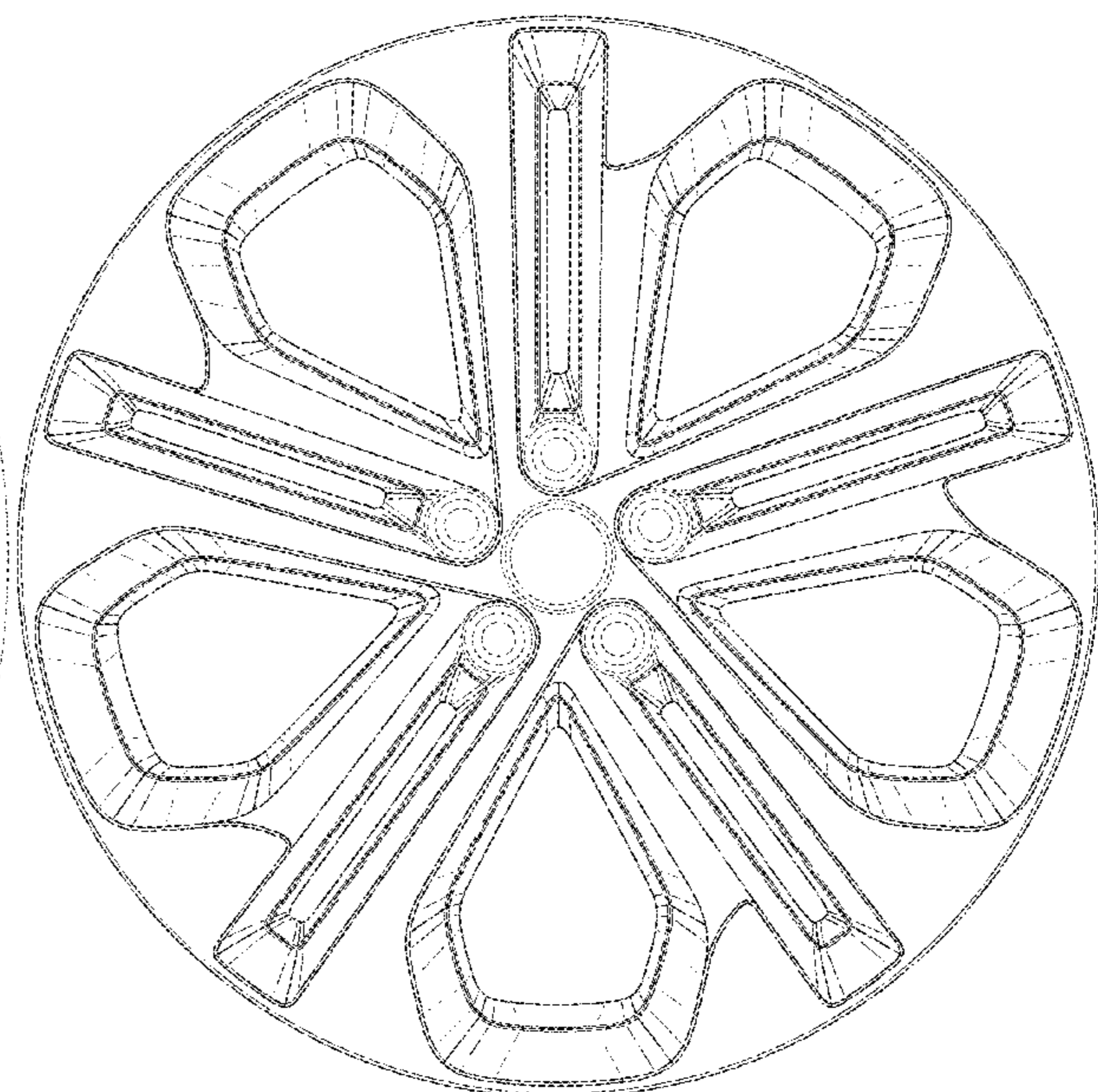
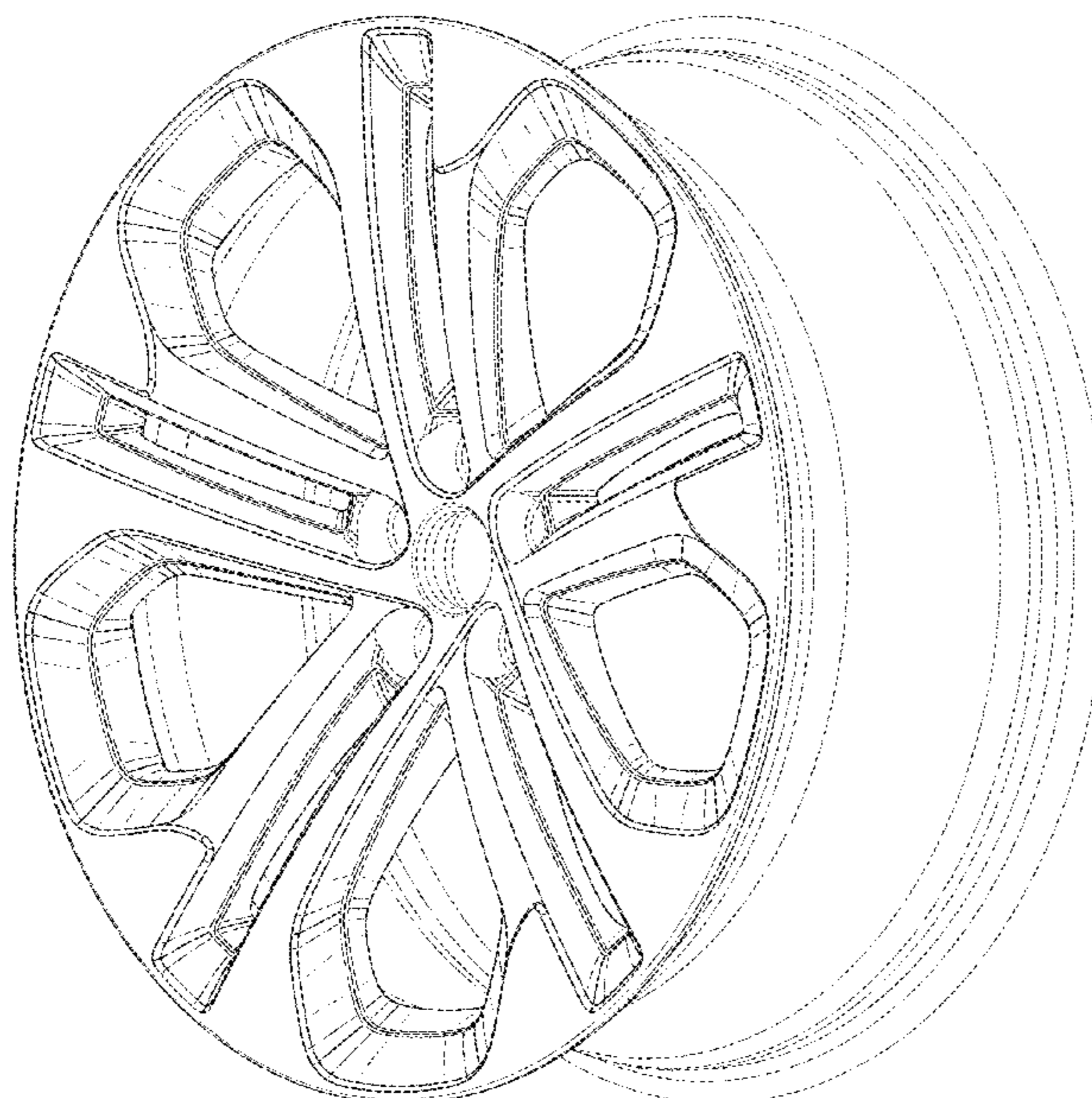
The ornamental design for a vehicle wheel, as shown and described.

**DESCRIPTION**

FIG. 1 is a frontside perspective view of the vehicle wheel;  
FIG. 2 is a rear side perspective view thereof;  
FIG. 3 is a front view thereof;  
FIG. 4 is a rear view thereof;  
FIG. 5 is a left side view thereof;  
FIG. 6 is a right side view thereof;  
FIG. 7 is a top view thereof; and,  
FIG. 8 is a bottom view thereof.

The broken lines shown in the drawings depict portions of the vehicle wheel that form no part of the claimed design.

**1 Claim, 8 Drawing Sheets**



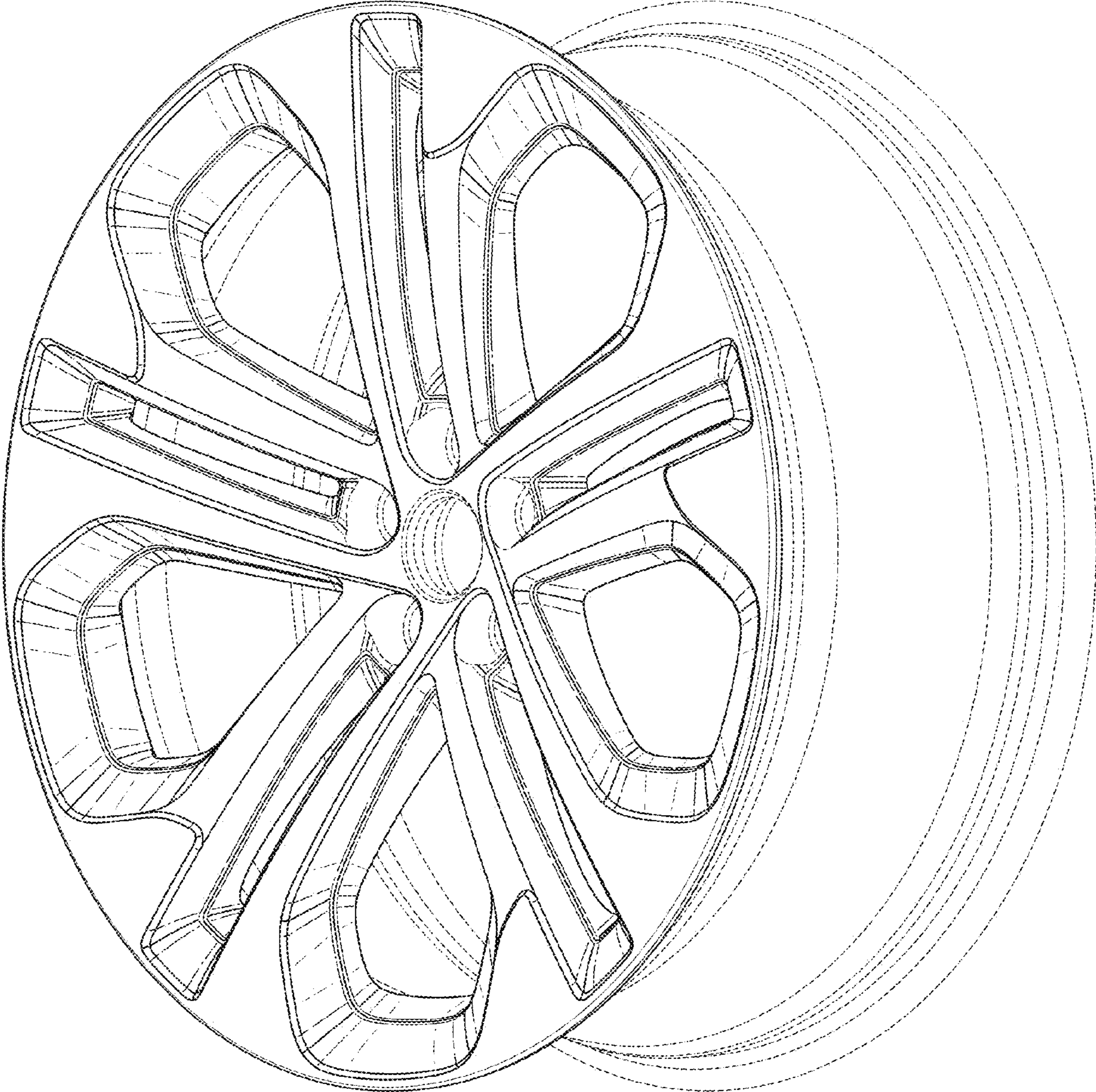


FIG. 1

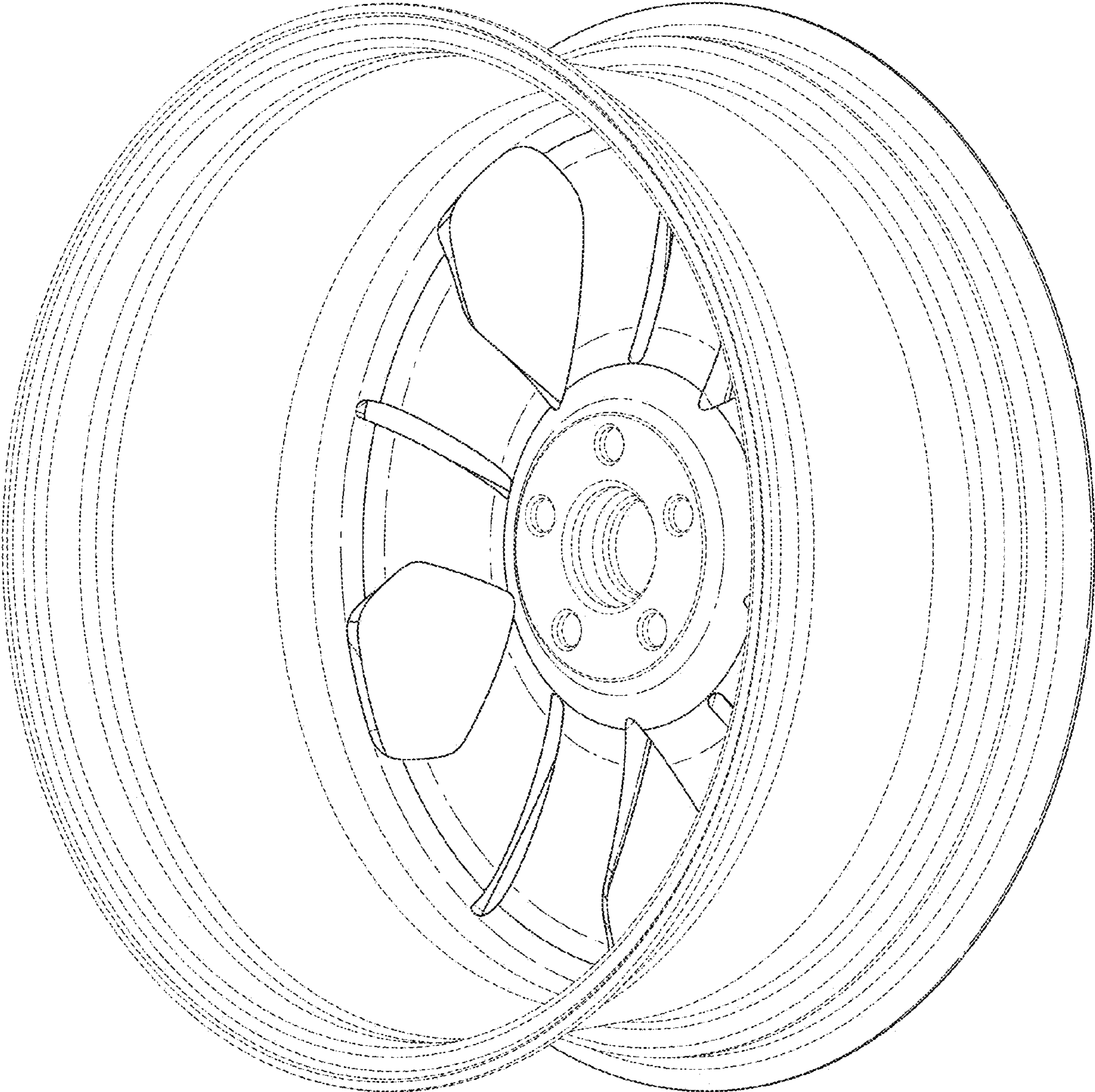


FIG. 2

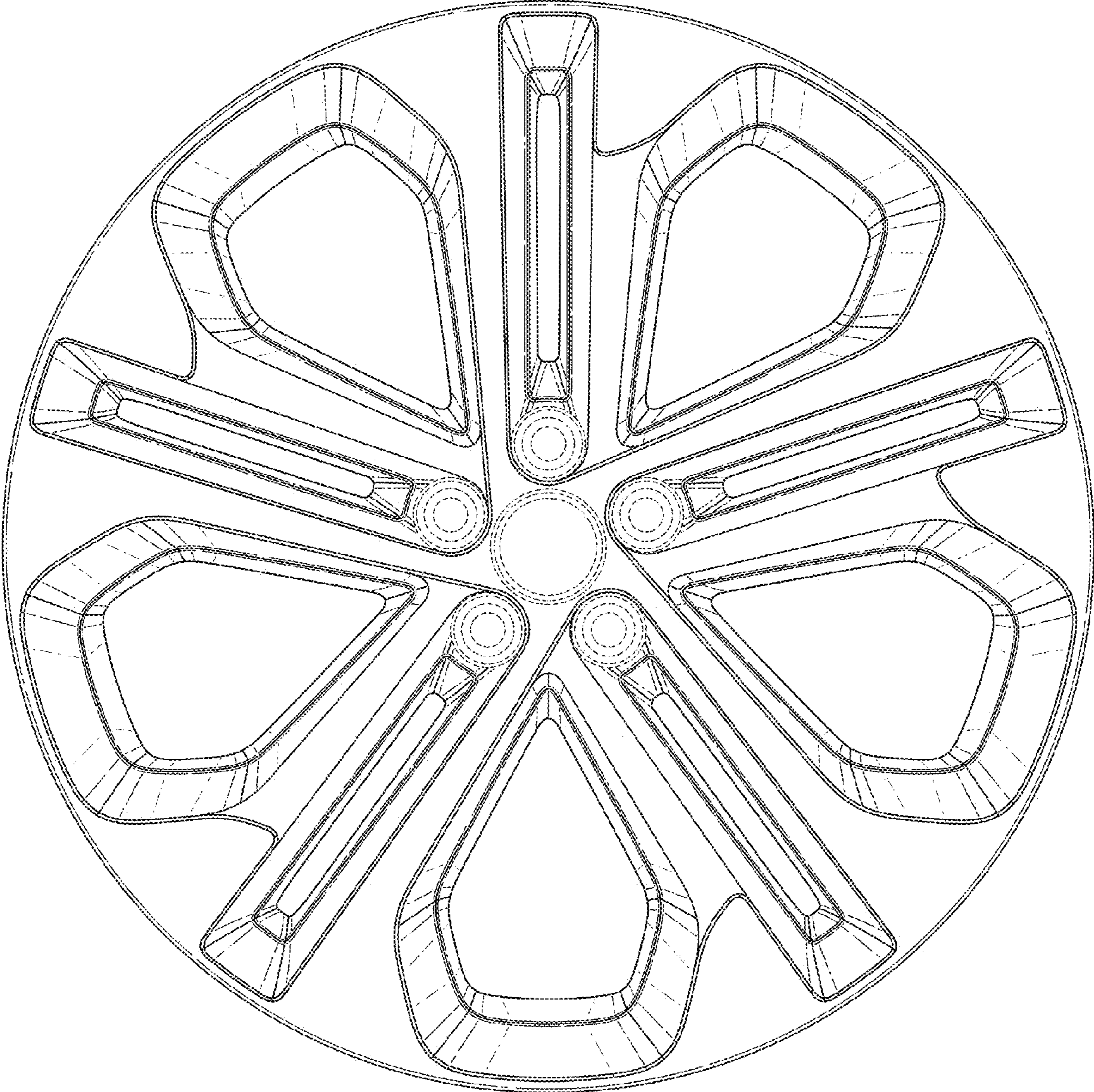


FIG. 3

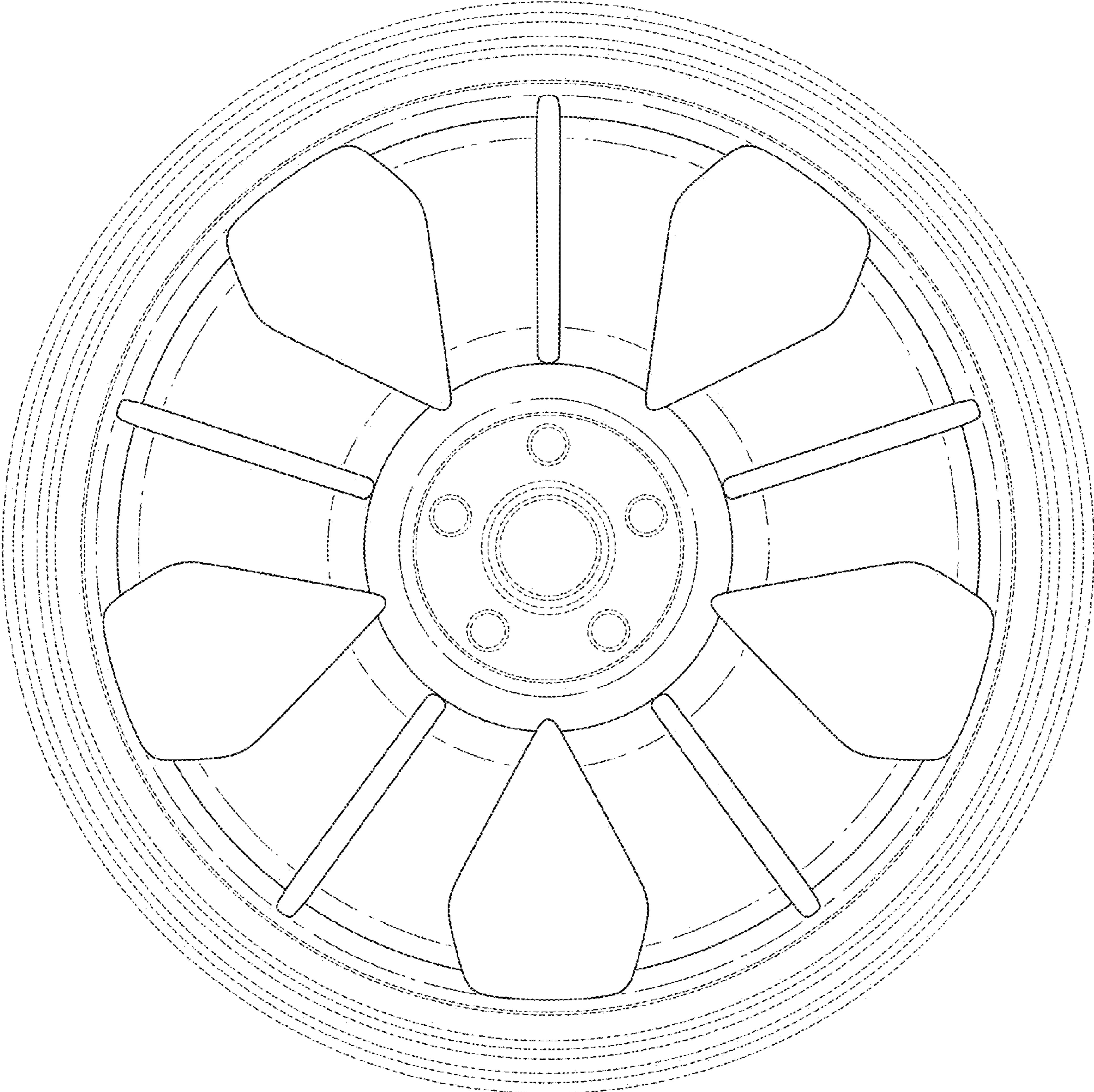


FIG. 4

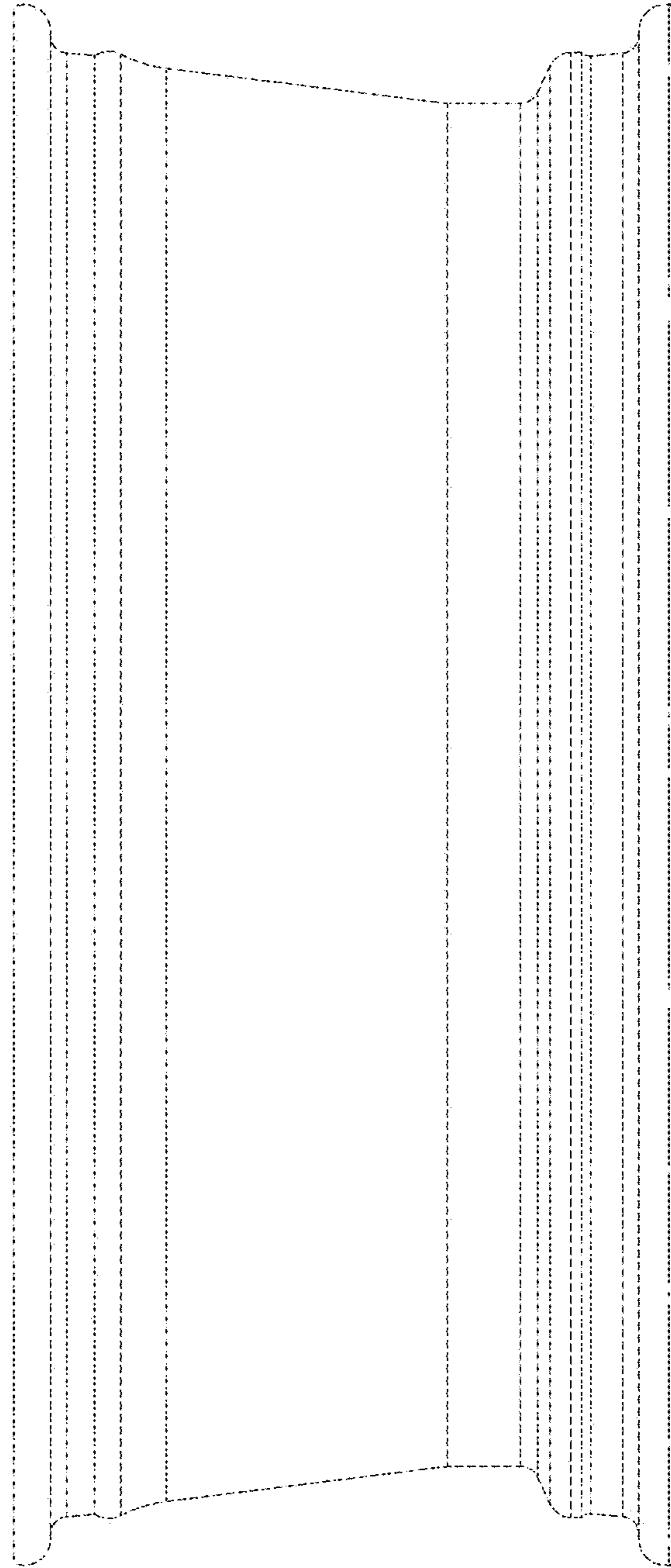


FIG. 5

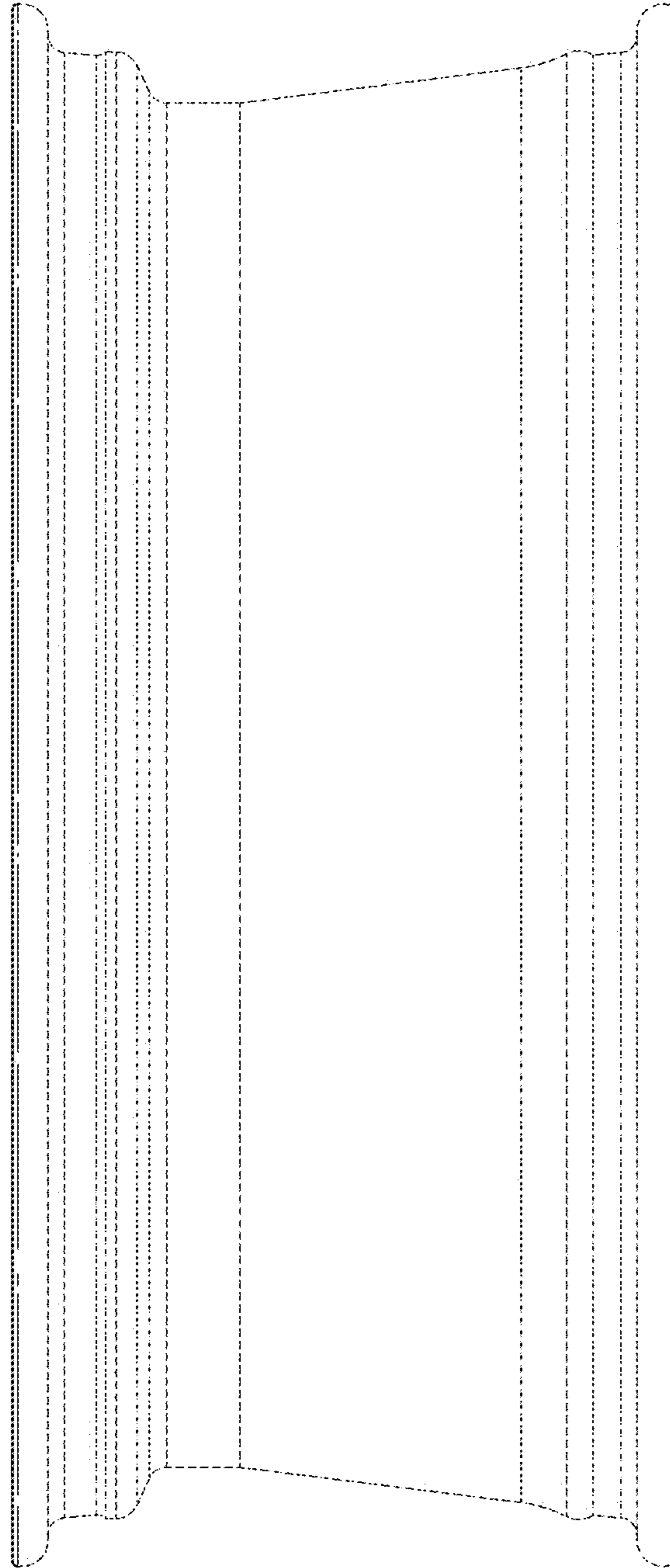


FIG. 6

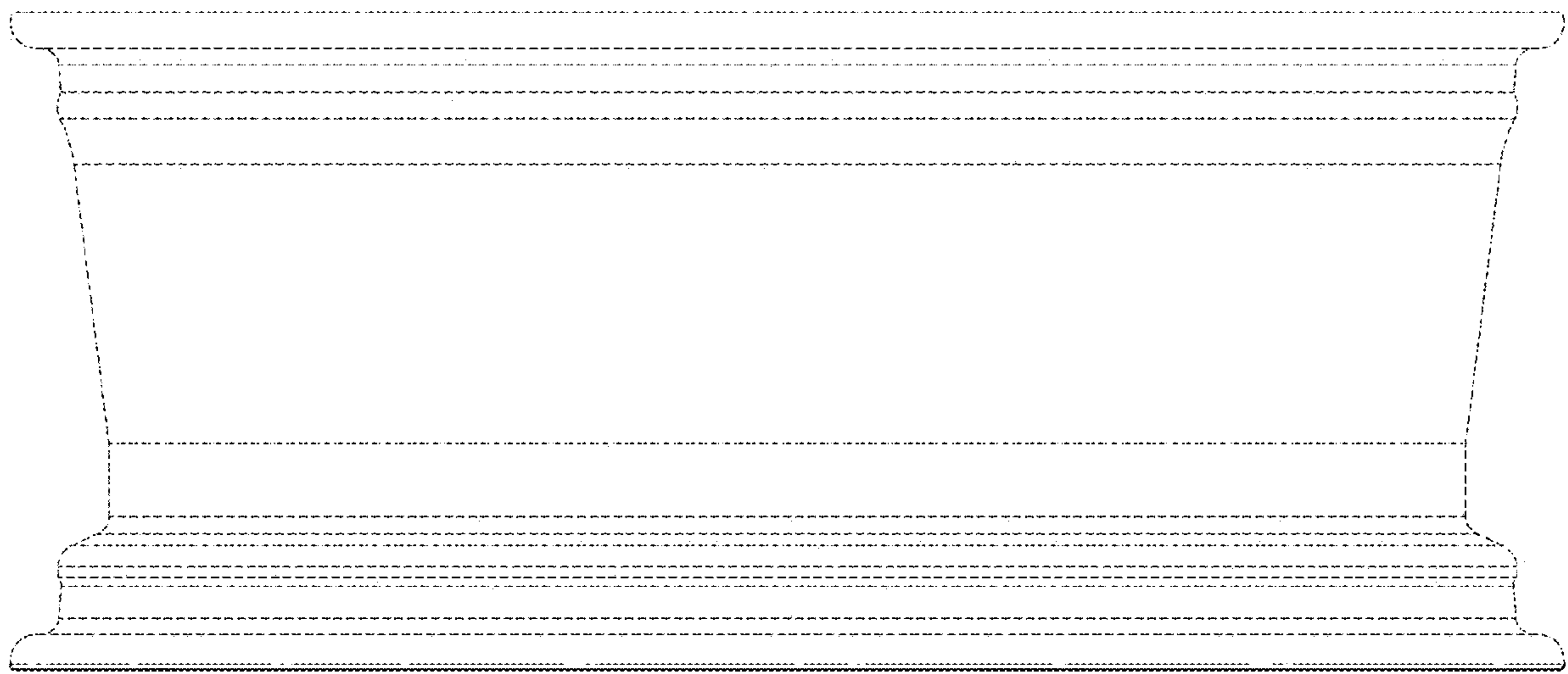


FIG. 7





FIG. 8