



US00D936548S

(12) **United States Design Patent** (10) **Patent No.:** **US D936,548 S**
Li (45) **Date of Patent:** **** Nov. 23, 2021**

(54) **INSTRUMENT CONSOLE**
(71) Applicant: **Beijing Eli Electric Vehicles Co., Ltd.**,
Beijing (CN)
(72) Inventor: **Binhan Li**, Beijing (CN)
(73) Assignee: **BEIJING ELECTRONIC VEHICLES**
CO., LTD., Beijing (CN)

D847,057 S * 4/2019 Kono D12/192
D853,919 S * 7/2019 Hazumi D12/192
D860,892 S * 9/2019 Ohmori D12/192
D863,162 S * 10/2019 Schneider D12/192
D864,816 S * 10/2019 Kabata D12/192
D881,095 S * 4/2020 Finney D12/192
D895,500 S * 9/2020 Nakao D12/192
D929,283 S * 8/2021 Komatsu D12/192

(**) Term: **15 Years**

FOREIGN PATENT DOCUMENTS

CN 305996089 S 8/2020

(21) Appl. No.: **29/742,279**

* cited by examiner

(22) Filed: **Jul. 17, 2020**

Primary Examiner — Katrina A Betton

(51) **LOC (13) Cl.** **12-16**

(74) *Attorney, Agent, or Firm* — Haug Partners LLP

(52) **U.S. Cl.**
USPC **D12/192**

(57) **CLAIM**

(58) **Field of Classification Search**
USPC D12/192, 415, 114, 345; D15/17, 28;
D10/46.98, 102-103, 122-127; D23/324
CPC B60H 1/34; B60H 1/3407; B60H 1/3414;
B60H 1/3421; B60H 1/3428; B60H
1/3435; B60H 1/3442; B60H 1/345;
B60H 1/3457; B60H 2001/3464; B60H
2001/3471; B60H 2001/3478; B60H
2001/3485

The ornamental design for an instrument console, as shown and described.

See application file for complete search history.

DESCRIPTION

(56) **References Cited**

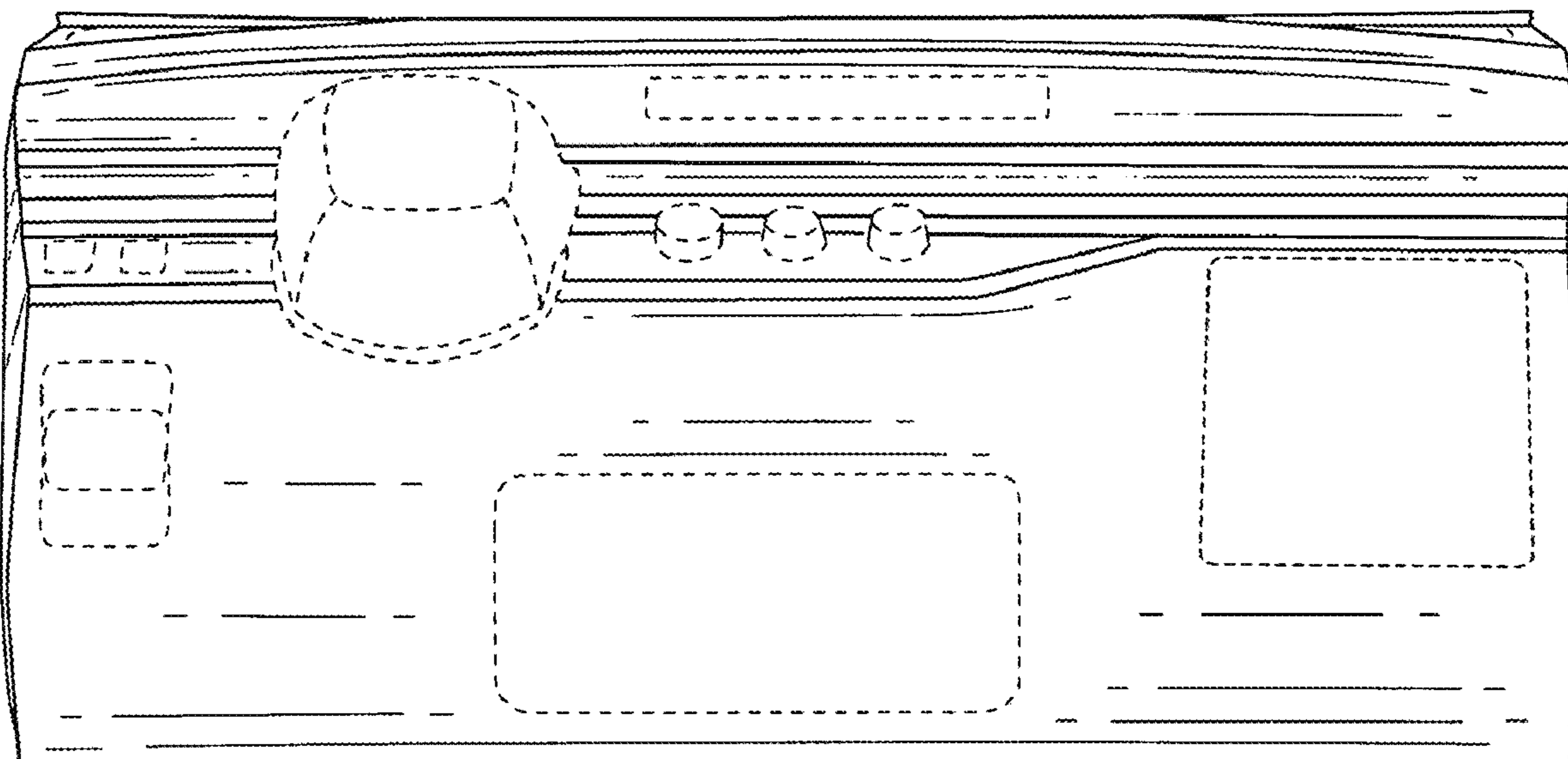
FIG. 1: is a front perspective view of the instrument console showing my new design;
FIG. 2: is a front plan view thereof;
FIG. 3: is a top plan view thereof;
FIG. 4: is a bottom plan view thereof,
FIG. 5: is a right side view thereof; and,
FIG. 6: is a left side view thereof.

U.S. PATENT DOCUMENTS

In the drawings, the broken lines illustrate portions of the article which form no part of the claimed design.

D843,288 S * 3/2019 Fontaeus D12/192
D847,054 S * 4/2019 Yamada D12/192

1 Claim, 6 Drawing Sheets



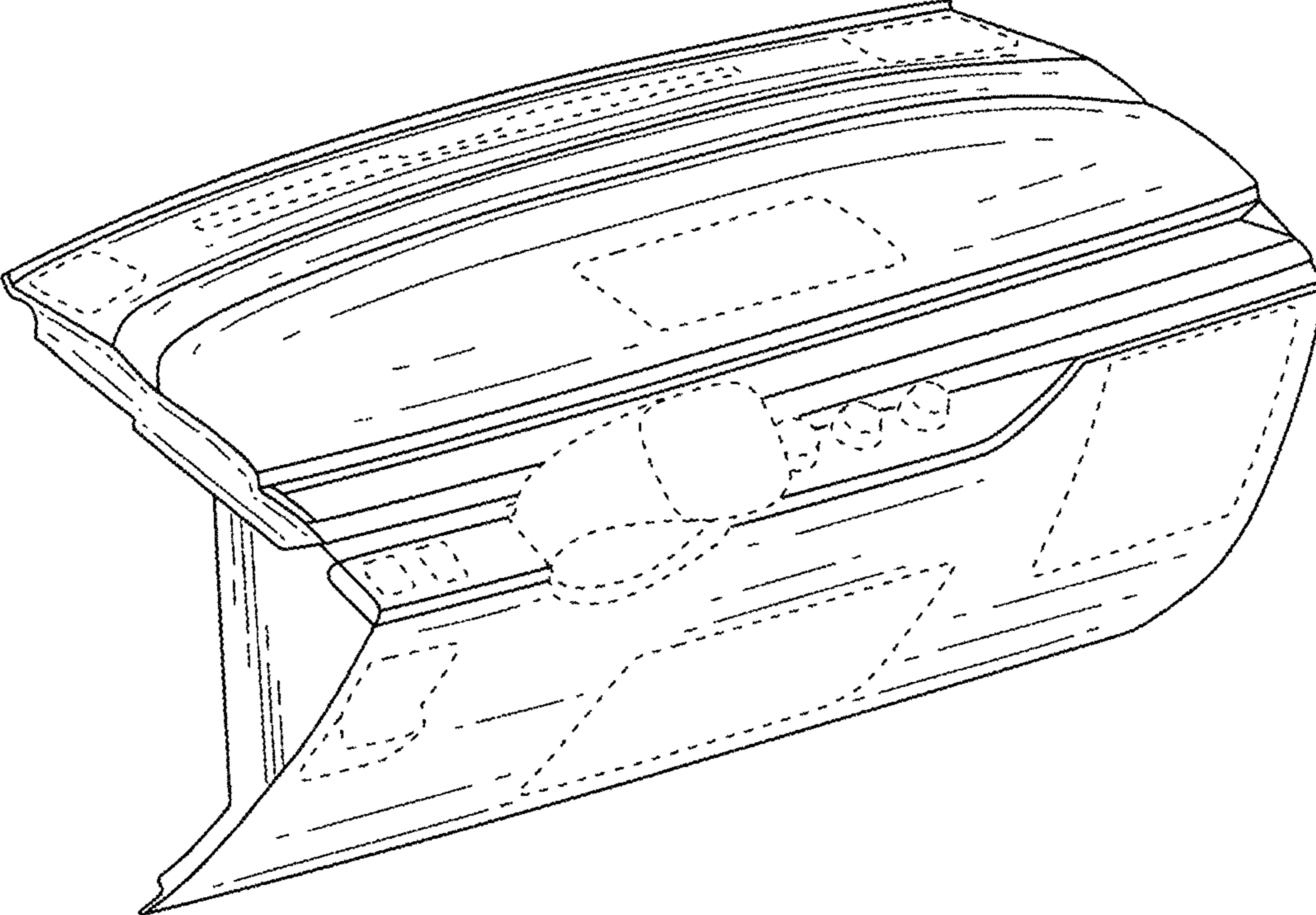


FIG. 1

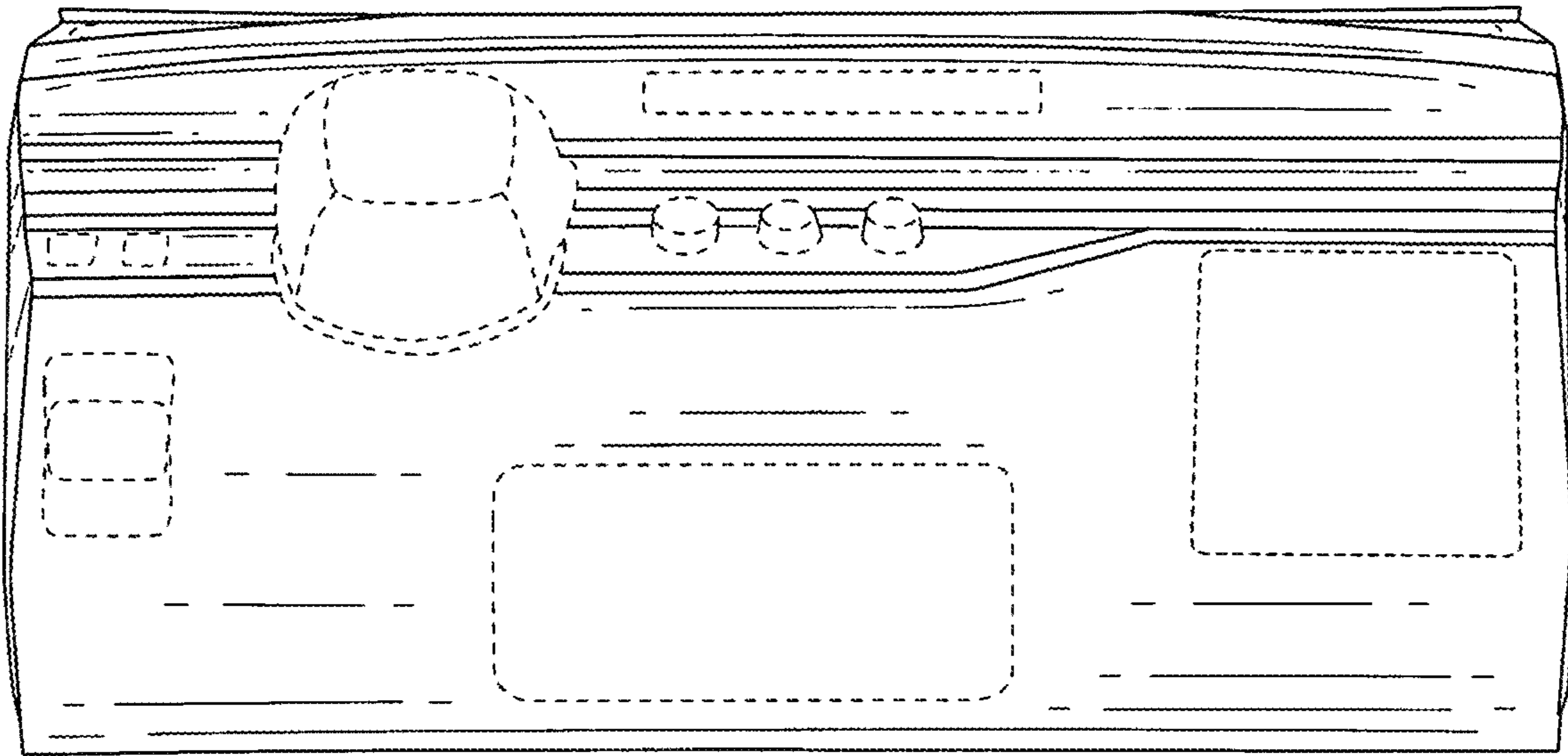


Fig. 2

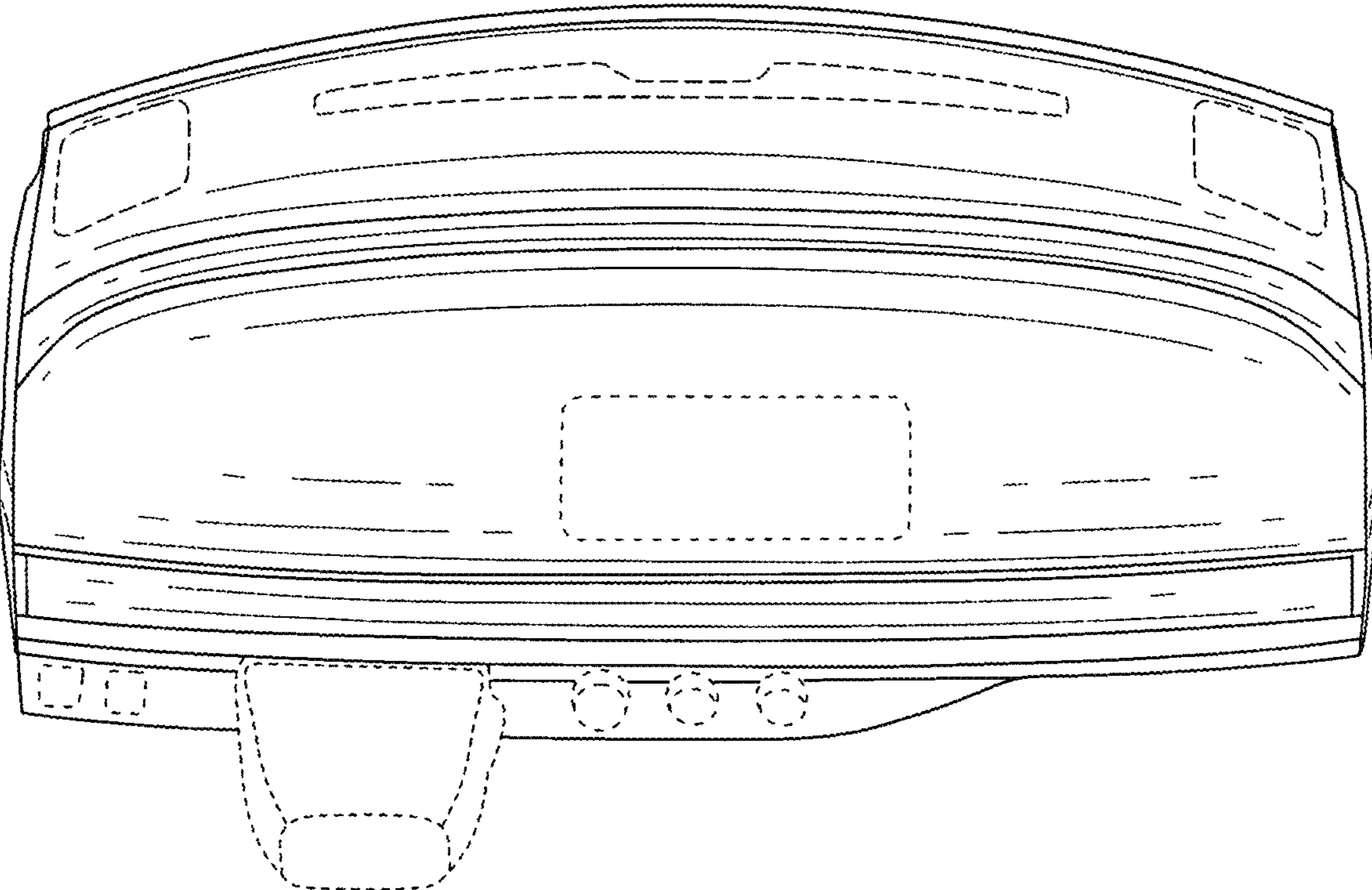


FIG. 3

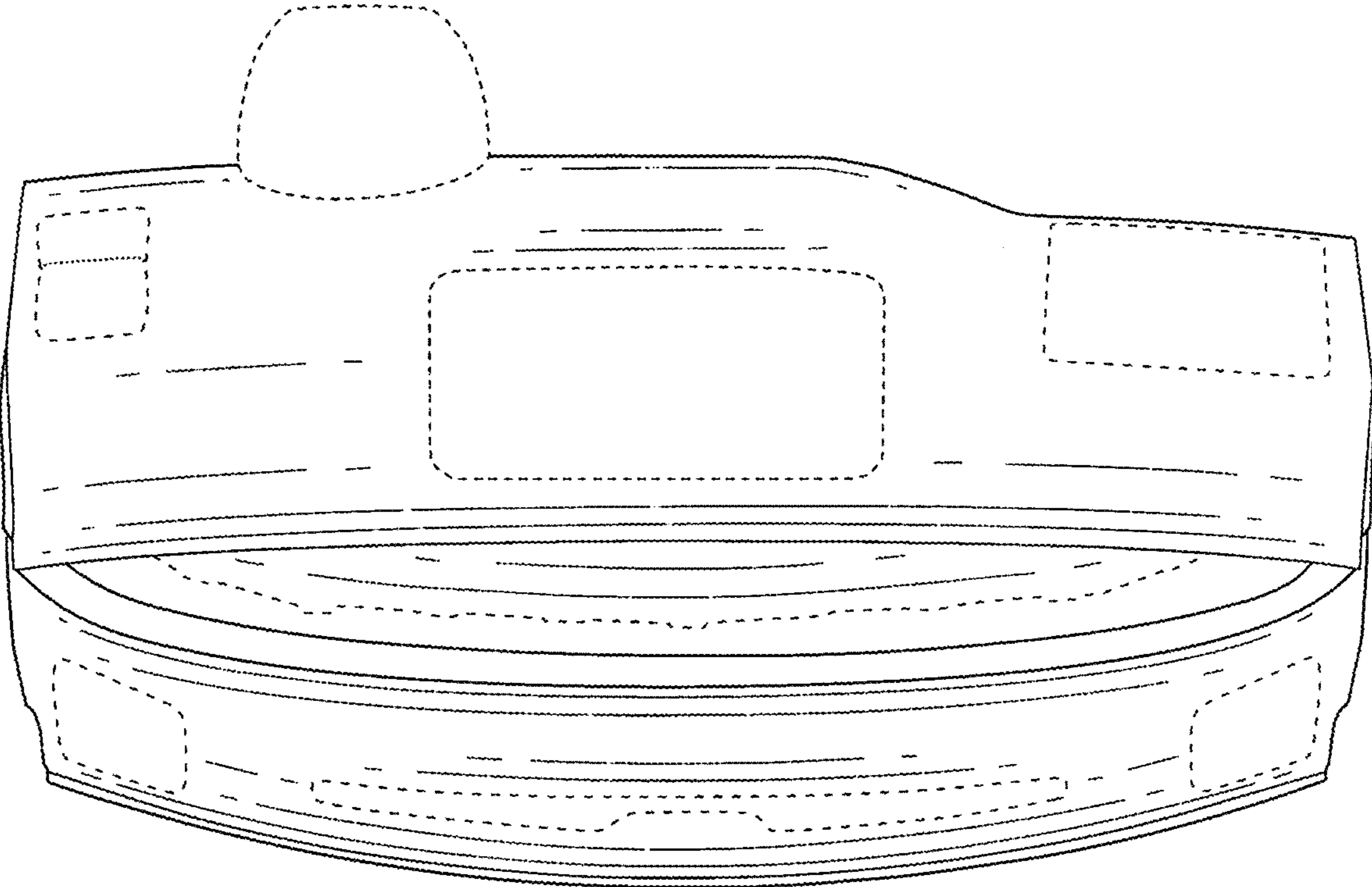


FIG. 4

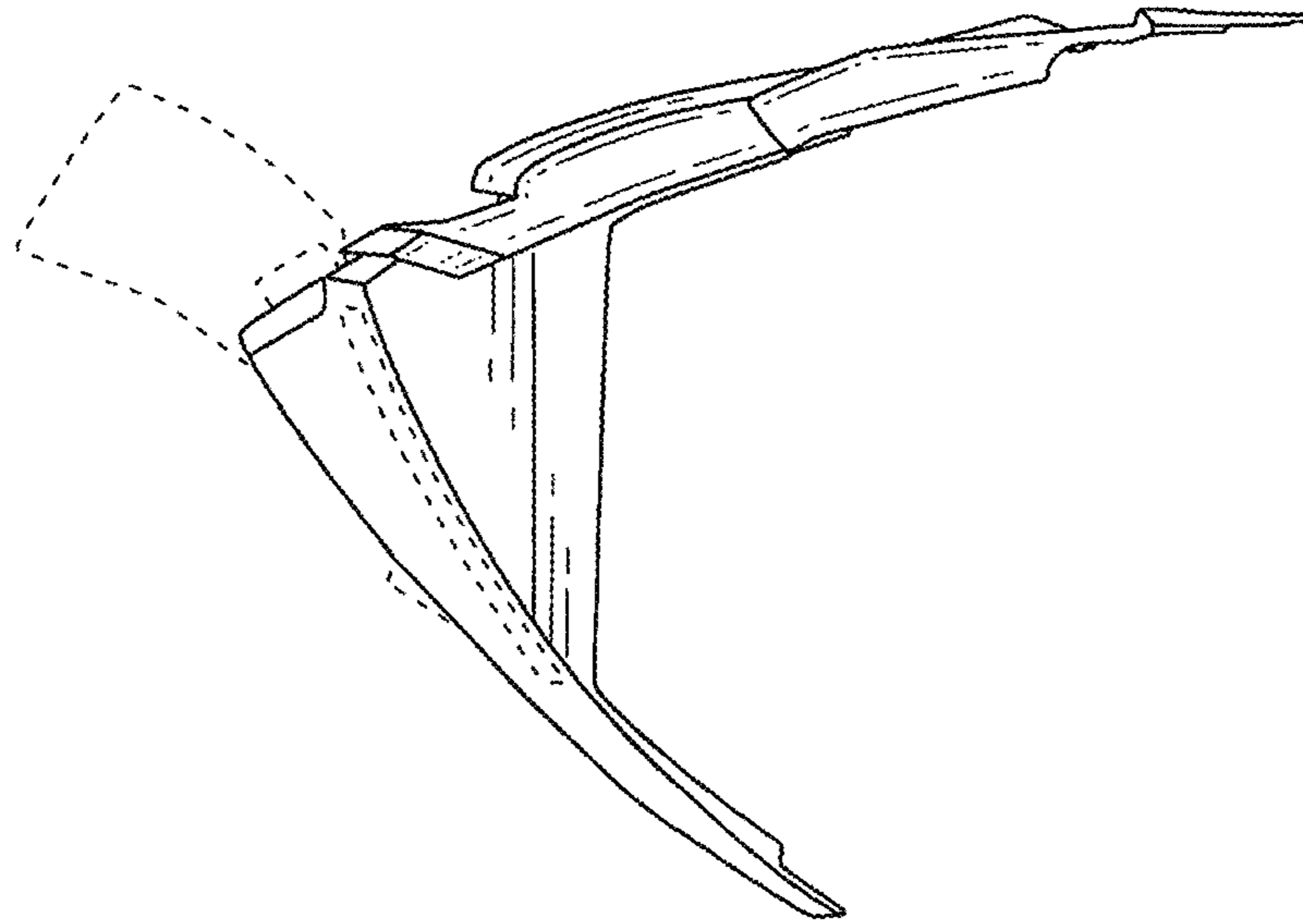


FIG. 5

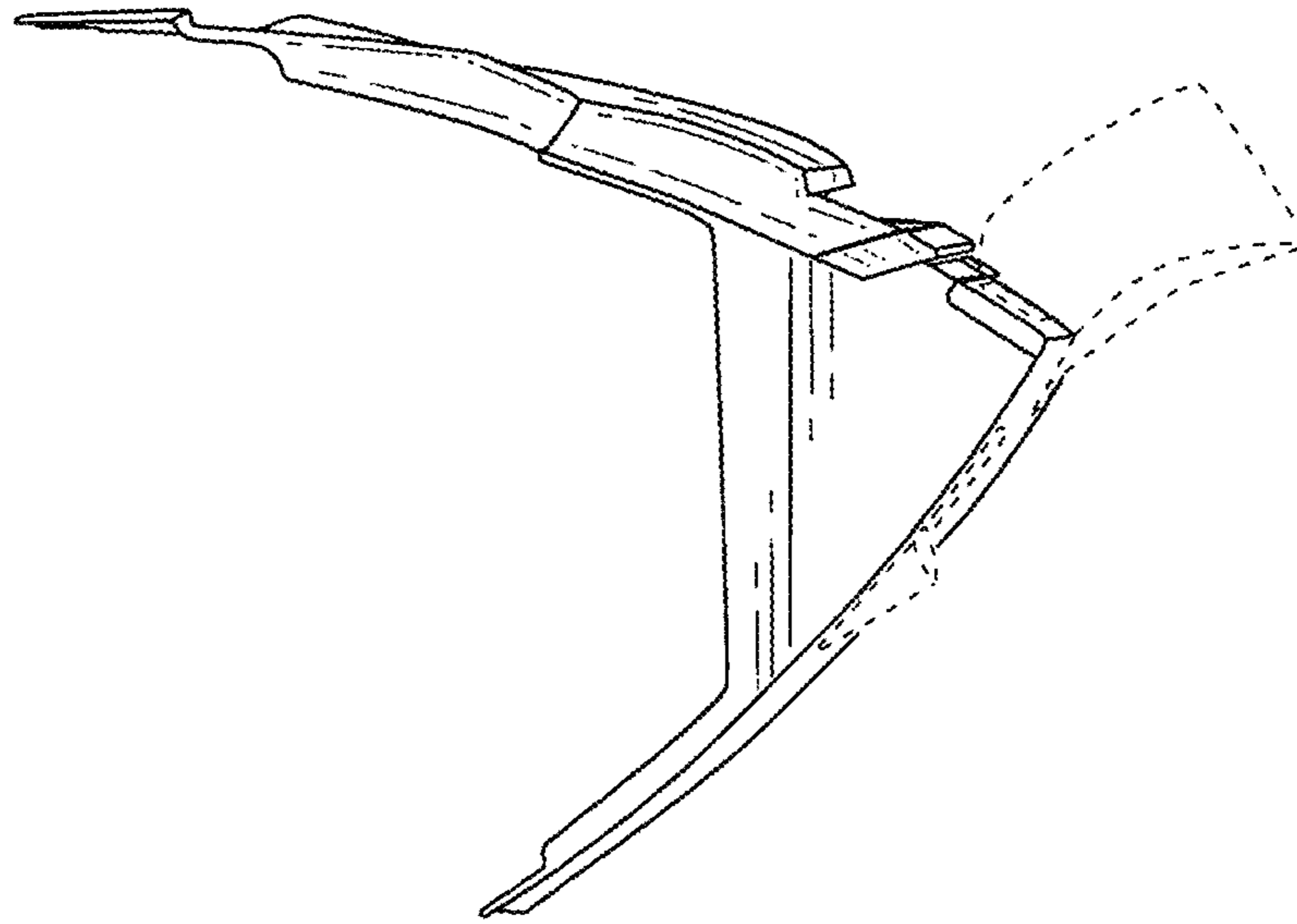


FIG. 6