



US00D936547S

(12) **United States Design Patent**
Schlapp et al.

(10) **Patent No.:** **US D936,547 S**

(45) **Date of Patent:** **** Nov. 23, 2021**

(54) **INSTRUMENT PANEL FOR AUTOMOBILE**

(71) Applicant: **Nissan Motor Co., Ltd.**, Kanagawa (JP)

(72) Inventors: **Daniel Schlapp**, London (GB); **Atsushi Satou**, Kanagawa (JP)

(73) Assignee: **Nissan Motor Co., Ltd.**, Yokohama (JP)

(**) Term: **15 Years**

(21) Appl. No.: **29/727,636**

(22) Filed: **Mar. 12, 2020**

(30) **Foreign Application Priority Data**

Sep. 13, 2019 (JP) 2019-020647

(51) **LOC (13) Cl.** **12-16**

(52) **U.S. Cl.**
USPC **D12/192**

(58) **Field of Classification Search**
USPC D12/114, 174, 175, 176, 177, 192, 345,
D12/190, 195, 415; D15/17, 28;
D10/46, 98, 102, 103, 122-127
CPC B60H 1/34; B60H 1/3407; B60H 1/3414;
B60H 1/3421; B60H 1/3428; B60H
1/3435; B60H 1/3442; B60H 1/345;
B60H 1/3457; B60K 37/00; B60K 37/02;
B60K 37/04
See application file for complete search history.

(56) **References Cited**

U.S. PATENT DOCUMENTS

D727,231 S * 4/2015 Narita D12/192
D731,938 S * 6/2015 Miyashita D12/192

D778,796 S * 2/2017 Gommier D12/192
D786,758 S * 5/2017 Chang D12/192
D795,146 S * 8/2017 Ogawa D12/192
D847,054 S * 4/2019 Yamada D12/192
D847,057 S * 4/2019 Kono D12/192
D853,919 S * 7/2019 Hazumi D12/192
D860,892 S * 9/2019 Ohmori D12/192
D863,162 S * 10/2019 Schneider D12/192
D863,167 S * 10/2019 Moir D12/192
D864,816 S * 10/2019 Kabata D12/192
D895,500 S * 9/2020 Nakao D12/192
D908,075 S * 1/2021 Park D12/415
D908,569 S * 1/2021 Bernal D12/192
D909,941 S * 2/2021 Perry D12/192
D915,964 S * 4/2021 Yu D12/192

* cited by examiner

Primary Examiner — Susan E Krakower

Assistant Examiner — Jerry Shiuian-Hua Hsu

(74) *Attorney, Agent, or Firm* — Global IP Counselors, LLP

(57) **CLAIM**

The ornamental design for an instrument panel for automobile, as shown and described.

DESCRIPTION

FIG. 1 is a front elevational view of an instrument panel for automobile, in accordance with our new design. The mirror image of the instrument panel is claimed but not shown; FIG. 2 is a top plan view thereof; FIG. 3 is a bottom plan view thereof; FIG. 4 is a left side elevational view thereof; FIG. 5 is a right side elevational view thereof; FIG. 6 is a front, right perspective view thereof; and, FIG. 7 is a front, left perspective view thereof. The broken lines illustrate portions of the instrument panel for automobile that form no part of the claimed design.

1 Claim, 7 Drawing Sheets

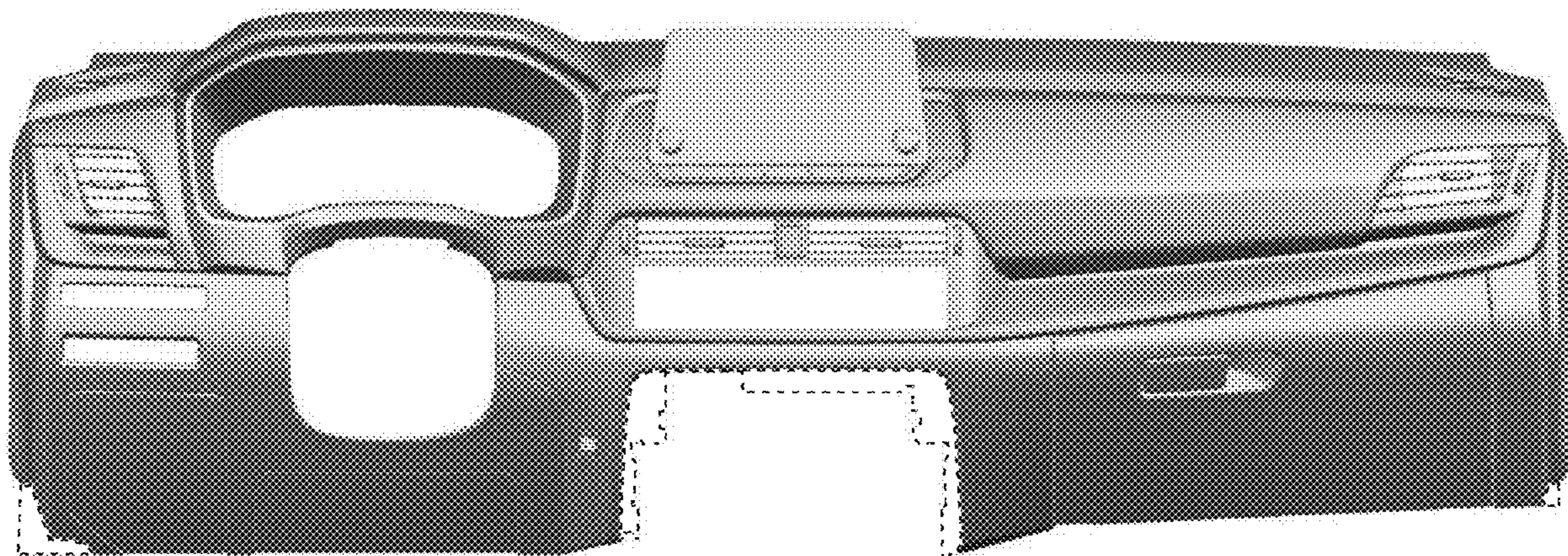




FIG. 1



FIG. 2

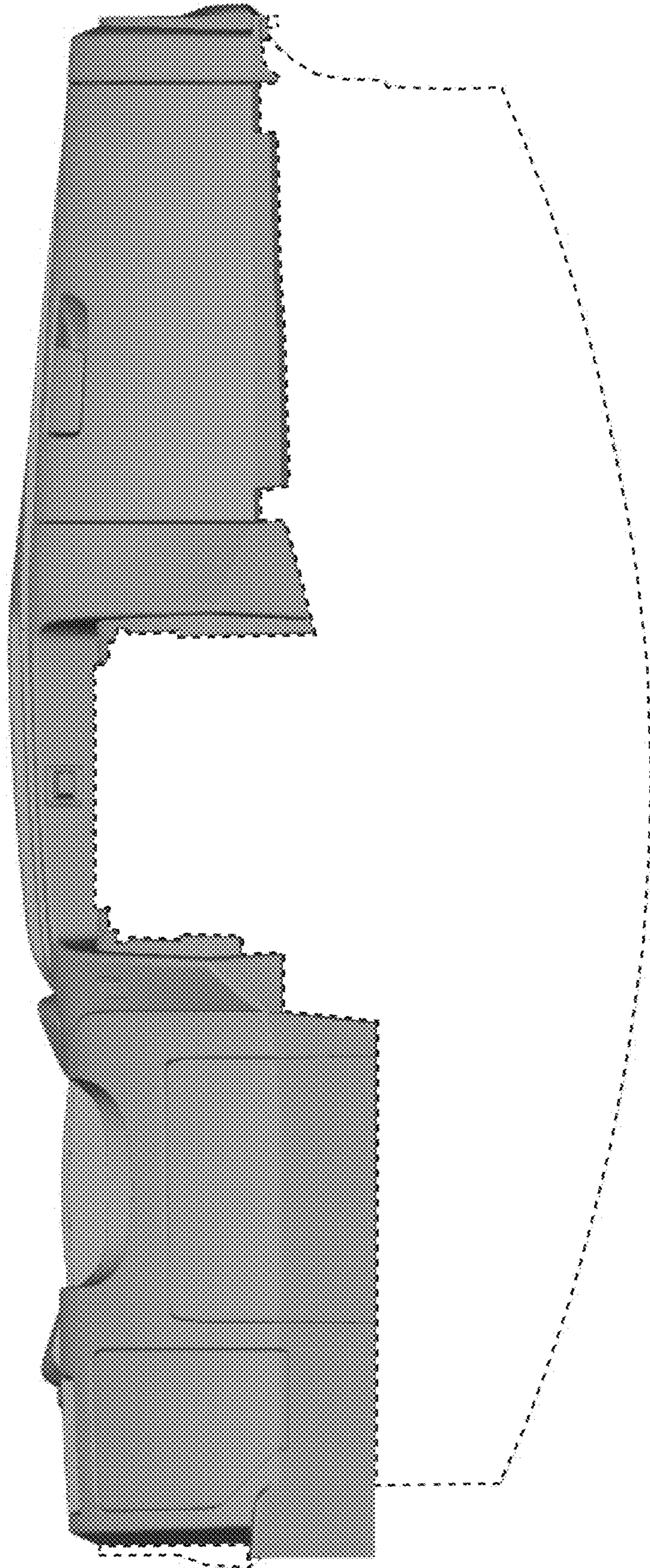


FIG. 3

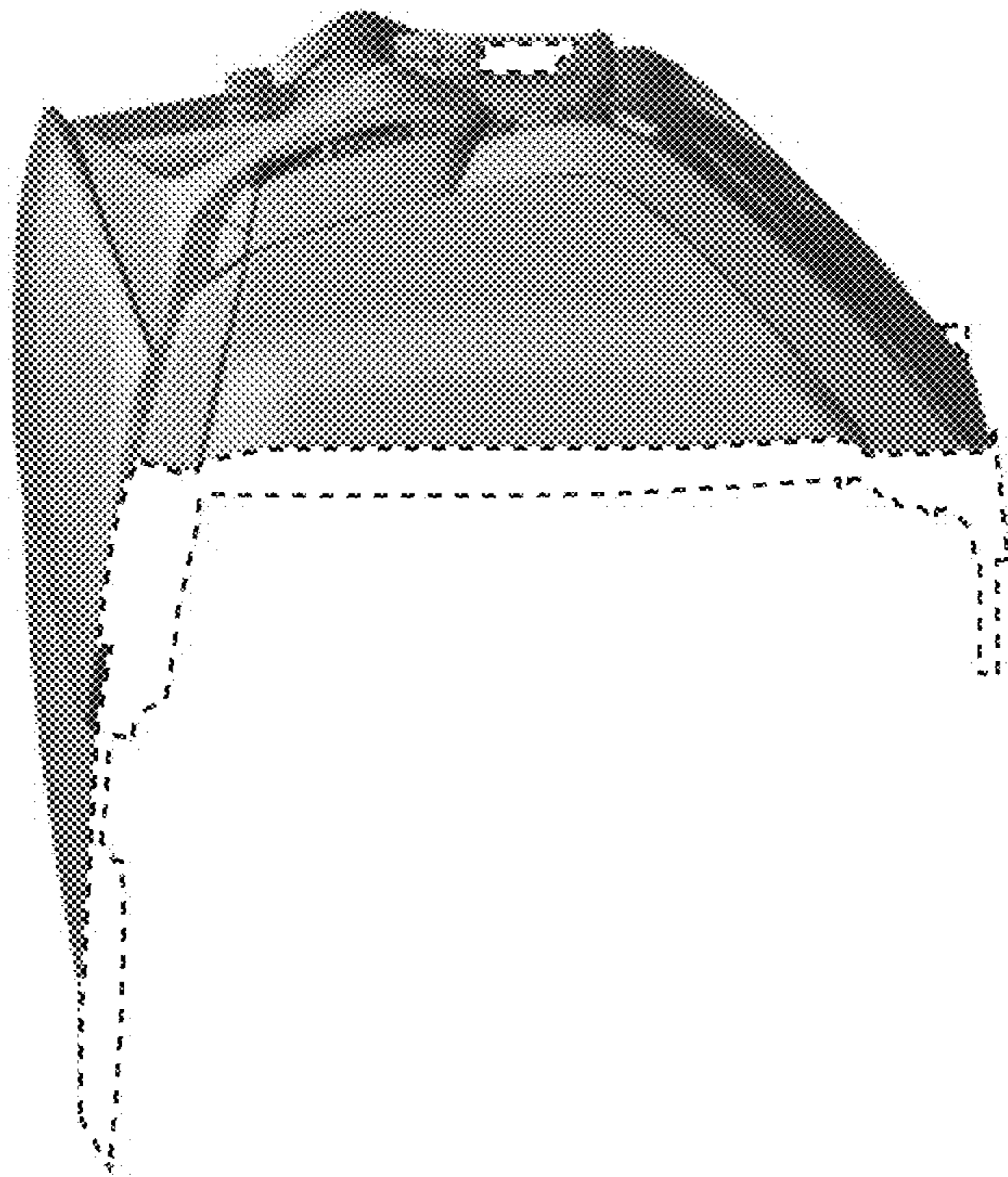


FIG. 4

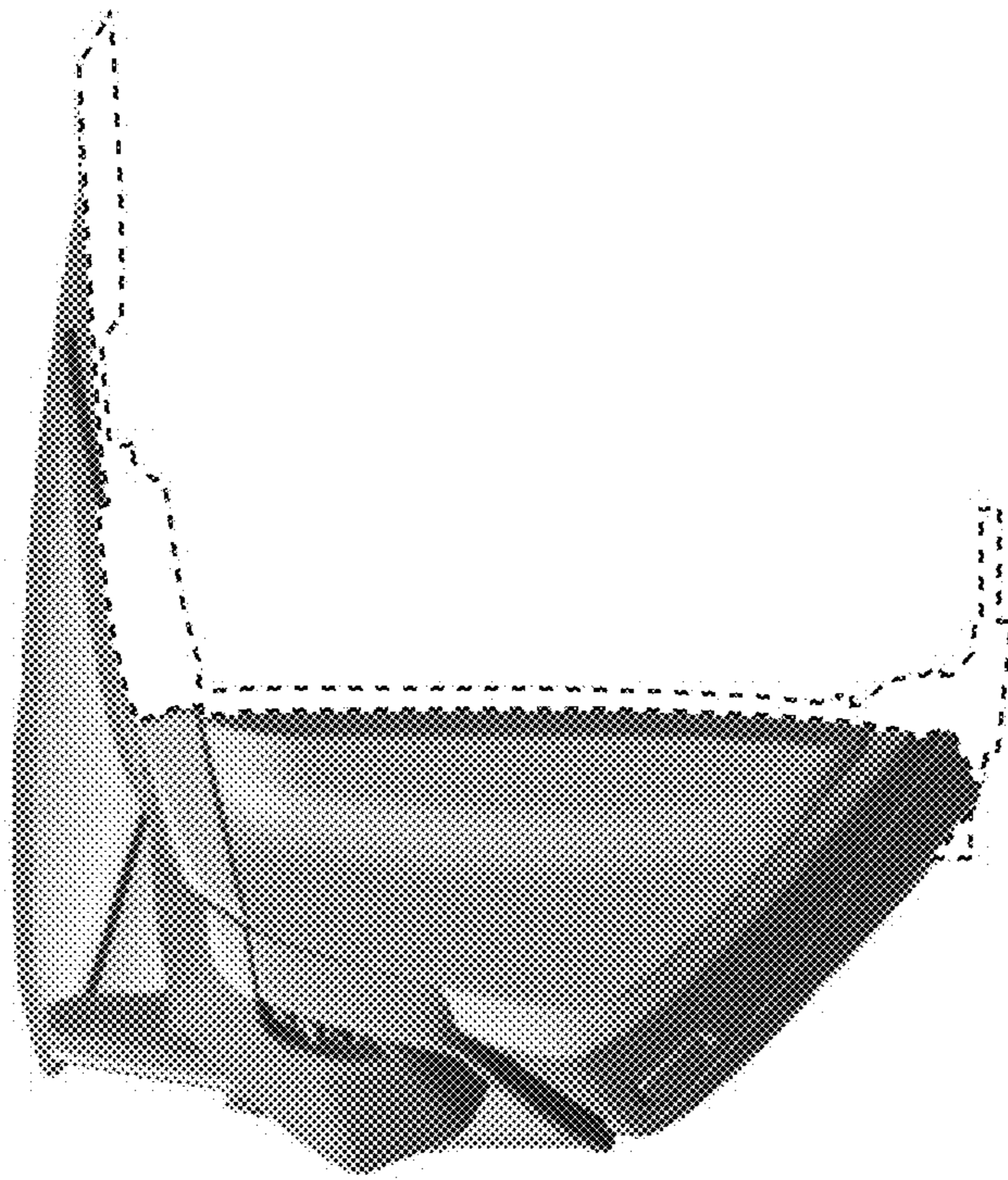


FIG. 5

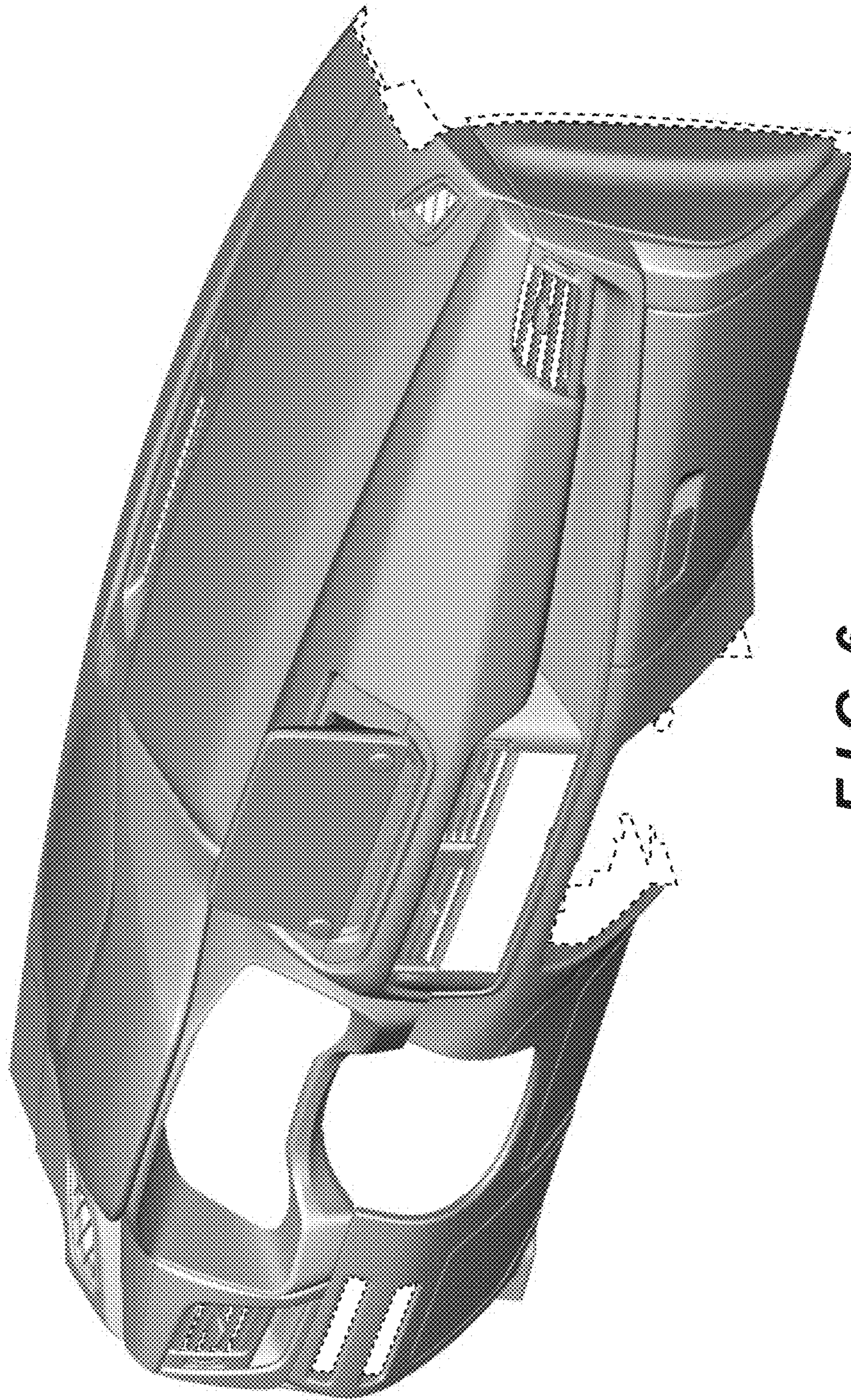


FIG. 6

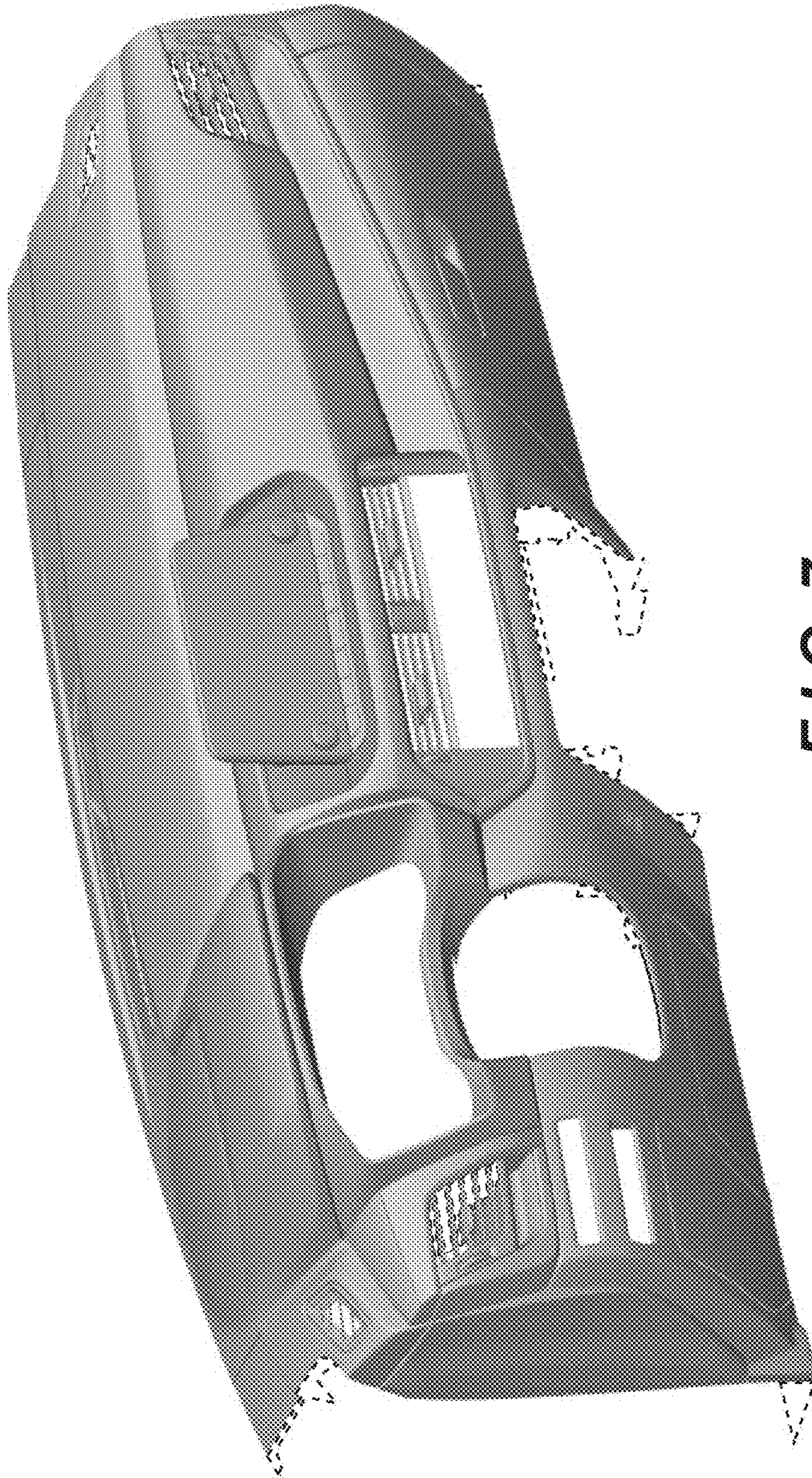


FIG. 7