



US00D936546S

(12) **United States Design Patent** (10) **Patent No.:** **US D936,546 S**
Mangan et al. (45) **Date of Patent:** **** Nov. 23, 2021**

(54) **VEHICLE INTERIOR MOLDING**
(71) Applicant: **Ford Global Technologies, LLC**,
Dearborn, MI (US)
(72) Inventors: **William Mangan**, Ypsilanti, MI (US);
Ryan Olsson, Farmington Hills, MI
(US); **Robert Gelardi**, Plymouth, MI
(US)
(73) Assignee: **Ford Global Technologies, LLC**,
Dearborn, MI (US)
(**) Term: **15 Years**
(21) Appl. No.: **29/726,365**
(22) Filed: **Mar. 3, 2020**
(51) **LOC (13) Cl.** **12-16**
(52) **U.S. Cl.**
USPC **D12/192**
(58) **Field of Classification Search**
USPC D12/114, 174, 175, 176, 177, 192, 345,
D12/190, 195, 415; D15/17, 28;
D10/46, 98, 102, 103, 122-127
CPC B60H 1/34; B60H 1/3407; B60H 1/3414;
B60H 1/3421; B60H 1/3428; B60H
1/3435; B60H 1/3442; B60H 1/345;
B60H 1/3457; B60K 37/00; B60K 37/02;
B60K 37/04
See application file for complete search history.

D890,661 S * 7/2020 Alexiev D12/192
D890,662 S * 7/2020 Hong D12/192
D902,101 S * 11/2020 Jacob D12/192
D903,560 S * 12/2020 Takamura D12/192
D909,940 S * 2/2021 Roo-Clefas D12/192

OTHER PUBLICATIONS

Unknown, My observations from seeing see the actual 4-door
Bronco raw, unpainted sheet metal shell, Feb. 15, 2020 [https://
https://www.bronco6g.com/forum/threads/my-observations-from-
seeing-see-the-actual-4-door-bronco-raw-unpainted-sheet-metal-
shell.1048/](https://www.bronco6g.com/forum/threads/my-observations-from-seeing-see-the-actual-4-door-bronco-raw-unpainted-sheet-metal-shell.1048/).
Unknown, Here's the 2021 Bronco's Tail Light Shape Illuminated,
Feb. 19, 2020 [https://www.bronco6g.com/forum/threads/heres-the-
2021-broncos-tail-light-shape-illuminated.1071/](https://www.bronco6g.com/forum/threads/heres-the-2021-broncos-tail-light-shape-illuminated.1071/).
Unknown, 2021 Bronco Interior Spied Undisguised!!, Feb. 25, 2020
[https://www.bronco6g.com/forum/threads/2021-bronco-interior-spied-
undisguised.1096/](https://www.bronco6g.com/forum/threads/2021-bronco-interior-spied-undisguised.1096/).

* cited by examiner

Primary Examiner — Susan E Krakower
Assistant Examiner — Jerry Shiuan-Hua Hsu

(57) **CLAIM**

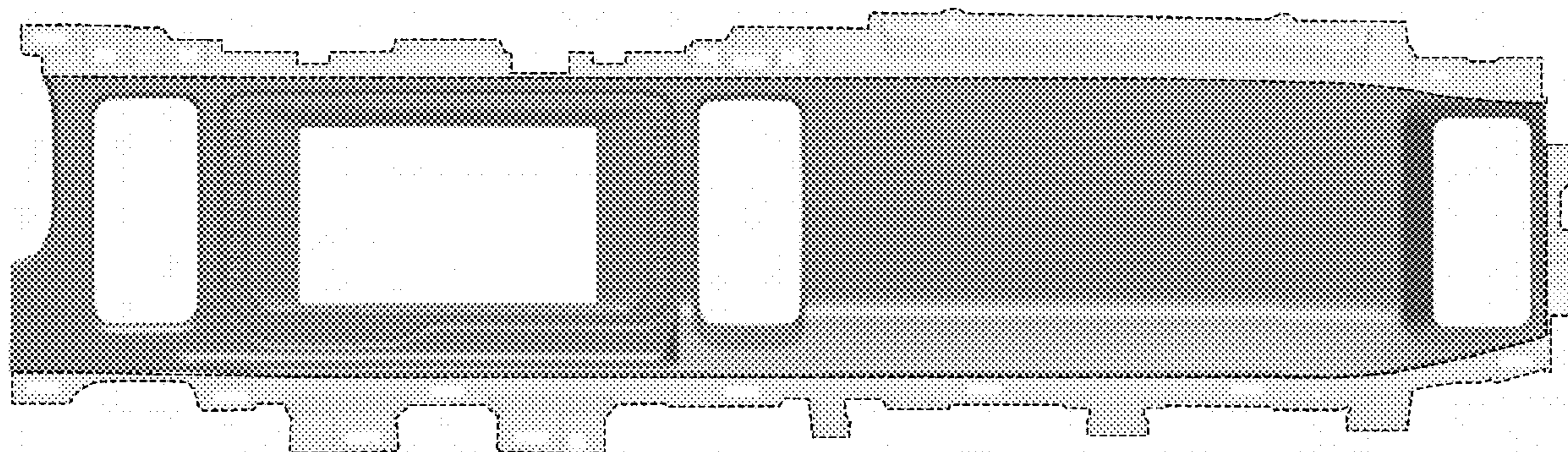
The ornamental design for a vehicle interior molding, as
shown and described.

DESCRIPTION

FIG. 1 is a front elevational view of a vehicle interior
molding, showing our new design;
FIG. 2 is a left side elevational view thereof;
FIG. 3 is a right side elevational view thereof;
FIG. 4 is a top plan view thereof;
FIG. 5 is a bottom plan view thereof;
FIG. 6 is a top, front and right side perspective view thereof;
and,
FIG. 7 is a top, front and left side perspective view thereof.
The broken lines and the lightened surface shading illustrate
portions of the vehicle mirror that form no part of the
claimed design.

1 Claim, 7 Drawing Sheets

(56) **References Cited**
U.S. PATENT DOCUMENTS
D780,080 S * 2/2017 Ding D12/192
D808,874 S * 1/2018 Gao D12/192
D852,100 S * 6/2019 Ko D12/192
D863,167 S * 10/2019 Moir D12/192
D864,066 S * 10/2019 Ray D12/192
D881,095 S * 4/2020 Finney D12/192
D884,569 S * 5/2020 Roo-Clefas D12/192
D887,954 S * 6/2020 Xu D12/415
D889,381 S * 7/2020 Xu D12/415



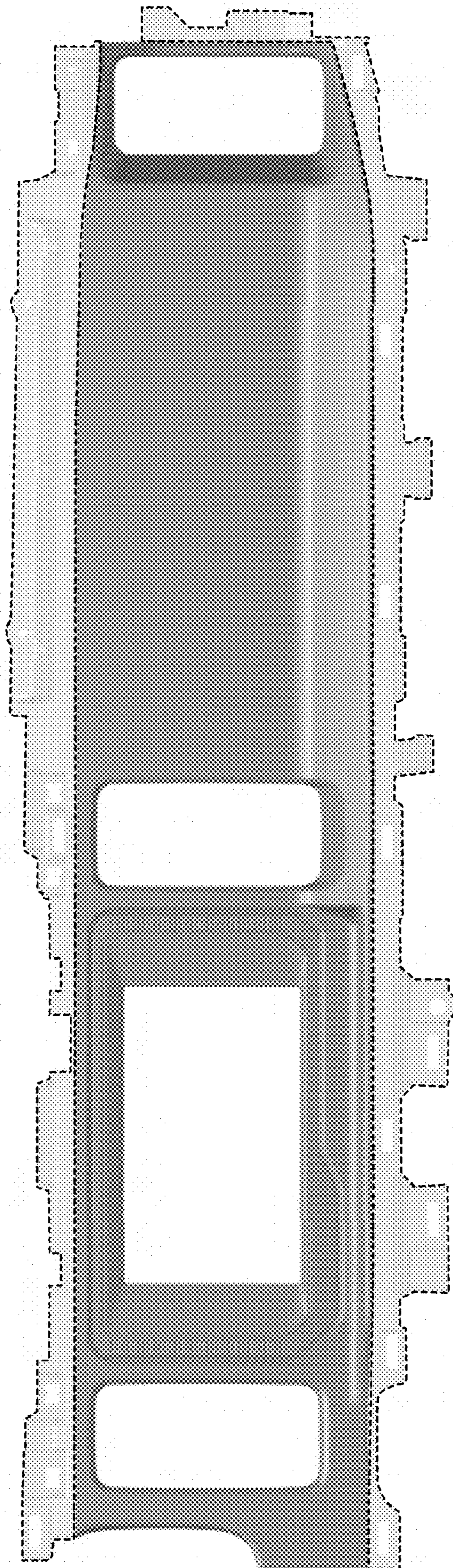


Fig. 1

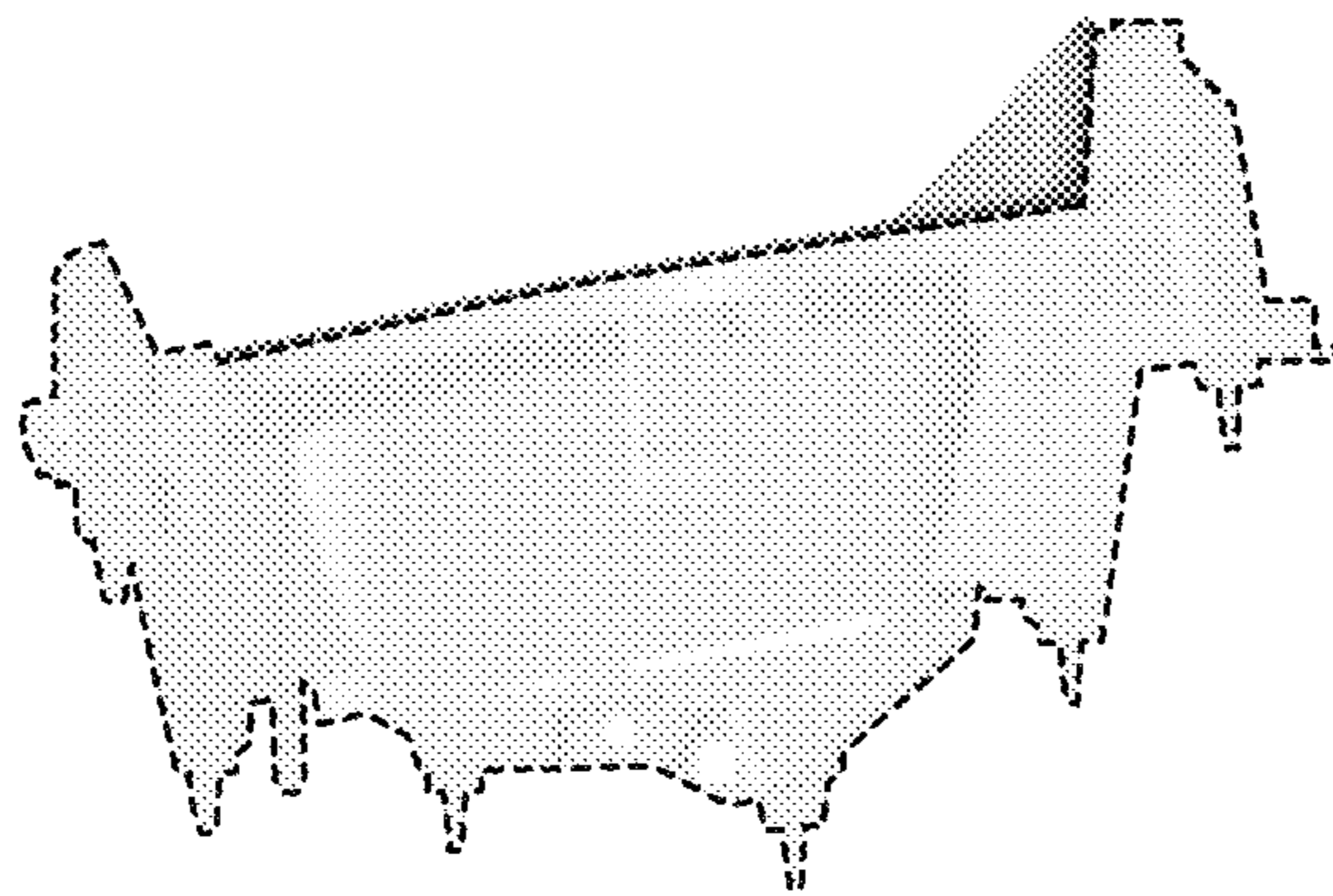


FIG. 2

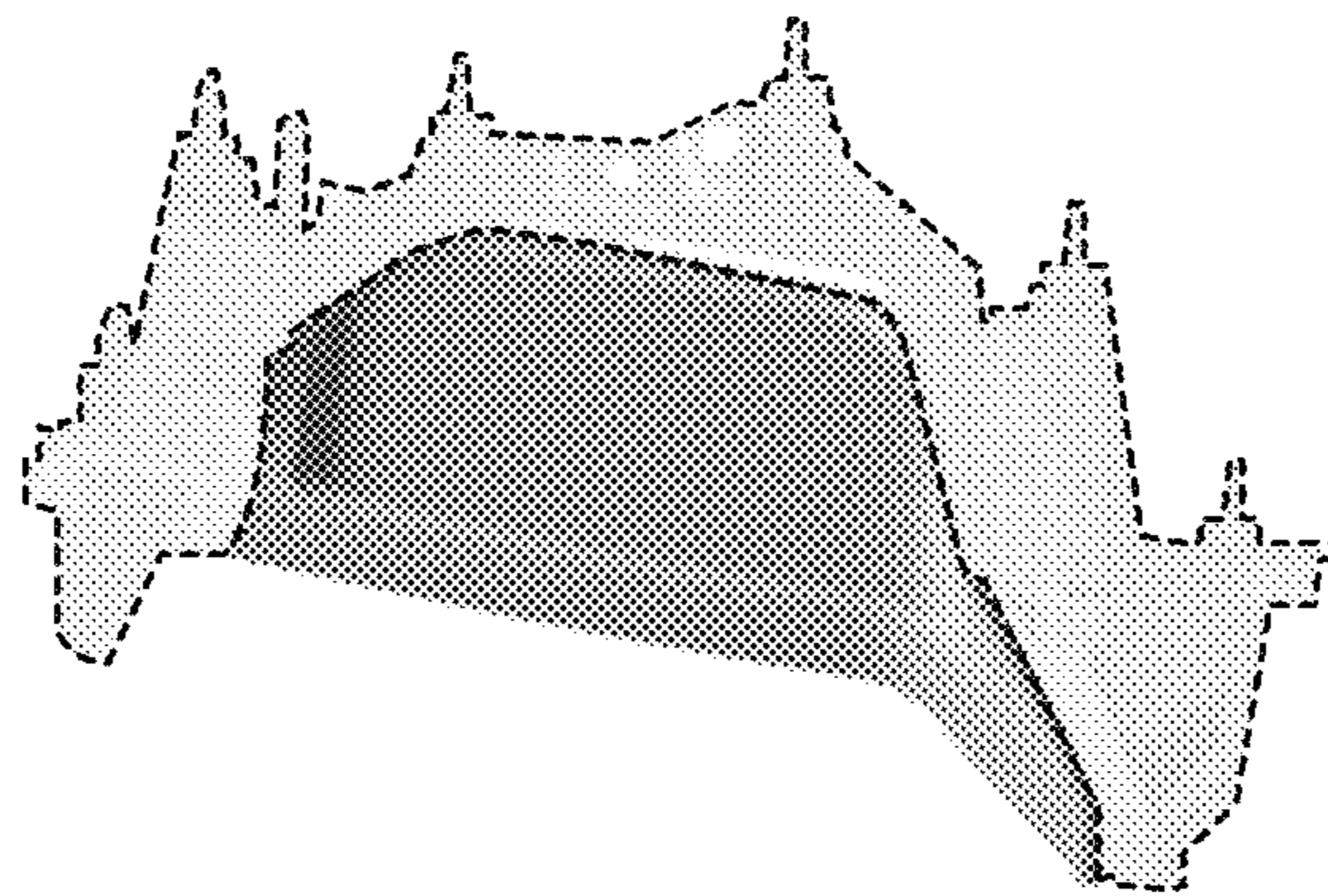


Fig. 3

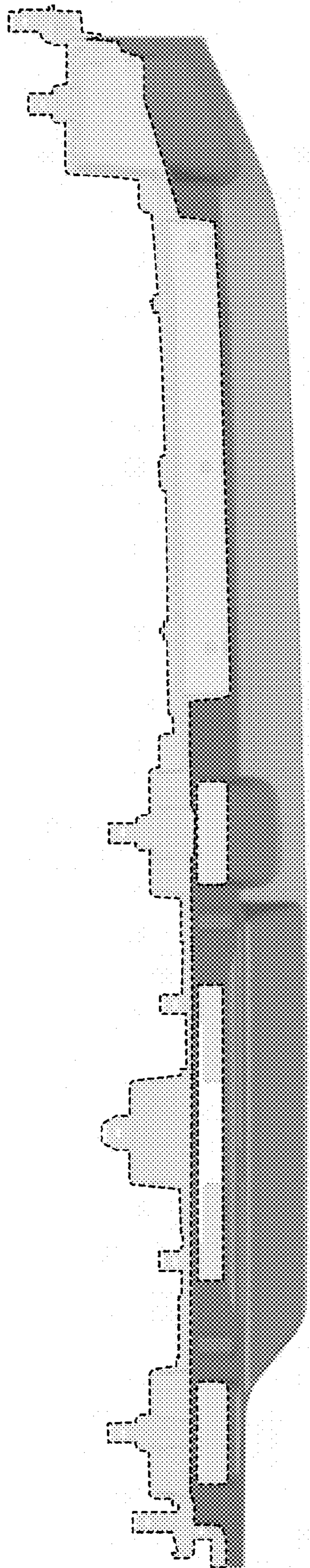


Fig. 4

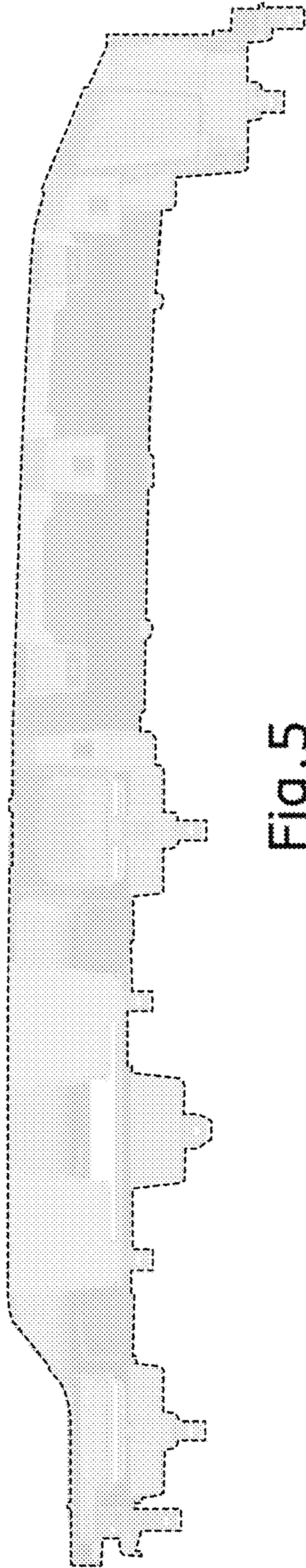


Fig. 5

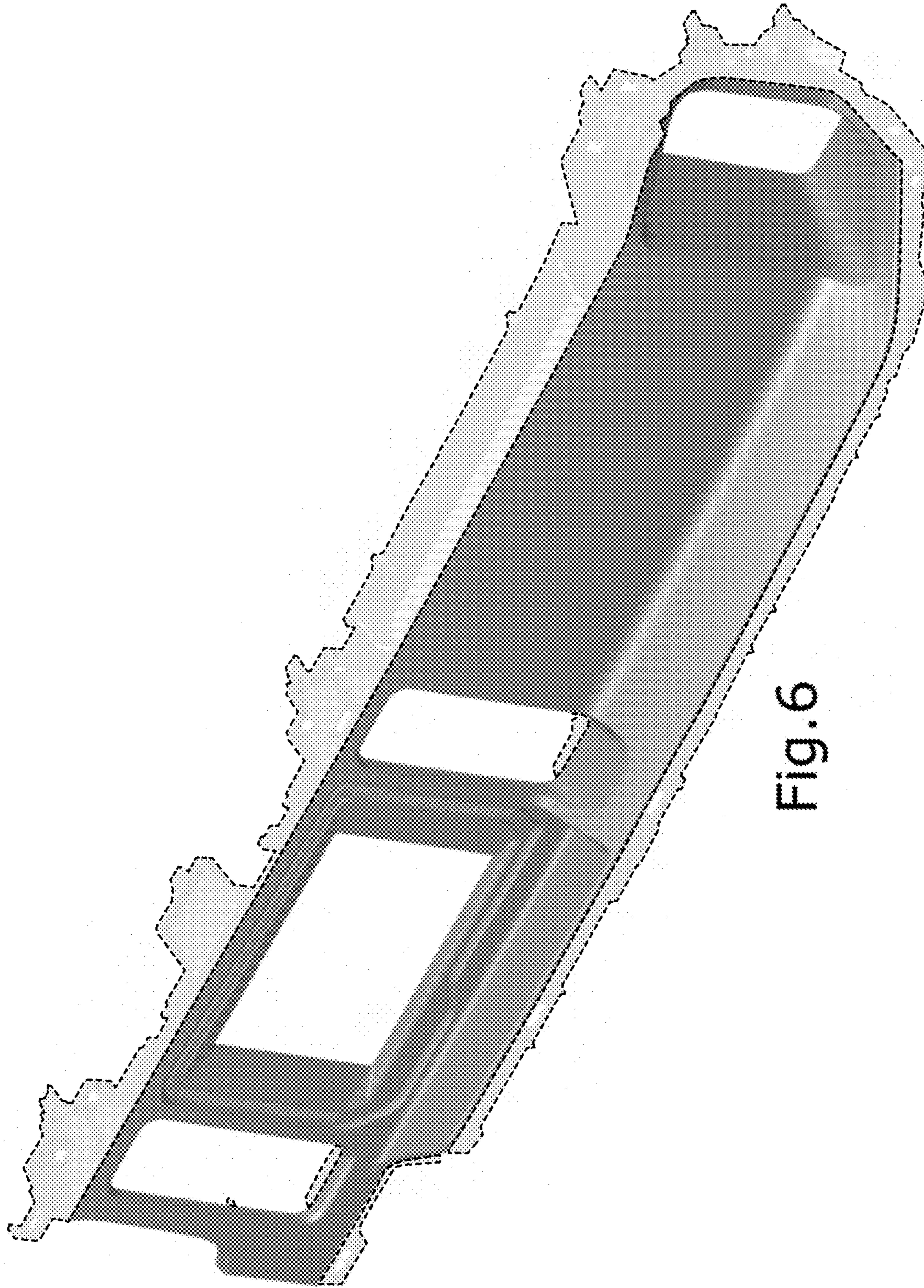


Fig. 6

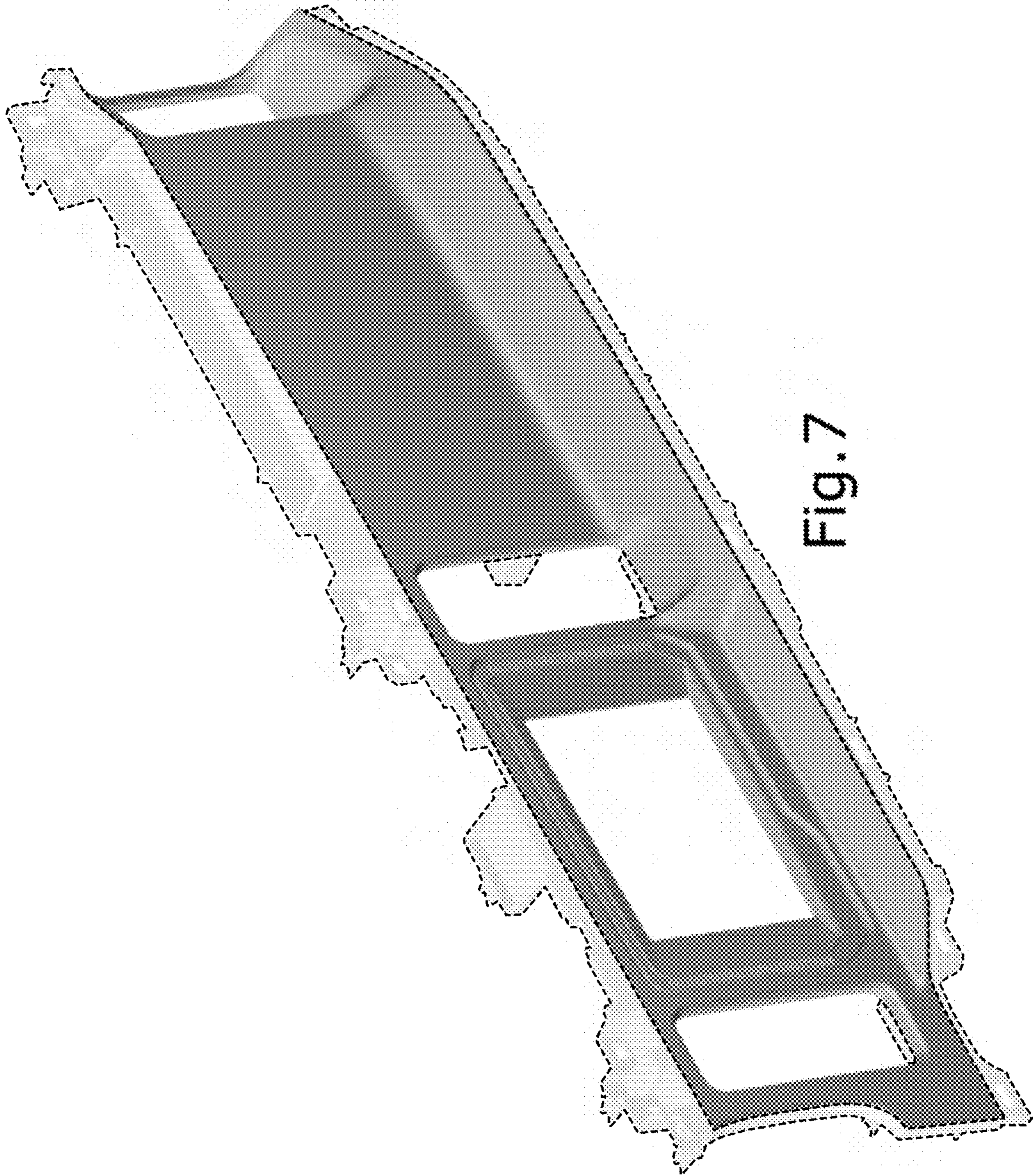


FIG. 7