



US00D936545S

(12) **United States Design Patent**  
**Guo**

(10) **Patent No.:** **US D936,545 S**

(45) **Date of Patent:** **\*\* Nov. 23, 2021**

(54) **CAR SUN VISOR**

(71) Applicant: **Jin Wei Guo**, Shenzhen (CN)

(72) Inventor: **Jin Wei Guo**, Shenzhen (CN)

(\*\*) Term: **15 Years**

(21) Appl. No.: **29/758,706**

(22) Filed: **Nov. 18, 2020**

(51) **LOC (13) Cl.** ..... **12-16**

(52) **U.S. Cl.**  
USPC ..... **D12/191**

(58) **Field of Classification Search**  
USPC ..... D12/191, 181, 183-185, 106, 417,  
D12/311-312  
CPC ..... B60J 3/02; B60J 3/0208  
See application file for complete search history.

(56) **References Cited**

**U.S. PATENT DOCUMENTS**

D740,190 S	10/2015	Spencer	
D741,764 S *	10/2015	Levi	D12/191
D762,539 S *	8/2016	Marcus	D12/191
D764,989 S *	8/2016	Marcus	D12/191

D797,629 S *	9/2017	Abruzzio	D12/191
D808,318 S *	1/2018	Amante-Muniz	D12/191
D817,240 S *	5/2018	Cuche	D12/191
D817,831 S *	5/2018	Bilodeau	D12/191
D826,812 S *	8/2018	Von Holzhausen	D12/191
D833,350 S *	11/2018	Windel	D12/191
D858,388 S *	9/2019	Song	D12/191
D892,010 S *	8/2020	Tan	D12/191
D918,807 S *	5/2021	Rose	D12/191
D922,921 S *	6/2021	Higham	D12/191

\* cited by examiner

*Primary Examiner* — Katrina A Betton

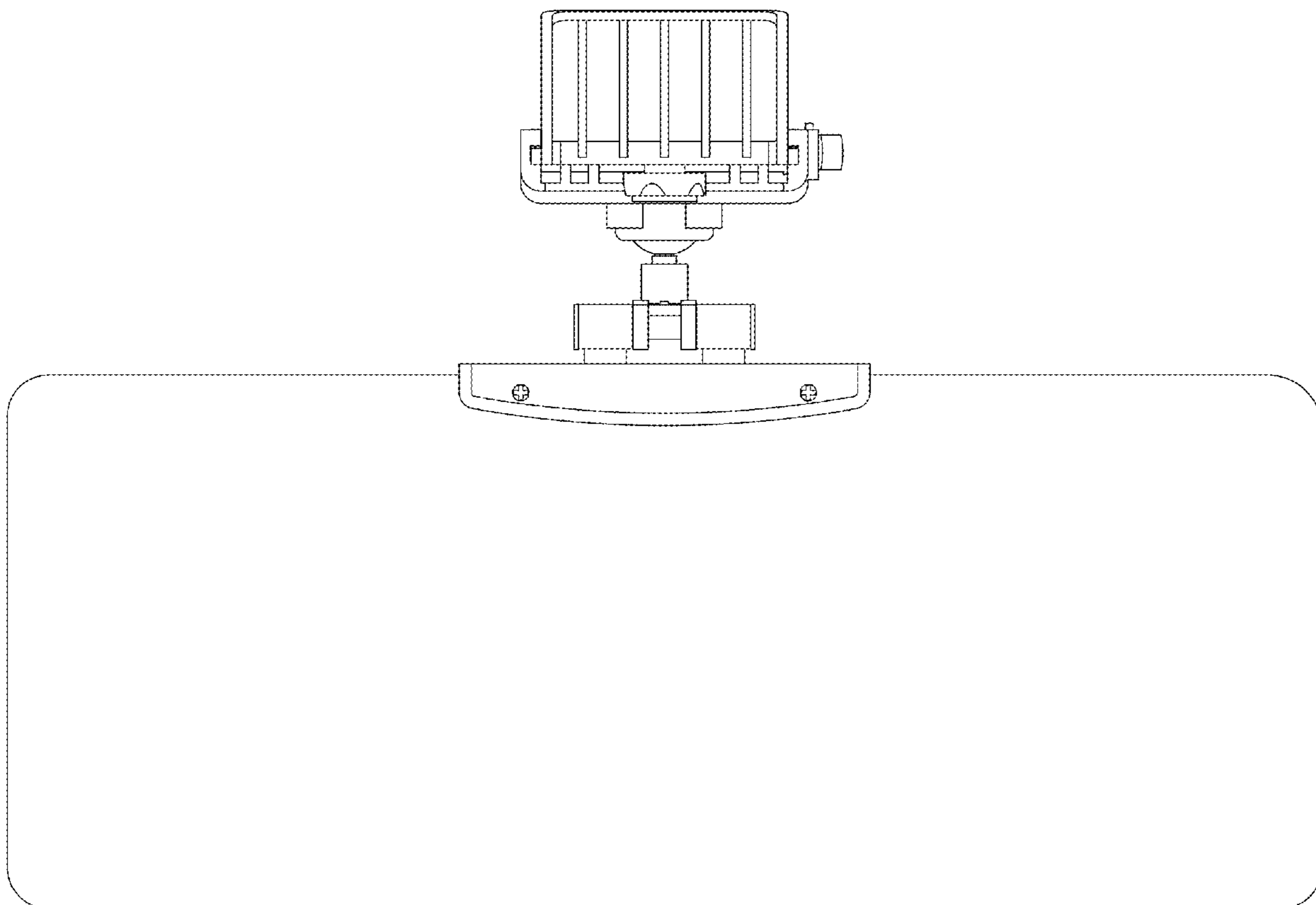
(57) **CLAIM**

The ornamental design for a car sun visor, as shown and described.

**DESCRIPTION**

FIG. 1 is a perspective view of a car sun visor showing my new design;  
FIG. 2 is another perspective view thereof;  
FIG. 3 is a front elevational view thereof  
FIG. 4 is a rear elevational view thereof;  
FIG. 5 is a left side elevational view thereof;  
FIG. 6 is a right side elevational view thereof;  
FIG. 7 is a top plan view thereof; and,  
FIG. 8 is a bottom plan view thereof.

**1 Claim, 8 Drawing Sheets**



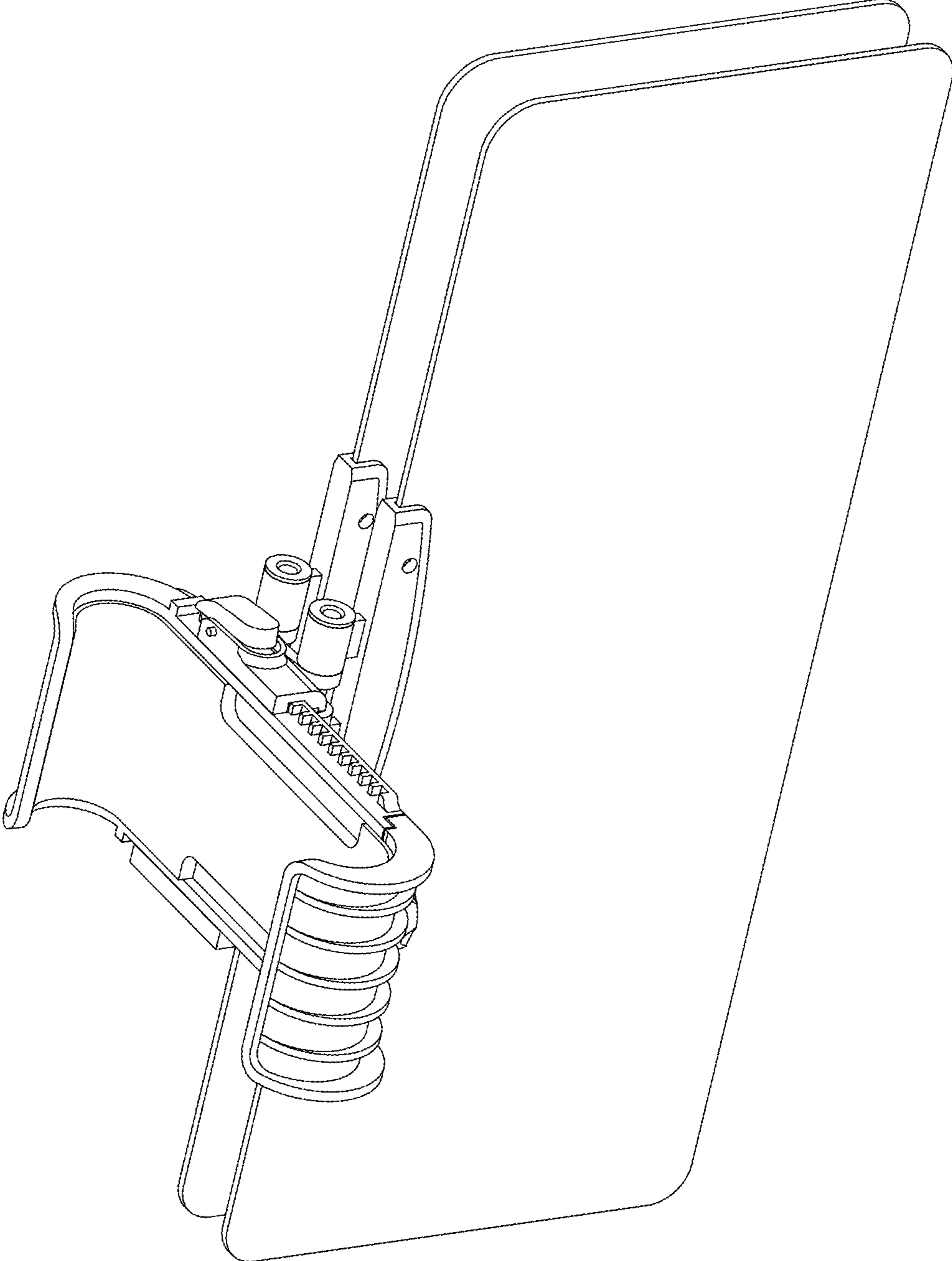


FIG. 1

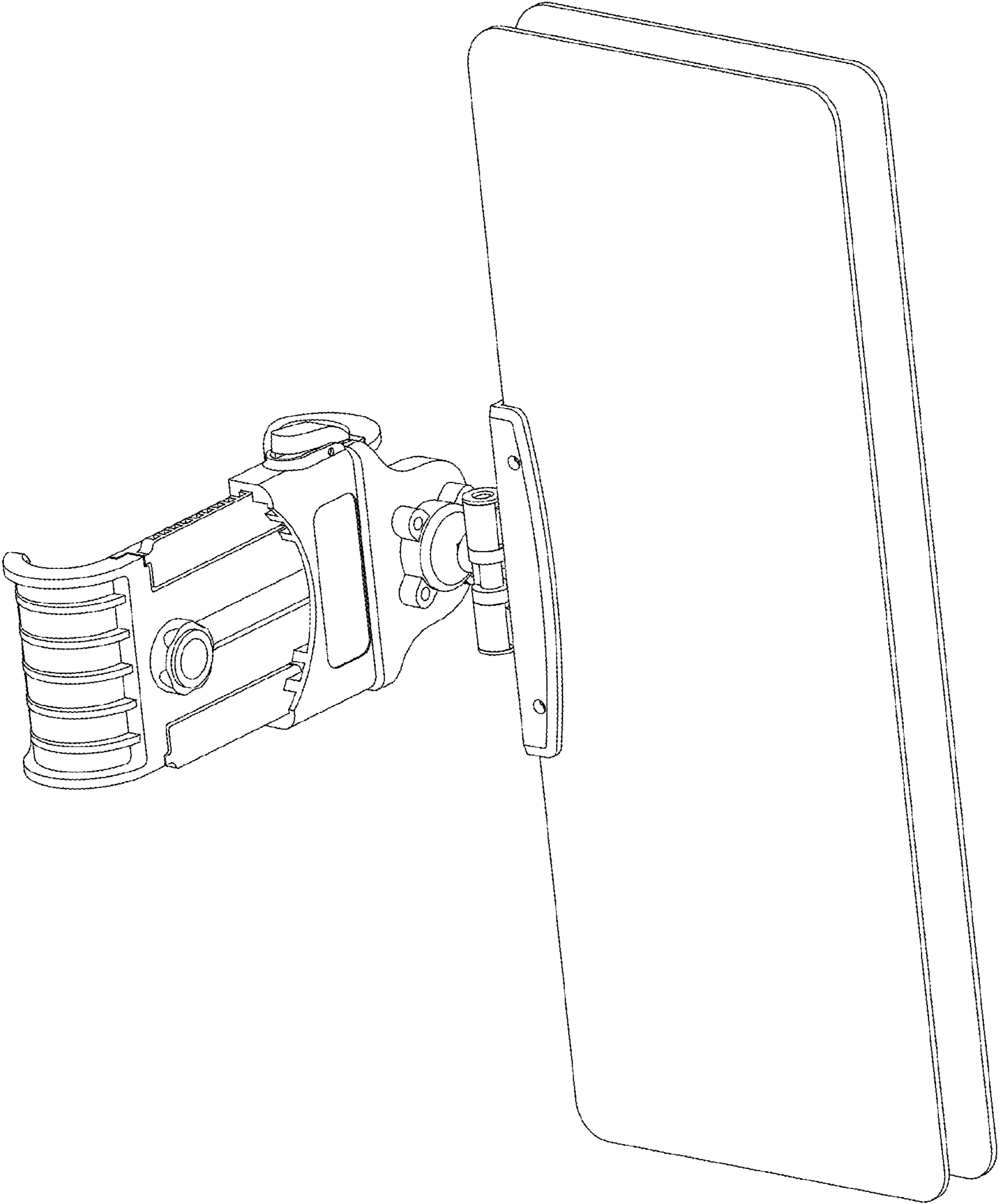


FIG. 2

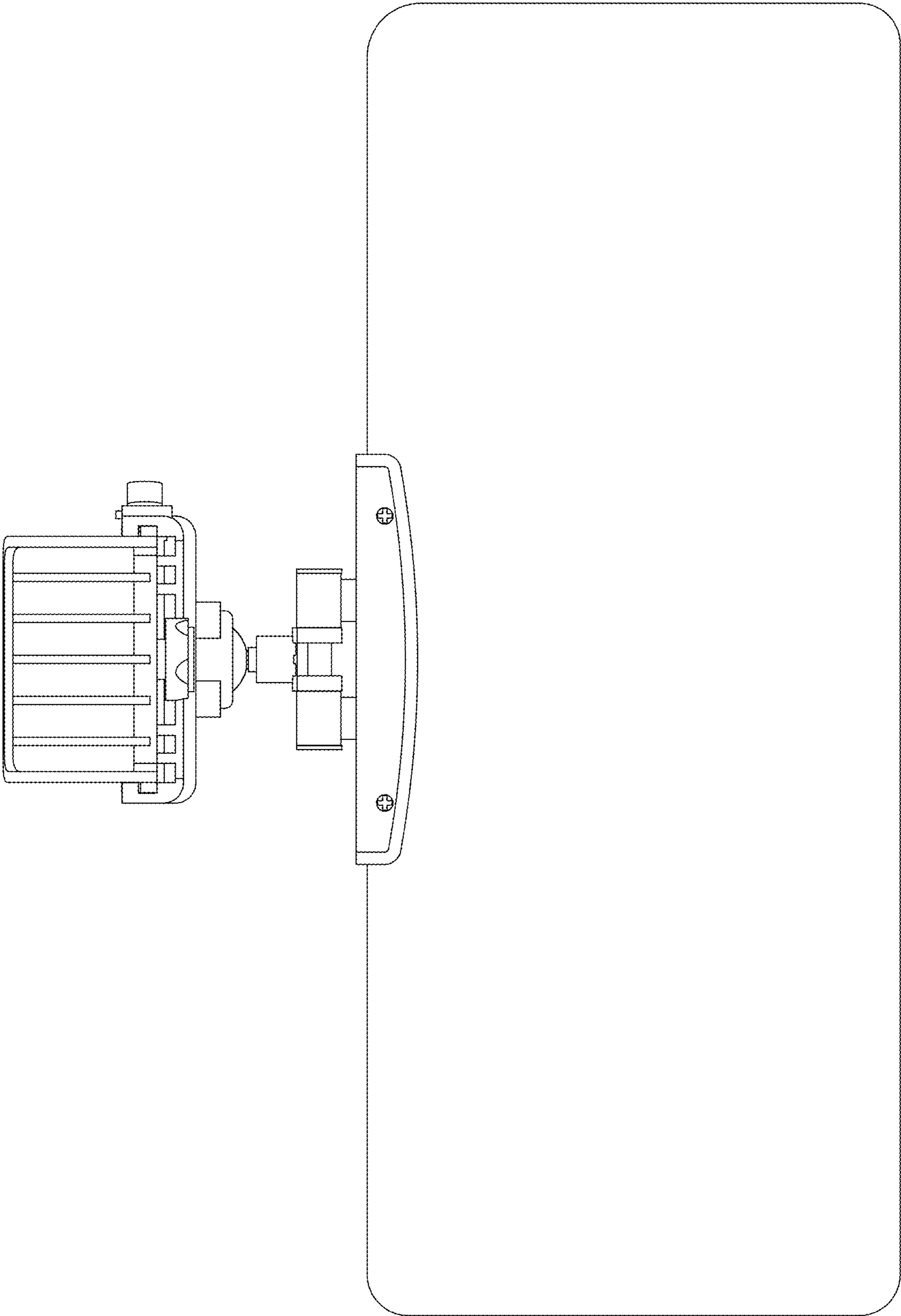


FIG. 3

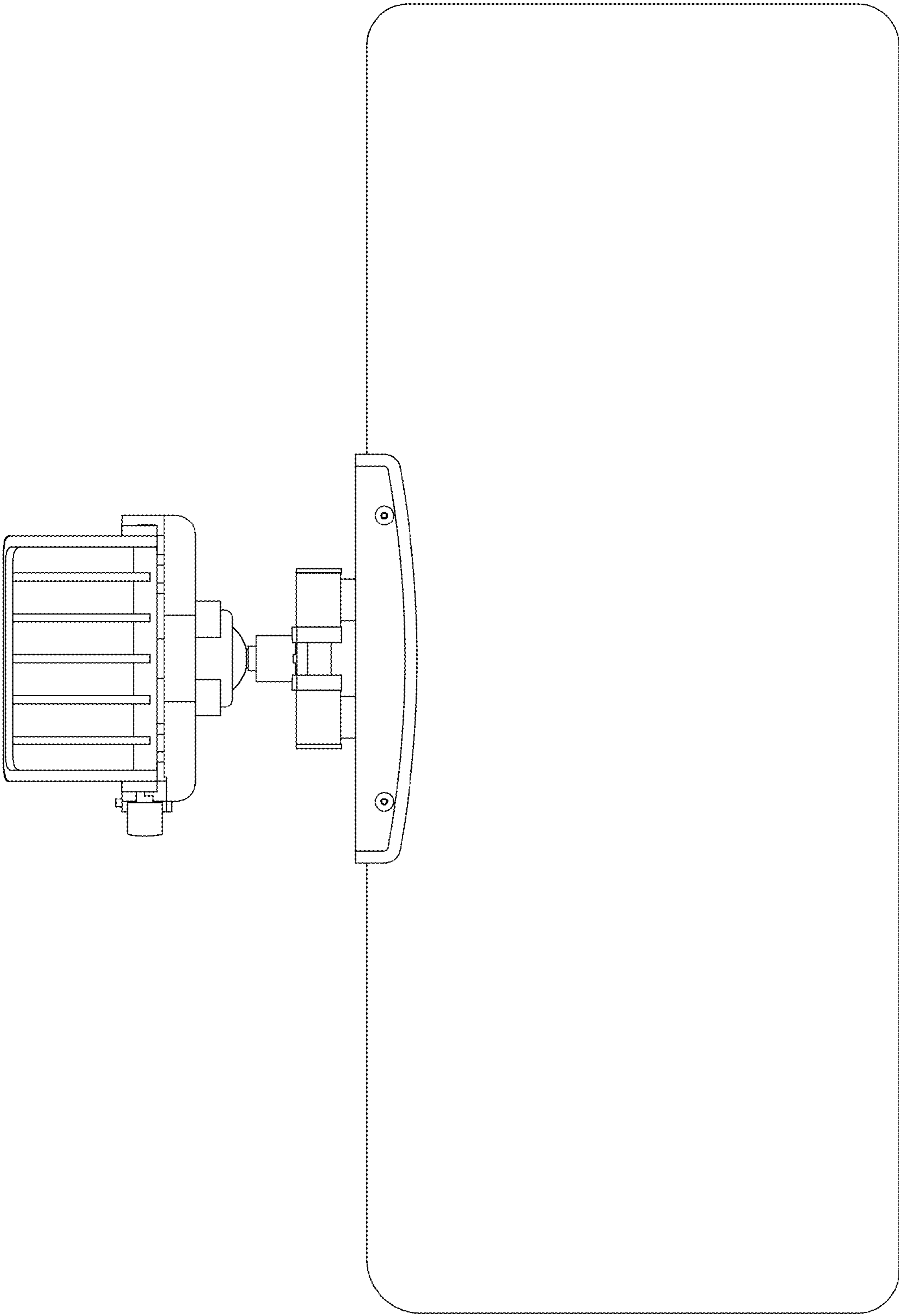


FIG. 4

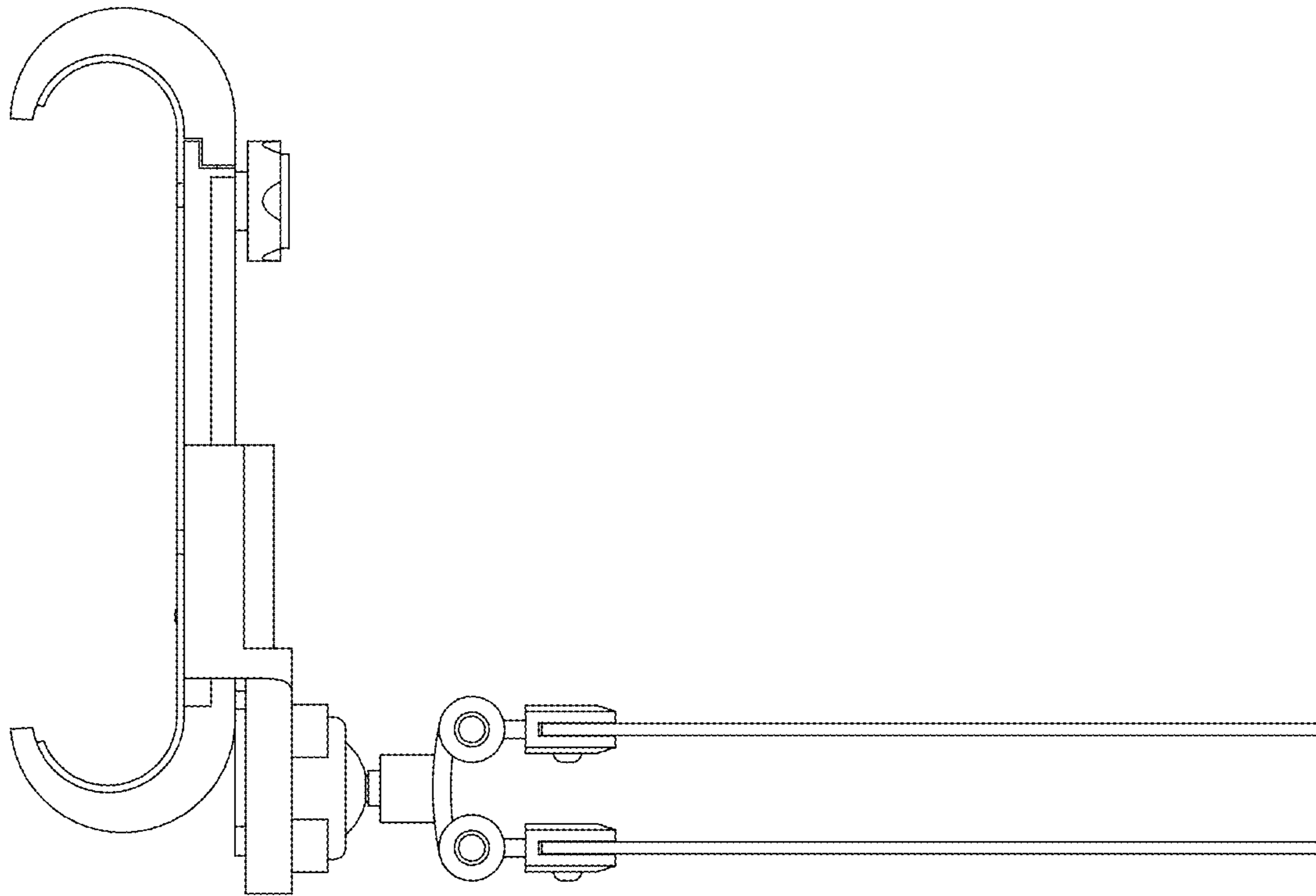


FIG. 5

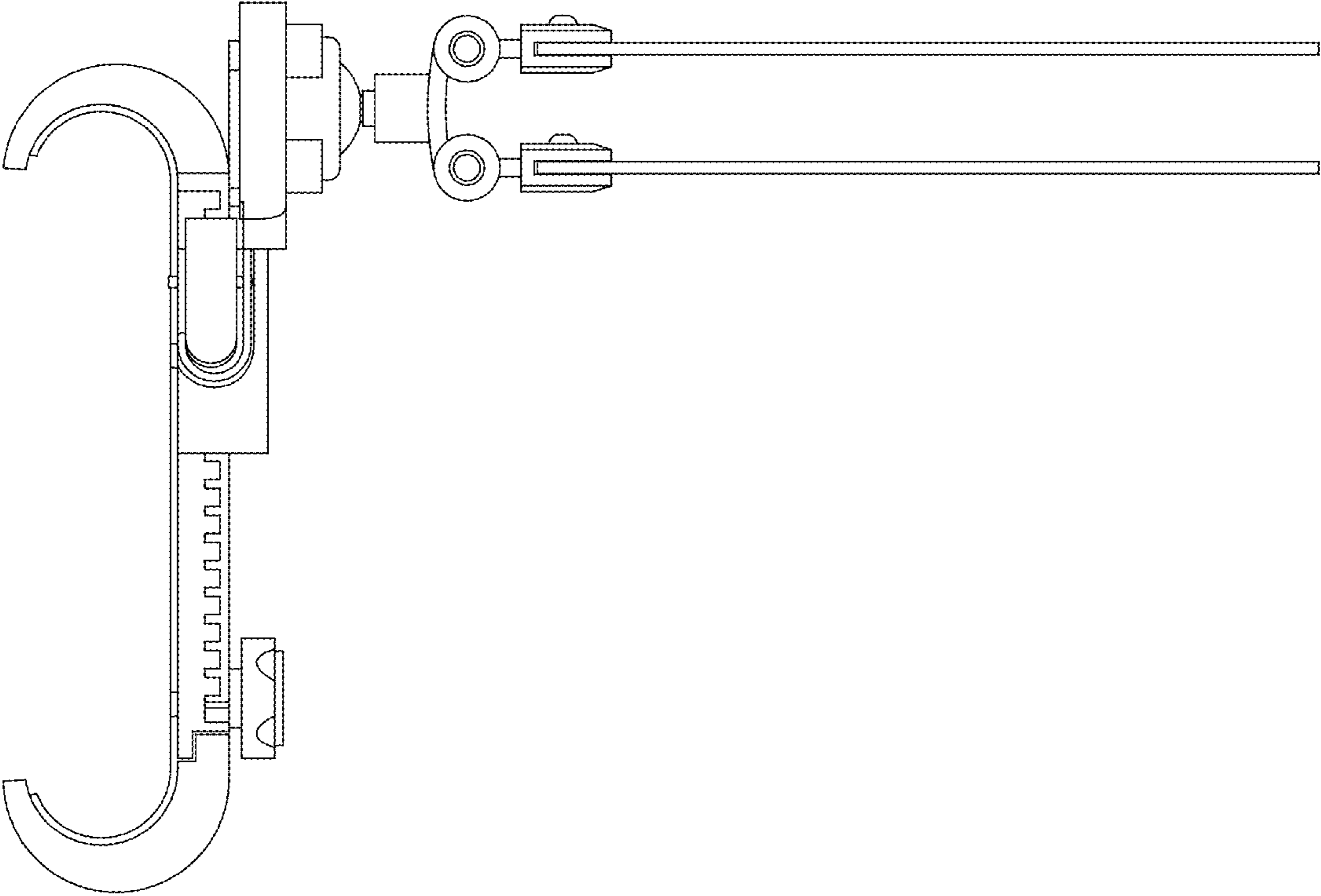


FIG. 6

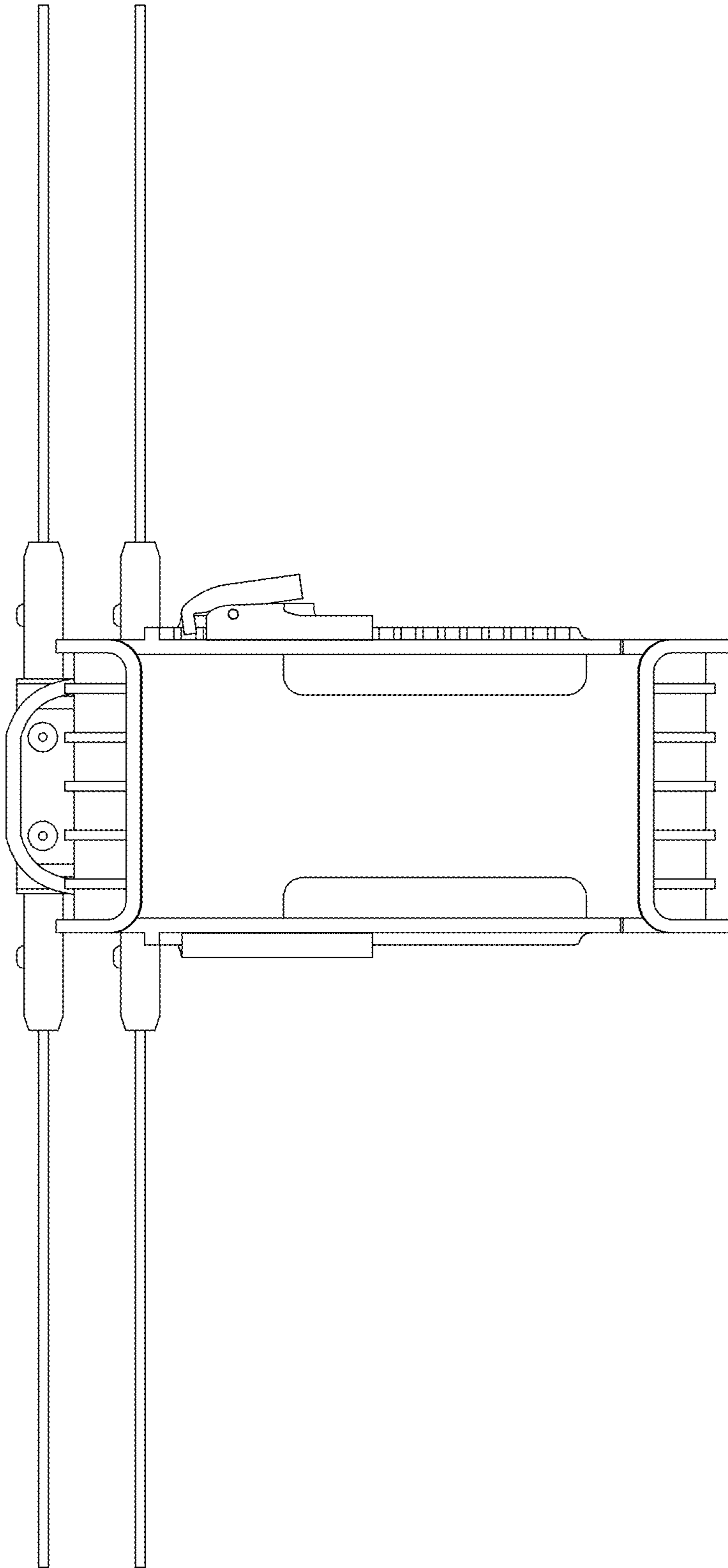


FIG. 7



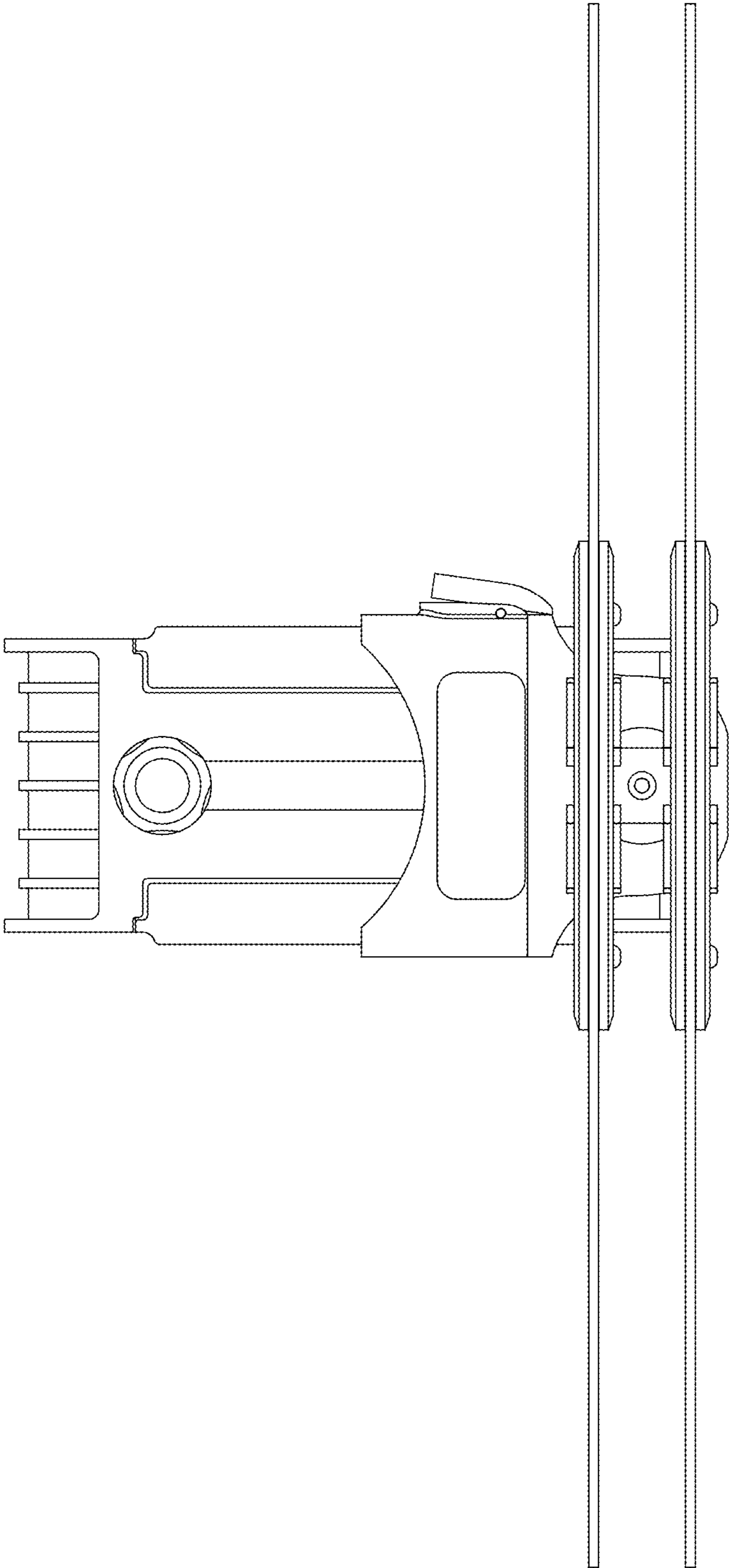


FIG. 8