



US00D936541S

(12) **United States Design Patent** (10) **Patent No.:** **US D936,541 S**  
**Wraith et al.** (45) **Date of Patent:** **\*\* Nov. 23, 2021**

(54) **VEHICLE MIRROR**  
(71) Applicant: **Ford Global Technologies, LLC**,  
Dearborn, MI (US)  
(72) Inventors: **Paul Wraith**, West Bloomfield, MI  
(US); **Martin B. Coons**, Detroit, MI  
(US); **Anthony Meyer**, Royal Oak, MI  
(US); **Young Kwon**, Cologne (DE);  
**Joseph F. Denatale, Jr.**, Royal Oak, MI  
(US)  
(73) Assignee: **Ford Global Technologies, LLC**,  
Dearborn, MI (US)  
(\*\*) Term: **15 Years**  
(21) Appl. No.: **29/726,386**  
(22) Filed: **Mar. 3, 2020**  
(51) **LOC (13) Cl.** ..... **12-16**  
(52) **U.S. Cl.**  
USPC ..... **D12/187**  
(58) **Field of Classification Search**  
USPC ..... D12/187, 188, 189, 191, 92; D6/300,  
D6/309  
CPC ..... B60R 1/006; B60R 1/008; B60R 1/02;  
B60R 1/06; B60R 1/0605; B60R 1/074;  
B60R 1/076; B60R 1/078; B60R 1/08;  
B60R 1/081; B60R 1/082; B60R 1/10  
See application file for complete search history.

(56) **References Cited**  
U.S. PATENT DOCUMENTS  
D509,465 S \* 9/2005 Metros ..... D12/187  
D619,065 S \* 7/2010 Bennett ..... D12/187  
D793,310 S \* 8/2017 Hwang ..... D12/187  
D807,263 S \* 1/2018 Piscitelli ..... D12/187  
D855,524 S \* 8/2019 Lee ..... D12/187  
D865,598 S \* 11/2019 Grand ..... D12/187  
D865,600 S \* 11/2019 Goodrich ..... D12/187

D878,263 S \* 3/2020 Melikian ..... D12/187  
D880,385 S \* 4/2020 Gillam ..... D12/187  
D886,015 S \* 6/2020 Kim ..... D12/187  
D902,812 S \* 11/2020 Sterner ..... D12/187  
D906,203 S \* 12/2020 Chen ..... D12/187  
D908,565 S \* 1/2021 Choi ..... D12/187  
D913,880 S \* 3/2021 Hilliard ..... D12/187  
D913,881 S \* 3/2021 Hilliard ..... D12/187

**OTHER PUBLICATIONS**

Unknown, My observations from seeing see the actual 4-door  
Bronco raw, unpainted sheet metal shell, Feb. 15, 2020 [https://  
https://www.bronco6g.com/forum/threads/my-observations-from-  
seeing-see-the-actual-4-door-bronco-raw-unpainted-sheet-metal-  
shell.1048/](https://www.bronco6g.com/forum/threads/my-observations-from-seeing-see-the-actual-4-door-bronco-raw-unpainted-sheet-metal-shell.1048/).

(Continued)

*Primary Examiner* — Susan E Krakower  
*Assistant Examiner* — Jerry Shiuhan-Hua Hsu

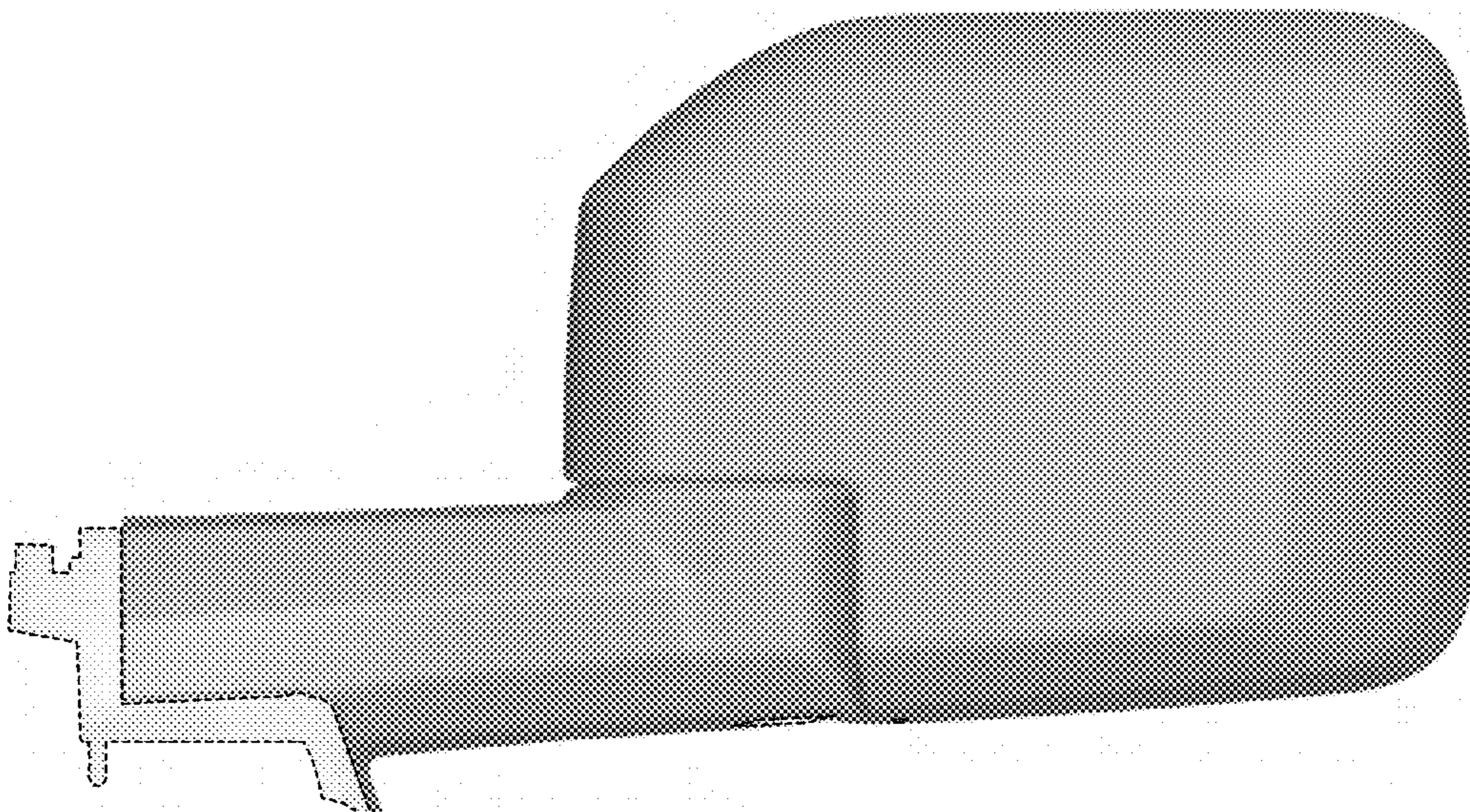
(57) **CLAIM**

The ornamental design for a vehicle mirror, as shown and  
described.

**DESCRIPTION**

FIG. 1 is a front elevational view of a vehicle mirror,  
showing our new design;  
FIG. 2 is a rear elevational view thereof;  
FIG. 3 is a left side elevational view thereof;  
FIG. 4 is a right side elevational view thereof;  
FIG. 5 is a top plan view thereof;  
FIG. 6 is a bottom plan view thereof;  
FIG. 7 is a top, front and left side perspective view thereof;  
and,  
FIG. 8 is a bottom, front and left side perspective view  
thereof.  
The broken lines and the lightened surface shading illustrate  
portions of the vehicle mirror that form no part of the  
claimed design.

**1 Claim, 8 Drawing Sheets**



(56)

**References Cited**

OTHER PUBLICATIONS

Unknown, Here's the 2021 Bronco's Tail Light Shape Illuminated, Feb. 19, 2020 <https://www.bronco6g.com/forum/threads/heres-the-2021-broncos-tail-light-shape-illuminated.1071/>.

Unknown, 2021 Bronco Interior Spied Undisguised!!, Feb. 25, 2020 <https://www.bronco6g.com/forum/threads/2021-bronco-interior-spied-undisguised.1096/>.

\* cited by examiner





Fig. 1





Fig. 2



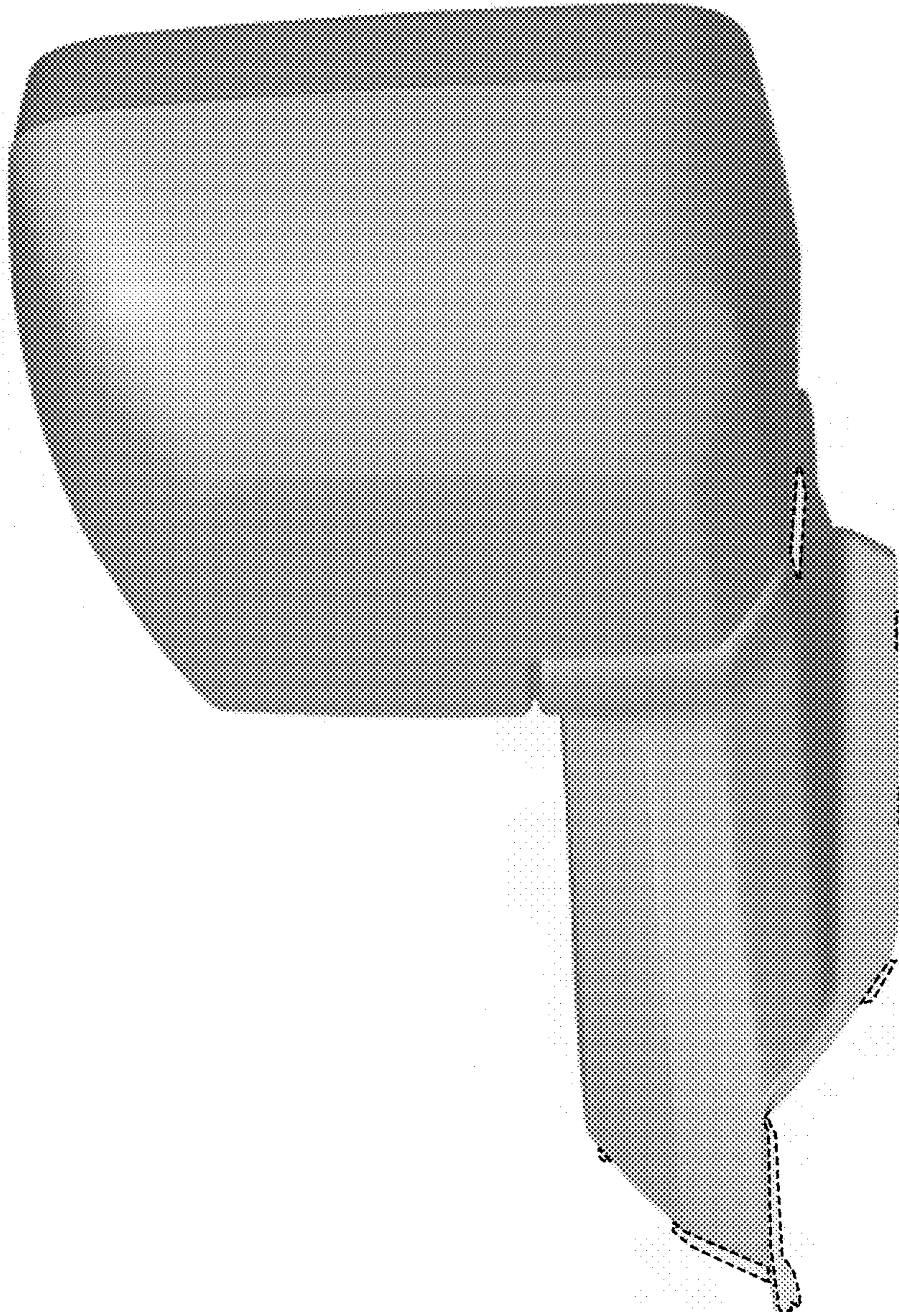


Fig. 3



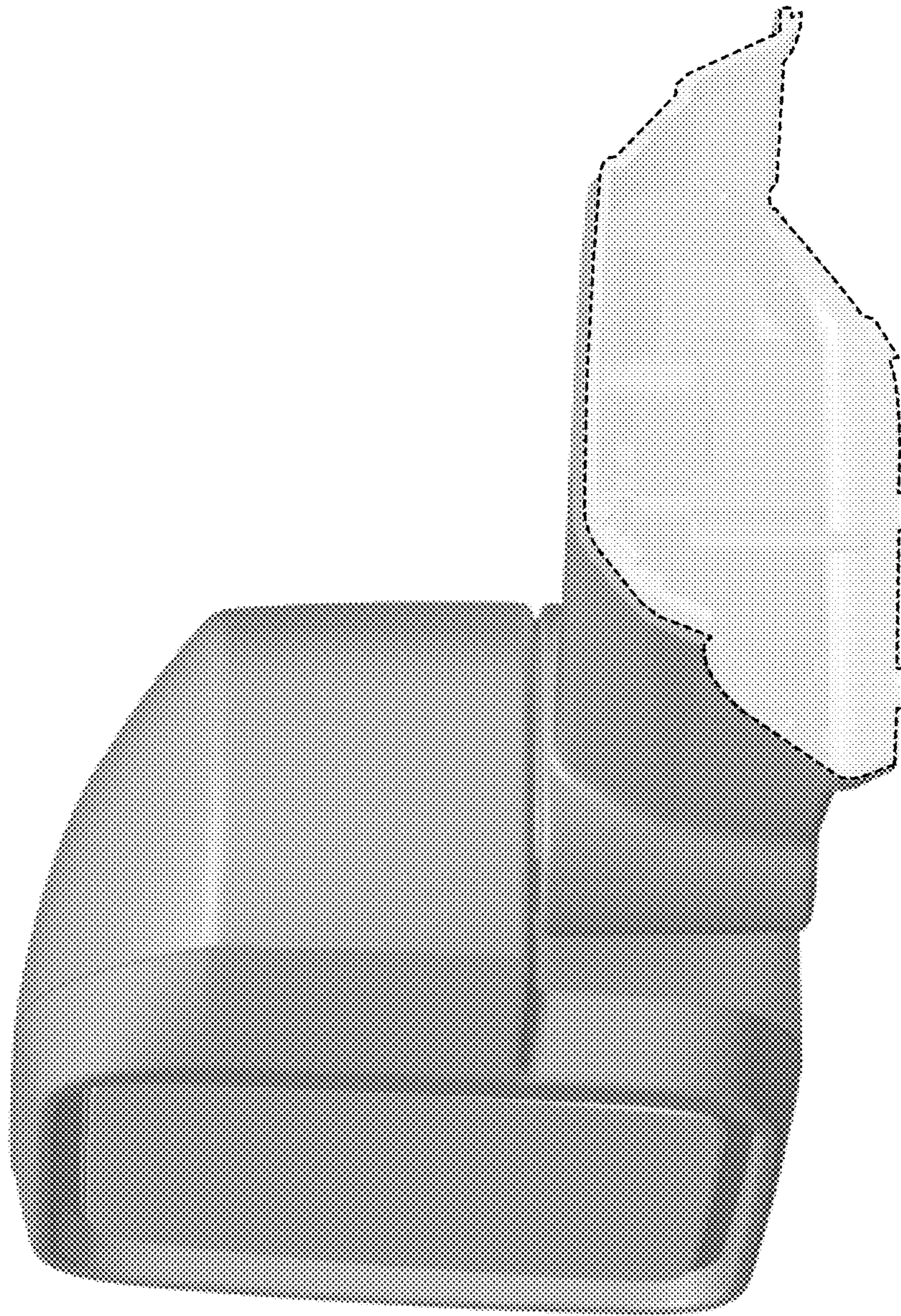


FIG.4



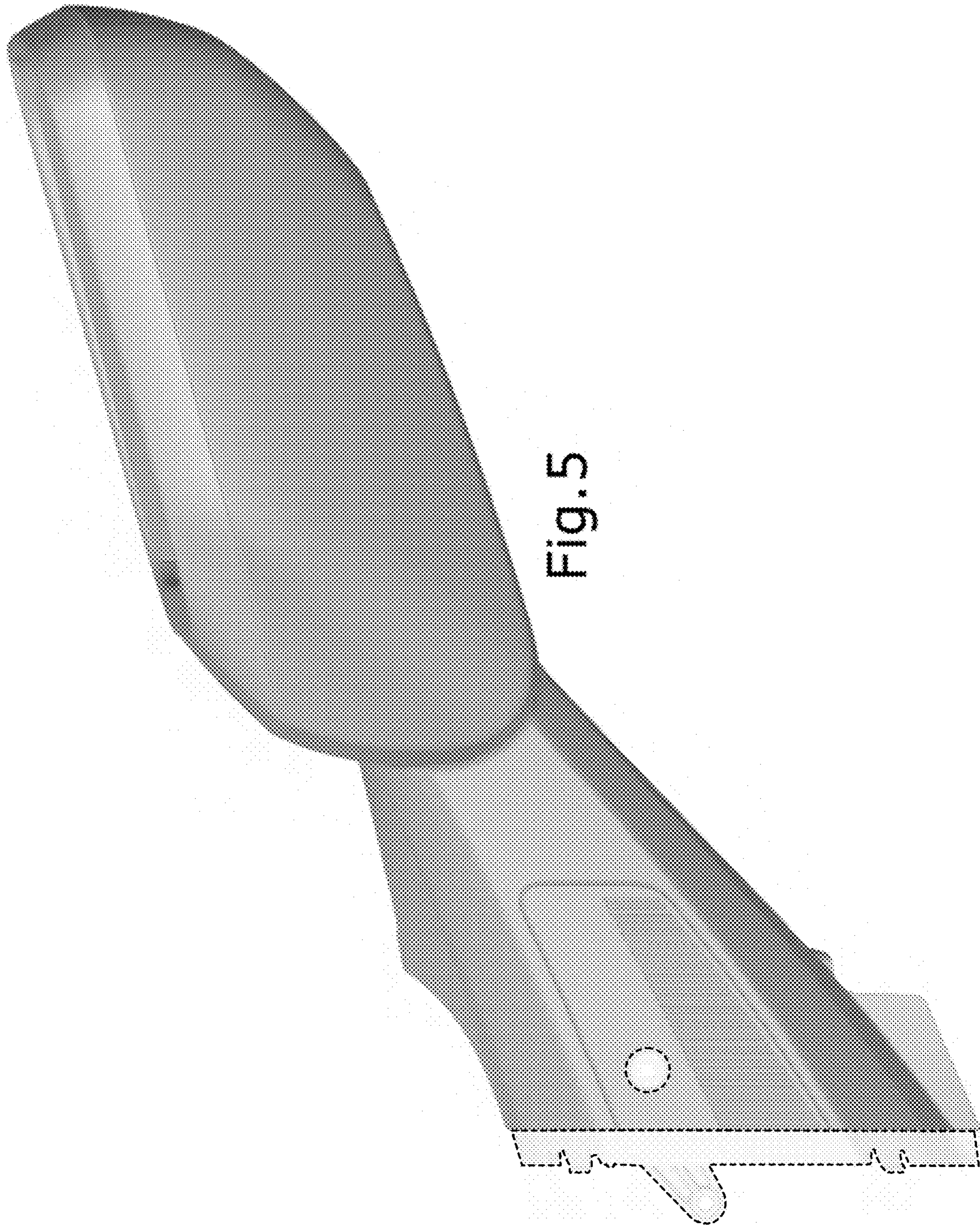


Fig. 5



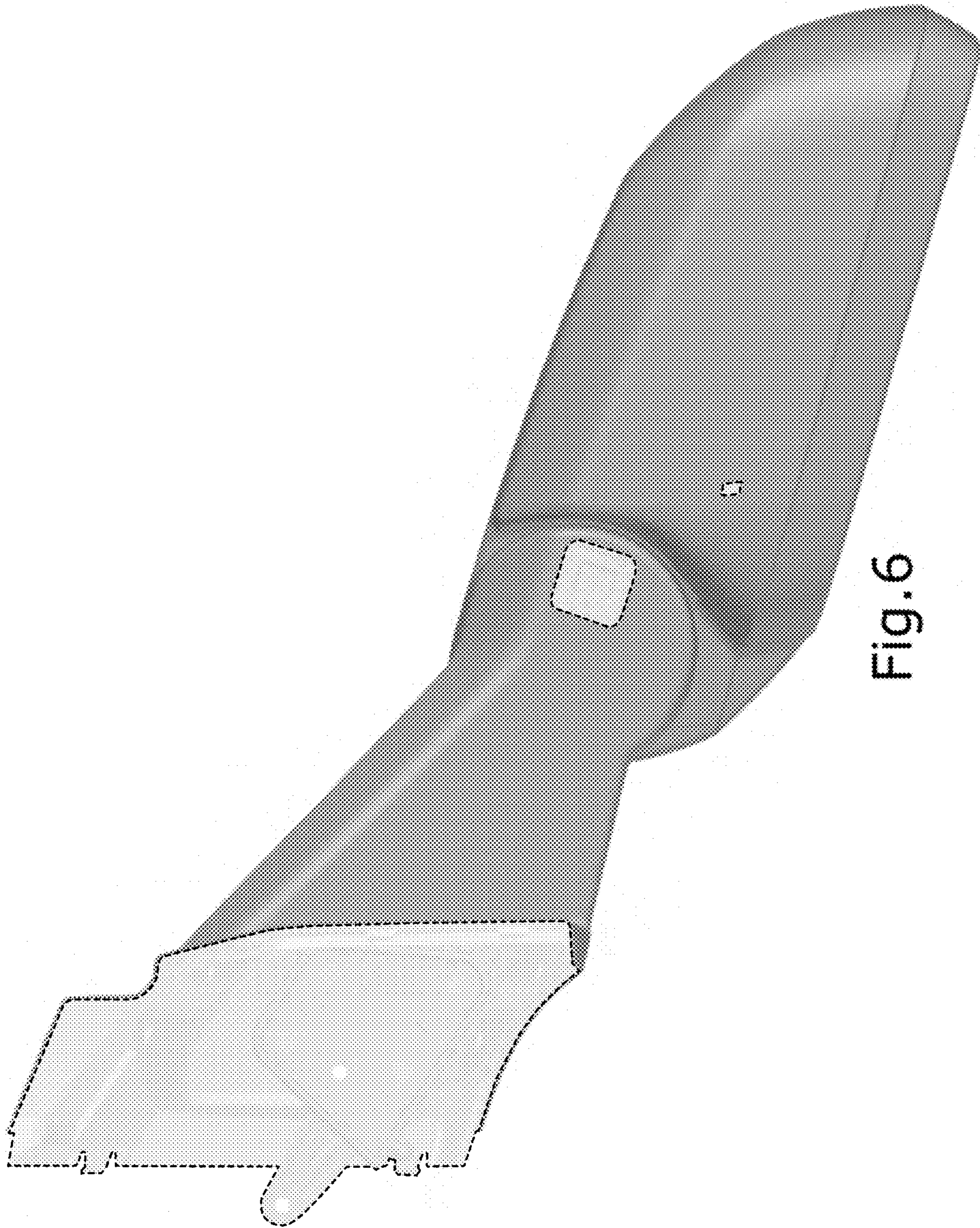


Fig. 6



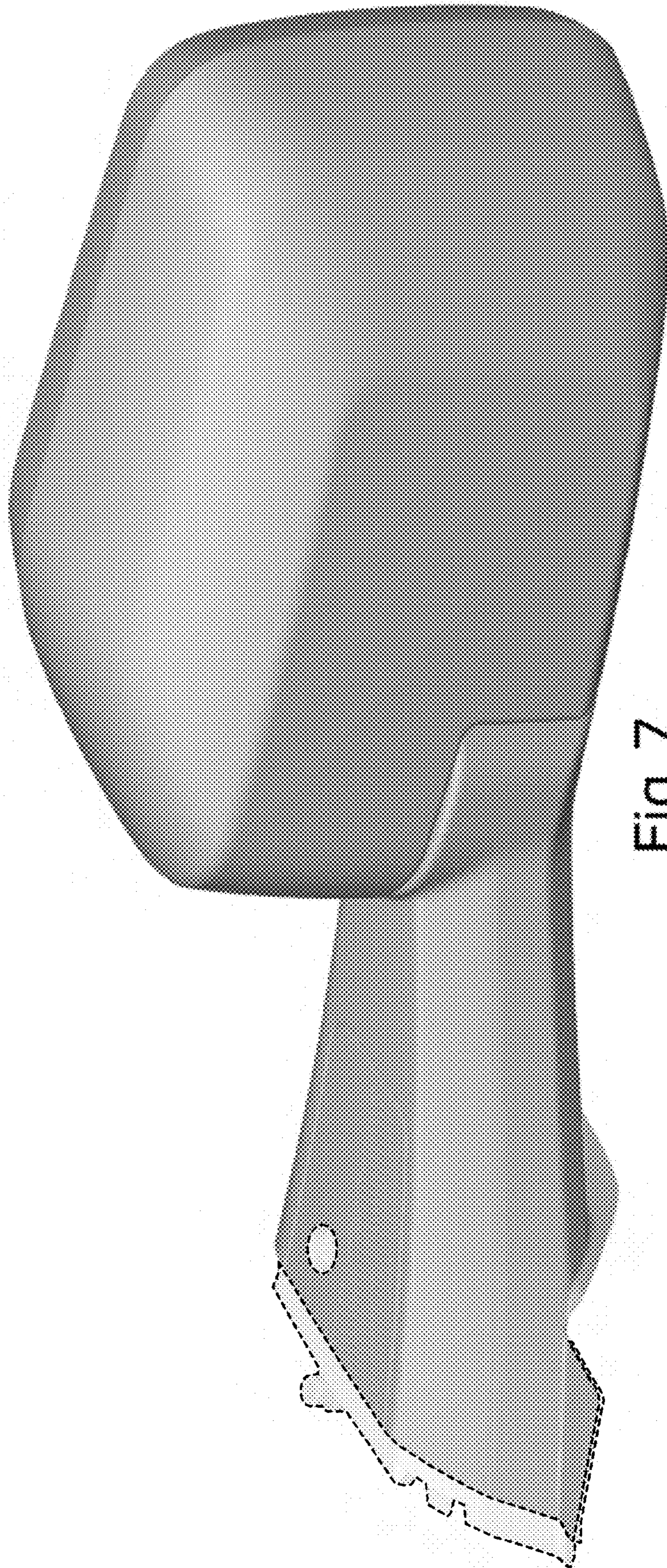


Fig. 7



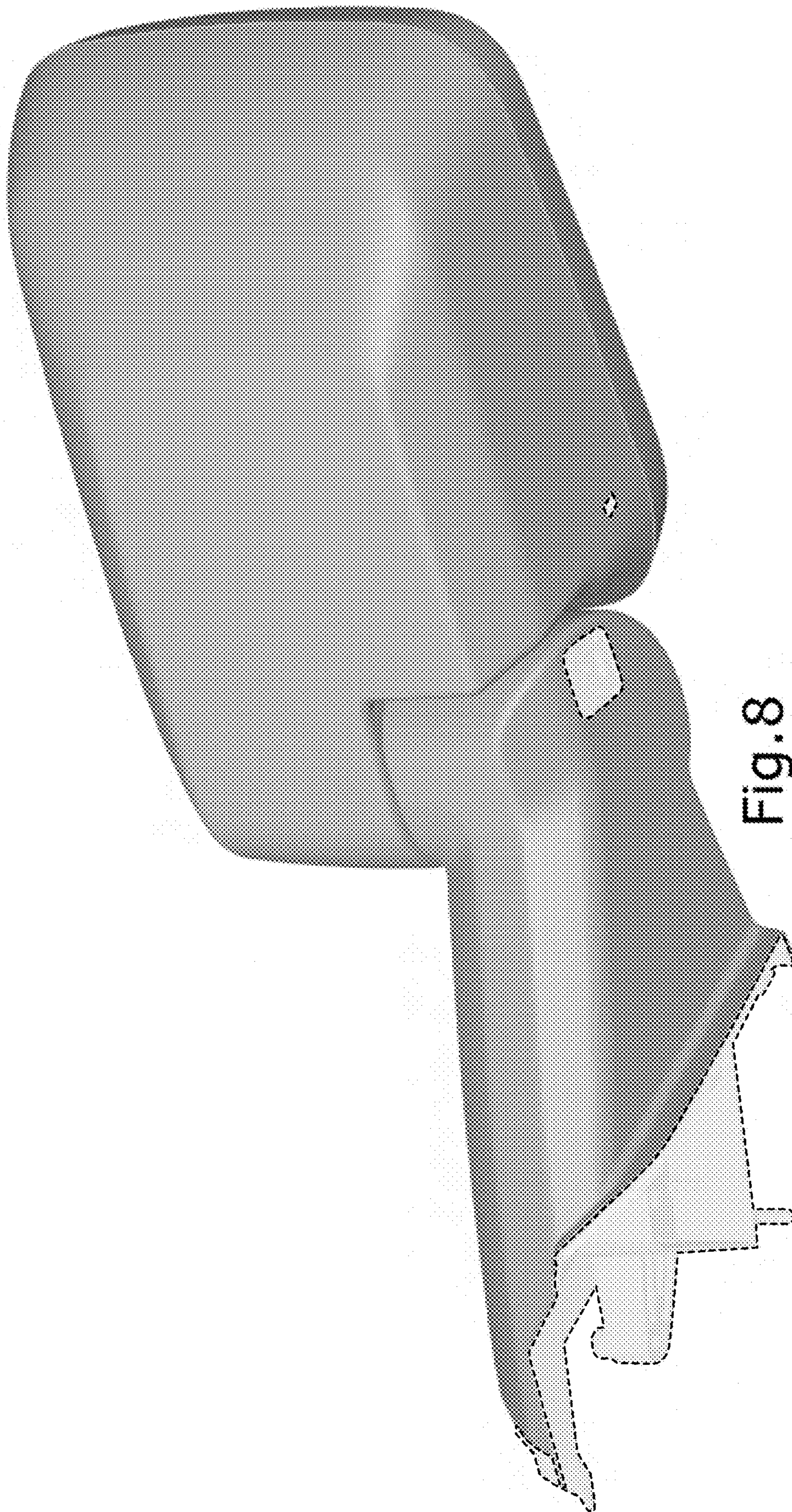


Fig. 8