



US00D936538S

(12) **United States Design Patent**
Resta

(10) **Patent No.:** **US D936,538 S**

(45) **Date of Patent:** **** Nov. 23, 2021**

(54) **STEERING WHEEL FOR CAR, TOY CAR
REPLICA, AND/OR OTHER REPLICAS**

(71) Applicant: **Ferrari S.p.A.**, Modena (IT)

(72) Inventor: **Simone Resta**, Maranello (IT)

(73) Assignee: **FERRARI S.p.A.**, Modena (IT)

(**) Term: **15 Years**

(21) Appl. No.: **29/659,658**

(22) Filed: **Aug. 10, 2018**

(30) **Foreign Application Priority Data**

Feb. 15, 2018 (EM) 004709616

Feb. 15, 2018 (EM) 004709624

(51) **LOC (13) Cl.** **12-16**

(52) **U.S. Cl.**
USPC **D12/175**

(58) **Field of Classification Search**
USPC D12/174, 175, 176, 177, 192, 196
CPC H01H 9/02; H01H 9/06; H01H 2009/066;
H04W 4/10; B64C 13/24; B64D 47/00;
F16M 13/00; F16M 13/02; F16M 13/022;
B62D 1/04; B62D 1/046
See application file for complete search history.

(56) **References Cited**

U.S. PATENT DOCUMENTS

2,747,057 A * 5/1956 Obszarny H01H 9/06
200/293.1
6,491,128 B1 * 12/2002 Lehmann B62D 1/04
180/315
D578,940 S * 10/2008 Tsay D12/175
7,726,692 B2 * 6/2010 Ozaki B62D 1/04
280/778

7,806,224 B2 * 10/2010 Maeda B62D 1/181
180/334
9,073,509 B2 * 7/2015 Pohanka B62D 1/046
D776,023 S * 1/2017 Allison D12/175
D787,994 S * 5/2017 Carbone D12/175
D813,123 S * 3/2018 Allison D12/175
10,080,110 B1 * 9/2018 McElmurry B64D 47/00

OTHER PUBLICATIONS

Moore, Eli. "Formula 1 Drivers are Basically Driving with a Video Game Controller on Steroids." Apr. 14, 2016. Red Bull, <https://www.redbull.com/us-en/formula-1-steering-wheel-breakdown-2016> (Year: 2016).*

(Continued)

Primary Examiner — Manpreet S Matharu

Assistant Examiner — Suzanne E Tisdell

(74) *Attorney, Agent, or Firm* — Cowan, Liebowitz & Latman, P.C.; Anastasia Zhadina

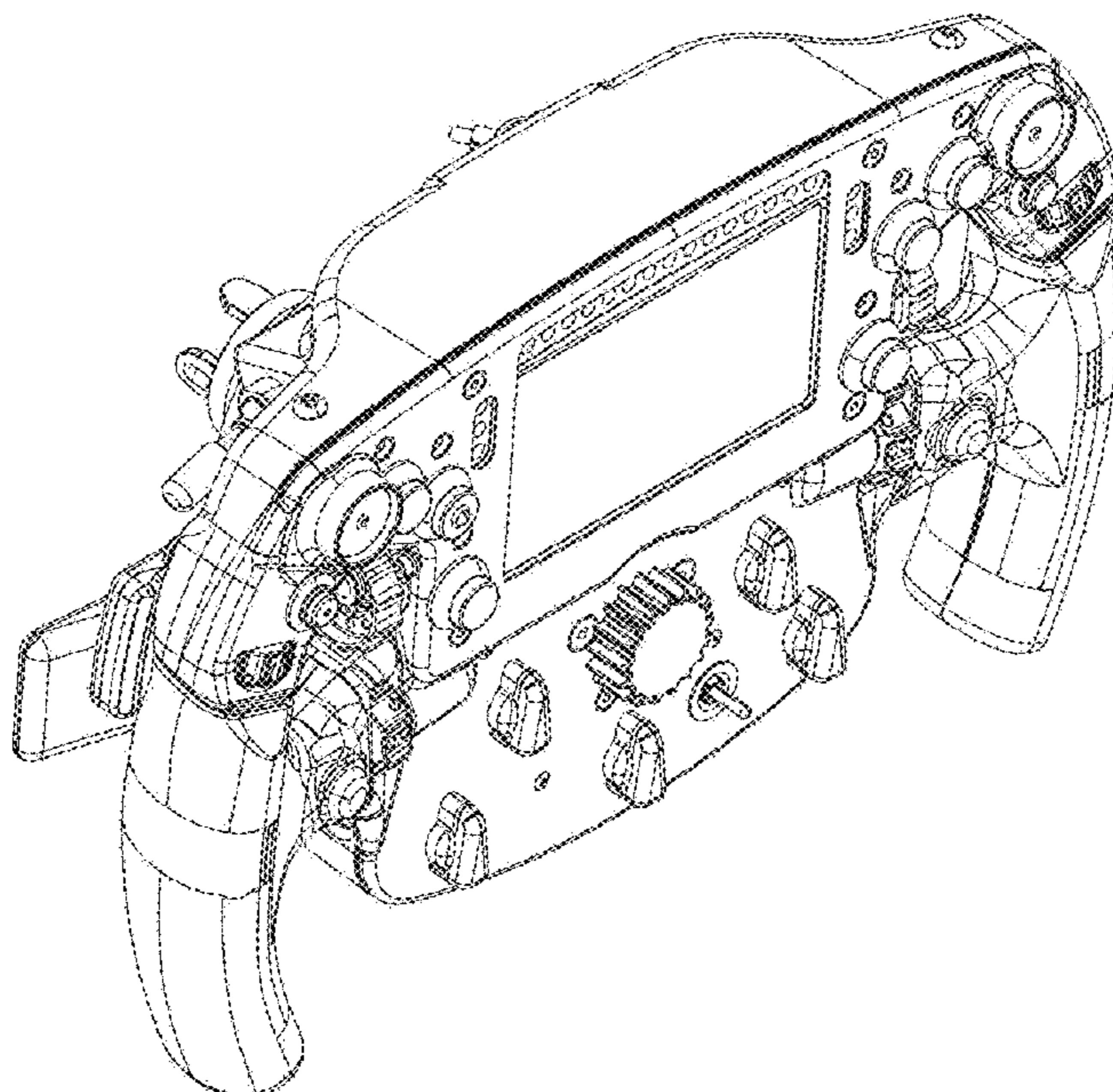
(57) **CLAIM**

The ornamental design for a steering wheel for car, toy car replica, and/or other replicas, as shown and described.

DESCRIPTION

FIG. 1 is a front perspective view of the steering wheel for car, toy car replica and/or other replicas showing my design; FIG. 2 is a front view thereof; FIG. 3 is a rear view thereof; FIG. 4 is a right side view thereof; FIG. 5 is a left side view thereof; FIG. 6 is a top plan view thereof; and, FIG. 7 is a bottom view thereof. Portions of the steering wheel shown in broken lines form no part of the claimed design.

1 Claim, 7 Drawing Sheets



(56)

References Cited

OTHER PUBLICATIONS

“Tech Insight—Vettel’s Search for Superior Starts.” Oct. 8, 2017. Formula 1. <https://www.formula1.com/en/latest/article.tech-insight-vettels-search-for-superior-starts.31s9ZSK8IOKQWSmlMMUMq2.html> (Year: 2017).*

Golson, Jordan. “An Inside Look at the Insanely Complex Formula 1 Steering Wheel.” May 7, 2014. Wired. <https://www.wired.com/2014/05/formula-1-steering-wheels/> (Year: 2014).*

* cited by examiner

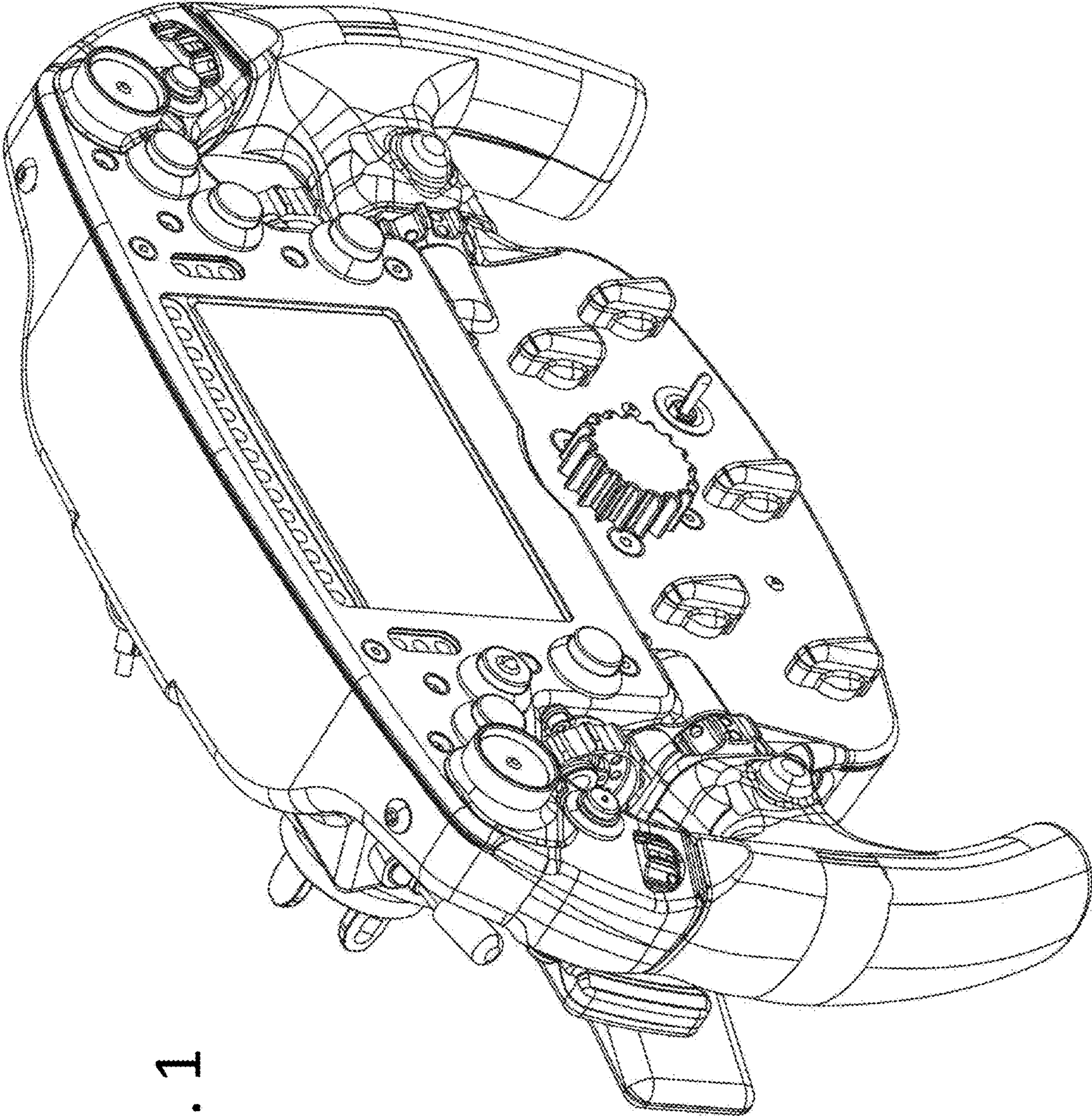


FIG. 1

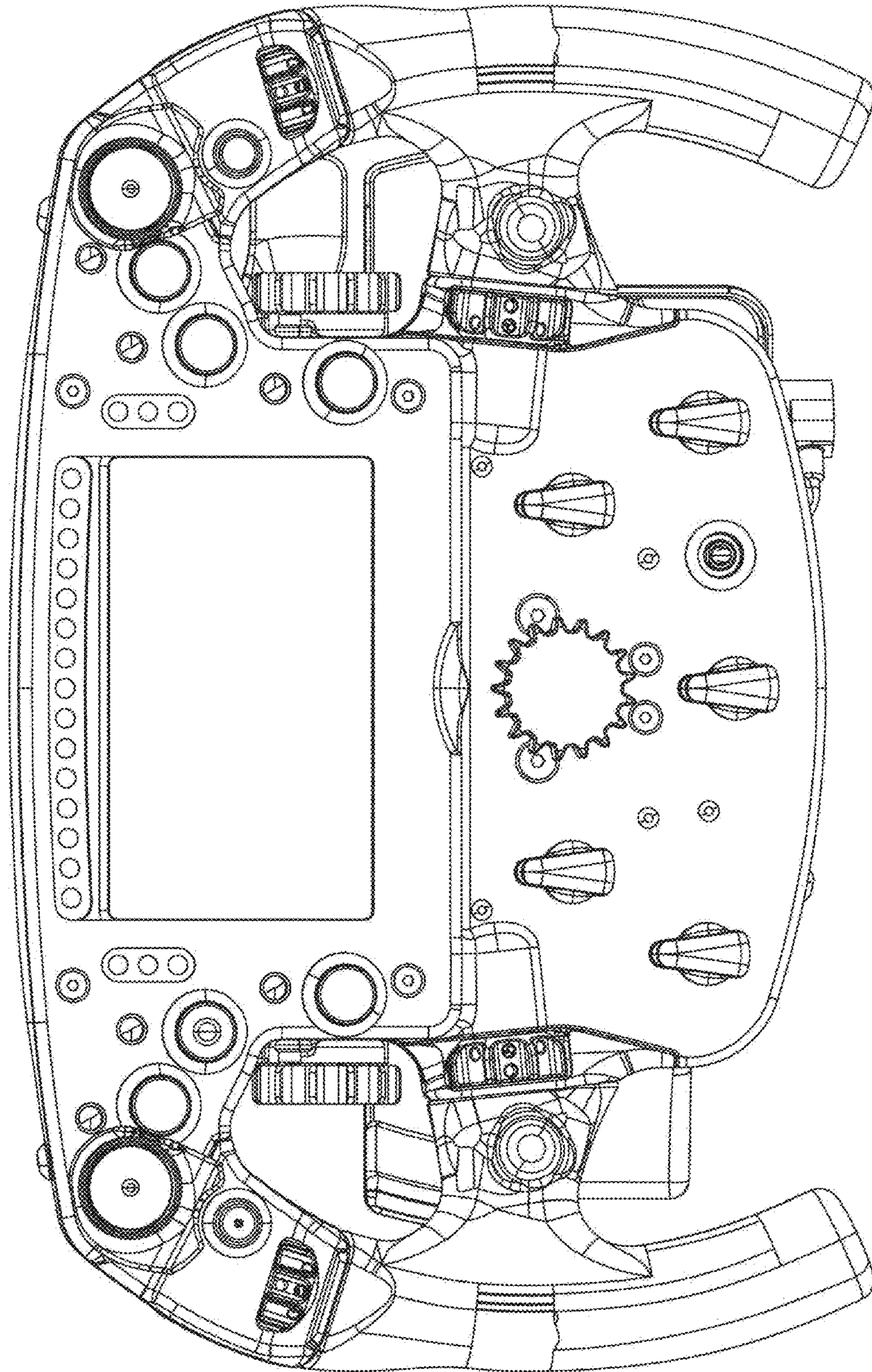


FIG. 2

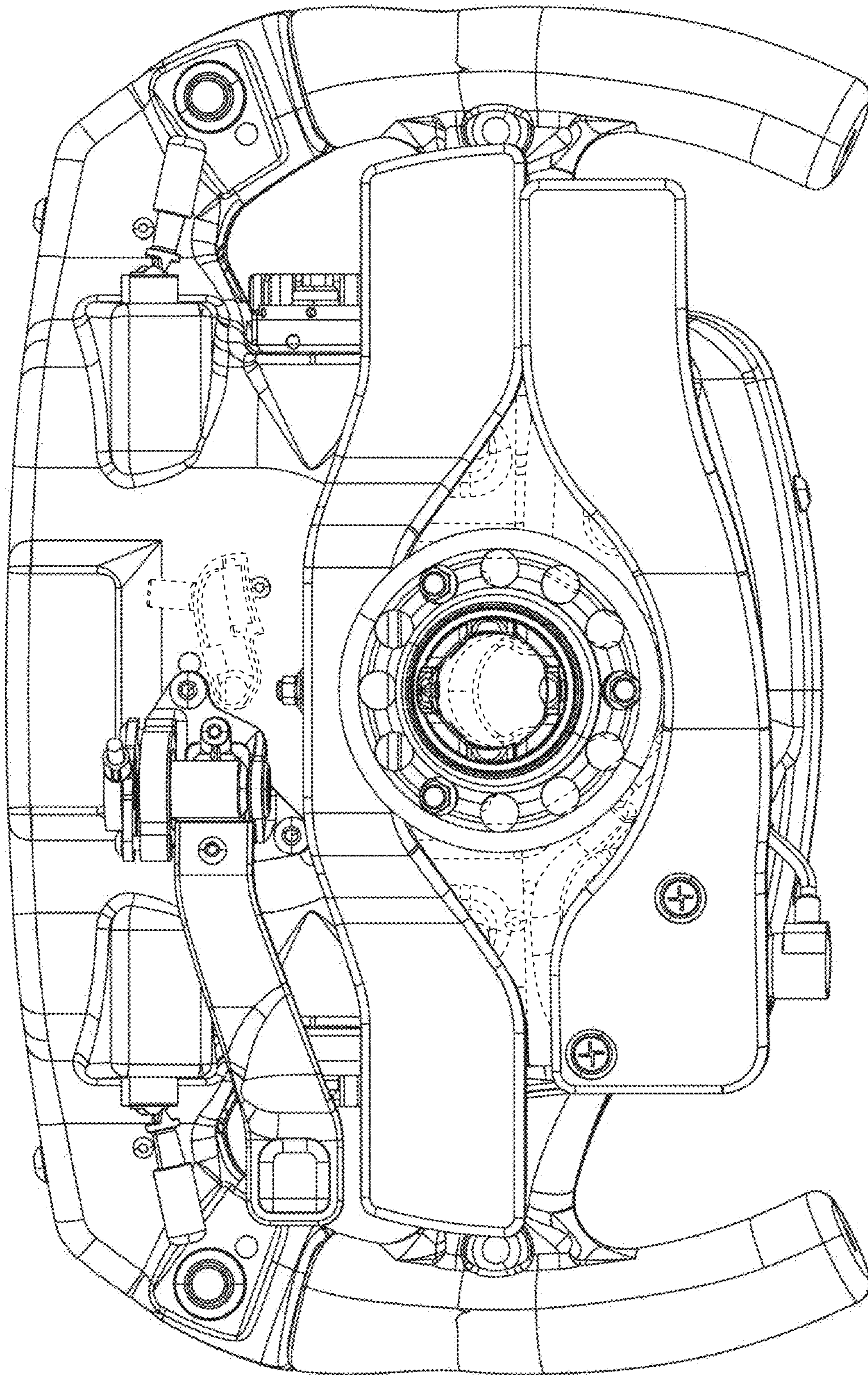


FIG. 3

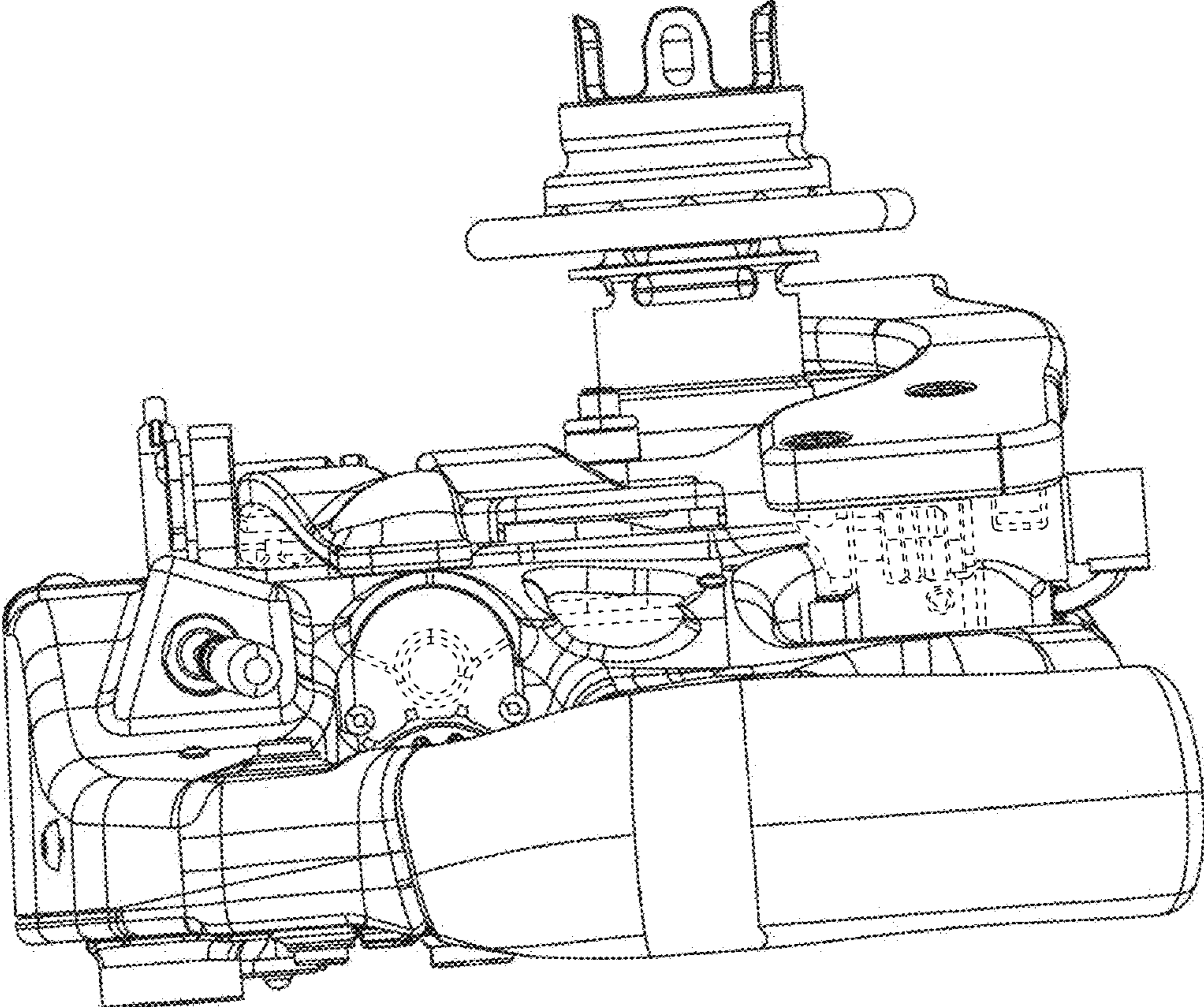


FIG. 4

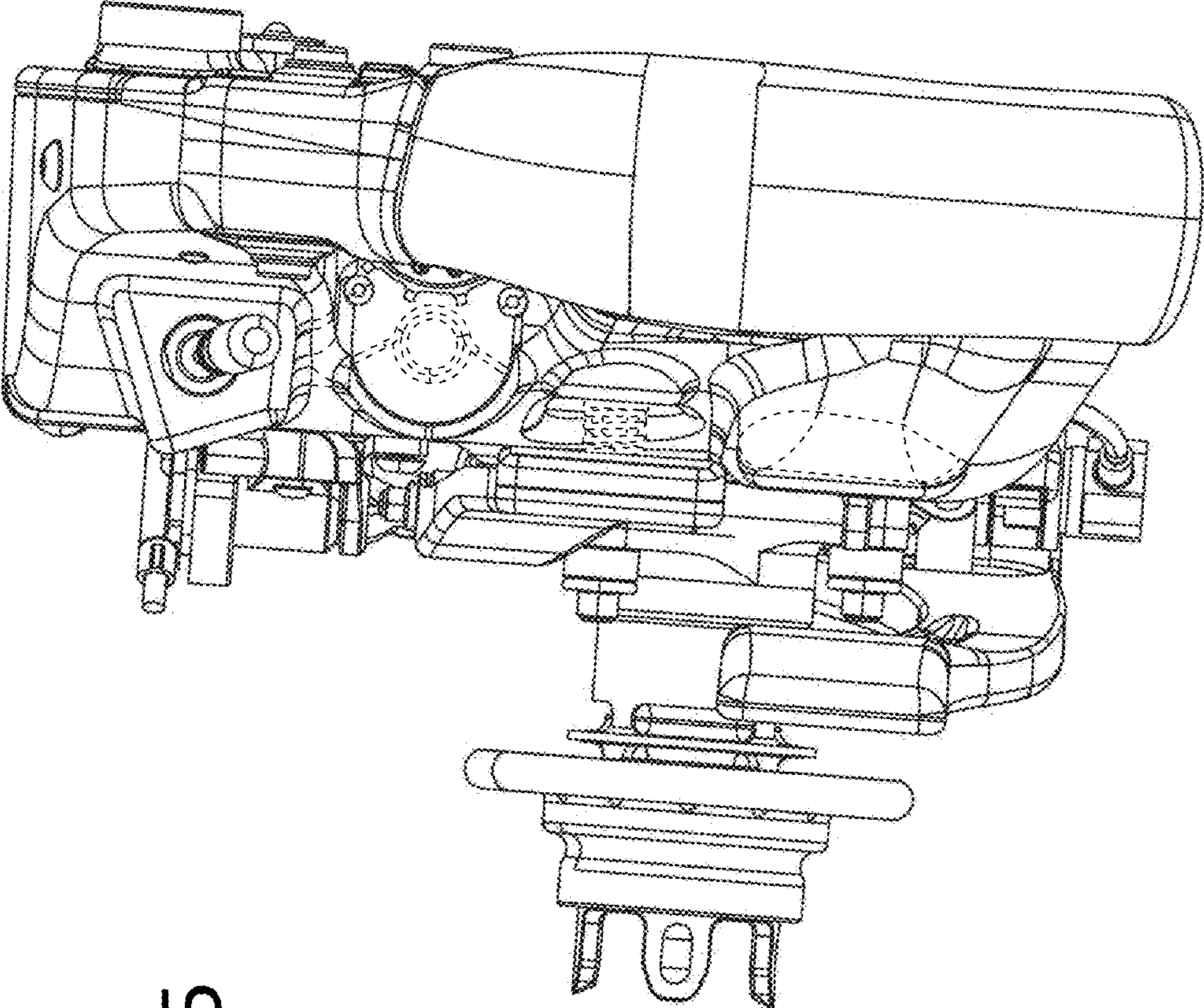


FIG. 5

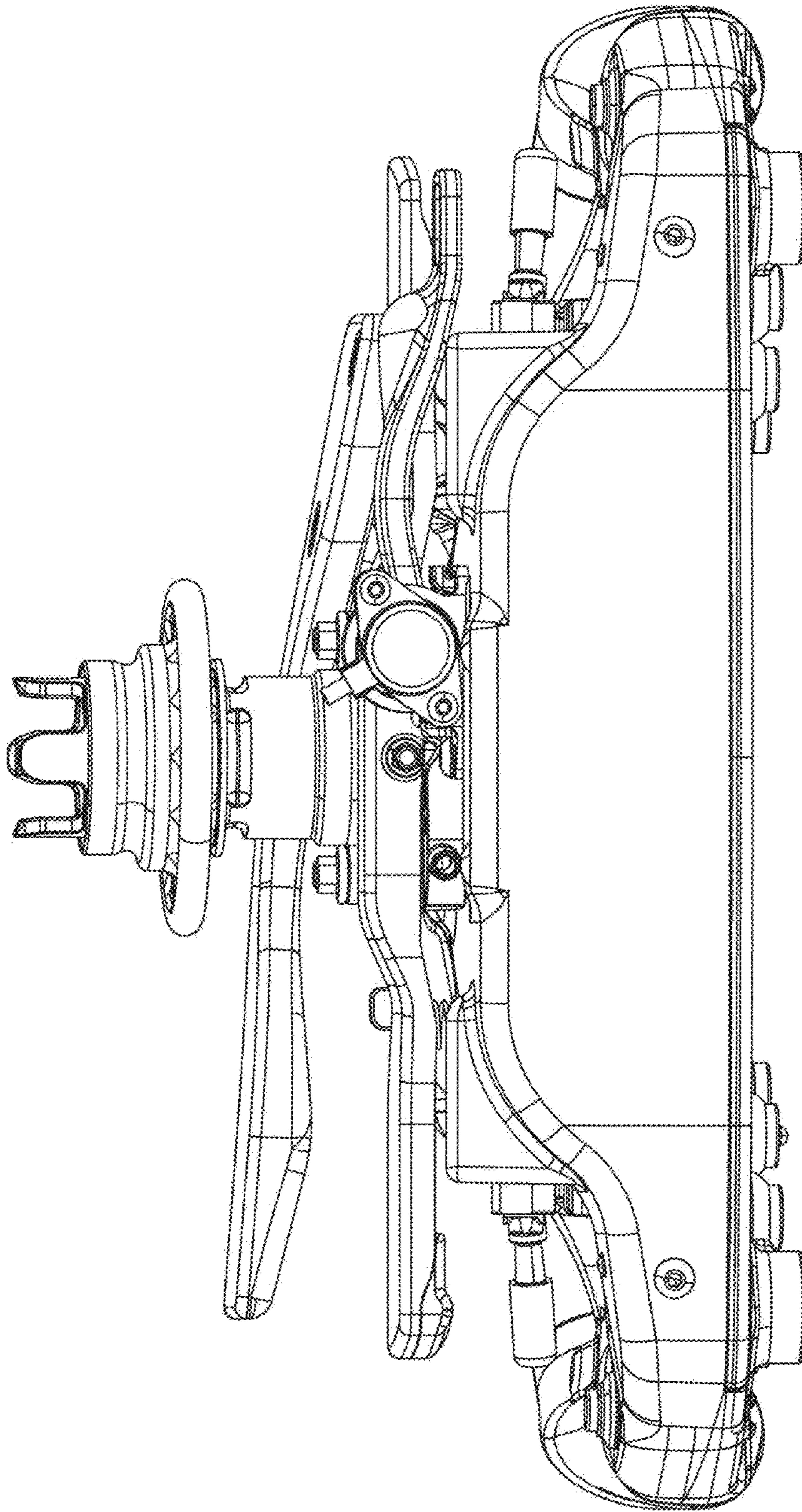


FIG. 6

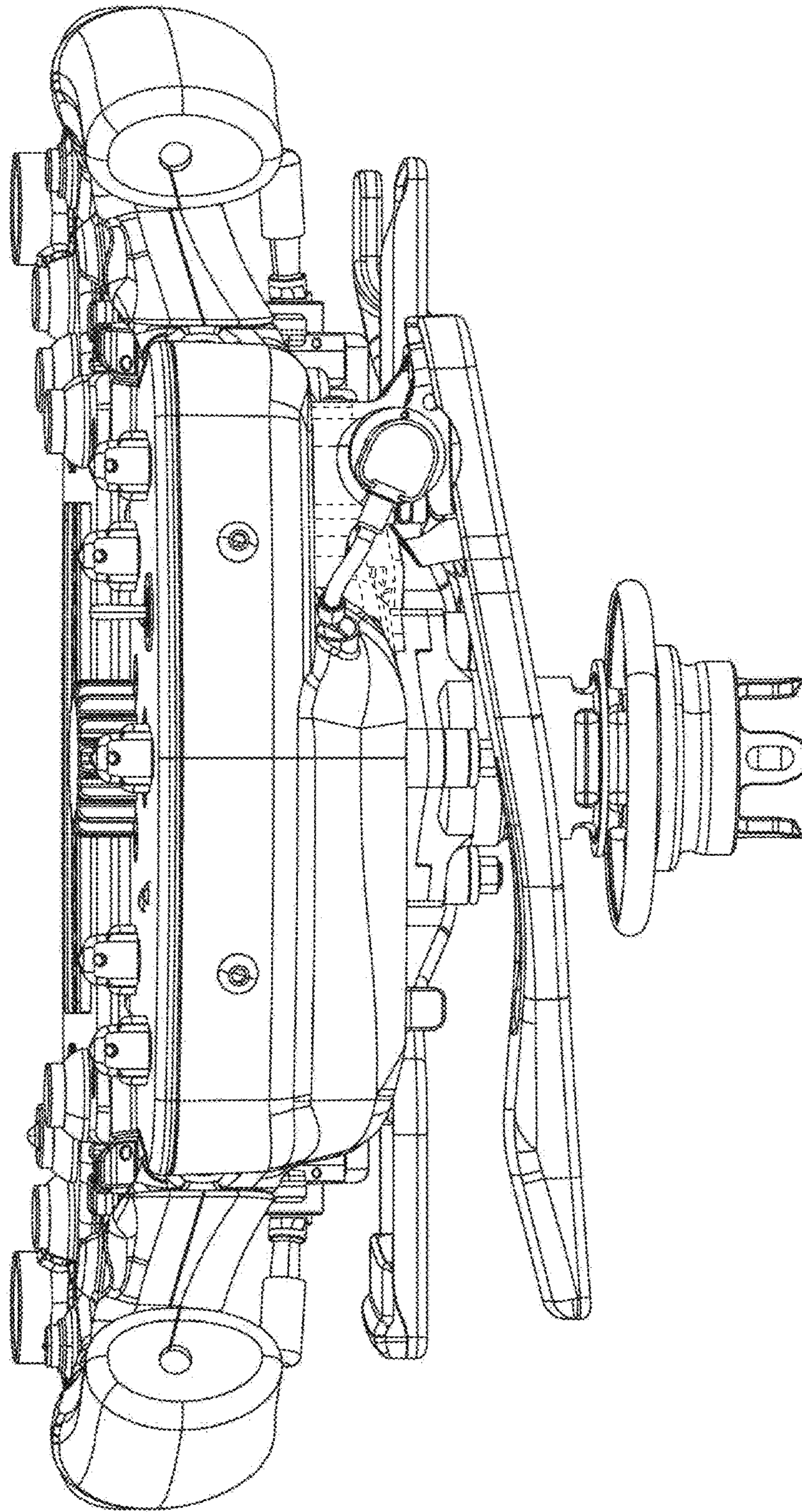


FIG. 7