

US00D936537S

(12) **United States Design Patent** (10) **Patent No.:** **US D936,537 S**
Difrancescantonio et al. (45) **Date of Patent:** **** Nov. 23, 2021**

(54) **STEERING COLUMN FOR A VEHICLE**

(71) Applicant: **Jaguar Land Rover Limited**, Coventry (GB)

(72) Inventors: **Andrea Difrancescantonio**, Coventry (GB); **Toby Nunn**, Coventry (GB)

(73) Assignee: **JAGUAR LAND ROVER LIMITED**, Whitley Coventry (GB)

(**) Term: **15 Years**

(21) Appl. No.: **29/720,016**

(22) Filed: **Jan. 9, 2020**

(51) **LOC (13) Cl.** **12-16**

(52) **U.S. Cl.**
USPC **D12/174**

(58) **Field of Classification Search**
USPC D8/75, 76, 77; D15/14, 15, 17, 22-26, D15/28, 31, 3; D12/86, 90, 91, 92, 163, D12/164, 169, 171, 196, 216, 174, 175, D12/176, 177, 192
CPC B62D 1/16; B60Q 1/1461
See application file for complete search history.

(56) **References Cited**

U.S. PATENT DOCUMENTS

- D363,053 S * 10/1995 Abele D12/192
- 5,802,924 A * 9/1998 Johnson B60Q 1/1461
403/3
- D570,655 S * 6/2008 Meagher D8/14
- D706,309 S * 6/2014 Klein D15/28
- D775,016 S * 12/2016 Reynolds D12/171
- D803,896 S * 11/2017 Jilbert D15/28
- D809,967 S * 2/2018 Lampkin D12/16

- D816,728 S * 5/2018 Diebold D15/28
- D873,738 S * 1/2020 Armigliato D12/174
- D896,139 S * 9/2020 Williams D12/171
- D897,913 S * 10/2020 Godard D12/175
- D910,509 S * 2/2021 Nightingale D12/175
- 2016/0288819 A1* 10/2016 Uesaka B62D 1/16

* cited by examiner

Primary Examiner — Susan E Krakower

Assistant Examiner — Jerry Shiuan-Hua Hsu

(74) *Attorney, Agent, or Firm* — Reising Ethington P.C.

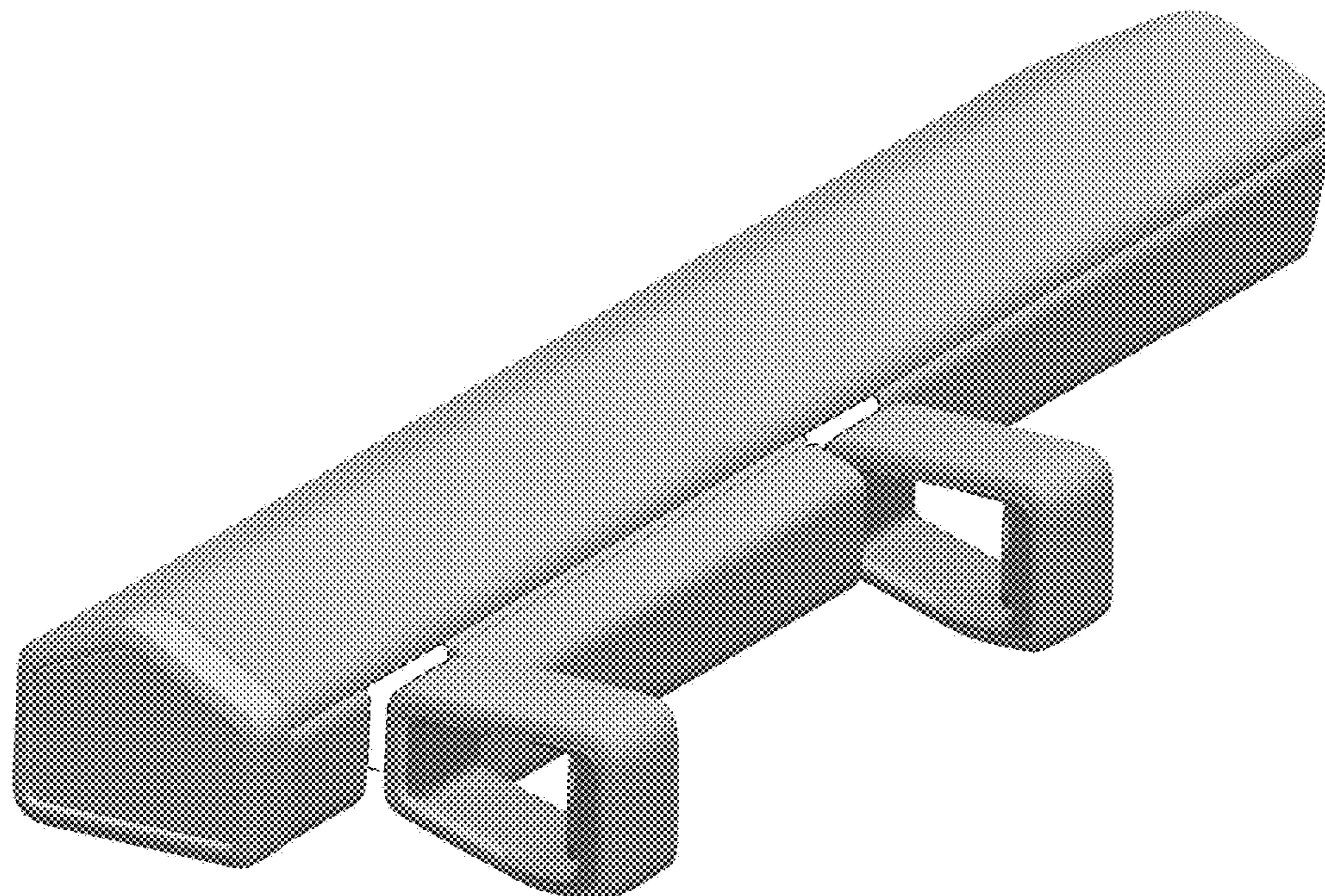
(57) **CLAIM**

The ornamental design for a steering column for a vehicle, as shown and described.

DESCRIPTION

FIG. 1 is a front left top perspective view of a steering column for a vehicle, showing our new design.
 FIG. 2 is a front left perspective view thereof.
 FIG. 3 is a rear right top perspective view thereof.
 FIG. 4 is a rear right perspective view thereof.
 FIG. 5 is a front view thereof.
 FIG. 6 is a rear view thereof.
 FIG. 7 is a left side view thereof, shown enlarged for ease of illustration.
 FIG. 8 is a right side view thereof, shown enlarged for ease of illustration.
 FIG. 9 is a top view thereof; and,
 FIG. 10 is a bottom view thereof.
 The broken lines illustrate portions of the steering column for a vehicle that form no part of the claimed design.

1 Claim, 10 Drawing Sheets



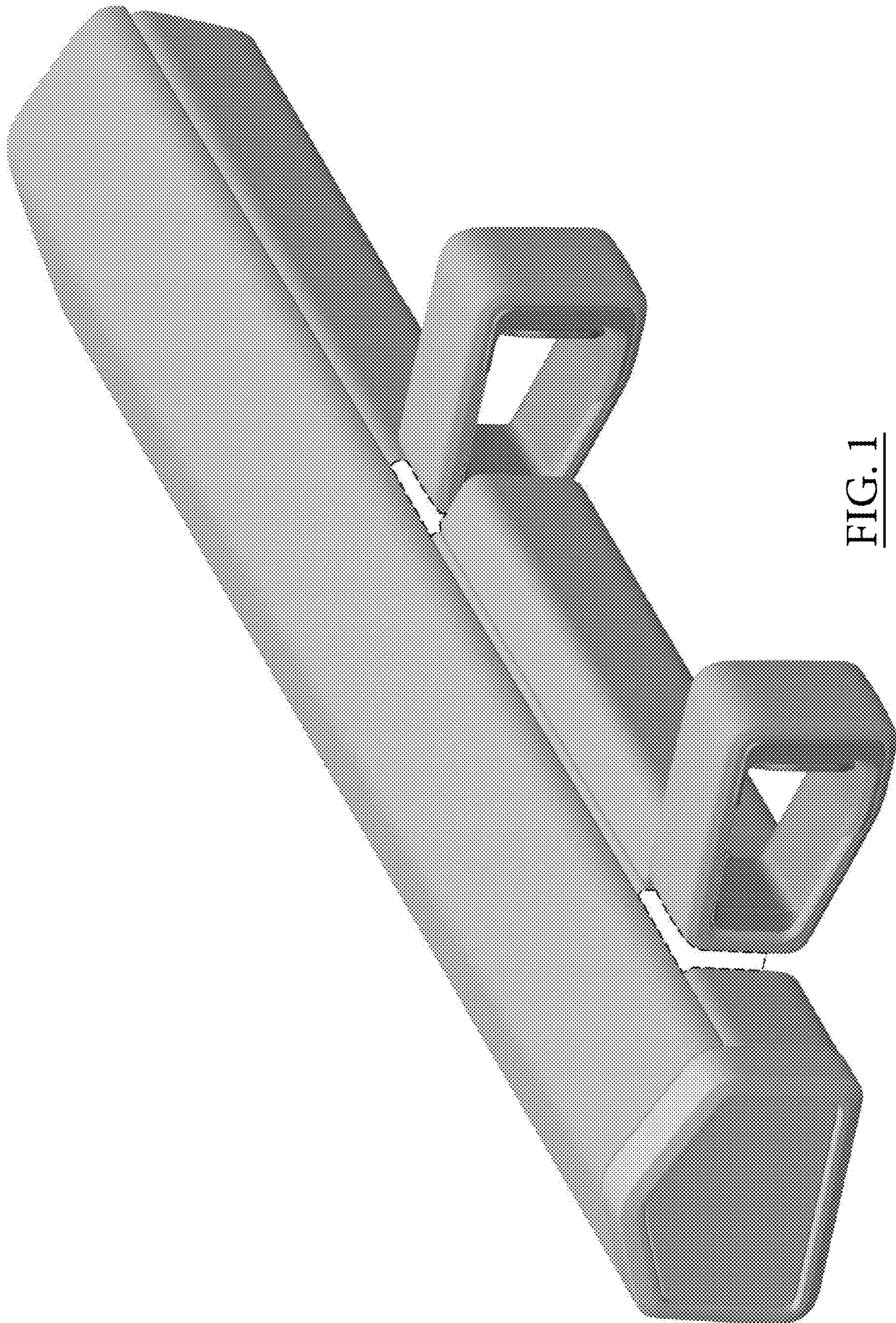


FIG. 1

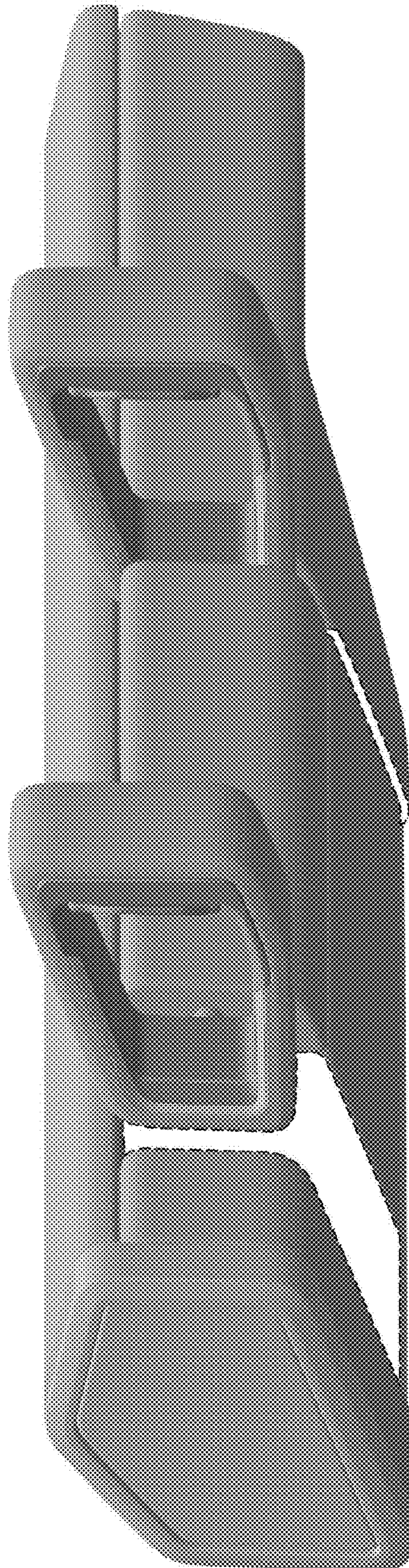


FIG. 2

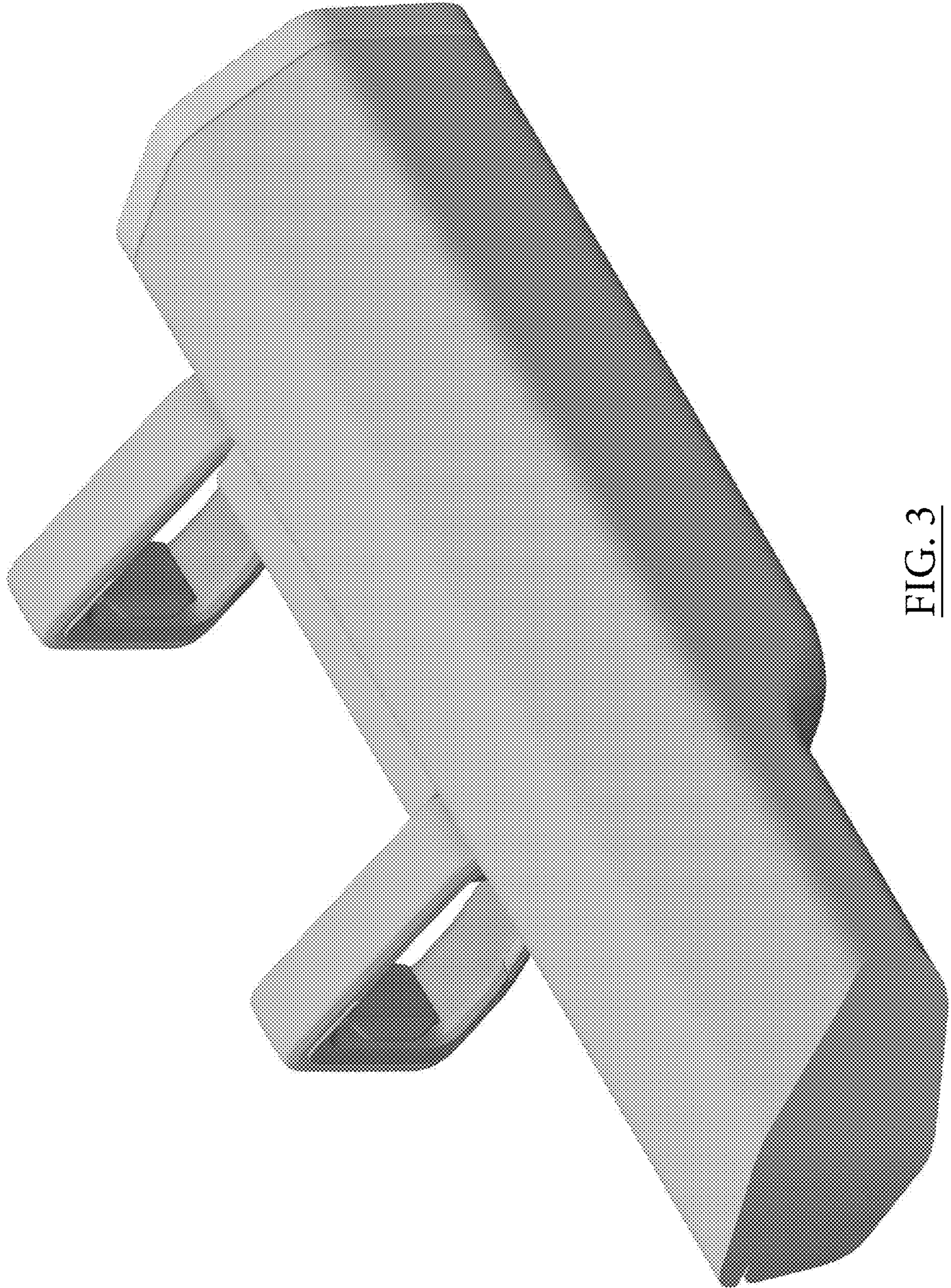


FIG. 3

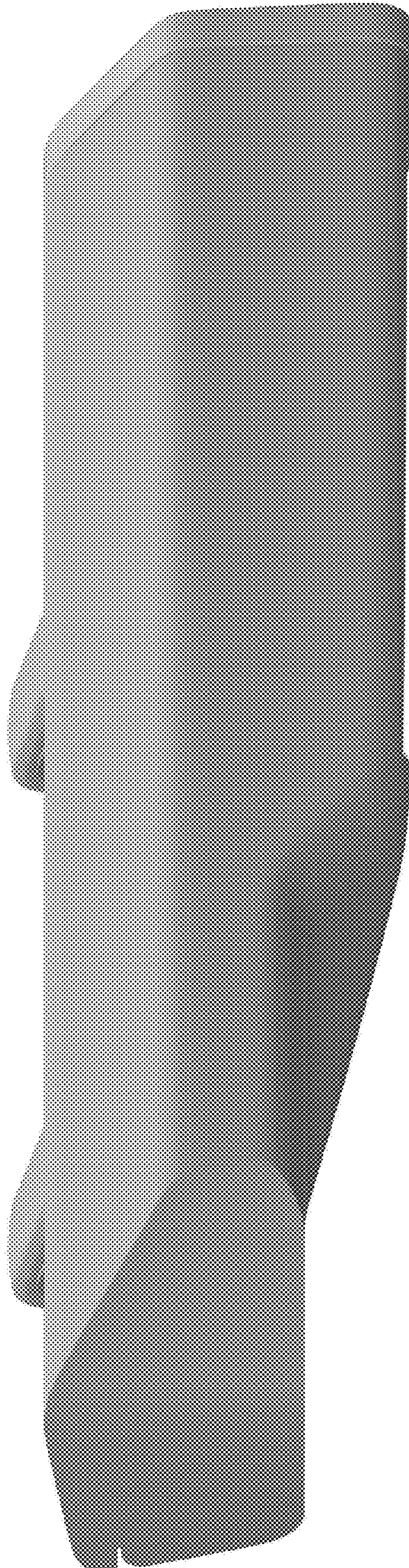


FIG. 4

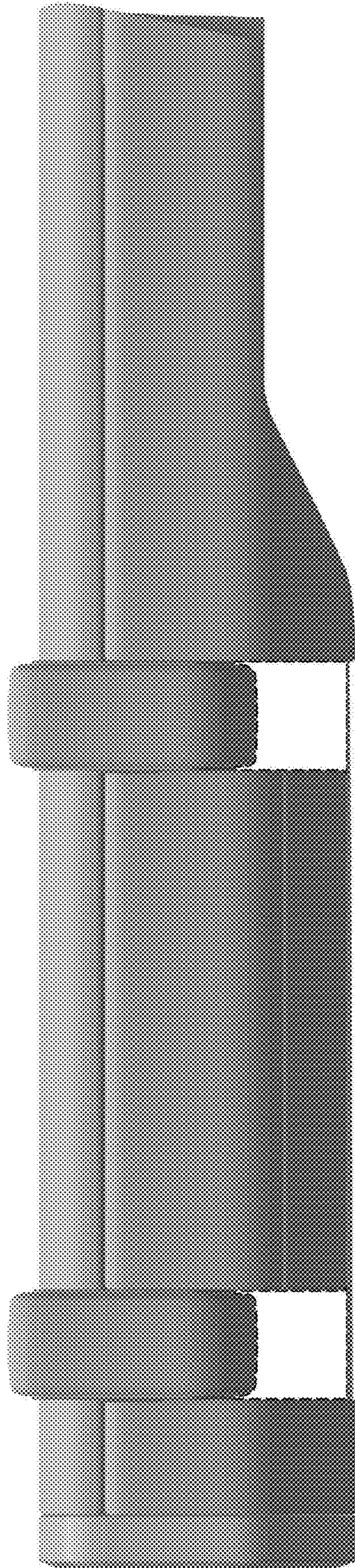


FIG. 5

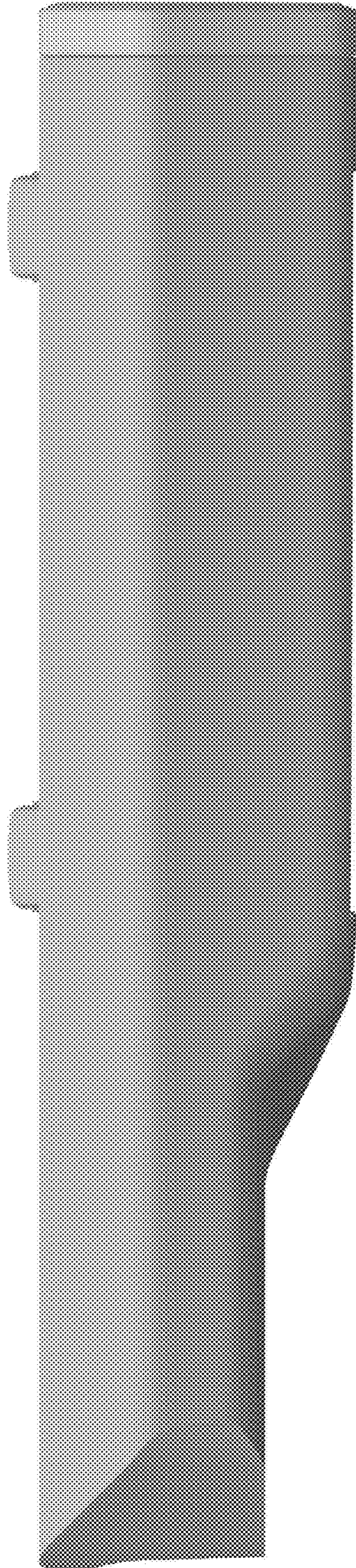


FIG. 6

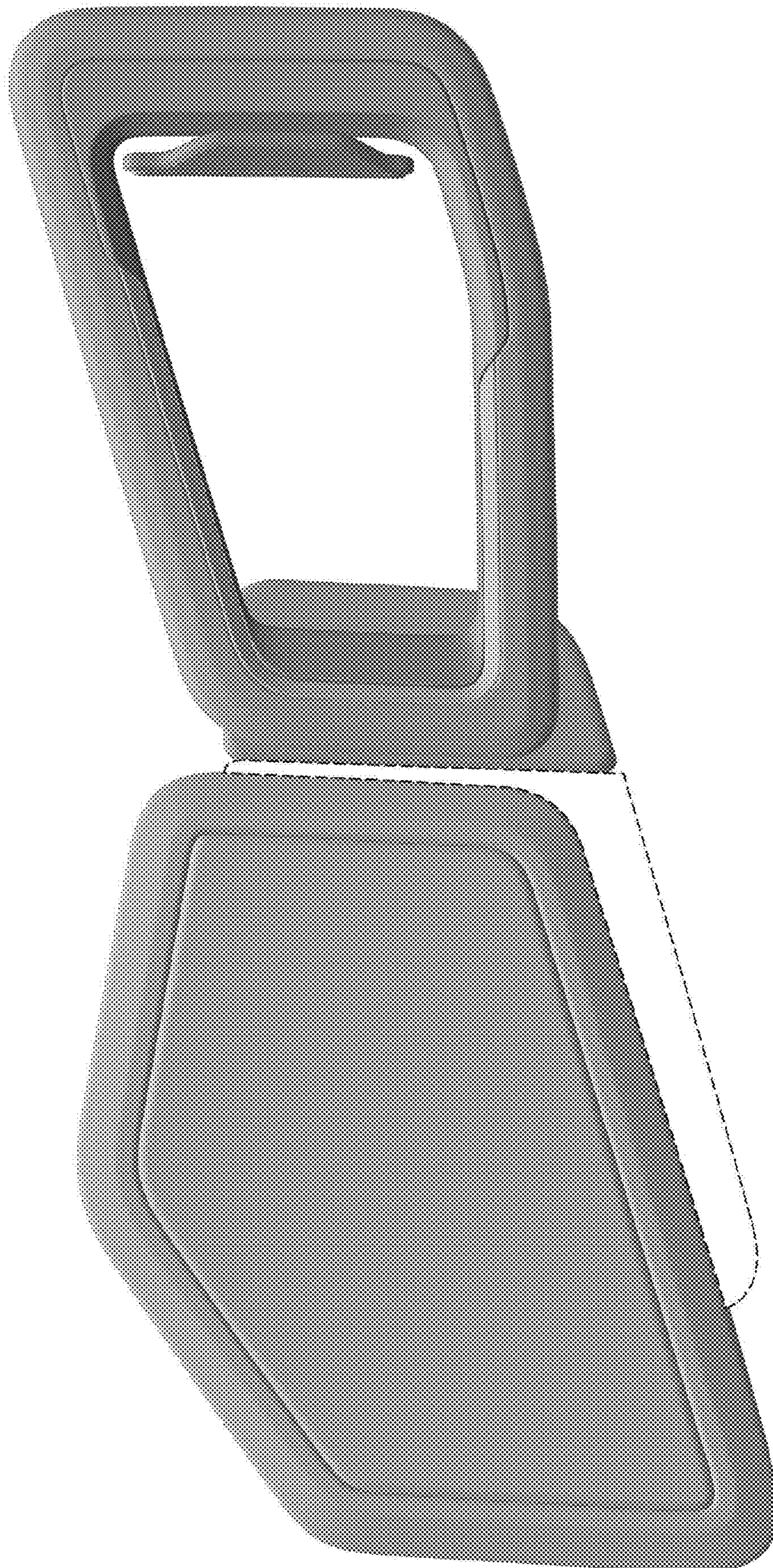


FIG. 7

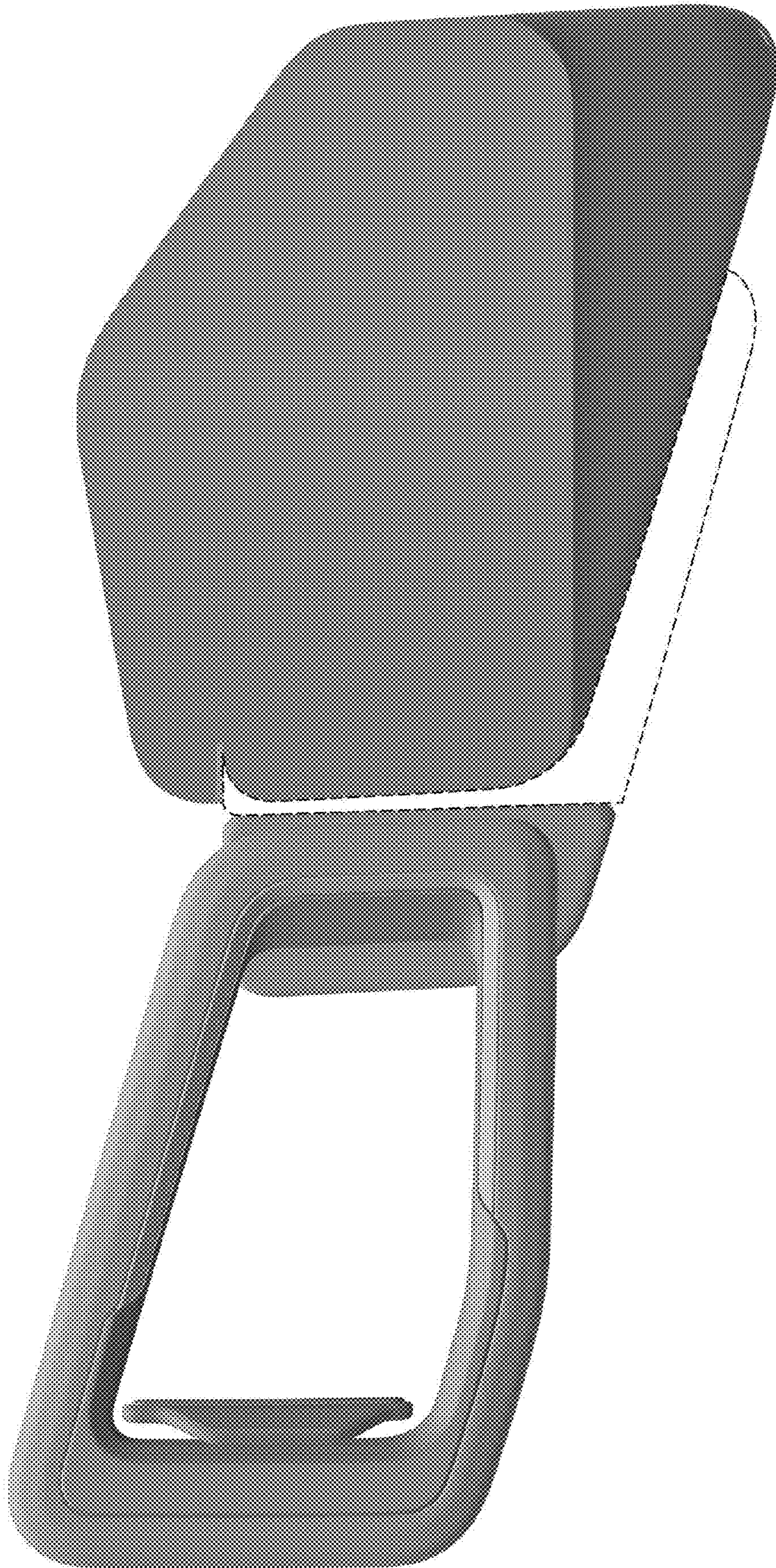


FIG. 8

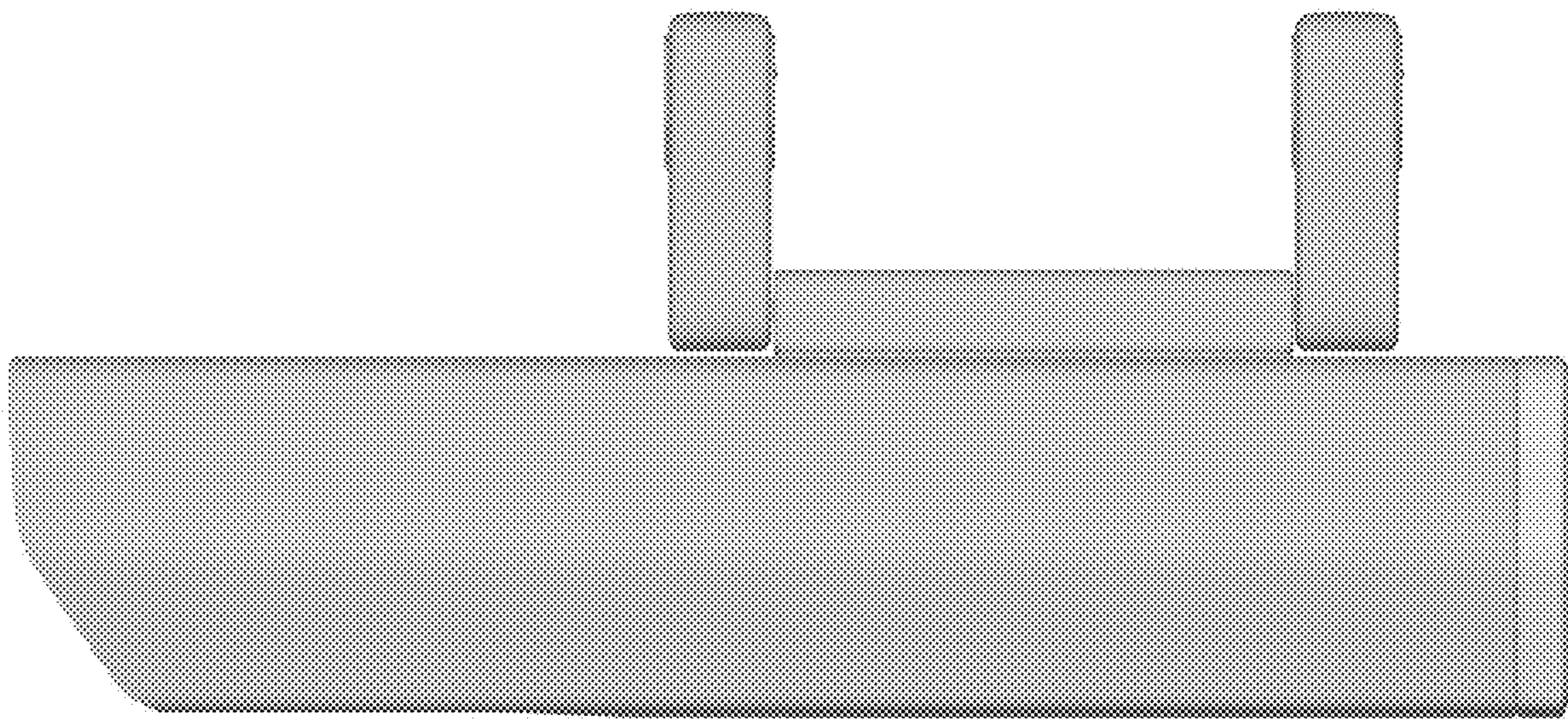


FIG. 9

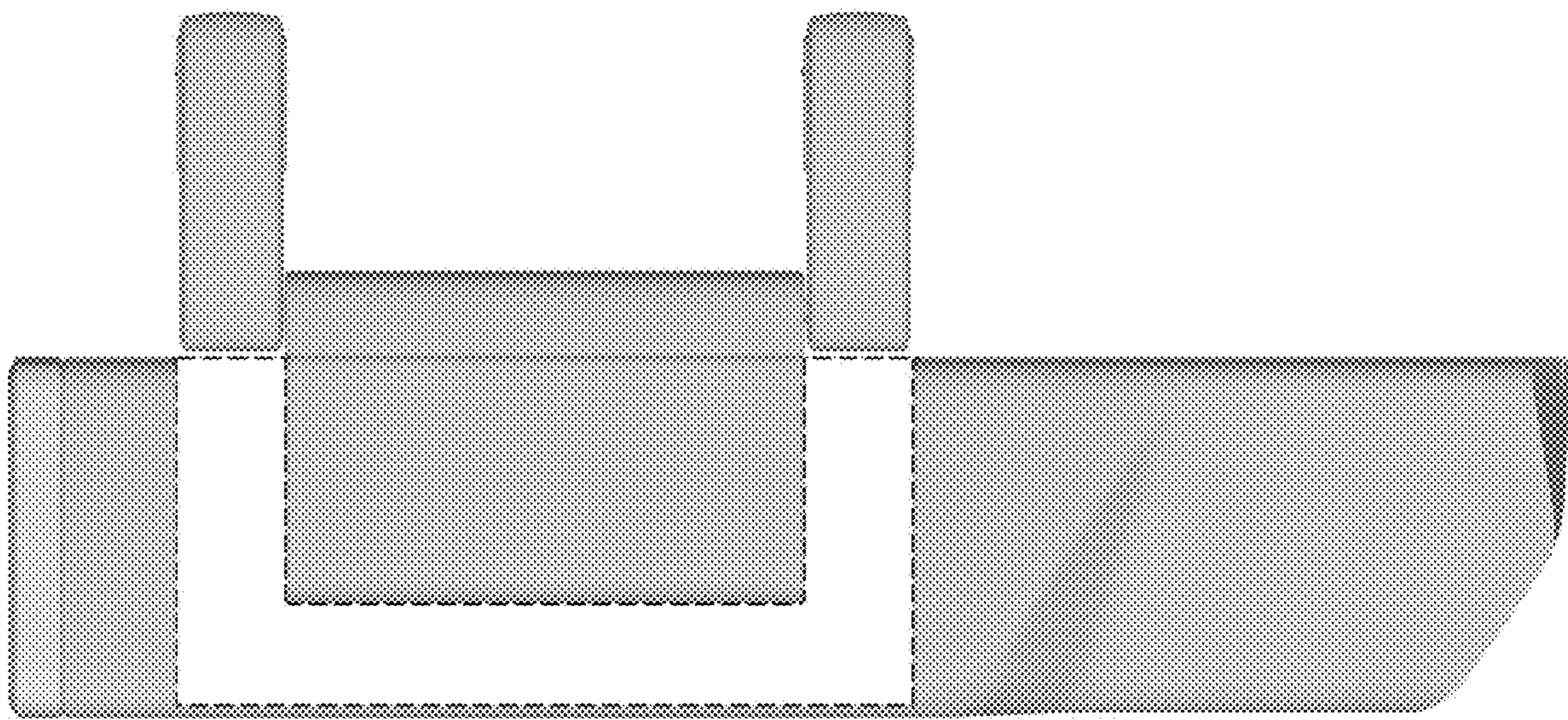


FIG. 10