



US00D936533S

(12) **United States Design Patent**
DiCanzio

(10) **Patent No.:** **US D936,533 S**

(45) **Date of Patent:** **** Nov. 23, 2021**

(54) **REAR BUMPER**

D892,004 S * 8/2020 Li D12/169
D892,005 S * 8/2020 Marshall D12/169
D909,261 S * 2/2021 Marshall D12/169

(71) Applicant: **Turn 5, Inc.**, Paoli, PA (US)

(72) Inventor: **Michael DiCanzio**, West Chester, PA (US)

(73) Assignee: **TURN 5, Inc.**, Paoli, PA (US)

(**) Term: **15 Years**

(21) Appl. No.: **29/708,416**

(22) Filed: **Oct. 6, 2019**

(51) **LOC (13) Cl.** **12-16**

(52) **U.S. Cl.**
USPC **D12/169**

(58) **Field of Classification Search**
USPC ... D12/1, 14, 82, 85, 86, 87, 88, 89, 90, 91,
D12/92, 93, 96, 97, 98, 99, 163, 164,
D12/165, 167, 169, 170, 171, 172, 173,
D12/181, 184, 185, 190, 196, 223, 400;
D21/533, 548, 552, 561
CPC B60R 19/02; B60R 19/04; B60R 19/18;
B60R 19/24; B60R 19/56; B60R
2019/007; B60R 2019/1886; B62D 25/08
See application file for complete search history.

(56) **References Cited**

U.S. PATENT DOCUMENTS

D280,497 S * 9/1985 Sullivan D12/169
D340,901 S * 11/1993 Smith D12/169
D360,865 S * 8/1995 Hanson D12/169
D751,012 S * 3/2016 Hare D12/171
D792,817 S * 7/2017 McMath D12/171
D814,984 S * 4/2018 Wymore D12/169
D846,462 S * 4/2019 DiCanzio D12/171
D870,615 S * 12/2019 Wood D12/171
D879,685 S * 3/2020 Bennett D12/171
D886,002 S * 6/2020 DiCanzio D12/169

OTHER PUBLICATIONS

Barricade Tacoma HD Rear Bumper, Published on Aug. 12, 2019 [online], [retrieved on Mar. 31, 2021]. Retrieved from the Internet: <https://www.youtube.com/watch?v=VJGoDAjJ498> (Year: 2019).*

* cited by examiner

Primary Examiner — Christian P. McLean

Assistant Examiner — Adam C Mager

(74) *Attorney, Agent, or Firm* — Troutman Pepper Hamilton Sanders LLP

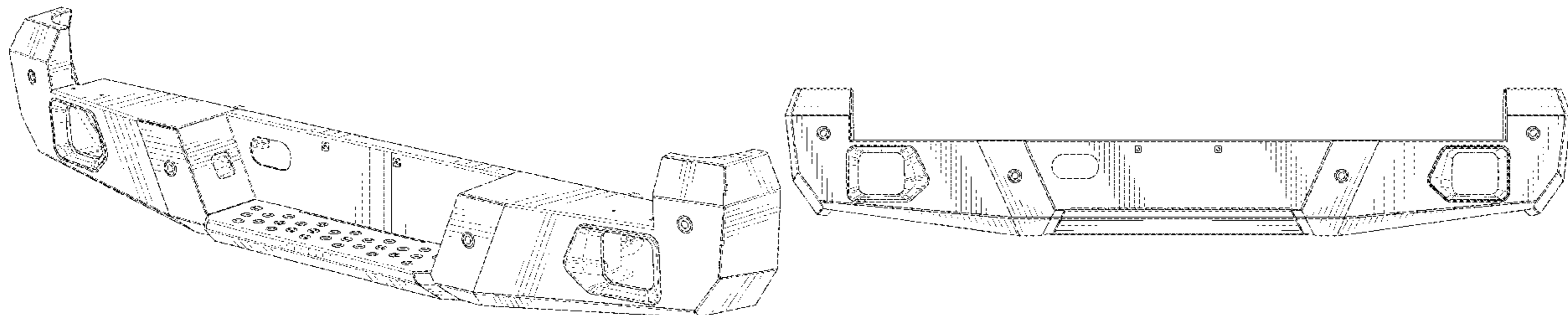
(57) **CLAIM**

The ornamental design for the rear bumper, as shown and described.

DESCRIPTION

FIG. 1 is a top perspective view of the rear bumper of the present invention;
FIG. 2 is a top view thereof;
FIG. 3 is a bottom view thereof;
FIG. 4 is a front elevation view thereof;
FIG. 5 is a rear elevation view thereof;
FIG. 6 is a right side view thereof;
FIG. 7 is a left side view thereof;
FIG. 8 is a lower right side perspective view thereof; and,
FIG. 9 is an upper perspective view thereof.
The broken lines are included for the purpose of illustrating portions of the rear bumper that form no part of the claimed design.

1 Claim, 6 Drawing Sheets



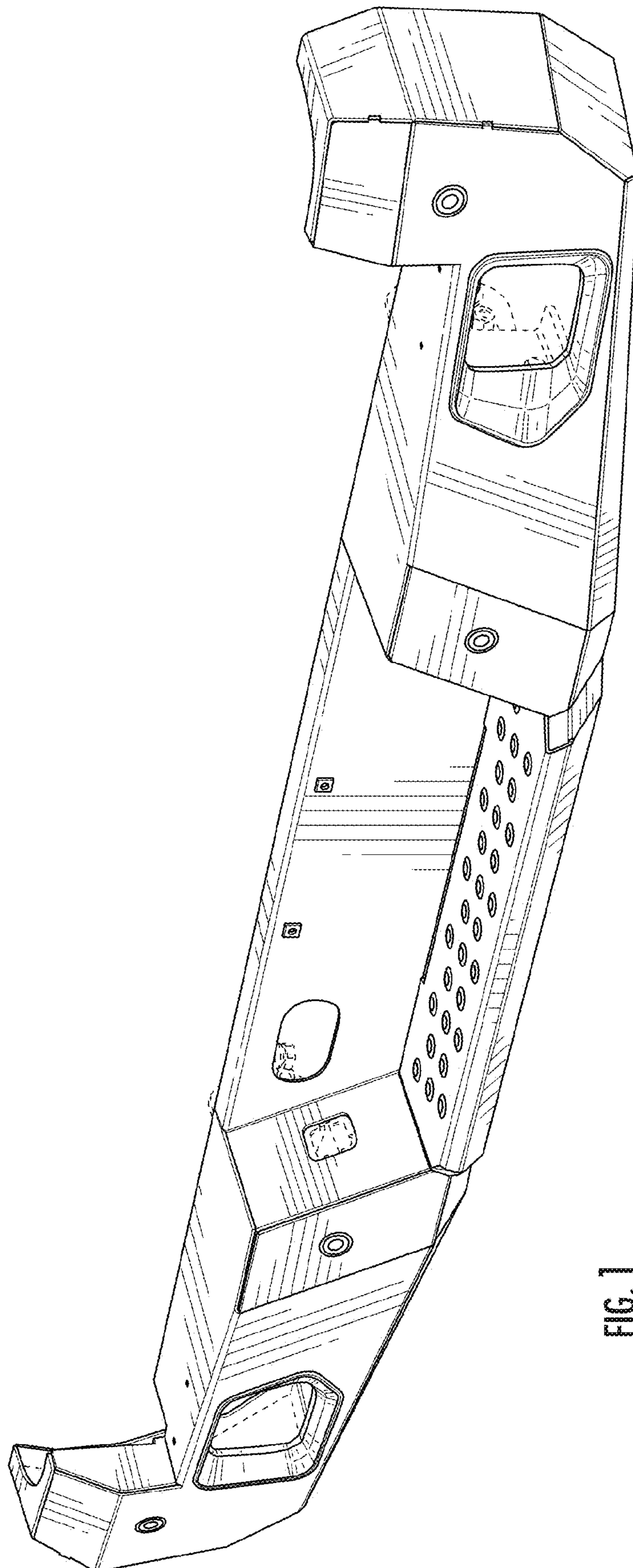


FIG. 1

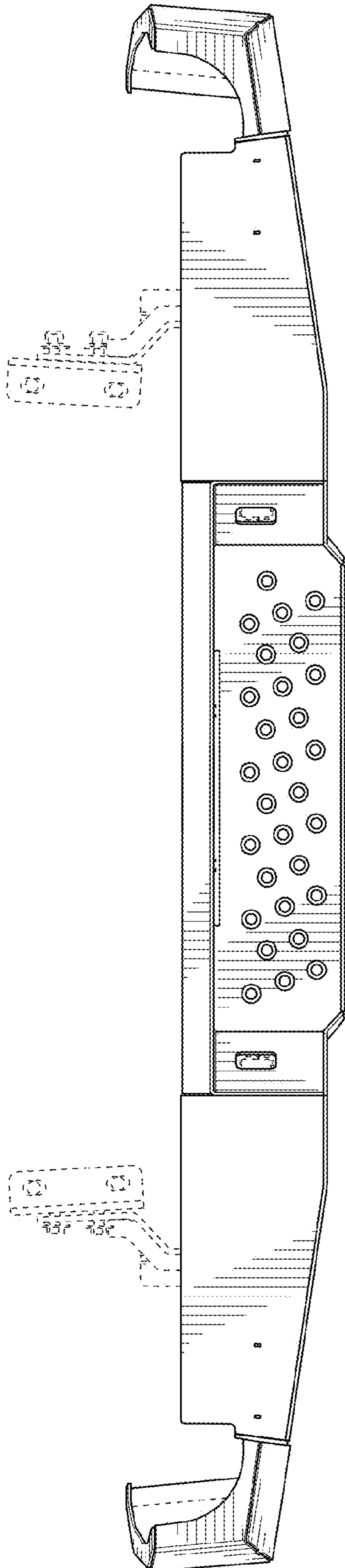


FIG. 2

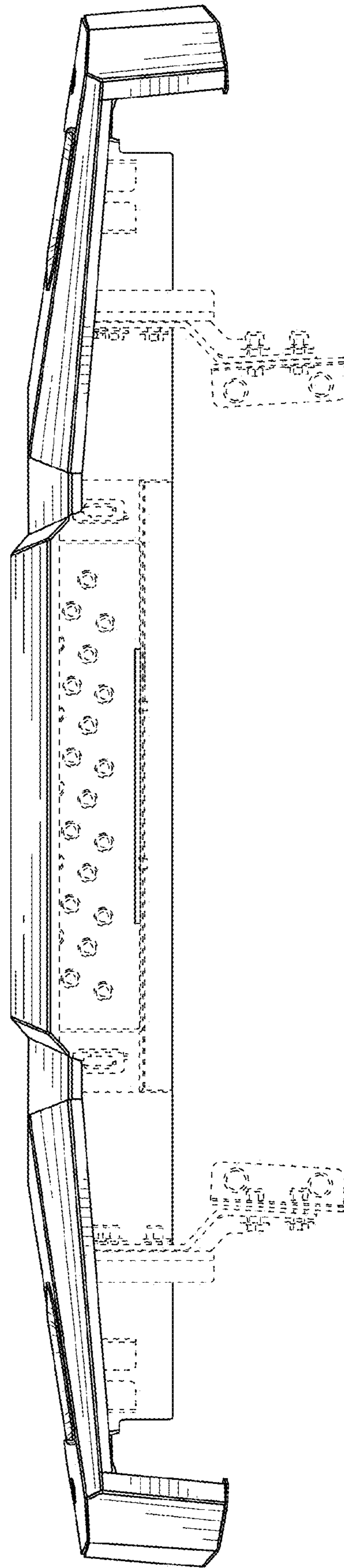


FIG. 3

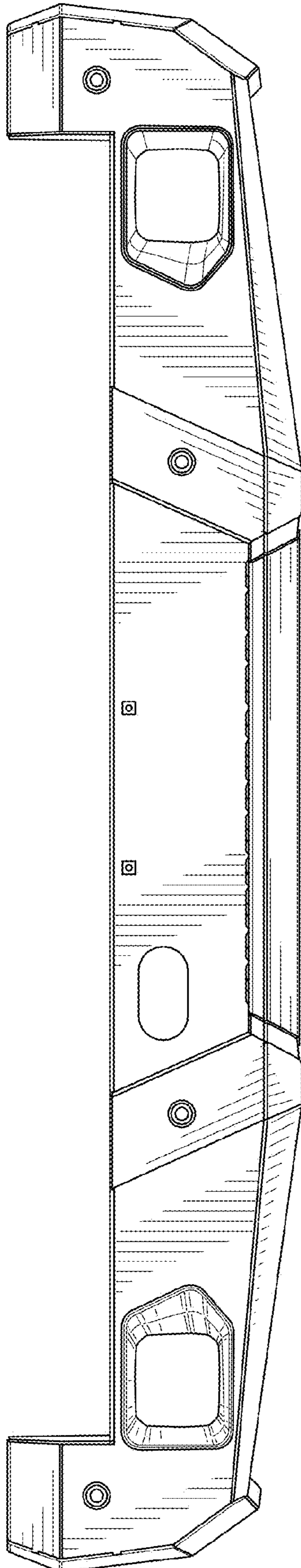


FIG. 4

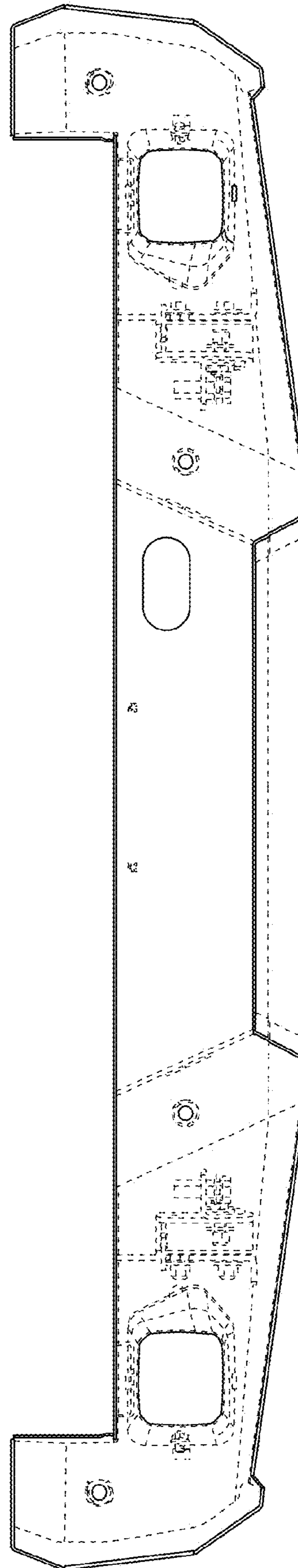


FIG. 5

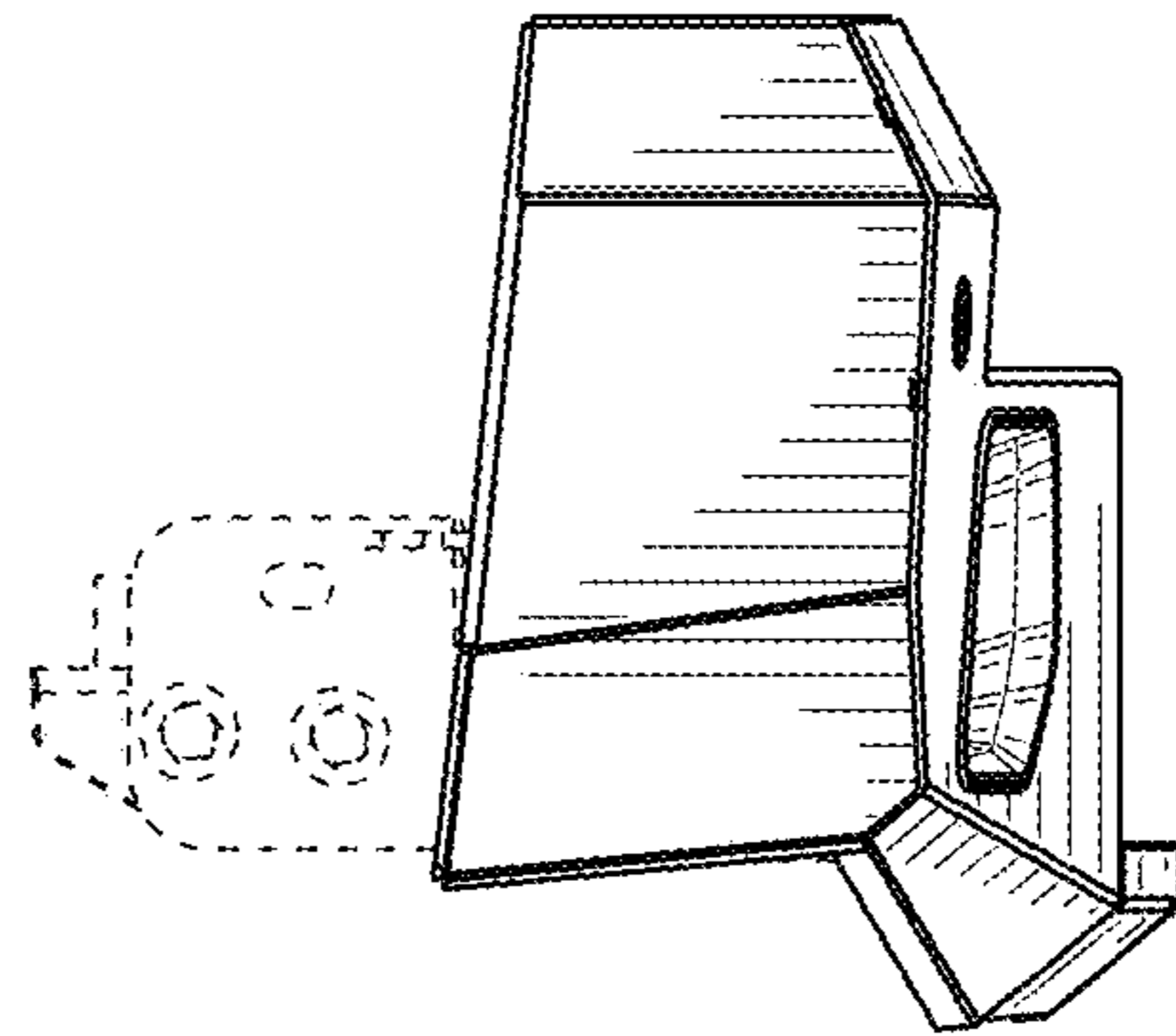


FIG. 6

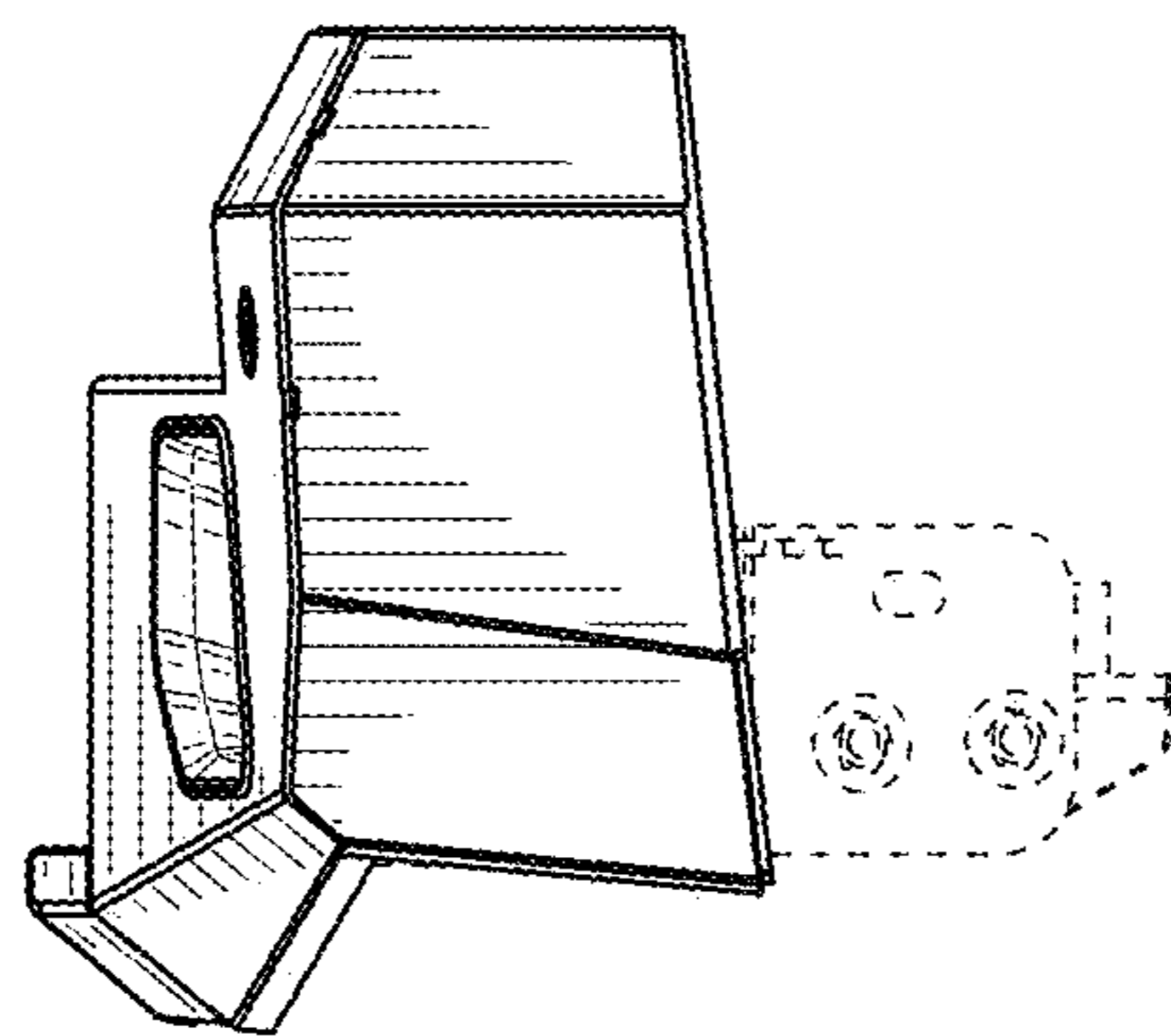


FIG. 7

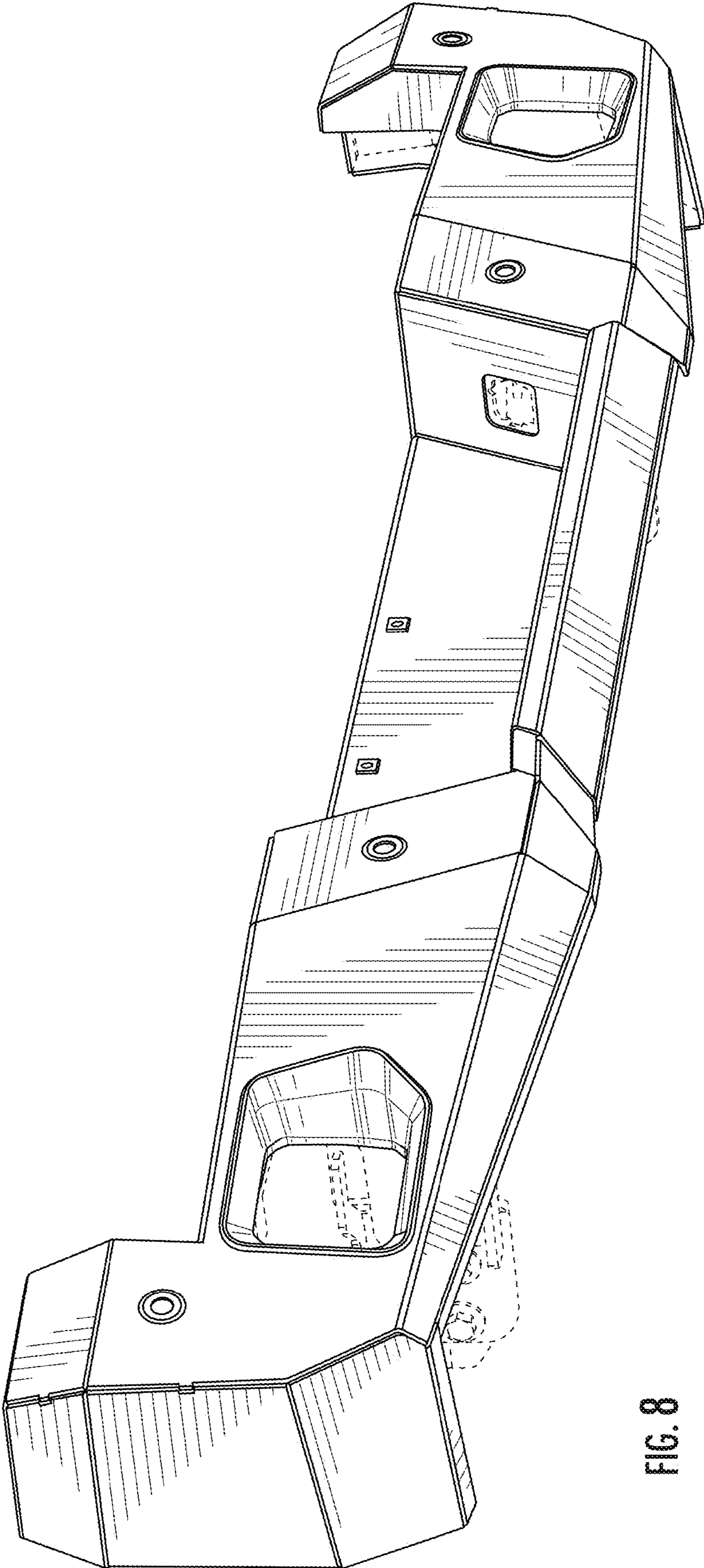


FIG. 8

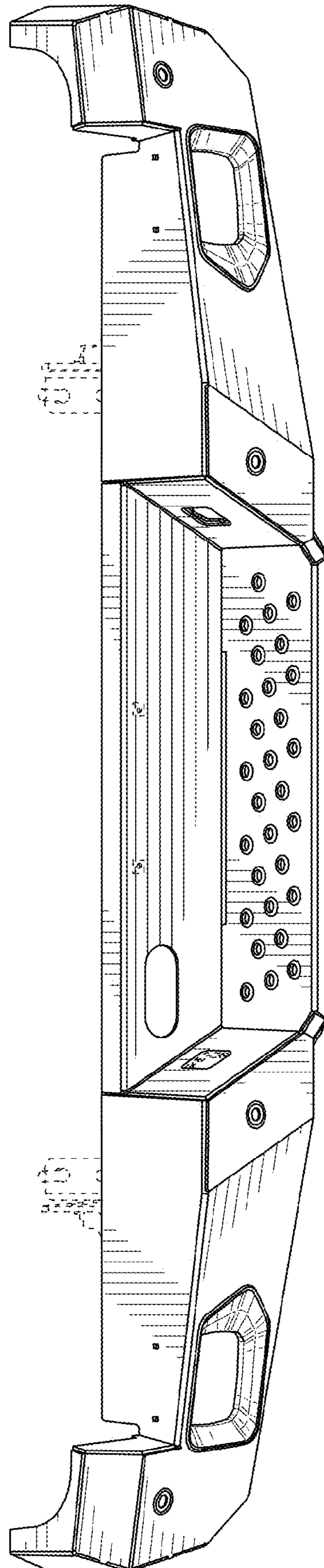


FIG. 9