



US00D936531S

(12) **United States Design Patent** (10) **Patent No.:** **US D936,531 S**  
**Nurnberger et al.** (45) **Date of Patent:** **\*\* Nov. 23, 2021**

(54) **GRILLE FOR AUTOMOBILE AND/OR REPLICAS THEREOF**  
(71) Applicant: **ASTON MARTIN LAGONDA LIMITED**, Warwick (GB)  
(72) Inventors: **Miles Nurnberger**, Warwick (GB); **Sam Holgate**, Warwick (GB)  
(73) Assignee: **ASTON MARTIN LAGONDA LIMITED**

D670,640 S 11/2012 Reichman et al.  
D687,348 S 8/2013 Nurnberger  
D689,812 S 9/2013 Reichman et al.  
D692,800 S 11/2013 Wiltshire  
D704,102 S 5/2014 Nurnberger  
D704,601 S 5/2014 Nurnberger  
D726,079 S 4/2015 Reichman et al.  
D727,804 S 4/2015 Nurnberger  
D730,777 S 6/2015 Nurnberger  
D739,789 S 9/2015 Payne  
D740,725 S 10/2015 Payne  
D758,247 S 6/2016 Nurnberger et al.  
D766,474 S 9/2016 Holgate et al.

(\*\*) Term: **15 Years**

(21) Appl. No.: **29/689,689**

(22) Filed: **May 1, 2019**

(30) **Foreign Application Priority Data**

Nov. 1, 2018 (EM) ..... 005815248

(51) **LOC (13) Cl.** ..... **12-16**

(52) **U.S. Cl.**  
USPC ..... **D12/163**

(58) **Field of Classification Search**  
USPC ..... D12/163, 196, 86, 90-92, 169, 190, 98,  
D12/164; 293/102, 113, 115, 117, 120,  
293/193.11; 296/180.1, 180.2; 180/68.1,  
180/68.6  
CPC ..... B60R 19/52; B60K 11/08; B62D 25/08;  
B62B 9/16

See application file for complete search history.

(56) **References Cited**

**U.S. PATENT DOCUMENTS**

D620,396 S 7/2010 Reichman et al.  
D626,466 S 11/2010 Reichman et al.  
D629,718 S 12/2010 Reichman et al.  
D629,719 S 12/2010 Reichman et al.  
D629,725 S 12/2010 Reichman et al.  
D630,140 S 1/2011 Reichman et al.

**OTHER PUBLICATIONS**

Aston Martin 2013, "Aston Martin Centenary Celebration Programme," 2013; 204 pages.

(Continued)

*Primary Examiner* — Melody N Brown

(74) *Attorney, Agent, or Firm* — Dorsey & Whitney LLP

(57) **CLAIM**

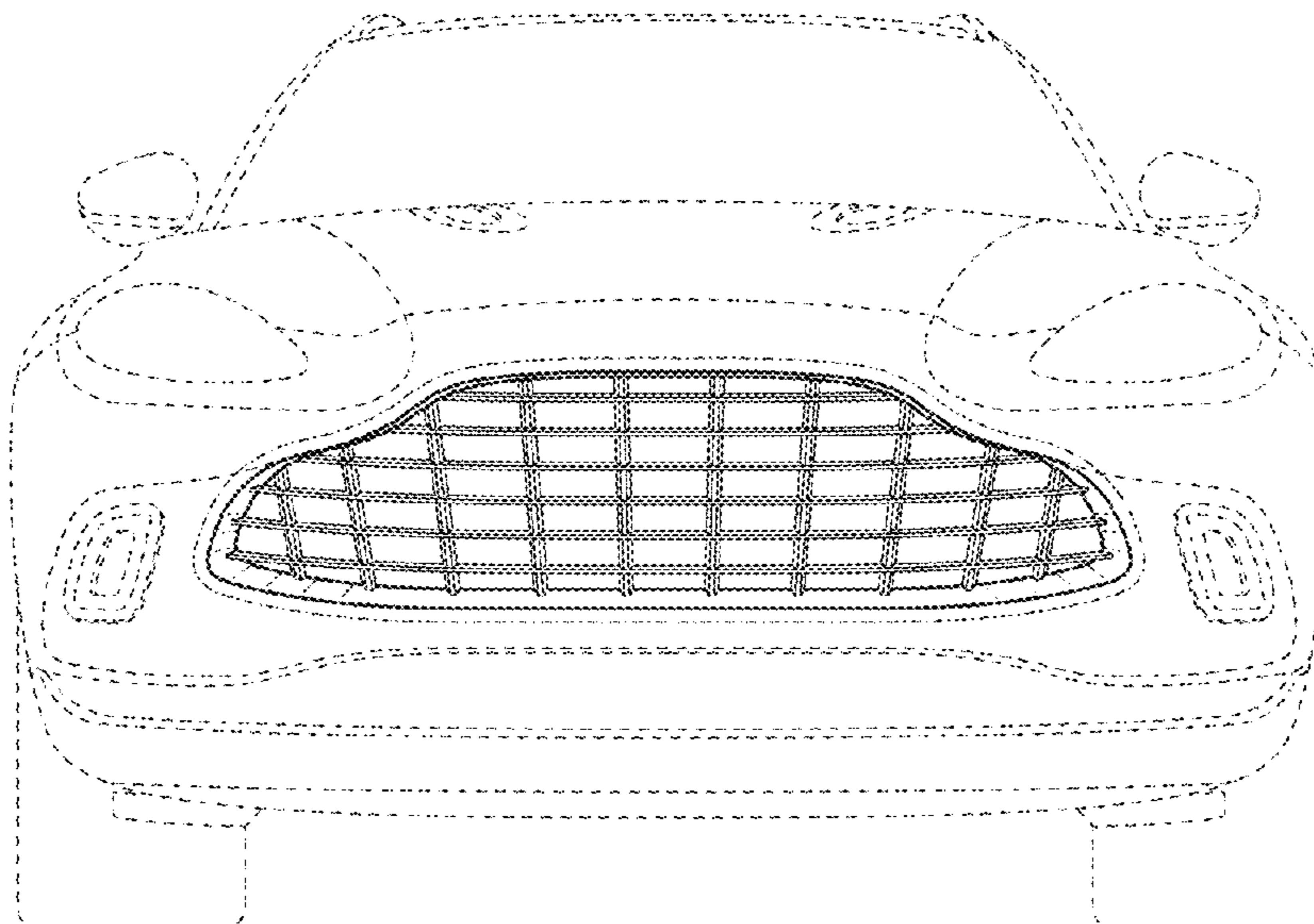
The ornamental design for a grille for automobile and/or replica thereof, as shown and described.

**DESCRIPTION**

FIG. 1 is a left side elevation view of a grille for automobile and/or replica thereof showing our new design; FIG. 2 is a right side elevation view thereof; FIG. 3 is a rear perspective view thereof; FIG. 4 is a top plan view thereof; FIG. 5 is a front elevation view thereof. FIG. 6 is a rear elevation view thereof; and, FIG. 7 is a front perspective view thereof.

The portions of the grille shown in broken lines are for environmental and illustrative purpose and form no part of the claimed design.

**1 Claim, 6 Drawing Sheets**



(56)

**References Cited**

U.S. PATENT DOCUMENTS

D772,128 S 11/2016 Platt  
D774,950 S 12/2016 Holgate et al.  
D774,995 S 12/2016 Holgate et al.  
D777,070 S 1/2017 Nurnberger  
D778,790 S 2/2017 Nurnberger  
D780,632 S 3/2017 Nurnberger  
D780,633 S 3/2017 Nurnberger et al.  
D780,634 S 3/2017 Nurnberger et al.  
D780,636 S 3/2017 Kahn  
D785,525 S 5/2017 Nurnberger  
D786,155 S 5/2017 Holgate et al.  
D786,744 S 5/2017 Nurnberger et al.  
D796,404 S 9/2017 Nurnberger  
D800,619 S 10/2017 Platt  
D801,558 S 10/2017 Nurnberger et al.  
D815,995 S 4/2018 Nurnberger et al.  
D817,814 S 5/2018 Nurnberger et al.  
D820,164 S 6/2018 Nurnberger et al.  
D824,814 S \* 8/2018 Heyde ..... D12/163  
D825,387 S 8/2018 Nurnberger et al.

D826,106 S 8/2018 Kahn  
D827,166 S 8/2018 Nurnberger et al.  
D827,410 S 9/2018 Earley  
D827,411 S 9/2018 Earley  
D827,507 S 9/2018 Nurnberger et al.  
D830,917 S 10/2018 Nurnberger et al.  
D833,187 S 11/2018 Earley  
D835,548 S 12/2018 Nurnberger et al.  
D838,017 S 1/2019 Nurnberger et al.  
D838,018 S 1/2019 Nurnberger et al.  
D840,873 S 2/2019 Nurnberger et al.  
D841,847 S 2/2019 Re et al.  
D842,799 S 3/2019 Nurnberger et al.  
D848,331 S 5/2019 Nurnberger et al.  
D849,616 S 5/2019 Nurnberger et al.

OTHER PUBLICATIONS

1976 and 1987 Aston Martin Lagonda, [online], [site visited Jul. 24, 2014], Available from Internet, <URL: <http://www.astonmartin.com/heritage/past-models/lagonda>>, 2 pages.

\* cited by examiner

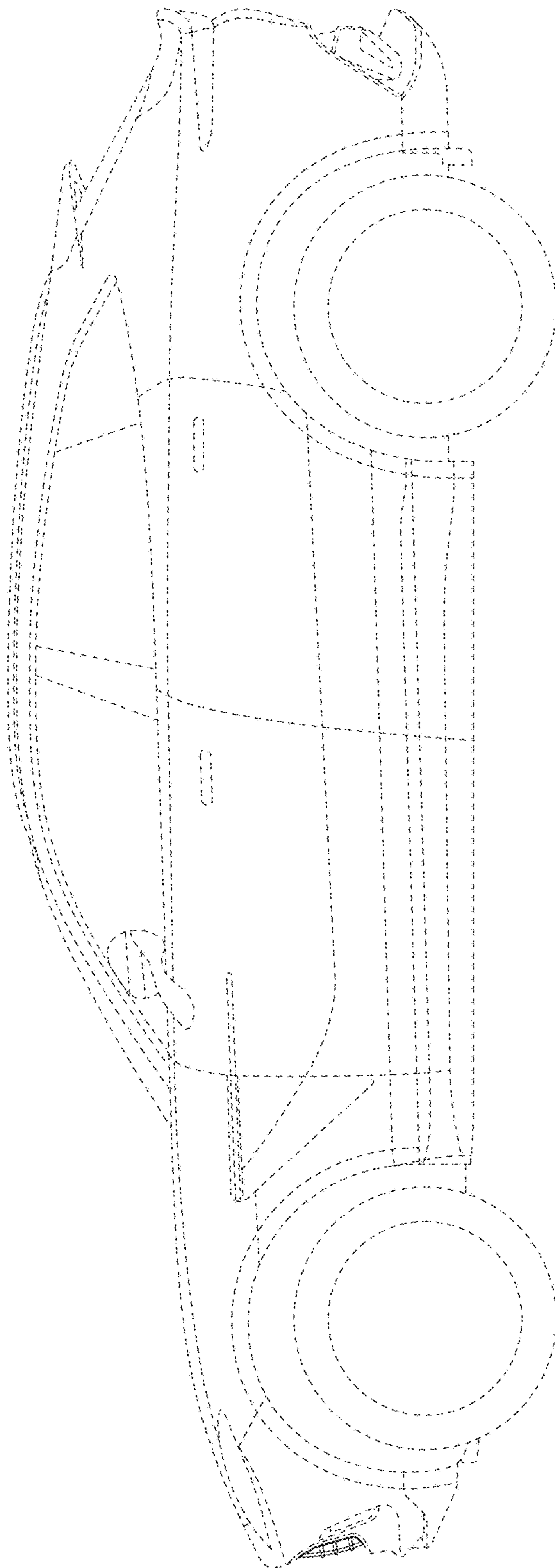


Fig. 1

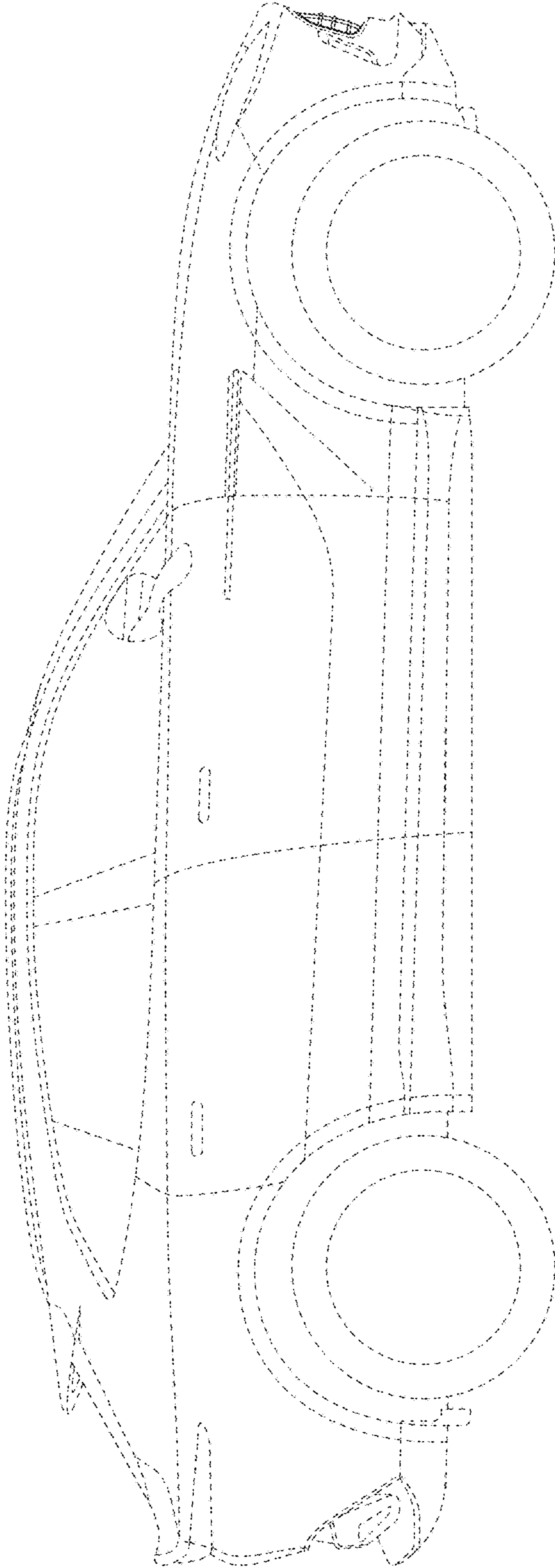


Fig. 2

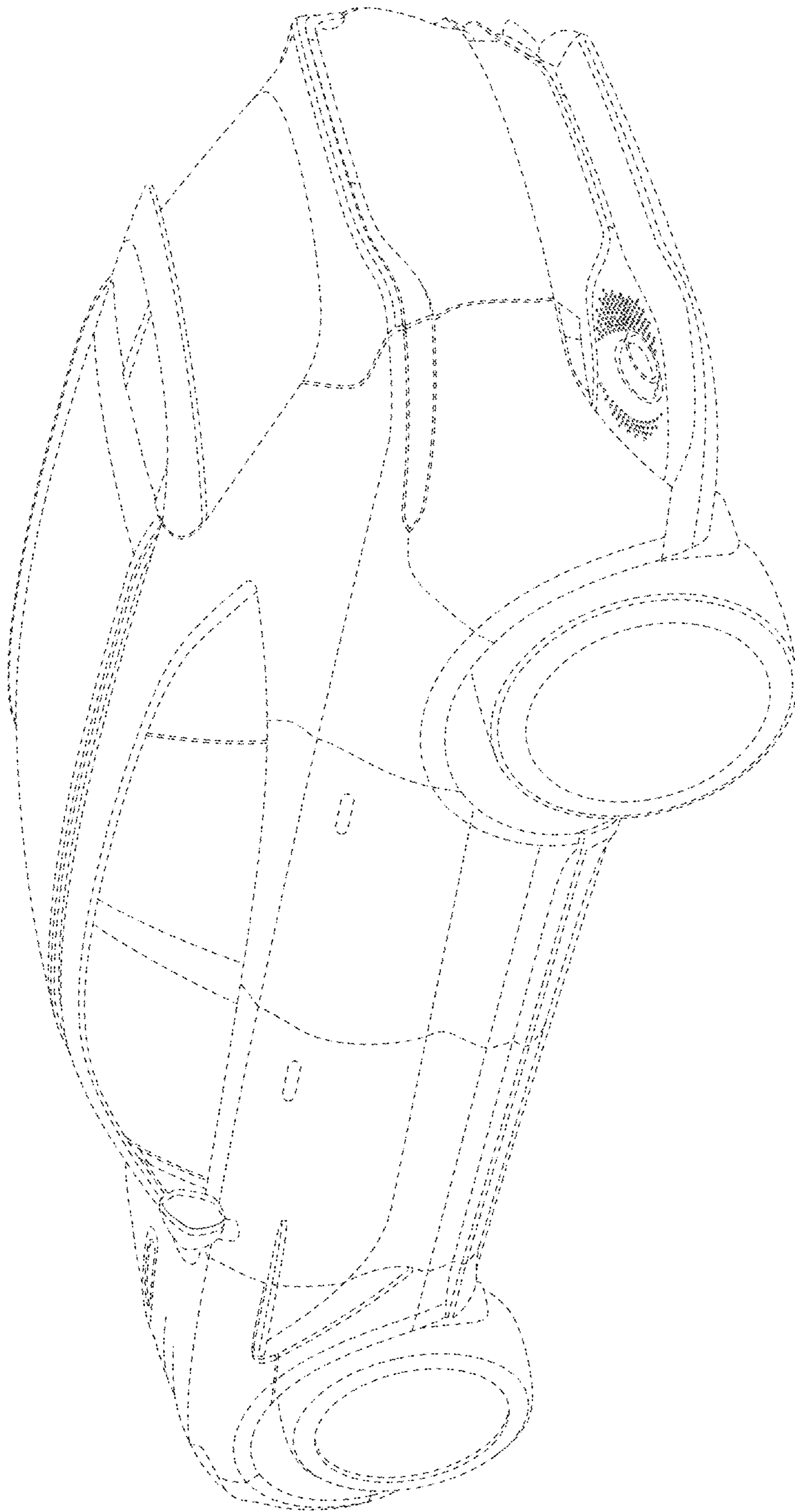


Fig. 3

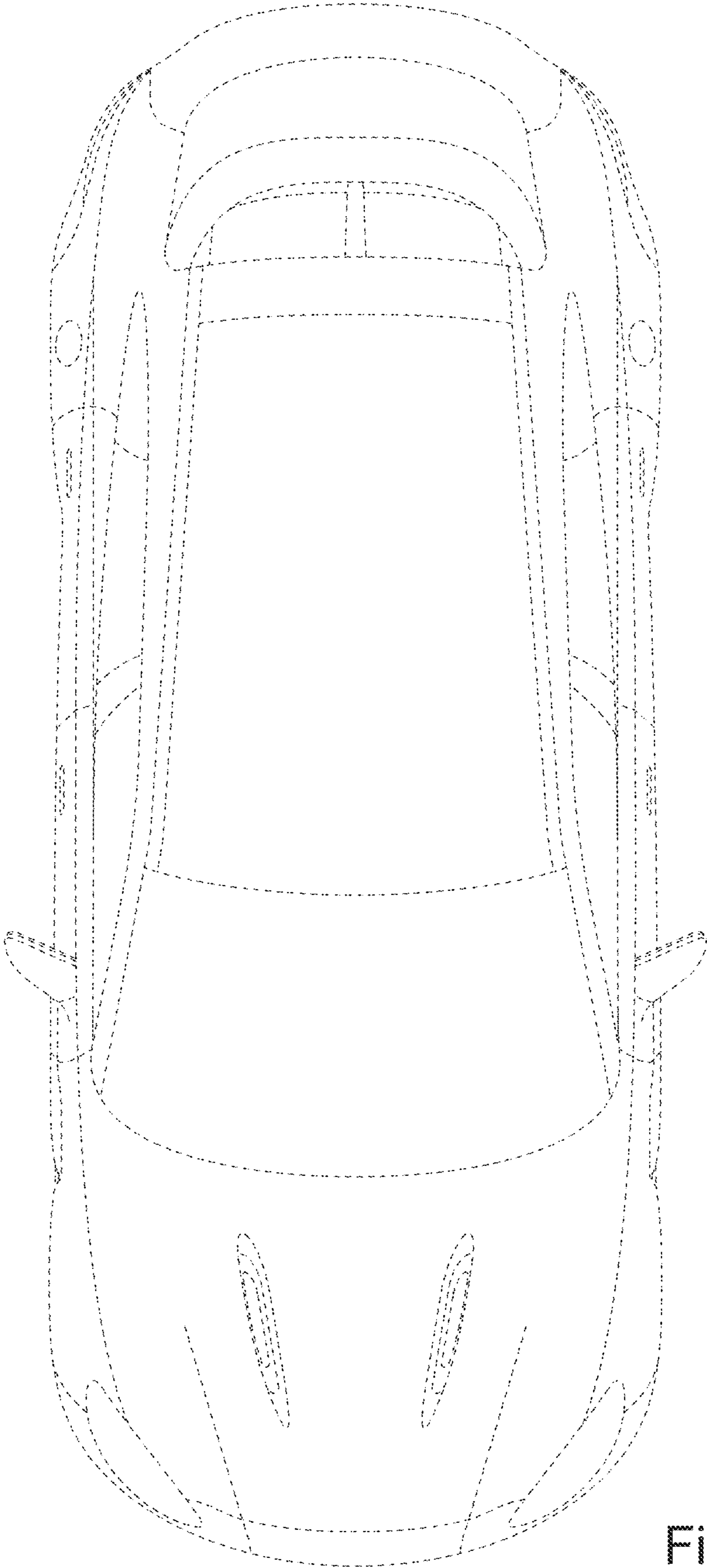


Fig. 4

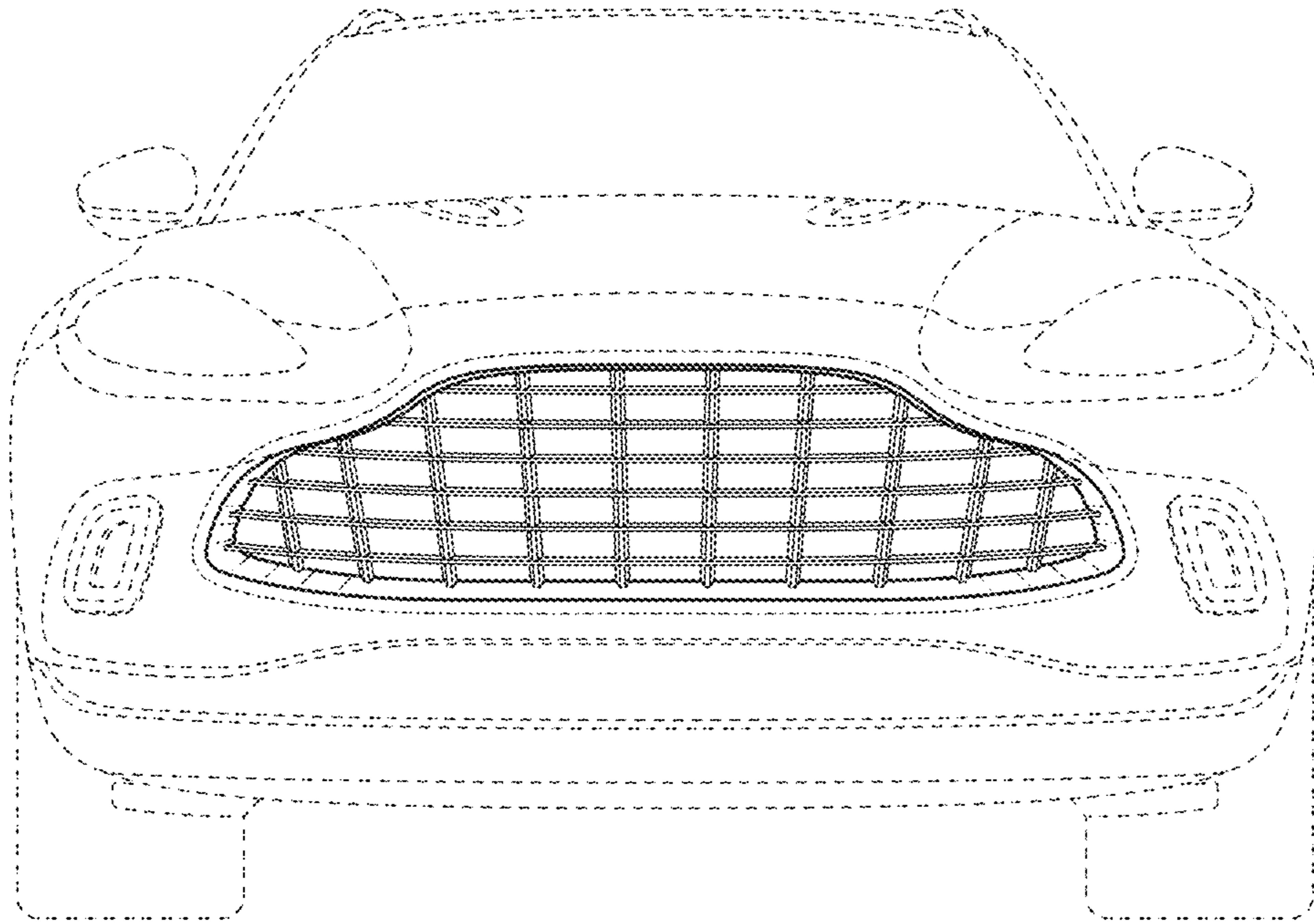


Fig. 5

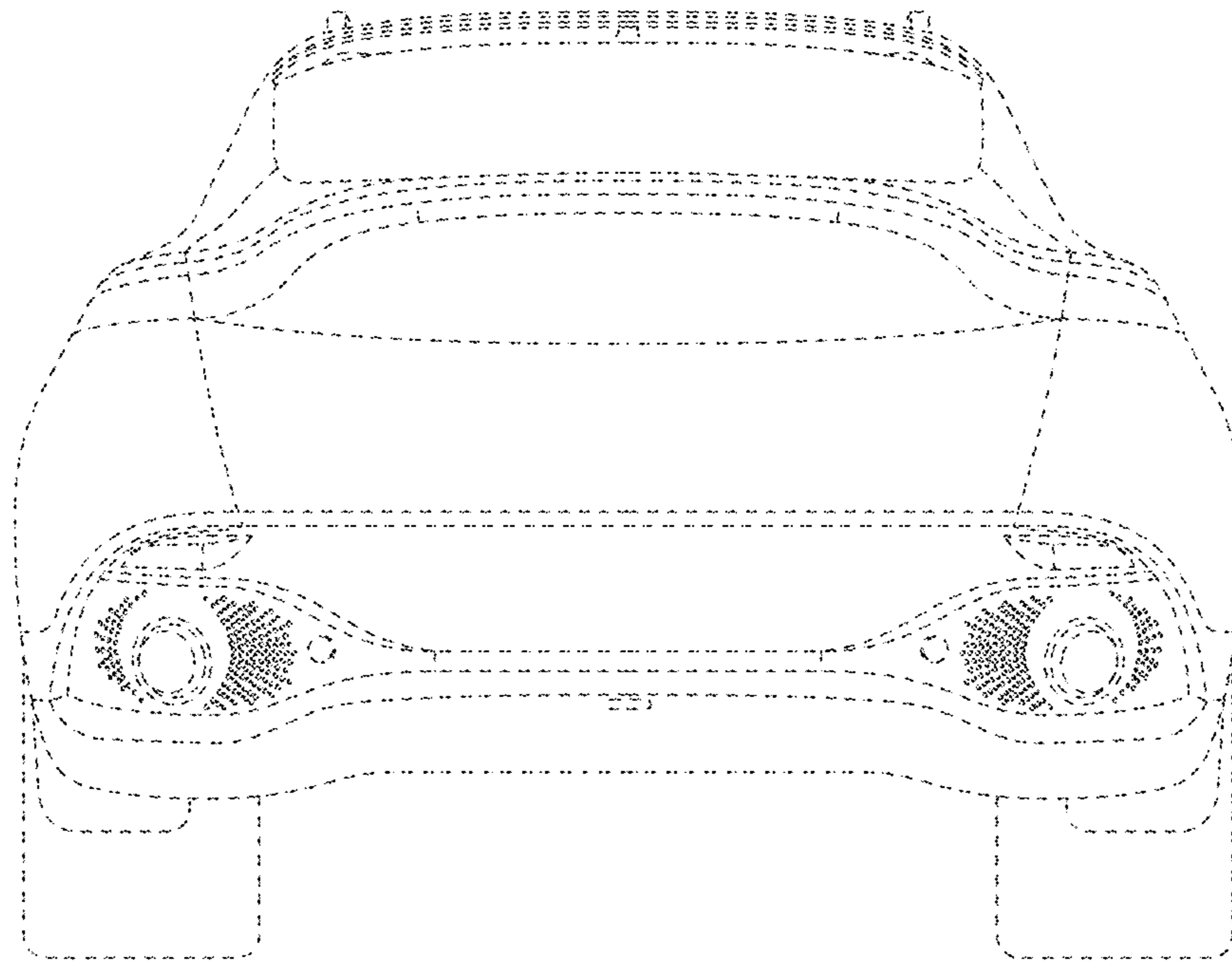


Fig. 6

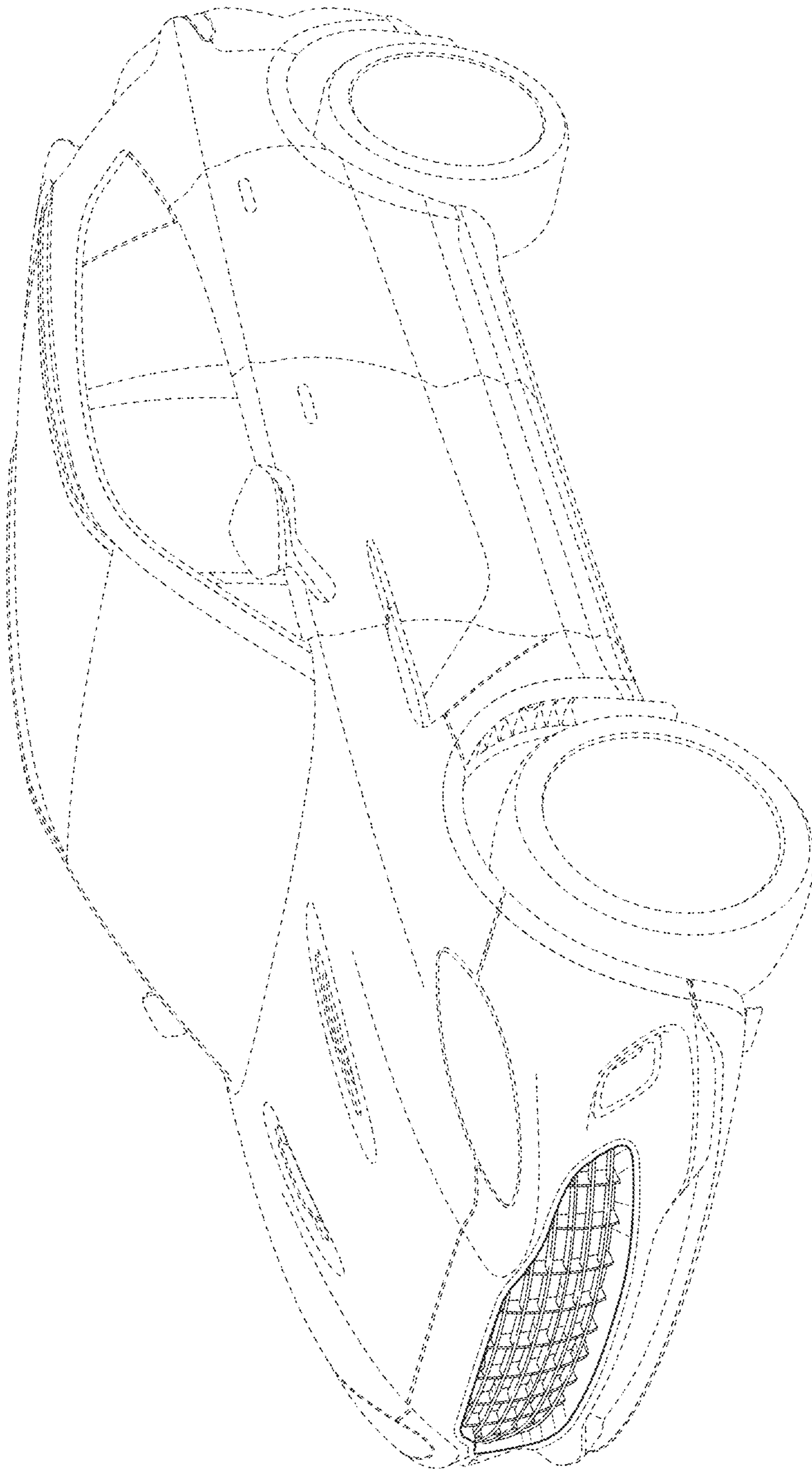


FIG. 7