



US00D936530S

(12) **United States Design Patent** (10) **Patent No.:** **US D936,530 S**
Kim et al. (45) **Date of Patent:** **** Nov. 23, 2021**

(54) **VEHICLE FRONT UPPER GRILLE**
 (71) Applicant: **Ford Global Technologies, LLC**,
 Dearborn, MI (US)
 (72) Inventors: **Soohyoung Kim**, Northville, MI (US);
Thomas Marminc, Ferndale, MI (US);
Damon G. Depeyster, Northville, MI
 (US); **Gordon M. Platto**, Troy, MI
 (US)

D754,038 S 4/2016 Berner et al.
 D805,005 S * 12/2017 Tomita D12/163
 D814,982 S * 4/2018 Whitla D12/163
 D817,233 S * 5/2018 Bucher D12/163
 D817,234 S * 5/2018 Park D12/163
 D818,885 S * 5/2018 Seo D12/163
 D819,504 S * 6/2018 Lalo D12/163
 D819,509 S * 6/2018 Tanaka D12/163
 9,988,006 B2 * 6/2018 Aizawa B60R 19/18
 10,077,503 B2 * 9/2018 Hashimoto B60K 11/08

* cited by examiner

(73) Assignee: **Ford Global Technologies, LLC**,
 Dearborn, MI (US)

Primary Examiner — Manpreet S Matharu
Assistant Examiner — Yolanda Robinson

(**) Term: **15 Years**

(57) **CLAIM**

The ornamental design for a vehicle front upper grille, as shown and described.

(21) Appl. No.: **29/650,687**

DESCRIPTION

(22) Filed: **Jun. 8, 2018**

(51) **LOC (13) Cl.** **12-16**

(52) **U.S. Cl.**
 USPC **D12/163**

(58) **Field of Classification Search**
 USPC D12/163, 86, 90, 91, 92, 171, 196, 216;
 D15/31; 293/113, 115, 117, 120
 CPC . B60R 19/52; B60R 2019/525; B62D 25/084;
 H01Q 1/32; B60K 11/085
 See application file for complete search history.

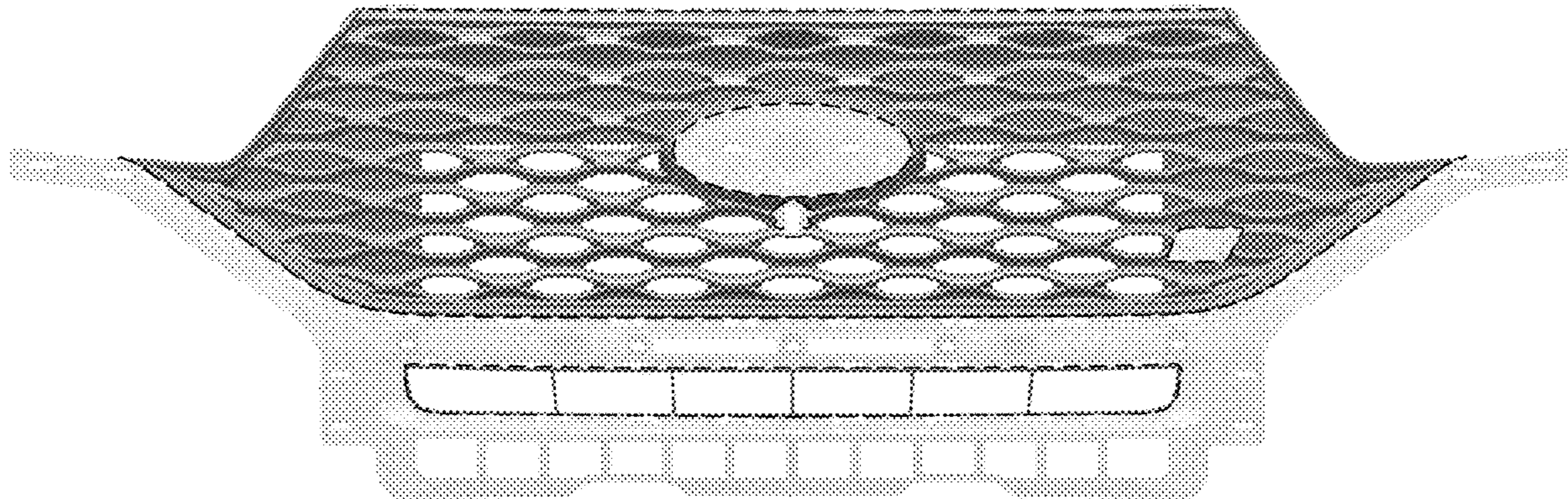
FIG. 1 is a front elevational view of a vehicle front upper grille, showing our new design;
 FIG. 2 is a left side elevational view thereof;
 FIG. 3 is a right side elevational view thereof;
 FIG. 4 is a top plan view thereof;
 FIG. 5 is a bottom plan view thereof;
 FIG. 6 is a top, front and left side perspective view thereof;
 and,
 FIG. 7 is a bottom, front and left side perspective view thereof.
 The broken lines depict boundaries of the claim and form no part thereof.
 The portions of the vehicle front upper grille shown in the half tone form no part of the claimed design.

(56) **References Cited**

U.S. PATENT DOCUMENTS

D610,495 S 2/2010 Bucher et al.
 D691,929 S 10/2013 Betancourt et al.
 D753,555 S 4/2016 Behmer et al.

1 Claim, 7 Drawing Sheets



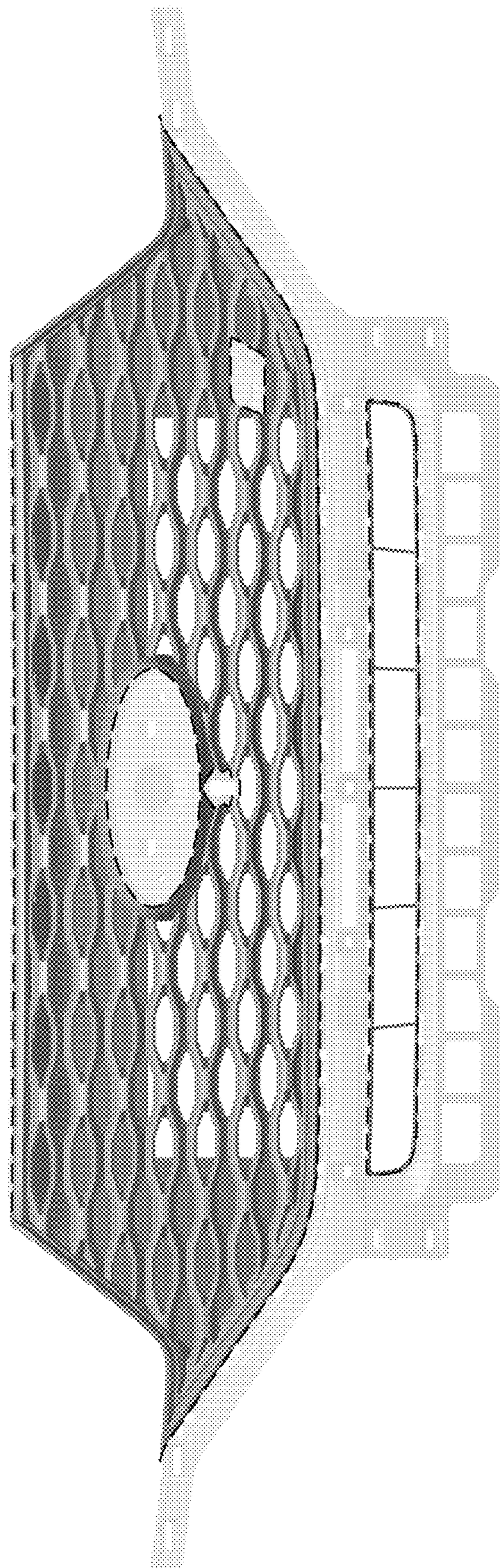


Fig. 1

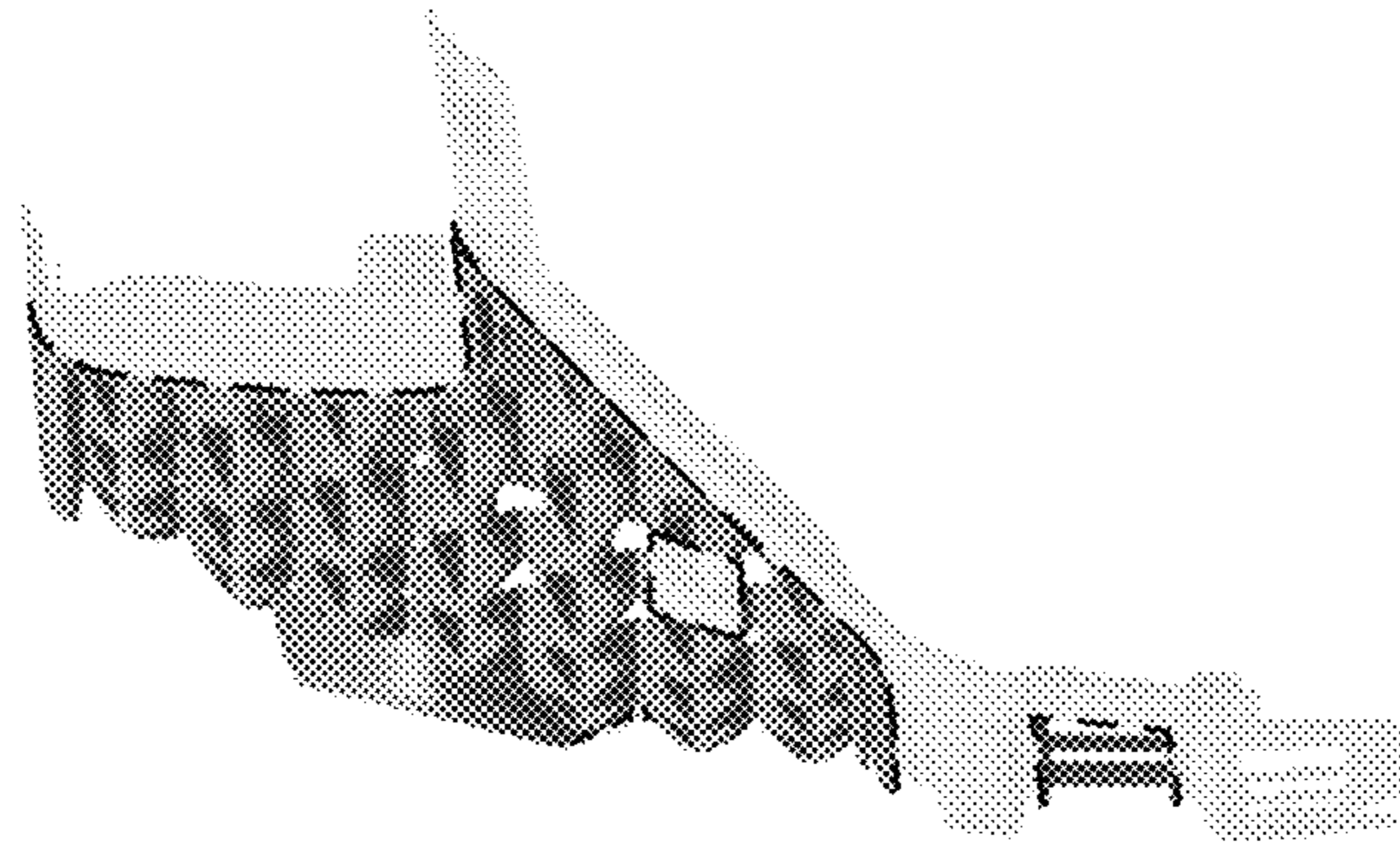


Fig. 2

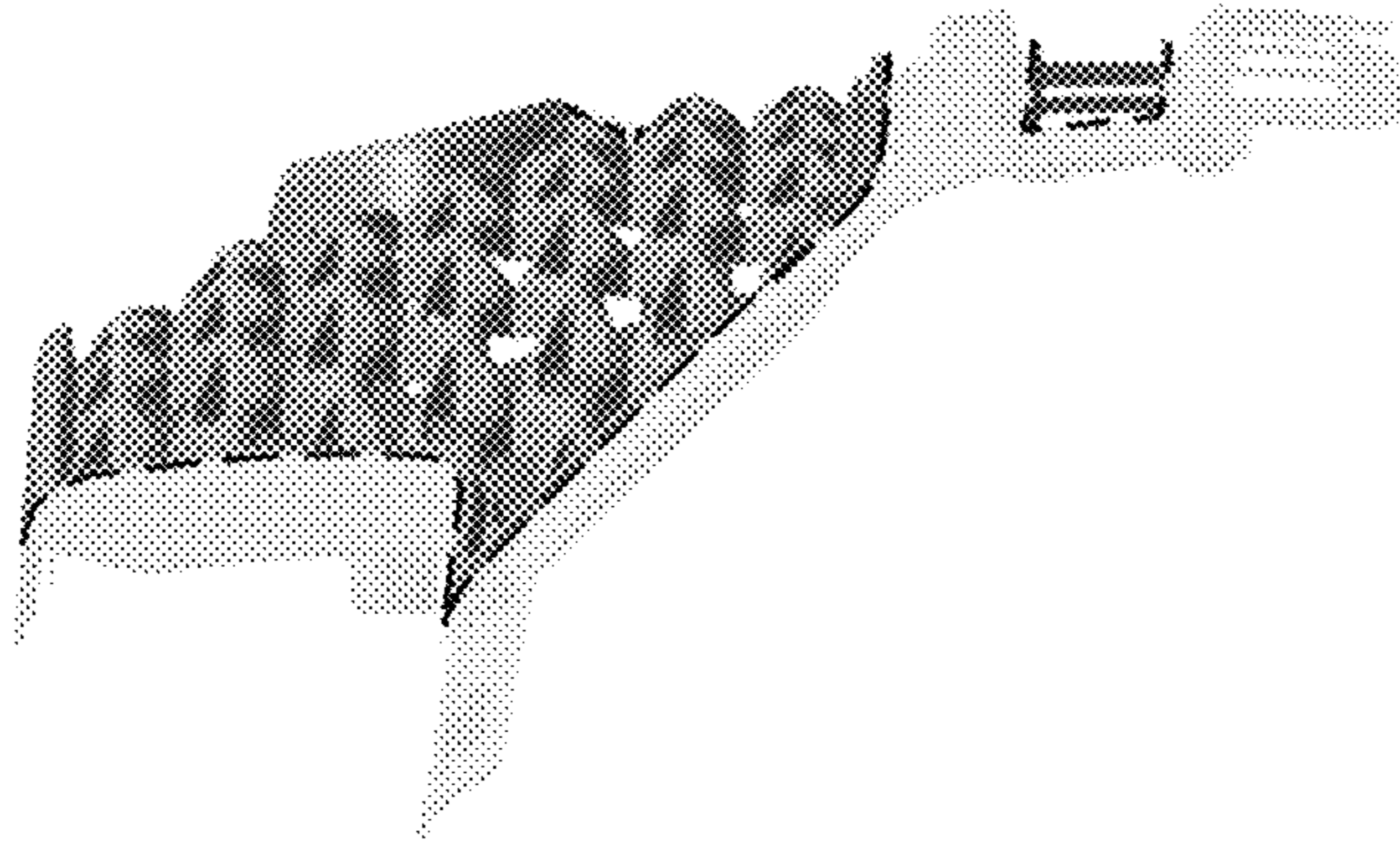


Fig. 3

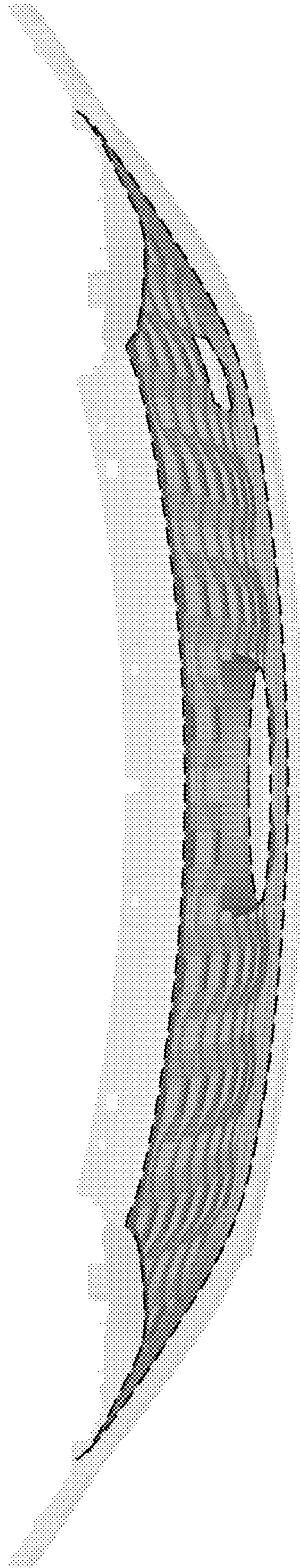
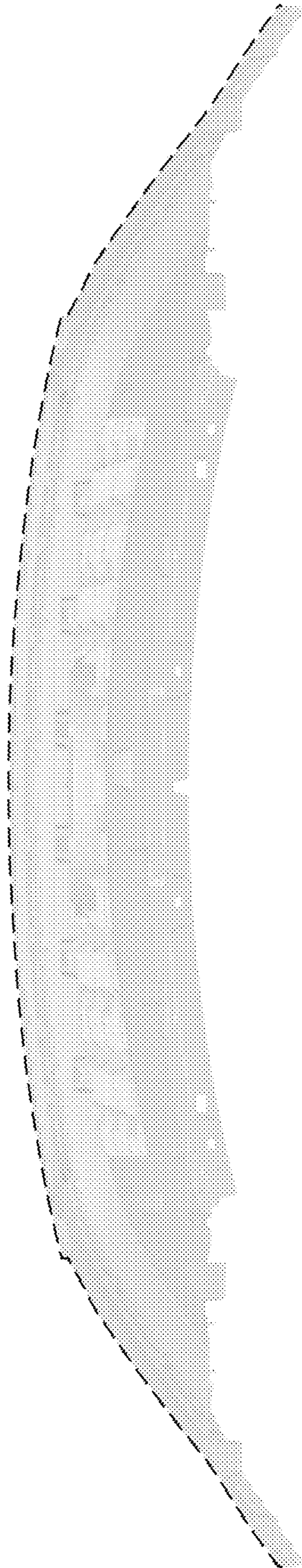


Fig. 4

Fig. 5



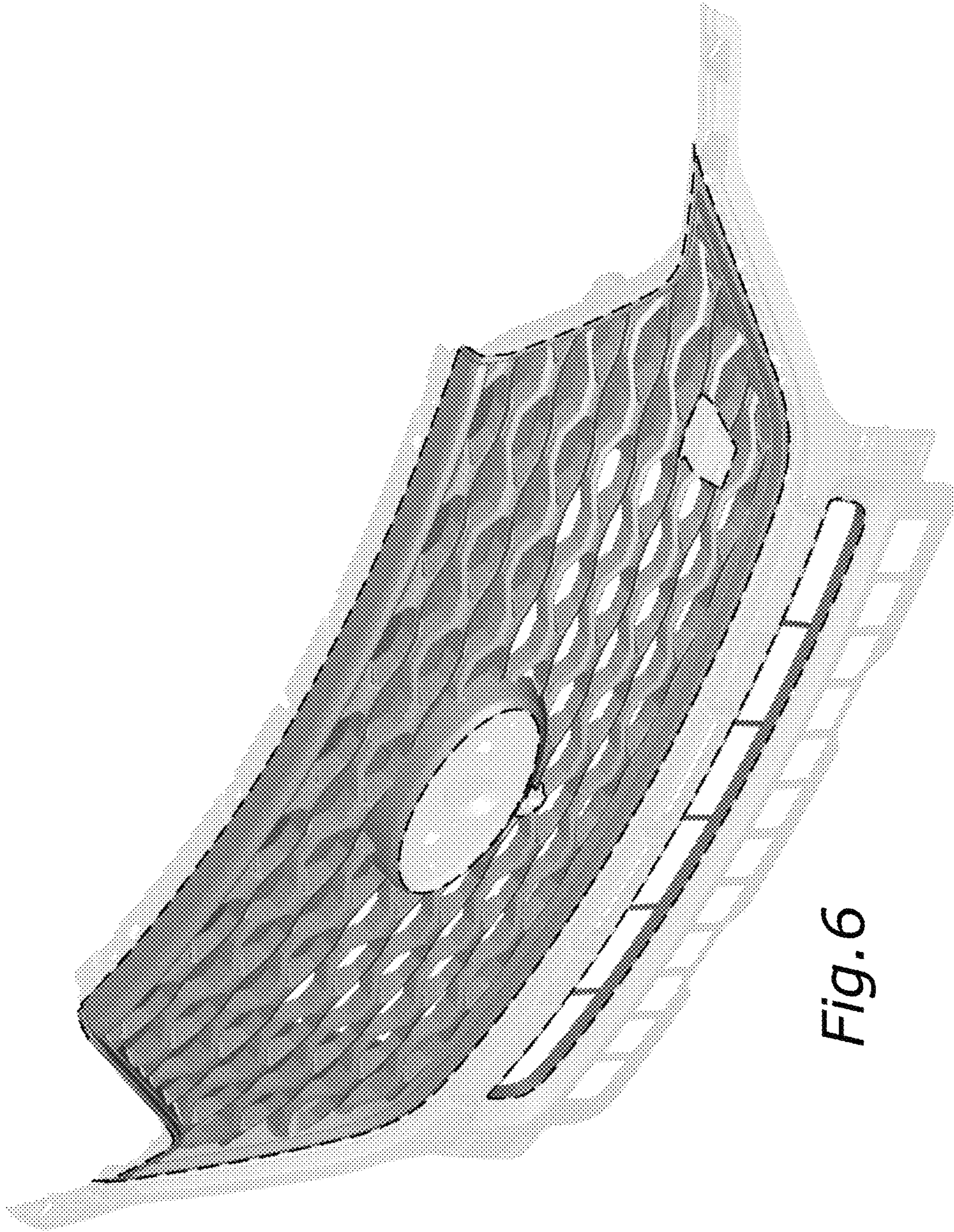


Fig. 6

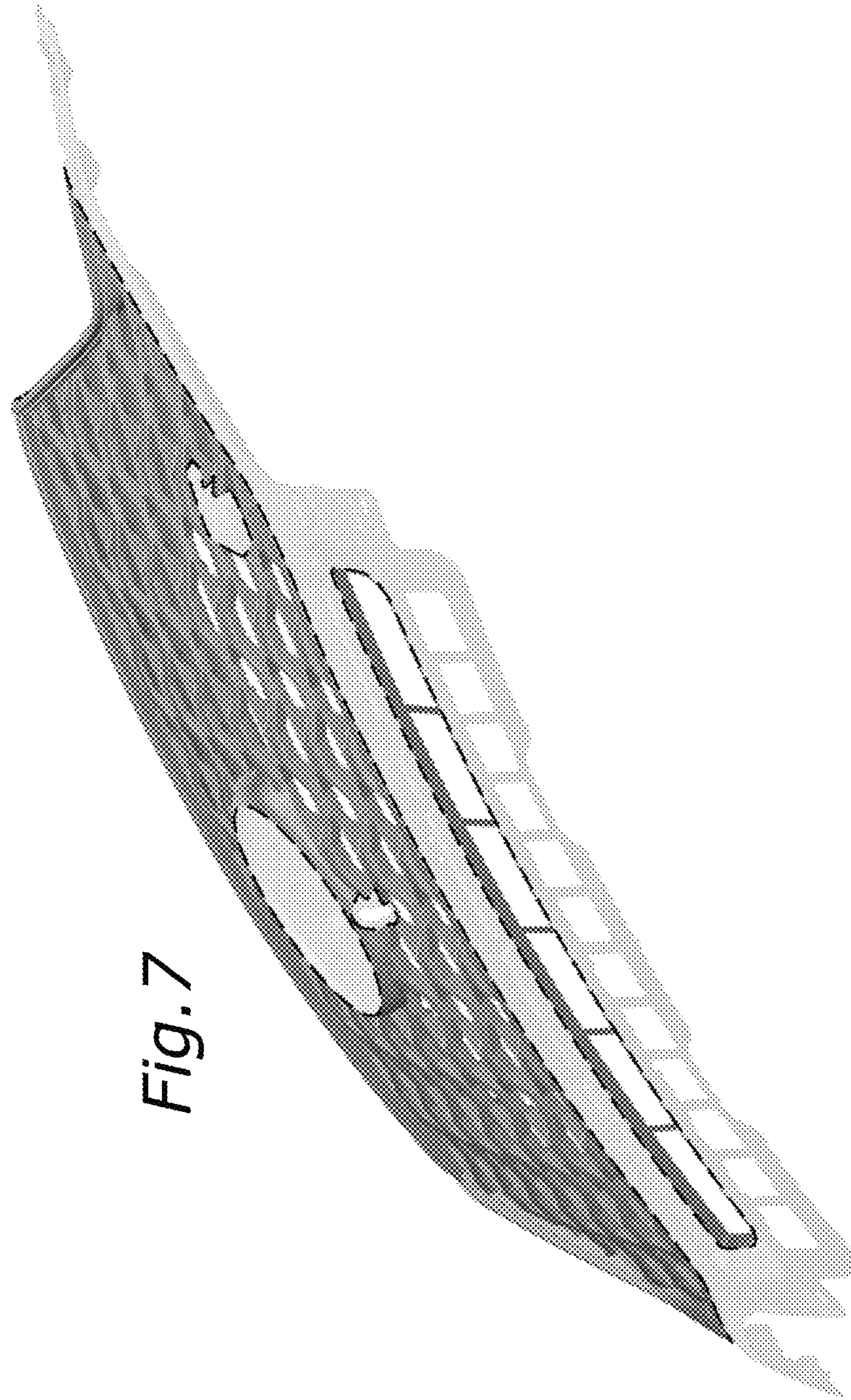


Fig. 7