



US00D936529S

(12) **United States Design Patent**  
**Tang et al.**

(10) **Patent No.:** **US D936,529 S**

(45) **Date of Patent:** **\*\* Nov. 23, 2021**

(54) **FRONT AIR GRILLE**

(71) Applicant: **BYD COMPANY LIMITED,**  
Guangdong (CN)

(72) Inventors: **Wenquan Tang,** Shenzhen (CN); **Jihan Fan,** Shenzhen (CN); **Pengfei Li,** Shenzhen (CN)

(73) Assignee: **BYD COMPANY LIMITED,**  
Shenzhen (CN)

(\*\*) Term: **15 Years**

(21) Appl. No.: **29/641,900**

(22) Filed: **Mar. 26, 2018**

(30) **Foreign Application Priority Data**

Sep. 26, 2017 (CN) ..... 201730457815.7

(51) **LOC (13) Cl.** ..... **12-16**

(52) **U.S. Cl.**  
USPC ..... **D12/163**

(58) **Field of Classification Search**  
USPC ..... D12/163, 86, 90, 91, 92, 169, 171, 196,  
D12/216; D15/31  
CPC . B60R 19/52; B60R 2019/525; B60K 11/085;  
B62D 25/084; H01Q 1/32  
See application file for complete search history.

(56) **References Cited**

**U.S. PATENT DOCUMENTS**

D679,635 S \* 4/2013 Sugimoto ..... D12/164  
D705,705 S \* 5/2014 Matsumoto ..... D12/169

D706,180 S \* 6/2014 Sakae ..... D12/164  
D737,737 S \* 9/2015 Kim ..... D12/169  
D751,957 S \* 3/2016 Tomatsu ..... D12/169  
D784,214 S \* 4/2017 Kanasugi ..... D12/169  
D800,032 S \* 10/2017 Yokoi ..... D12/169  
D807,238 S \* 1/2018 Komuro ..... D12/163  
D819,532 S \* 6/2018 Lian ..... D12/190  
D839,151 S \* 1/2019 Cartabiano ..... D12/169  
D842,775 S \* 3/2019 Lee ..... D12/169  
2018/0119304 A1 \* 5/2018 Kim ..... B60R 19/52

\* cited by examiner

*Primary Examiner* — Manpreet S Matharu

*Assistant Examiner* — Yolanda Robinson

(74) *Attorney, Agent, or Firm* — Calfee Halter & Griswold LLP

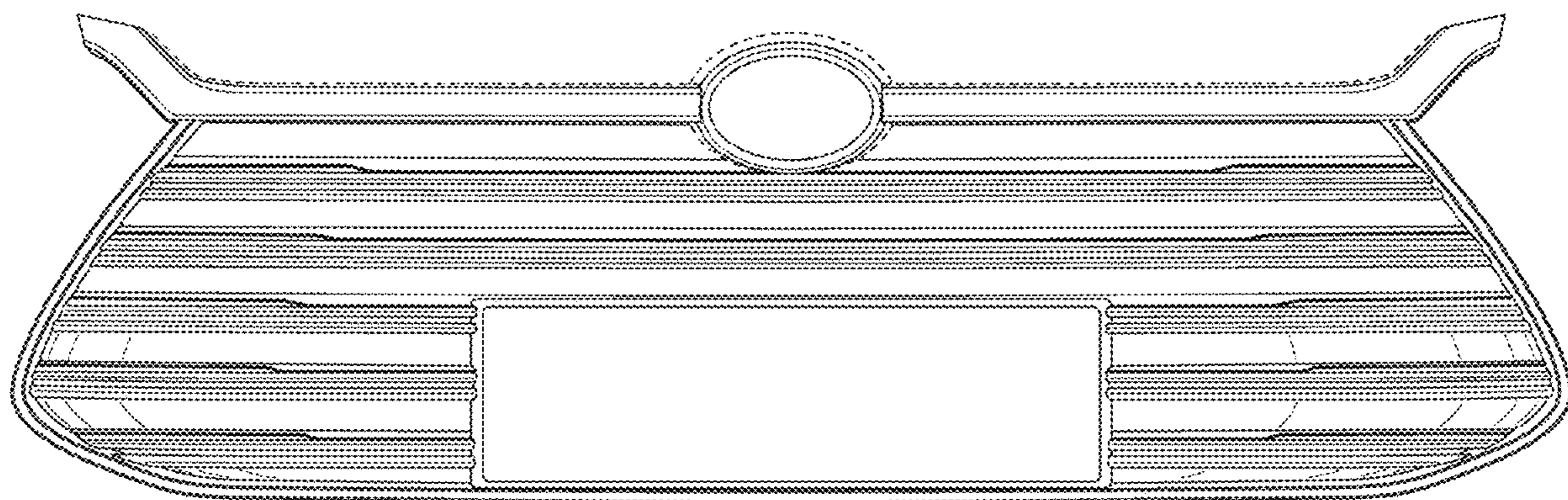
(57) **CLAIM**

We claim the ornamental design for a front air grille, as shown and described.

**DESCRIPTION**

FIG. 1 is a front elevational view of a front air grille of the present design;  
FIG. 2 is a right side elevational view thereof;  
FIG. 3 is a left side elevational view thereof;  
FIG. 4 is a top plan view thereof;  
FIG. 5 is a bottom plan view thereof;  
FIG. 6 is a top/front/left perspective view thereof; and,  
FIG. 7 is a top/front/left perspective view thereof.  
The broken lines shown in the front air grille are for portions that form no part of the claimed design.

**1 Claim, 4 Drawing Sheets**



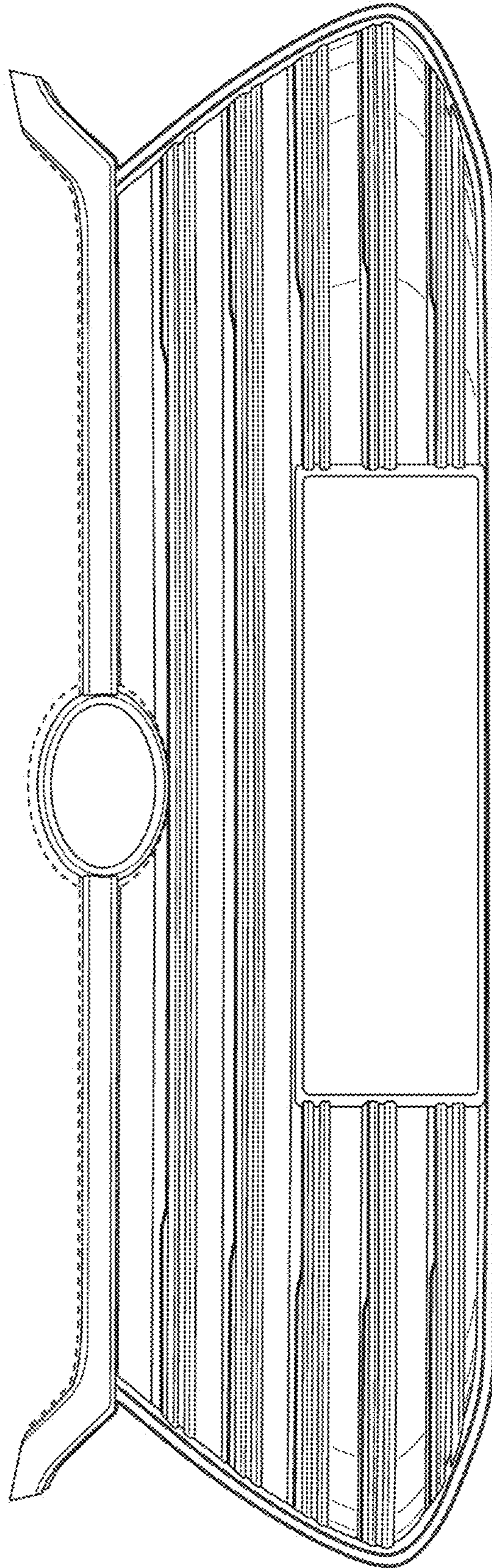


FIG. 1

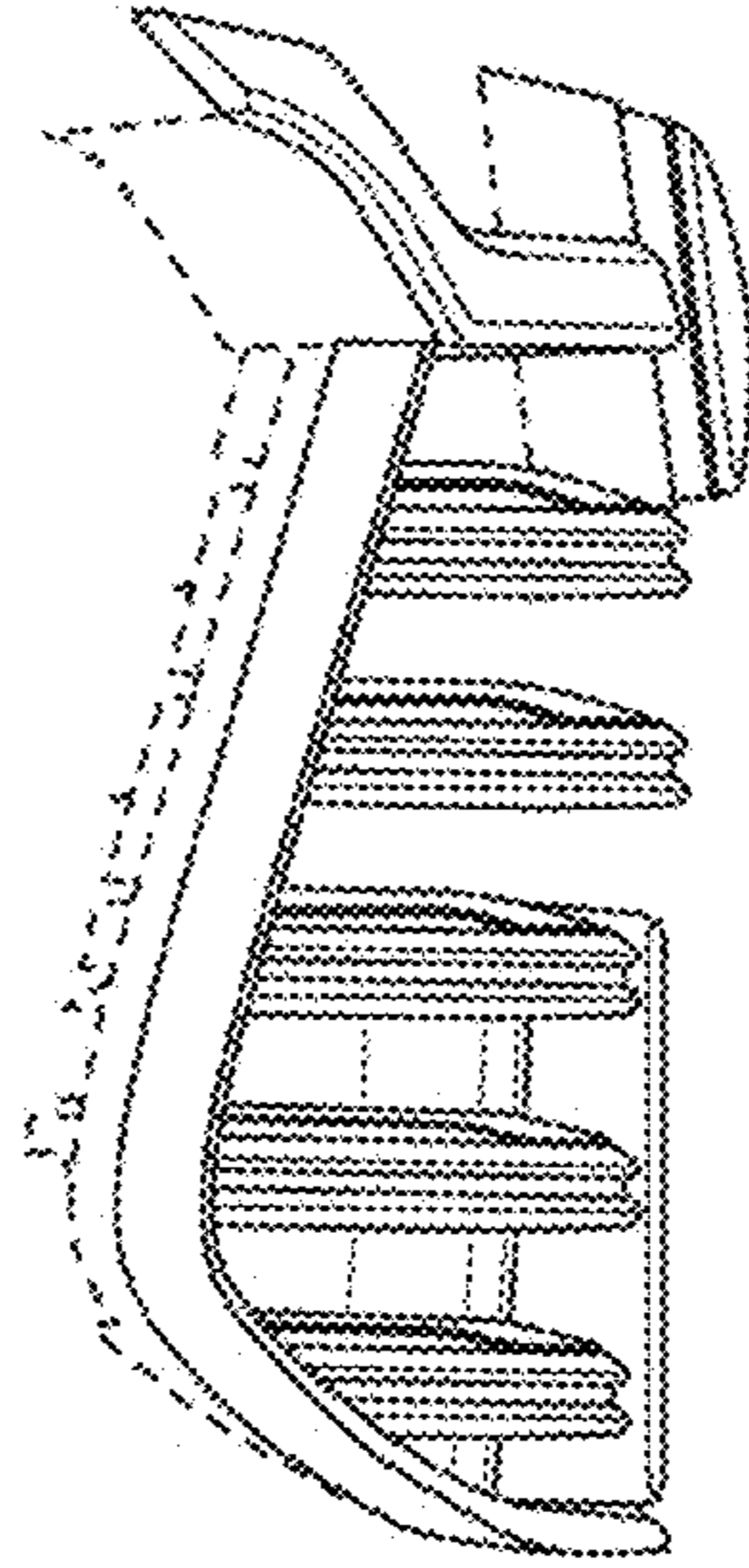


FIG. 2

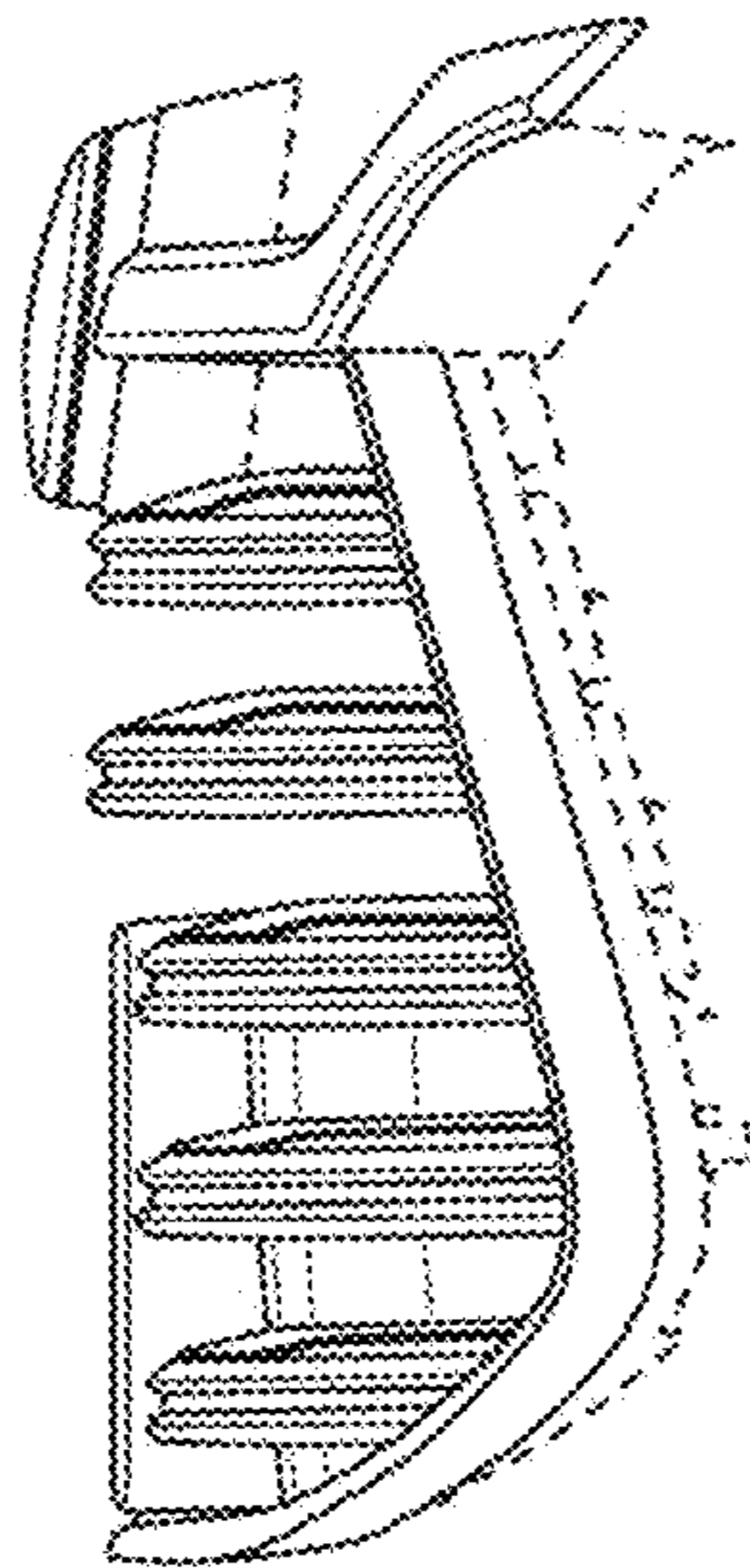


FIG. 3

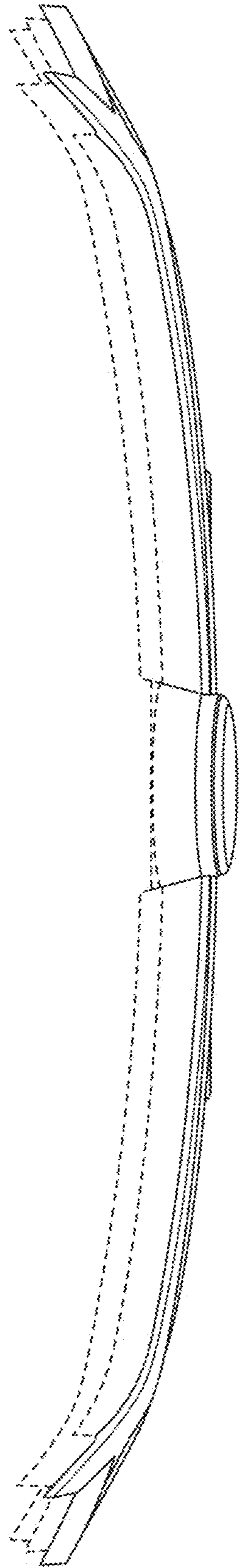


FIG. 4

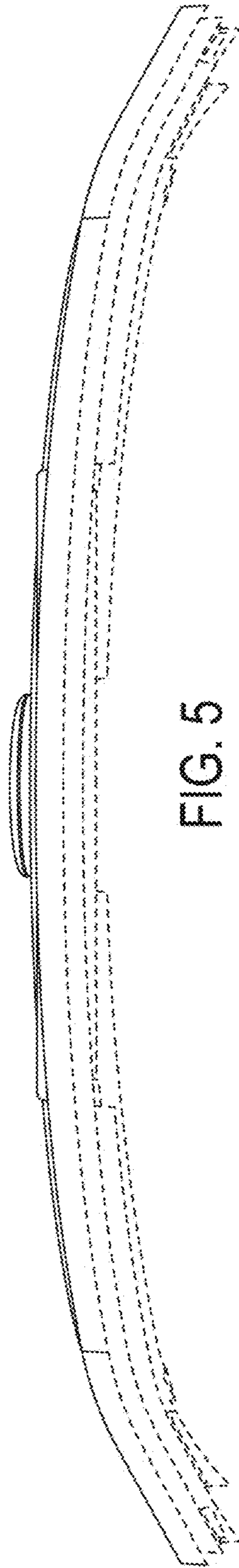


FIG. 5

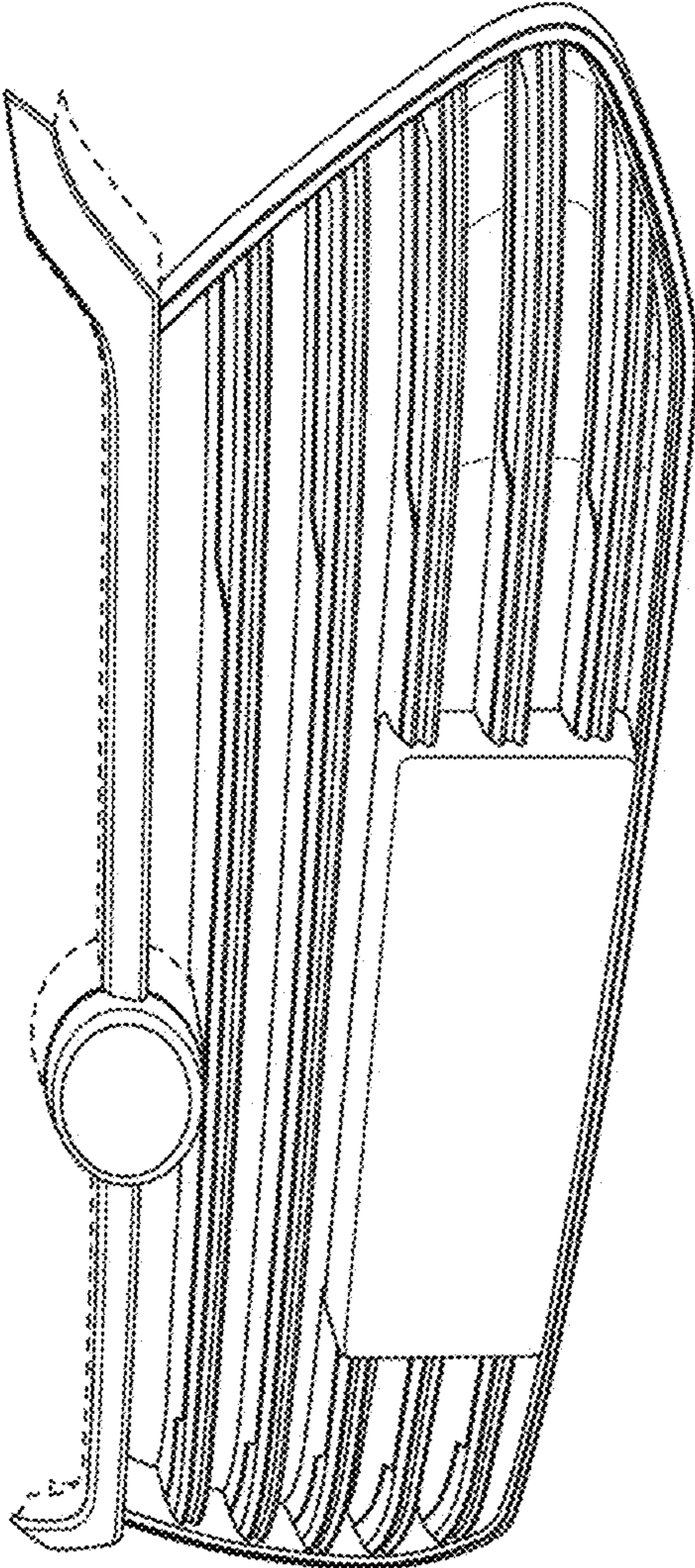


FIG. 6

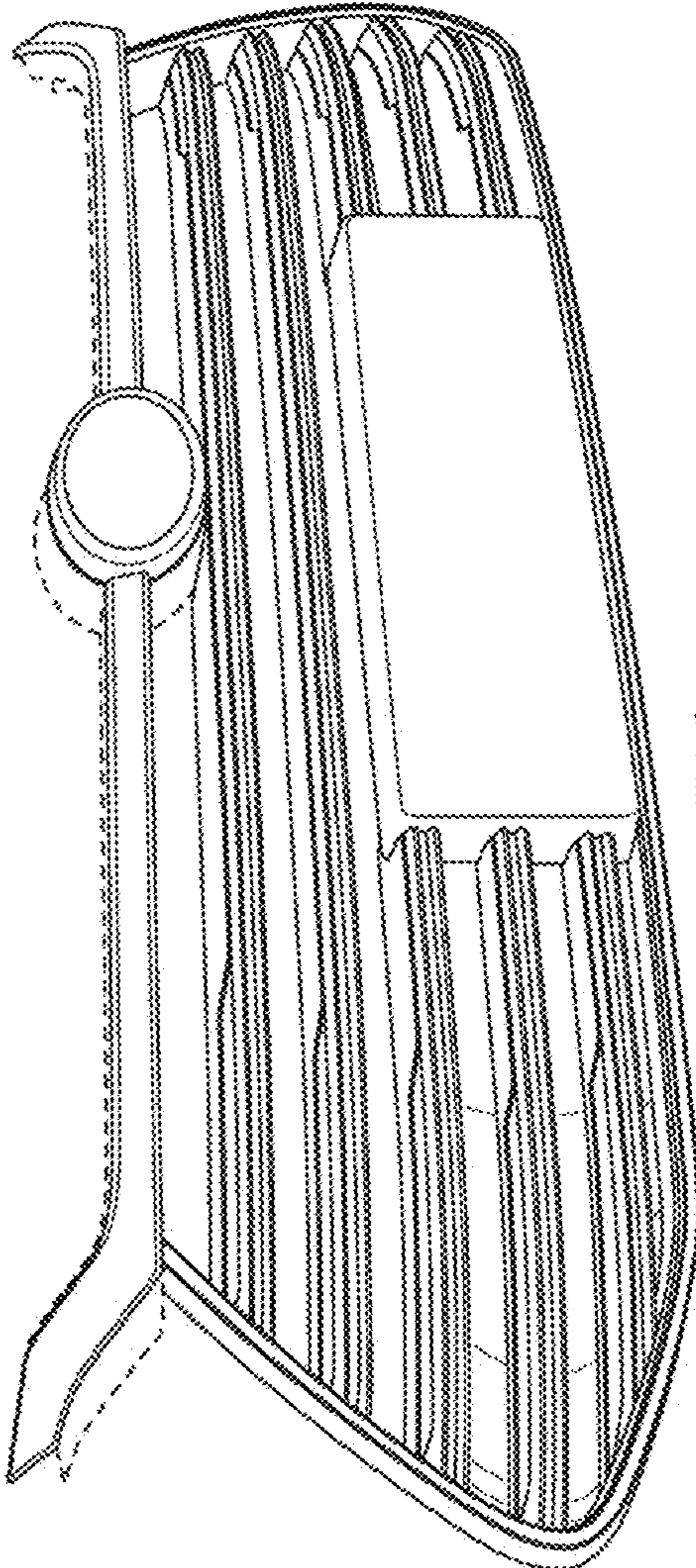


FIG. 7