



US00D936528S

(12) **United States Design Patent** (10) **Patent No.:** **US D936,528 S**
Xiang (45) **Date of Patent:** **** Nov. 23, 2021**

- (54) **EXERCISING BIKE FRAME COVER**
- (71) Applicant: **Shenzhen Naisi Trading Co., Ltd.**,
Shenzhen (CN)
- (72) Inventor: **Shiming Xiang**, Changde (CN)
- (**) Term: **15 Years**
- (21) Appl. No.: **29/767,155**
- (22) Filed: **Jan. 20, 2021**
- (51) **LOC (13) Cl.** **21-11**
- (52) **U.S. Cl.**
USPC **D12/126**
- (58) **Field of Classification Search**
USPC D12/126, 127; D21/662-697
CPC B62J 23/00; B62J 1/28; B62J 19/00
See application file for complete search history.

(56) **References Cited**

U.S. PATENT DOCUMENTS

D370,457 S *	6/1996	Dietz	D12/402
D405,032 S *	2/1999	Klarfeld	D12/117
D497,654 S *	10/2004	Chen	D12/127
D591,207 S *	4/2009	Madden	D12/117
D594,791 S *	6/2009	Million	D12/126
D630,416 S *	1/2011	Lockhart, III	D2/860
D635,061 S *	3/2011	Moe	D12/126
D911,881 S *	3/2021	Lindloff	B62J 25/00
				D12/126
D920,173 S *	5/2021	Avery	D12/117
2015/0041603 A1 *	2/2015	Kinder	A47K 10/025
				248/214
2020/0070918 A1 *	3/2020	Haley	B62J 23/00

OTHER PUBLICATIONS

“TACX Sweat Cover” TACX., posted date Jul. 14, 2017 [online], [retrieved on Aug. 26, 2021]. Retrieved from the Internet <URL: <https://www.competitivecyclist.com/tacx-sweat-cover?skidn=TAC001T->

ONECOL-ONESIZ&ti=UEXQIEJyYW5kOIRhY3ggQ3ljbGluZyB
BY2Nlc3Nvcmlle3oxOjc6MTAwMDAwNzlyX2NjQ2F0MTAw
MDAx> (Year: 2017).*

“Bike Sweat Guard” ROCKBROS., posted date Dec. 8, 2020 [online], [retrieved on Aug. 26, 2021]. Retrieved from the Internet <URL: https://www.amazon.com/ROCKBROS-Bicycle-Protector-Corrosion-Training/dp/B08PYYLH6P/ref=sr_1_7?dchild=1&keywords=Bicycle+Trainer+Sweat+Frame+Guard&qid=1630006698&sr=8-7> (Year: 2020).*

“Bike Frame Sweat Guard” Daxin., posted date Jan. 4, 2020 [online], [retrieved on Aug. 26, 2021]. Retrieved from the Internet <URL: https://www.amazon.com/Daxin-Absorbs-Prevent-Corrosion-Training/dp/B083GN2N81/ref=sr_1_25?dchild=1&keywords=Bicycle+Trainer+Sweat+Frame+Guard&qid=1630006698&sr=8-25> (Year: 2020).*

* cited by examiner

Primary Examiner — Darlington Ly
Assistant Examiner — Nasim Abdulaziz Ali
(74) *Attorney, Agent, or Firm* — W&K IP

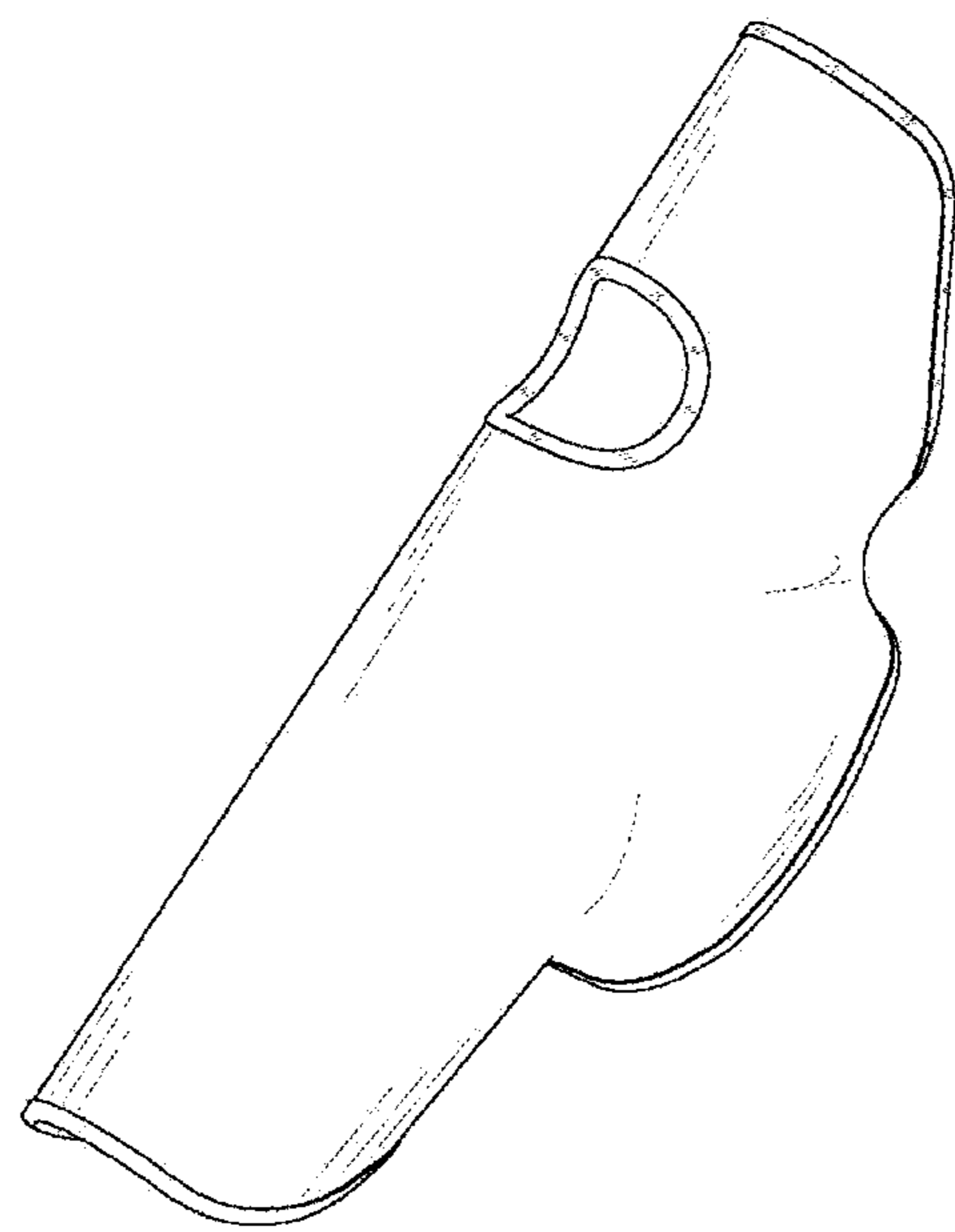
(57) **CLAIM**

The ornamental design for an exercising bike frame cover, as shown and described.

DESCRIPTION

FIG. 1 is a front perspective view of an exercising bike frame cover showing my new design;
FIG. 2 is a rear perspective view thereof;
FIG. 3 is a front elevation view thereof;
FIG. 4 is a rear elevation view thereof;
FIG. 5 is a left side elevation view thereof;
FIG. 6 is a right side elevation view thereof;
FIG. 7 is a top plan view thereof;
FIG. 8 is a bottom plan view thereof; and,
FIG. 9 is a front elevation view thereof, illustrated in an unfolded configuration.

1 Claim, 9 Drawing Sheets



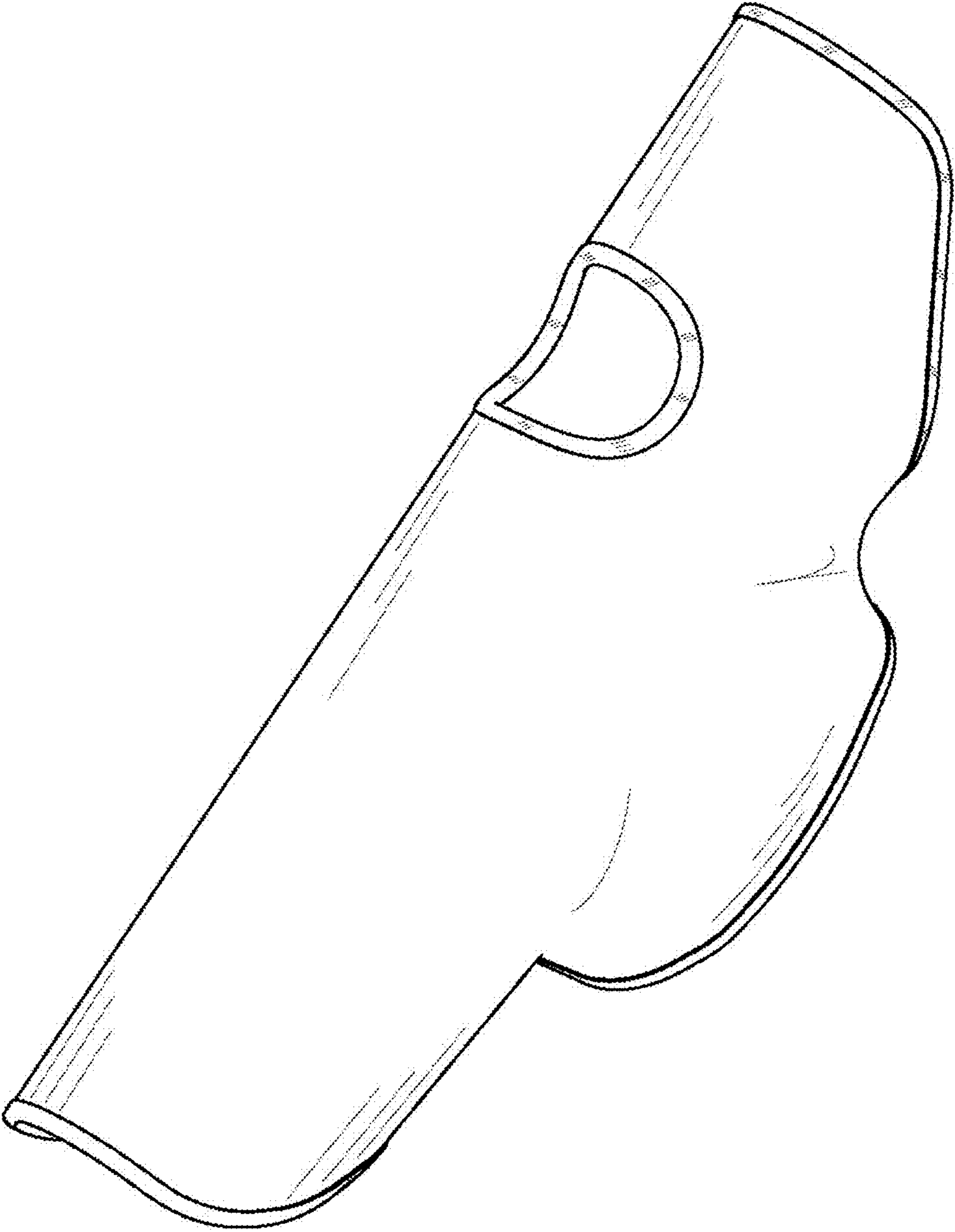


FIG.1

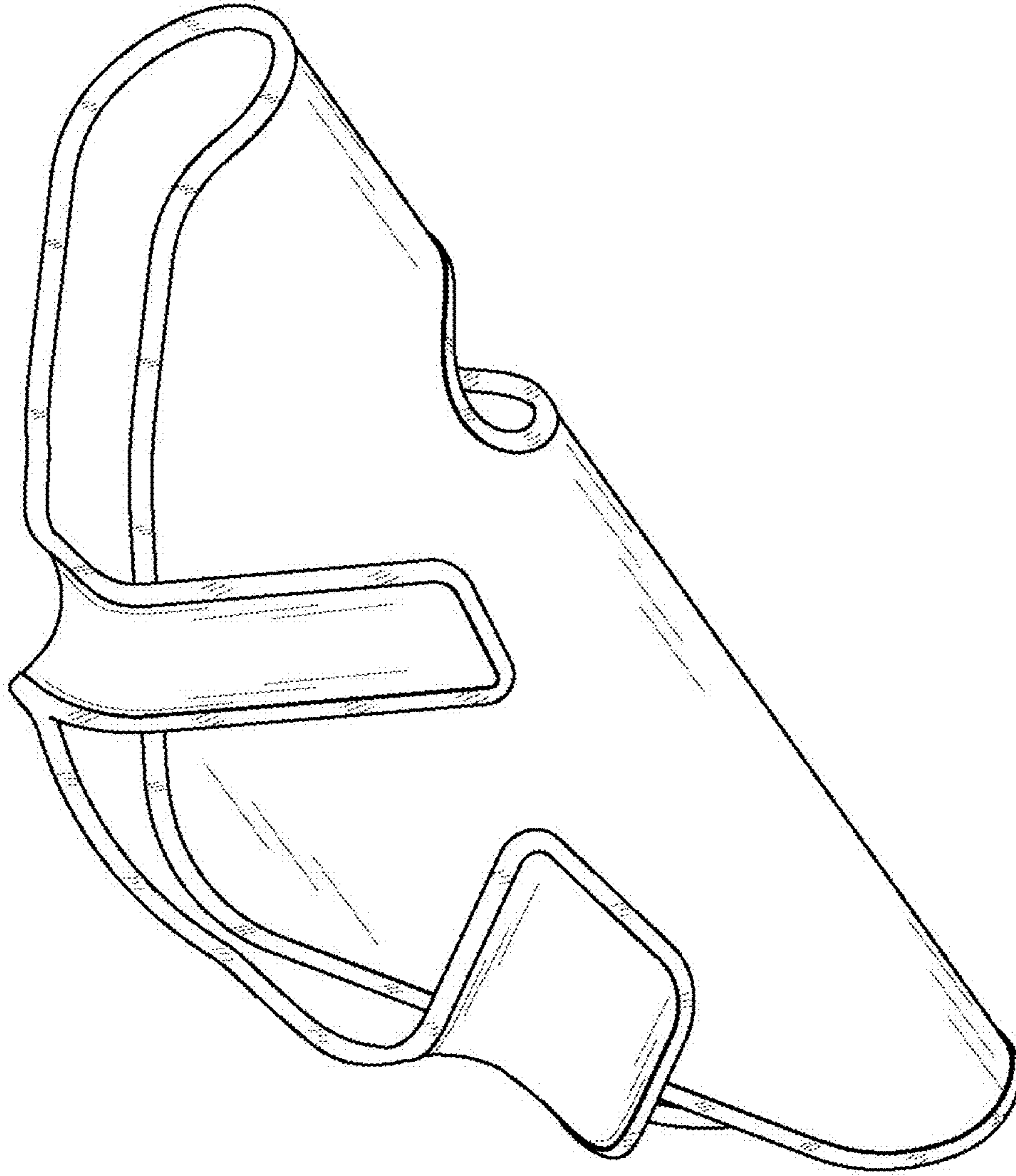


FIG.2

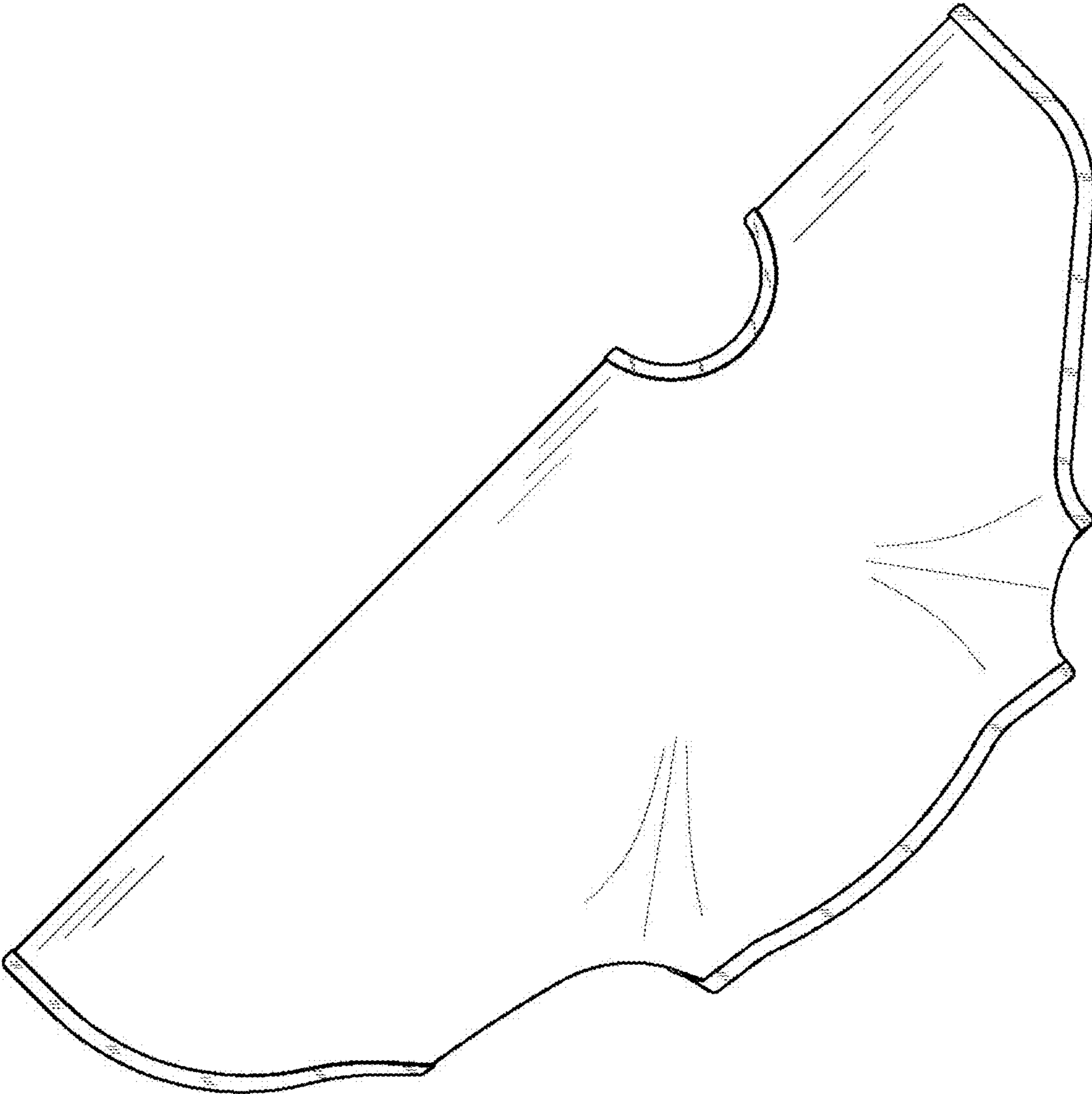


FIG.3

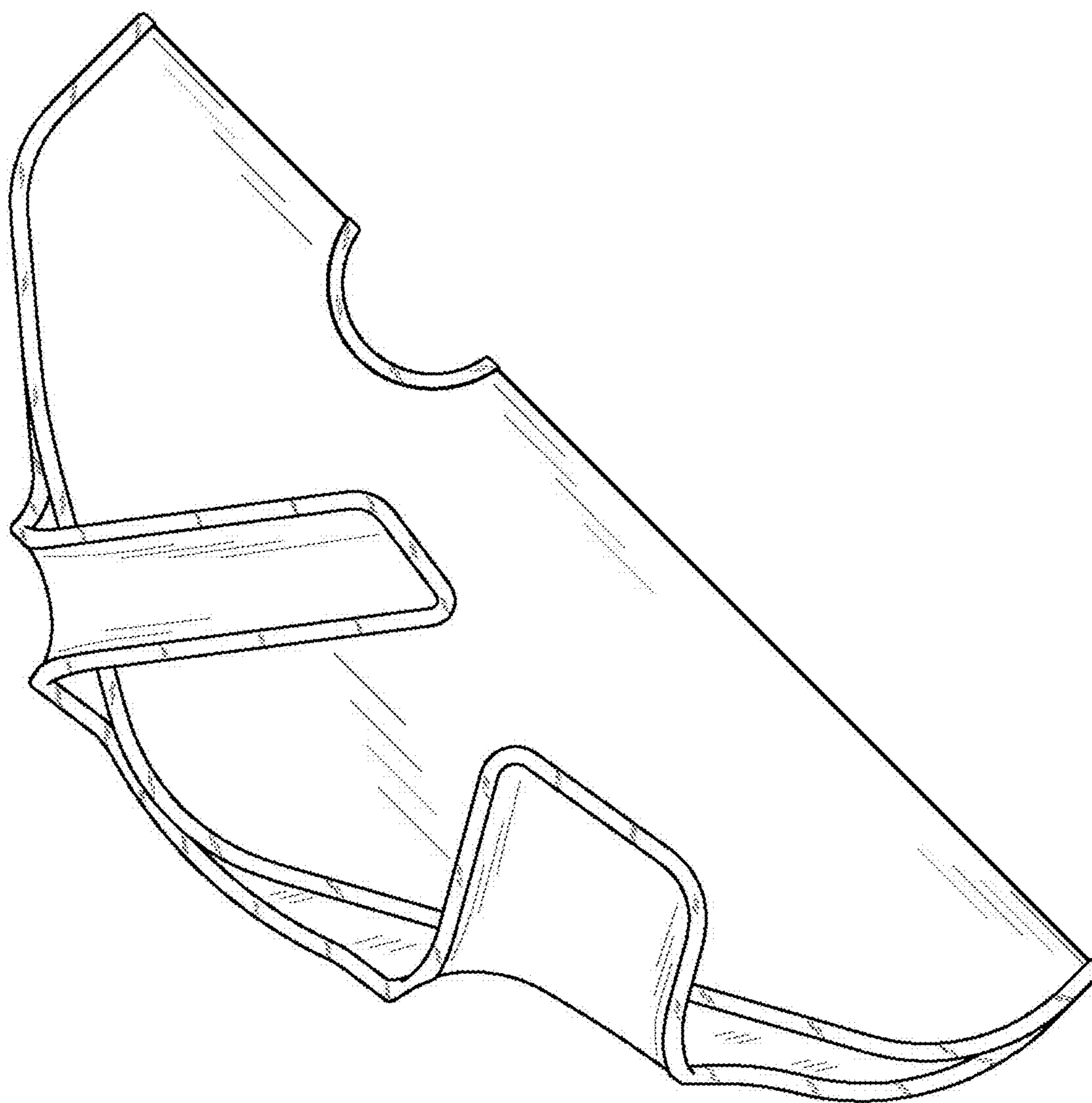


FIG.4

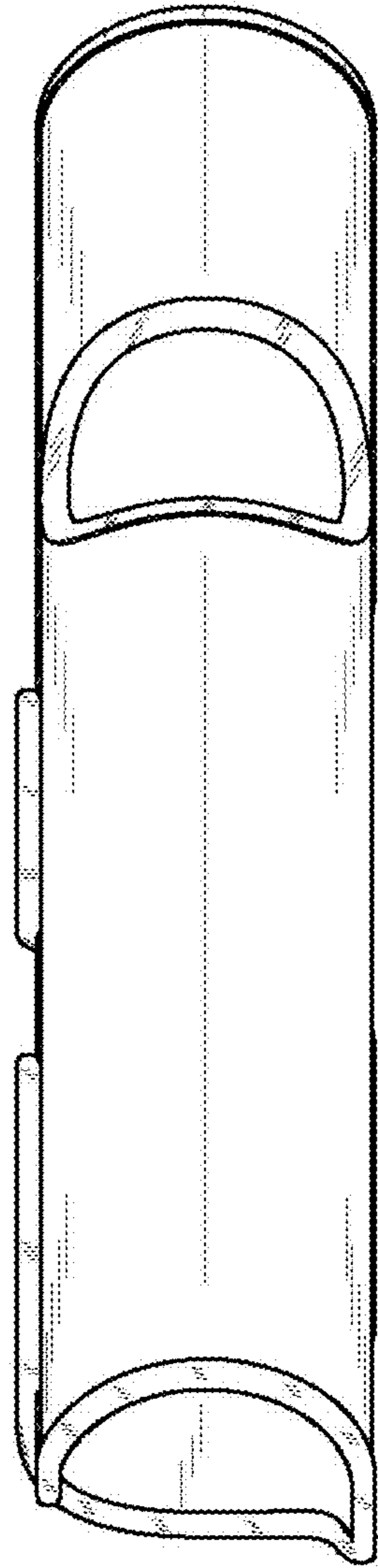


FIG.5

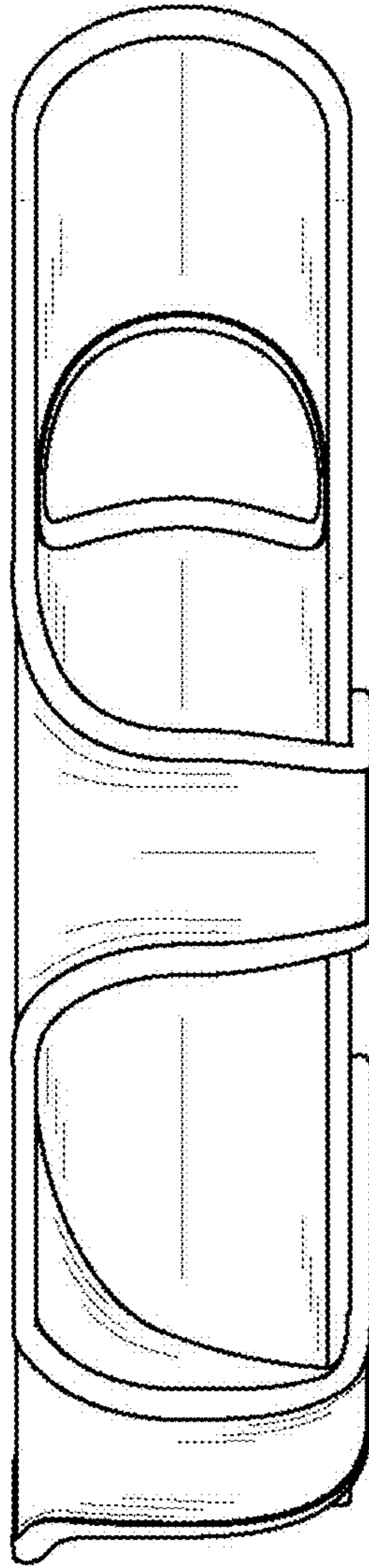


FIG.6

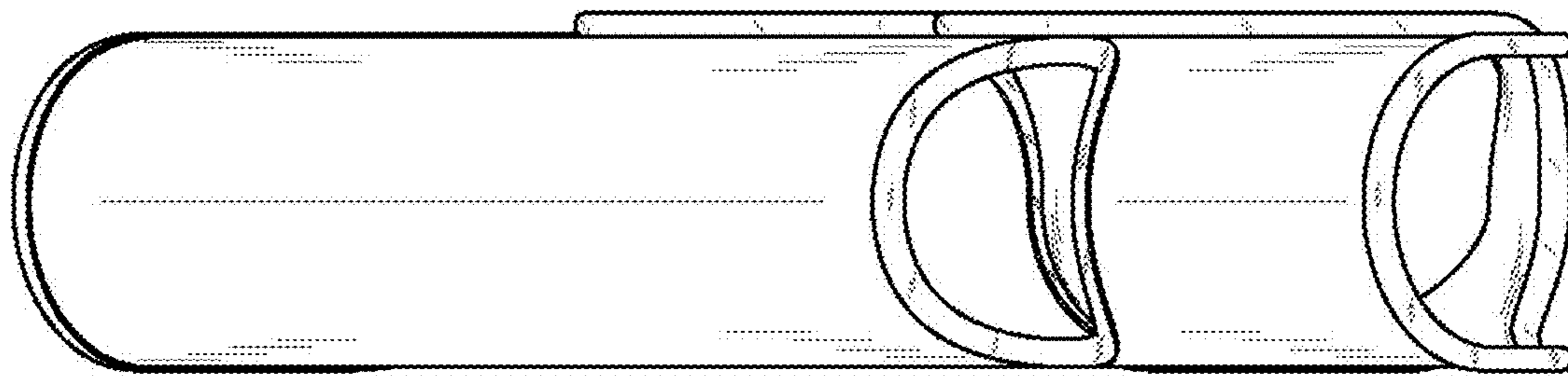


FIG.7

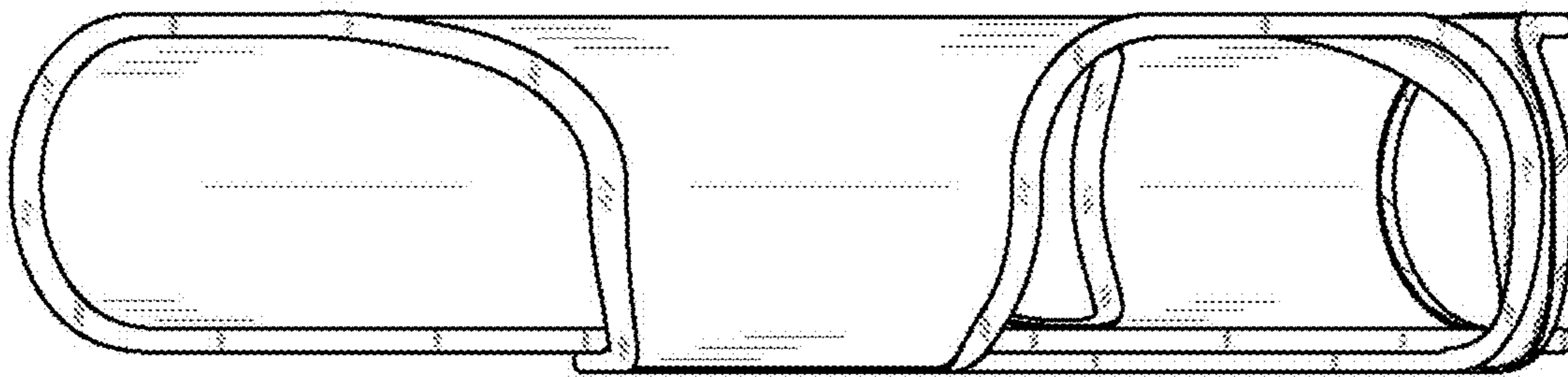


FIG.8

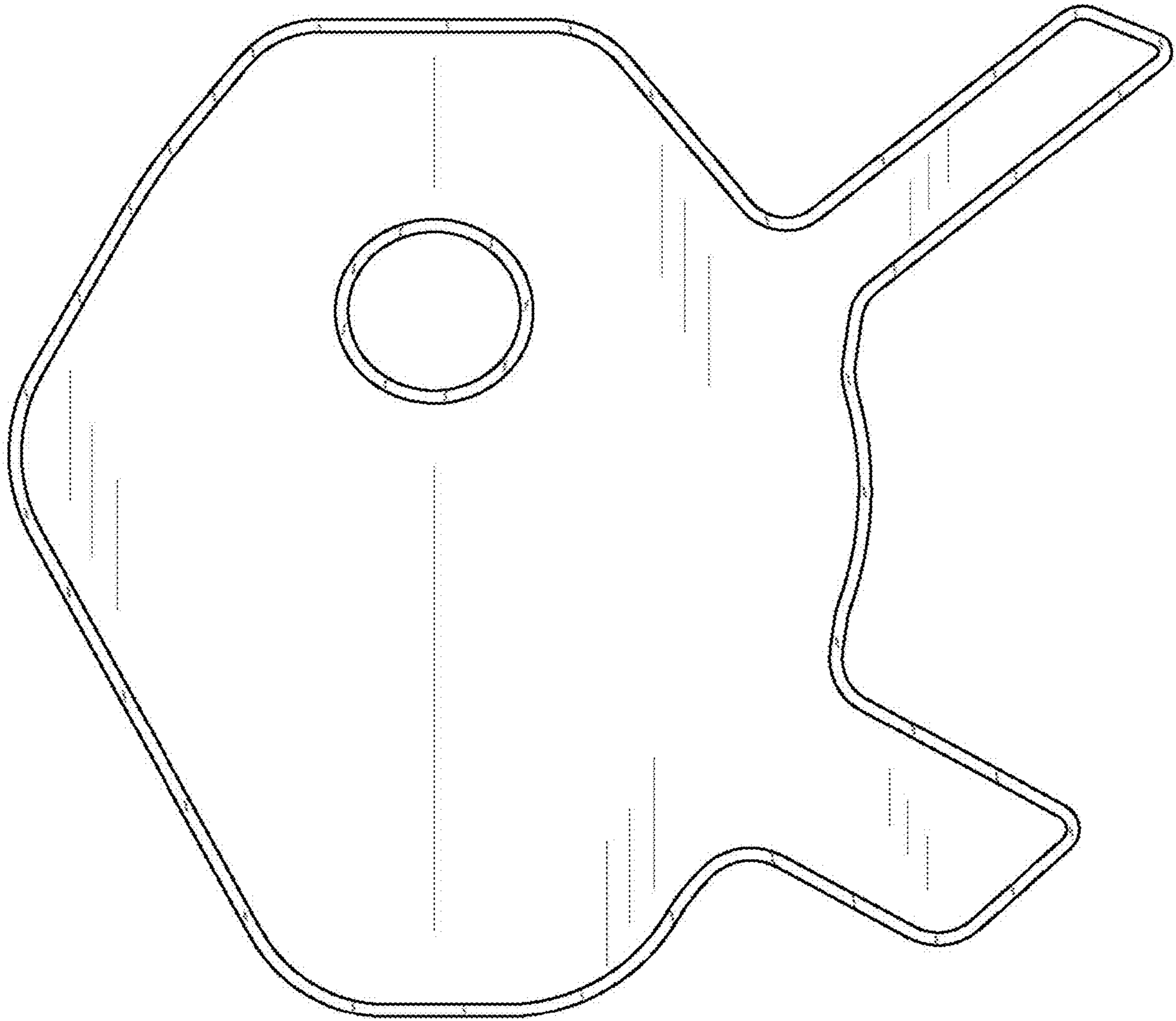


FIG.9