



US00D936527S

(12) **United States Design Patent**
Okonsky et al.

(10) **Patent No.:** **US D936,527 S**

(45) **Date of Patent:** **** Nov. 23, 2021**

(54) **ELECTRIC BIKE**

(71) Applicant: **VOLCON, INC.**, Austin, TX (US)

(72) Inventors: **Christian Okonsky**, Austin, TX (US);
Darren McKeage, Calgary (CA)

(73) Assignee: **Volcon, Inc.**, Austin, TX (US)

(**) Term: **15 Years**

(21) Appl. No.: **29/748,033**

(22) Filed: **Aug. 26, 2020**

(51) **LOC (13) Cl.** **12-11**

(52) **U.S. Cl.**
USPC **D12/111**

(58) **Field of Classification Search**
USPC D12/111, 117; D21/412, 414, 419,
D21/423-428, 431-435
CPC B62K 3/00; B62K 3/02; B62K 3/06
See application file for complete search history.

(56) **References Cited**

U.S. PATENT DOCUMENTS

D253,102 S *	10/1979	Hahn	D12/110
D281,615 S *	12/1985	Barbato	D12/110
D406,253 S *	3/1999	Yamashita	D12/110
D578,042 S *	10/2008	Yang	D12/111
D645,791 S *	9/2011	Lee	D12/110
D650,724 S *	12/2011	Chiang	D12/111
D727,214 S *	4/2015	Yang	D12/111
D730,779 S *	6/2015	Arbour	D12/111
D789,836 S *	6/2017	Gouin	D12/111
D803,103 S *	11/2017	Clyde	D12/110
D815,991 S *	4/2018	Clyde	D12/110
D850,982 S *	6/2019	Zhu	D12/111
D850,983 S *	6/2019	Zhu	D12/111
D854,969 S *	7/2019	Gouin	D12/111
D902,084 S *	11/2020	Gauthier	D12/111
D909,920 S *	2/2021	Zhu	D12/111

D910,496 S *	2/2021	Zhu	D12/111
D910,497 S *	2/2021	Sun	D12/111
D915,244 S *	4/2021	Chen	D12/111
D920,848 S *	6/2021	Kuehne	D12/110
2011/0115193 A1 *	5/2011	Giroux	B62K 19/36 280/281.1

OTHER PUBLICATIONS

“2022 Volcon Grunt” Volcon Grunt., posted date Jul. 31, 2021 [online], [retrieved on Sep. 23, 2021]. Retrieved from the Internet <URL:https://volcon.com/grunt.html> (Year: 2021).*

“New Texas EV startup unveils US-made electric motorcycle” Volcon Grunt., posted date Feb. 3, 2021 [online], [retrieved on Sep. 23, 2021]. Retrieved from the Internet <URL:https://electrek.co/2020/10/21/new-texas-ev-startup-unveils-us-made-electric-motorcycle-with-the-right-specs-and-price/>.*

“Volcon Inc. Opens For Business” Volcon Inc., posted date Oct. 21, 2020 [online], [retrieved on Sep. 23, 2021]. Retrieved from the Internet <URL:https://www.cycleworld.com/story/bikes/volcon-inc-electric-vehicle-company-launched/> (Year: 2020).*

* cited by examiner

Primary Examiner — Darlington Ly

Assistant Examiner — Nasim Abdulaziz Ali

(57) **CLAIM**

The ornamental design for an electric bike, as shown and described.

DESCRIPTION

FIG. 1 is a left side elevation view of an electric bike embodying our new design;

FIG. 2 is a right side elevation view thereof;

FIG. 3 is a front and right side perspective view thereof;

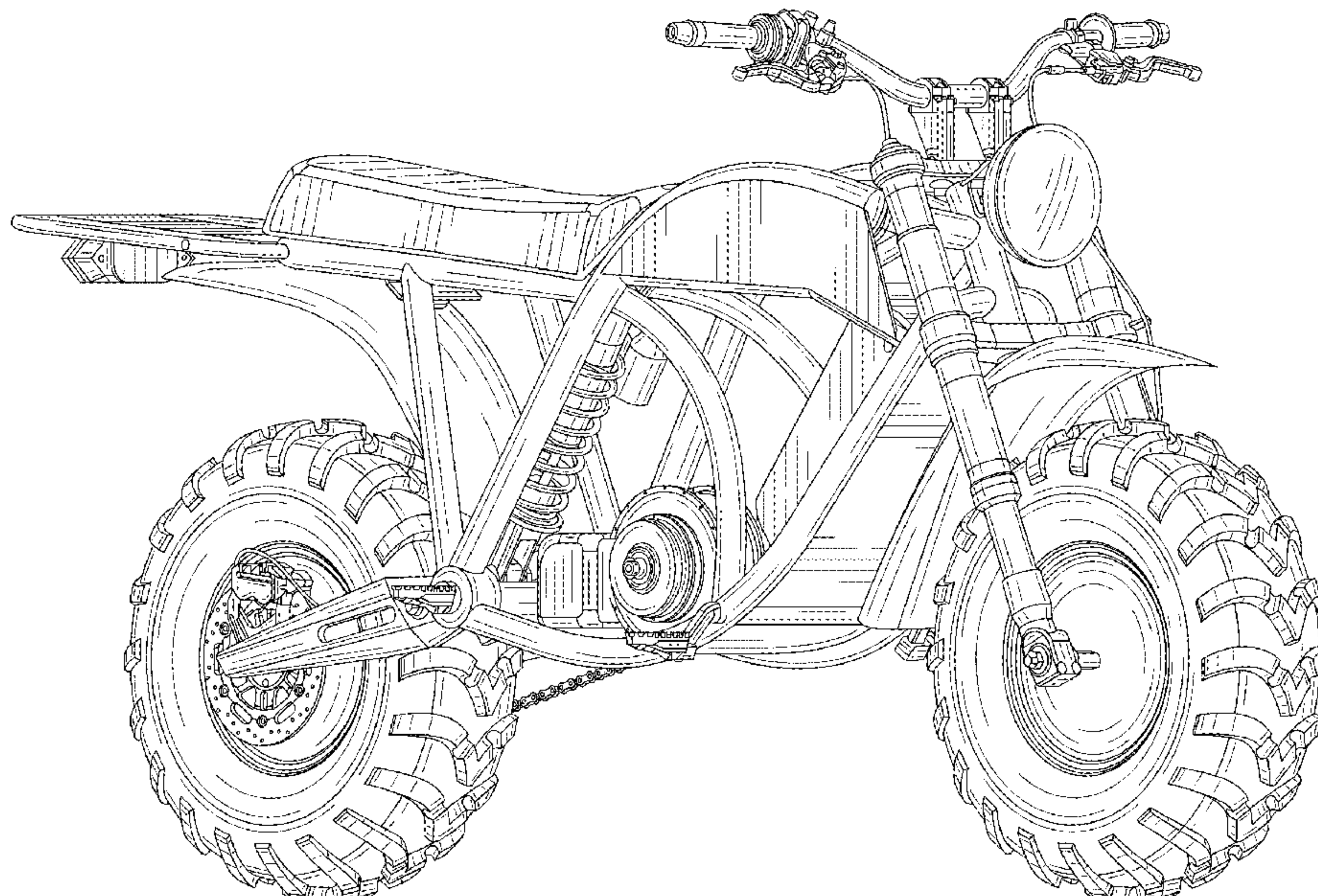
FIG. 4 is a rear and left side perspective view thereof;

FIG. 5 is a top plan view thereof;

FIG. 6 is a front elevation view thereof; and,

FIG. 7 is a rear elevation view thereof.

1 Claim, 7 Drawing Sheets



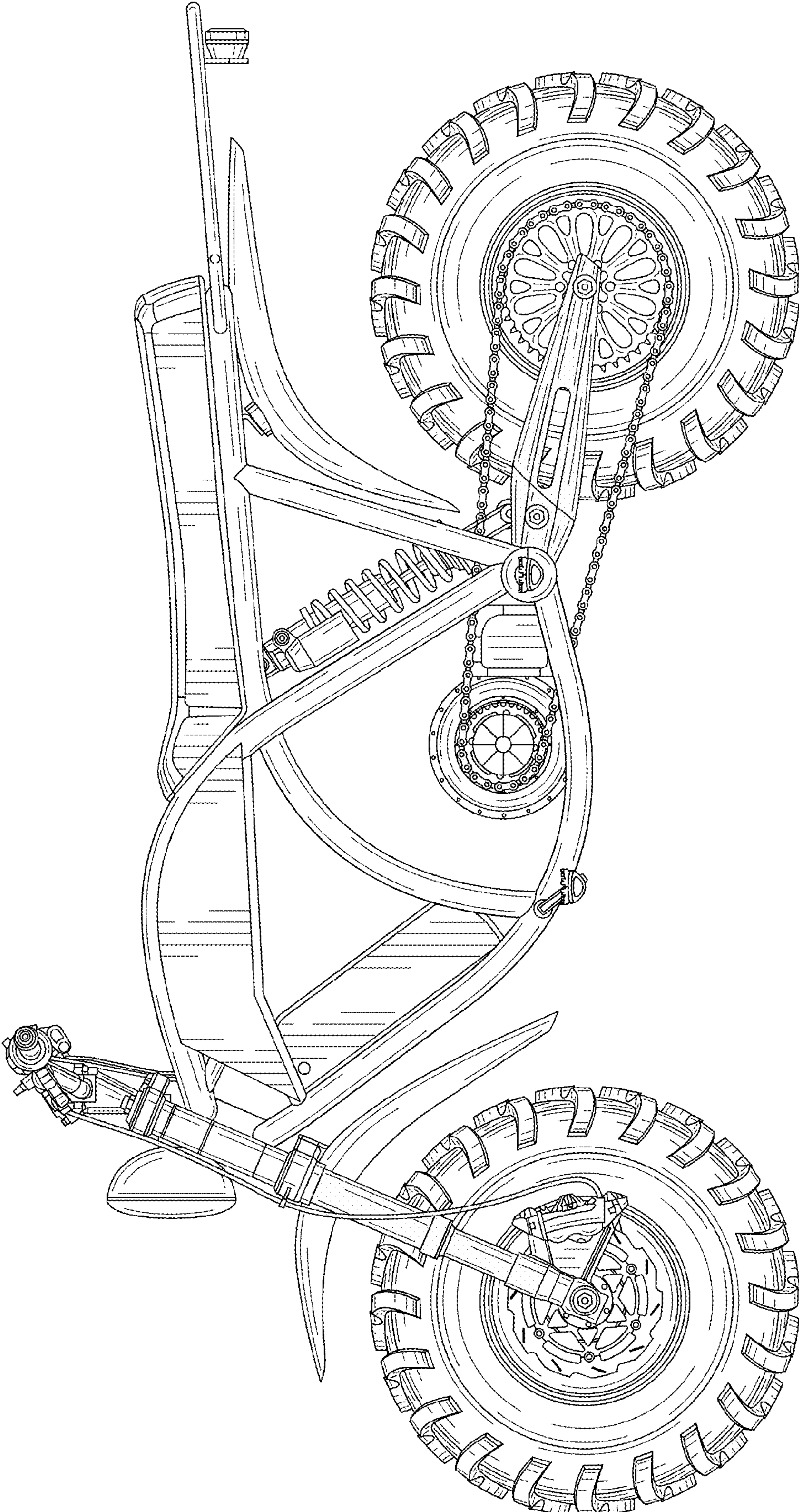


FIG. 1

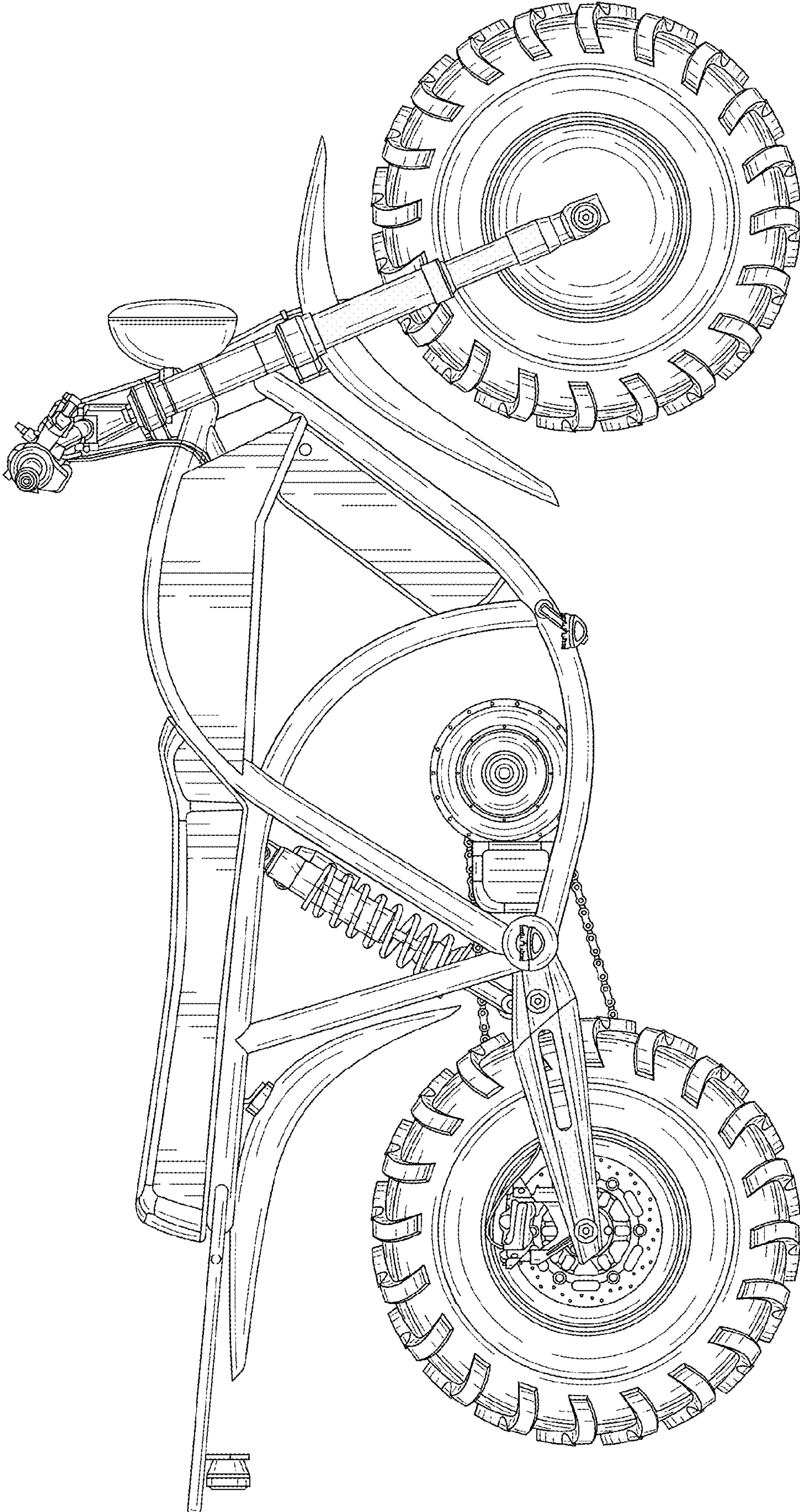


FIG. 2

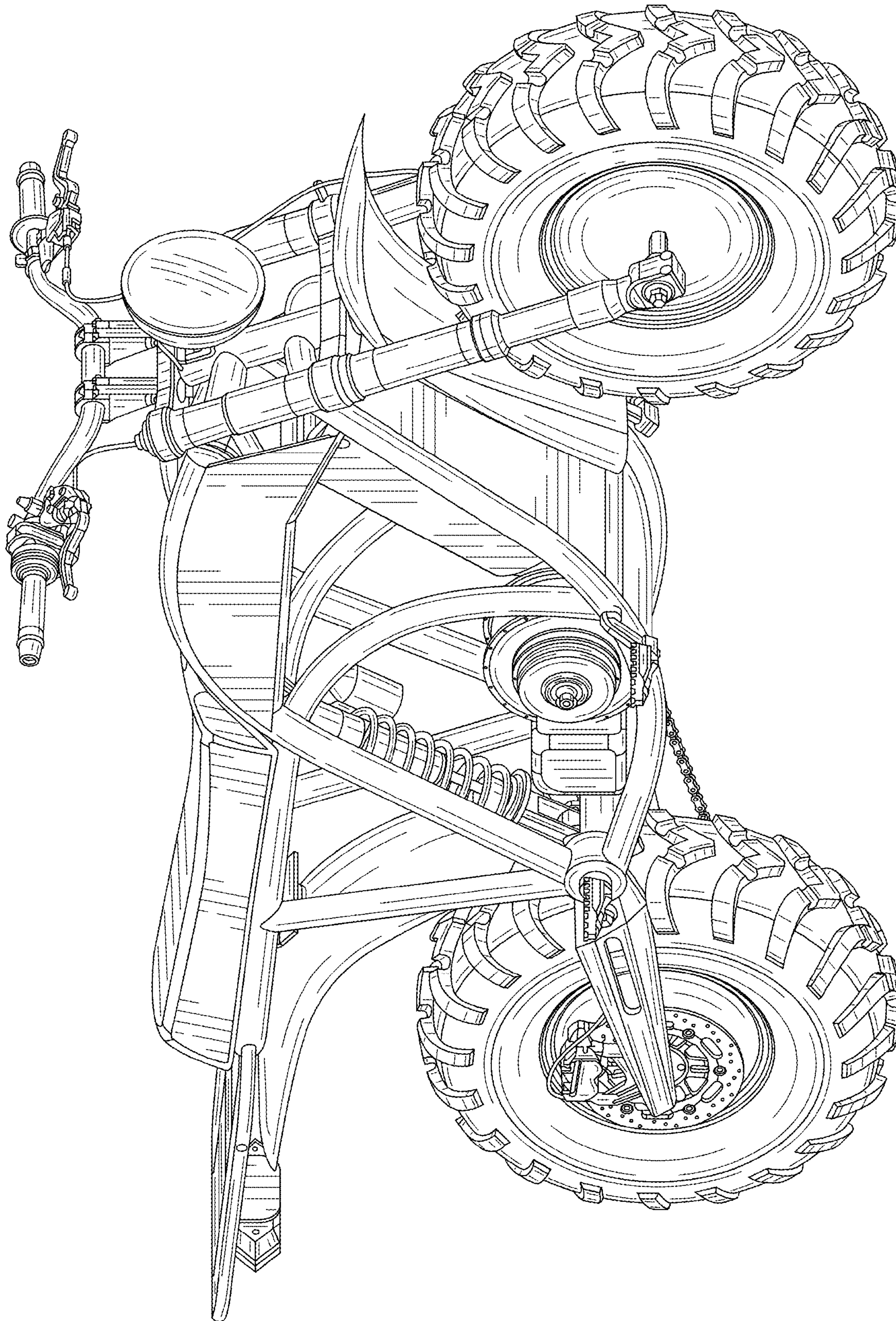


FIG. 3

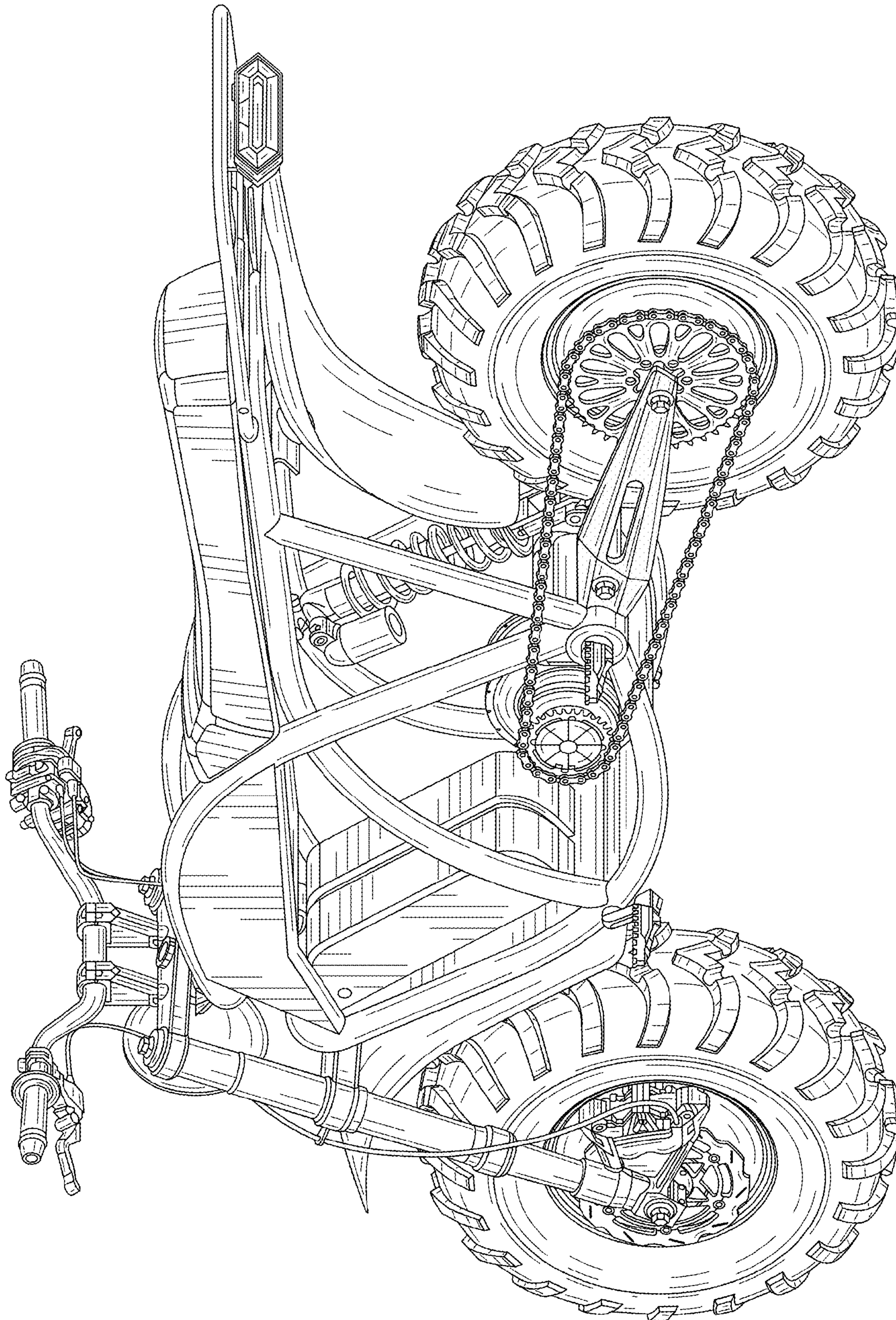


FIG. 4

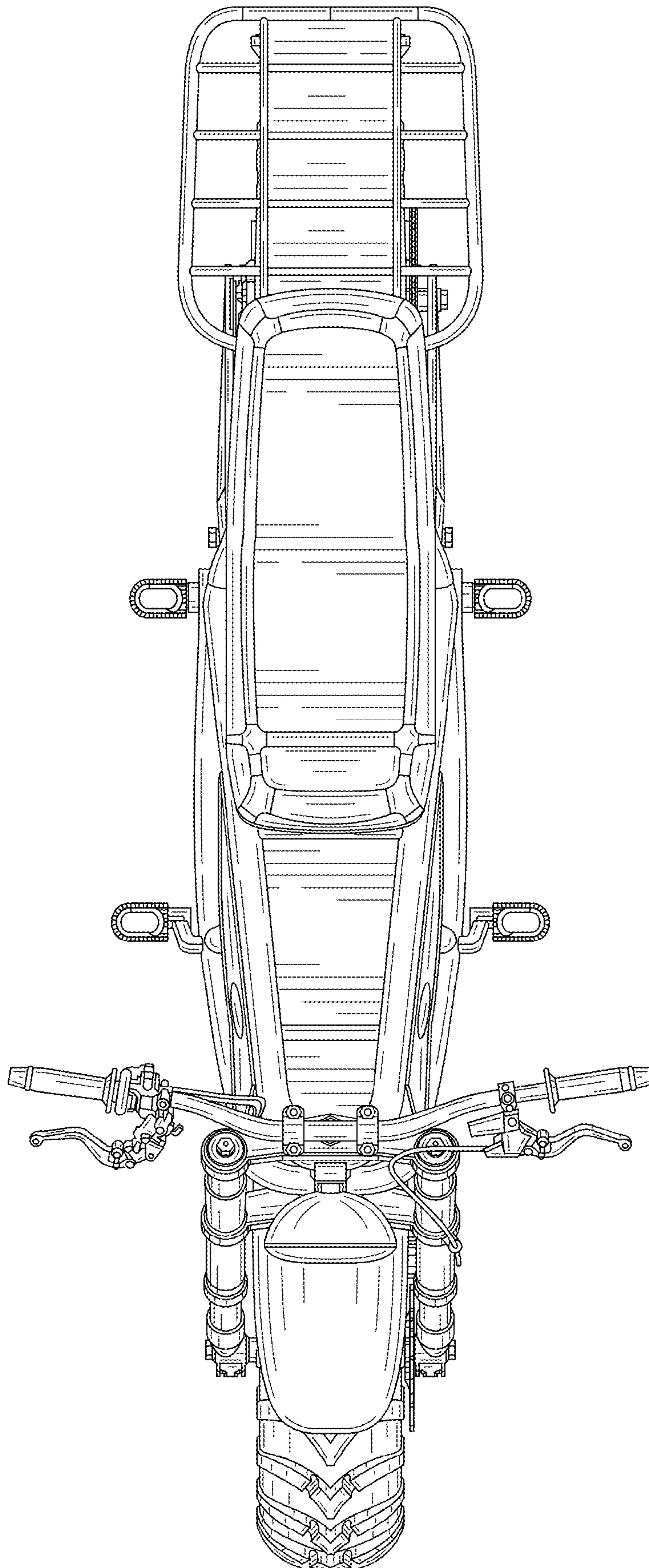


FIG. 5

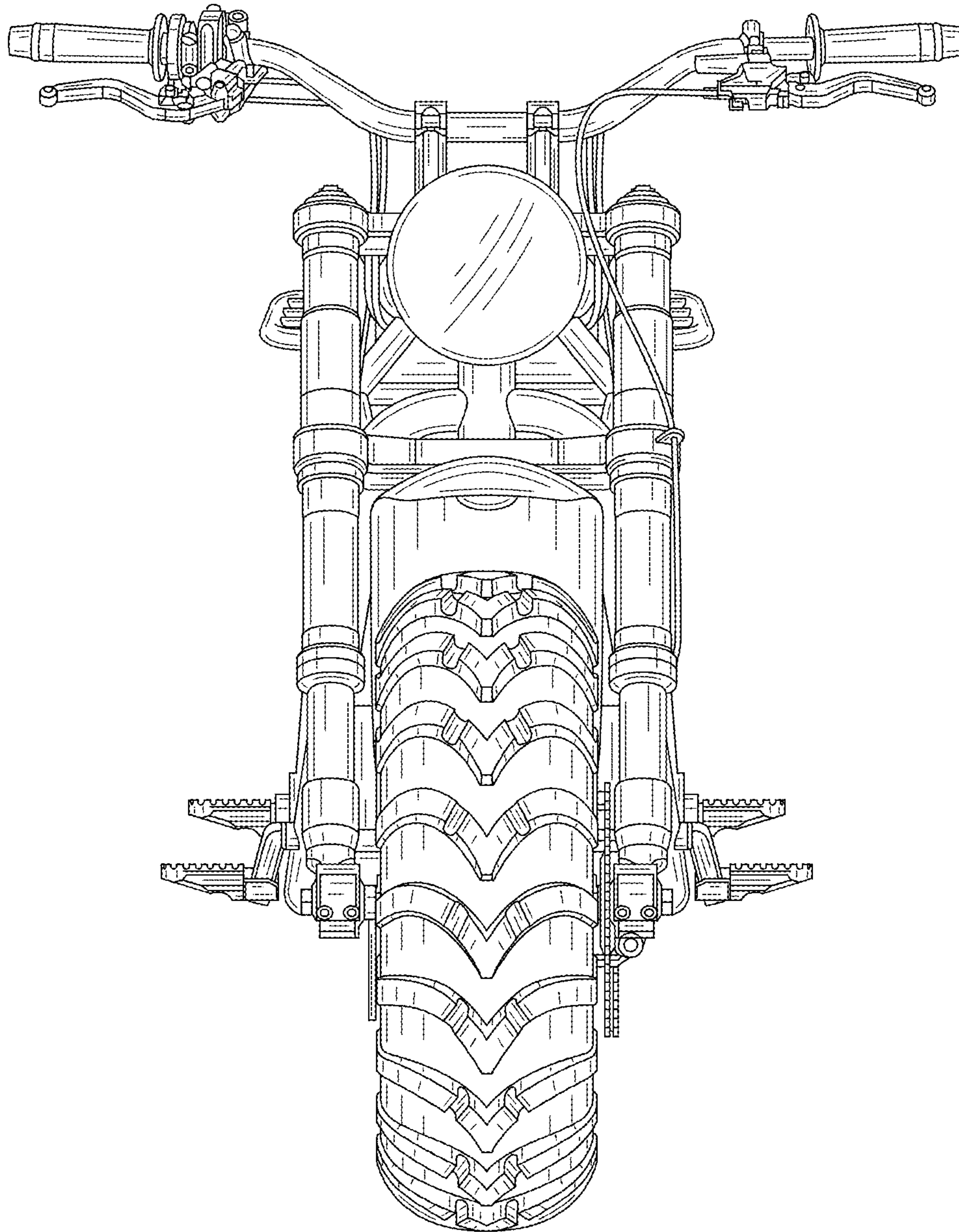


FIG. 6

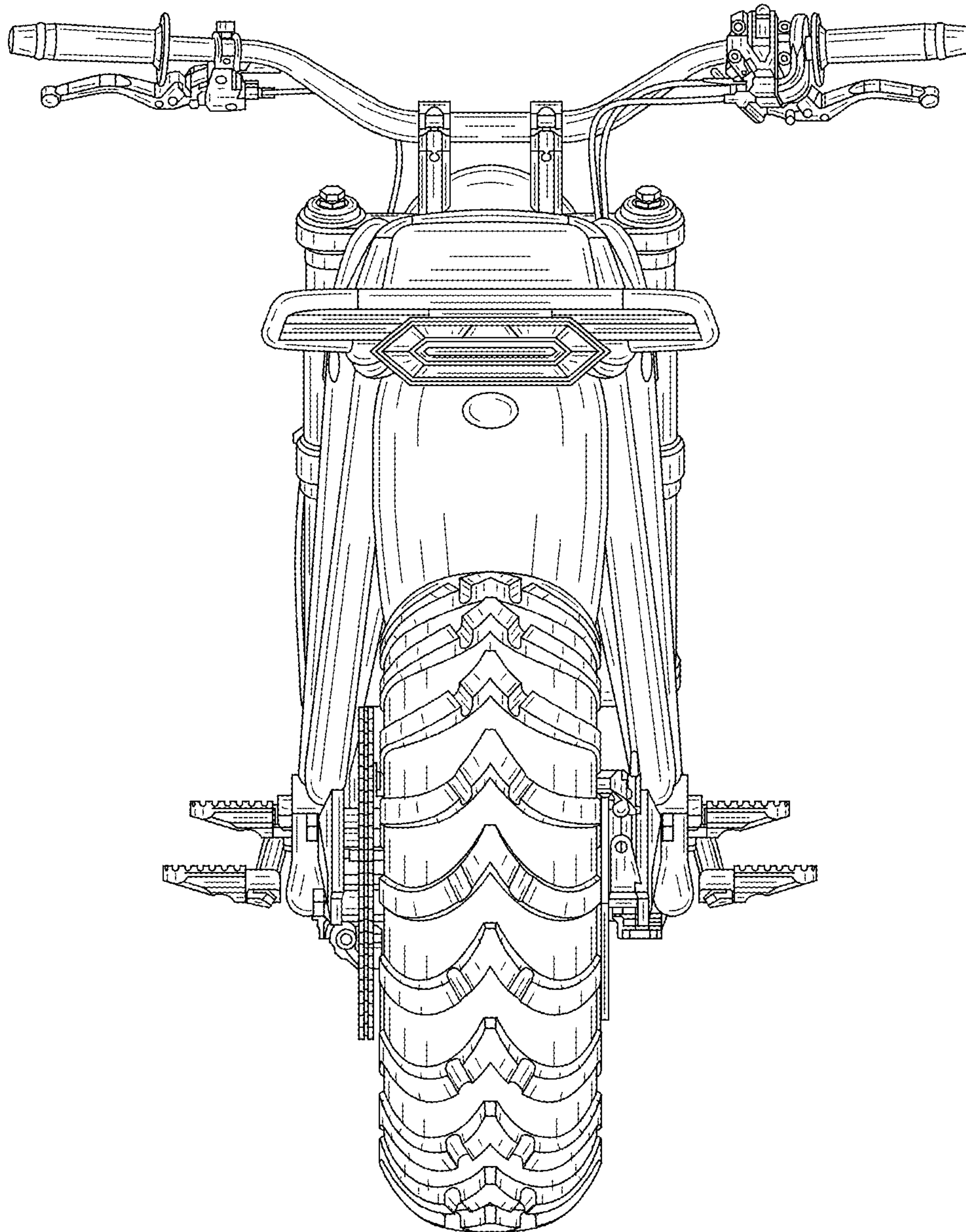


FIG. 7