



US00D936525S

(12) **United States Design Patent** (10) **Patent No.:** **US D936,525 S**
Kuriki et al. (45) **Date of Patent:** **** Nov. 23, 2021**

(54) **MOTORCYCLE AND /OR REPLICA THEREOF**

D874,985 S * 2/2020 Shigihara D12/110
D906,182 S * 12/2020 Song D12/110
D911,879 S * 3/2021 Christoph D12/110

(71) Applicant: **Honda Motor Co., Ltd.**, Tokyo (JP)

(72) Inventors: **Daisuke Kuriki**, Tokyo (JP); **Yoshiyuki Ishiguri**, Tokyo (JP); **Jun Tanaka**, Tokyo (JP)

(73) Assignee: **HONDA MOTOR CO., LTD.**, Tokyo (JP)

(**) Term: **15 Years**

(21) Appl. No.: **29/748,864**

(22) Filed: **Sep. 1, 2020**

(30) **Foreign Application Priority Data**

Mar. 2, 2020 (JP) 2020-004055 D

(51) **LOC (13) Cl.** **12-11**

(52) **U.S. Cl.**
USPC **D12/110**

(58) **Field of Classification Search**
USPC D12/110, 111, 117; D21/432, 538
CPC B62K 11/00; B62K 11/02; B62K 11/04;
B62K 11/10; B62K 17/00; B62K 19/00;
B62K 2202/00

See application file for complete search history.

(56) **References Cited**

U.S. PATENT DOCUMENTS

D640,606 S * 6/2011 Lai D12/110
D665,310 S * 8/2012 Hohdorf D12/110
D723,429 S * 3/2015 Hohdorf D12/110
D735,616 S * 8/2015 Tako D12/110
D809,432 S * 2/2018 Ueno D12/110
D820,167 S * 6/2018 Aiello D12/110
D825,394 S * 8/2018 Tako D12/110
D840,278 S * 2/2019 Tako D12/110
D871,269 S * 12/2019 Ito D12/110

OTHER PUBLICATIONS

“2021 CBR600RR ABS” Honda., posted date Nov. 5, 2020 [online], [retrieved on Aug. 10, 2021]. Retrieved from the Internet <URL: <https://powersports.honda.com/street/supersport/cbr600rr/build/colors?model=CBR600RAM>> (Year: 2020).*

“Honda unveils self-balancing motorcycle that can drive itself” Honda., posted date Jan. 17, 2017 [online], [retrieved on Aug. 10, 2021]. Retrieved from the Internet <URL: <https://www.dezeen.com/2017/01/12/honda-unveils-self-balancing-motorcycle-design-transport-cs/>> (Year: 2017).*

“X-PRO 125cc Motorcycle Adult” X-PRO Store., posted date Mar. 8, 2021 [online], [retrieved on Aug. 10, 2021]. Retrieved from the Internet <URL: <https://tinyurl.com/h4tx7esw>> (Year: 2021).*

* cited by examiner

Primary Examiner — Darlington Ly

Assistant Examiner — Nasim Abdulaziz Ali

(74) *Attorney, Agent, or Firm* — Birch, Stewart, Kolasch & Birch, LLP

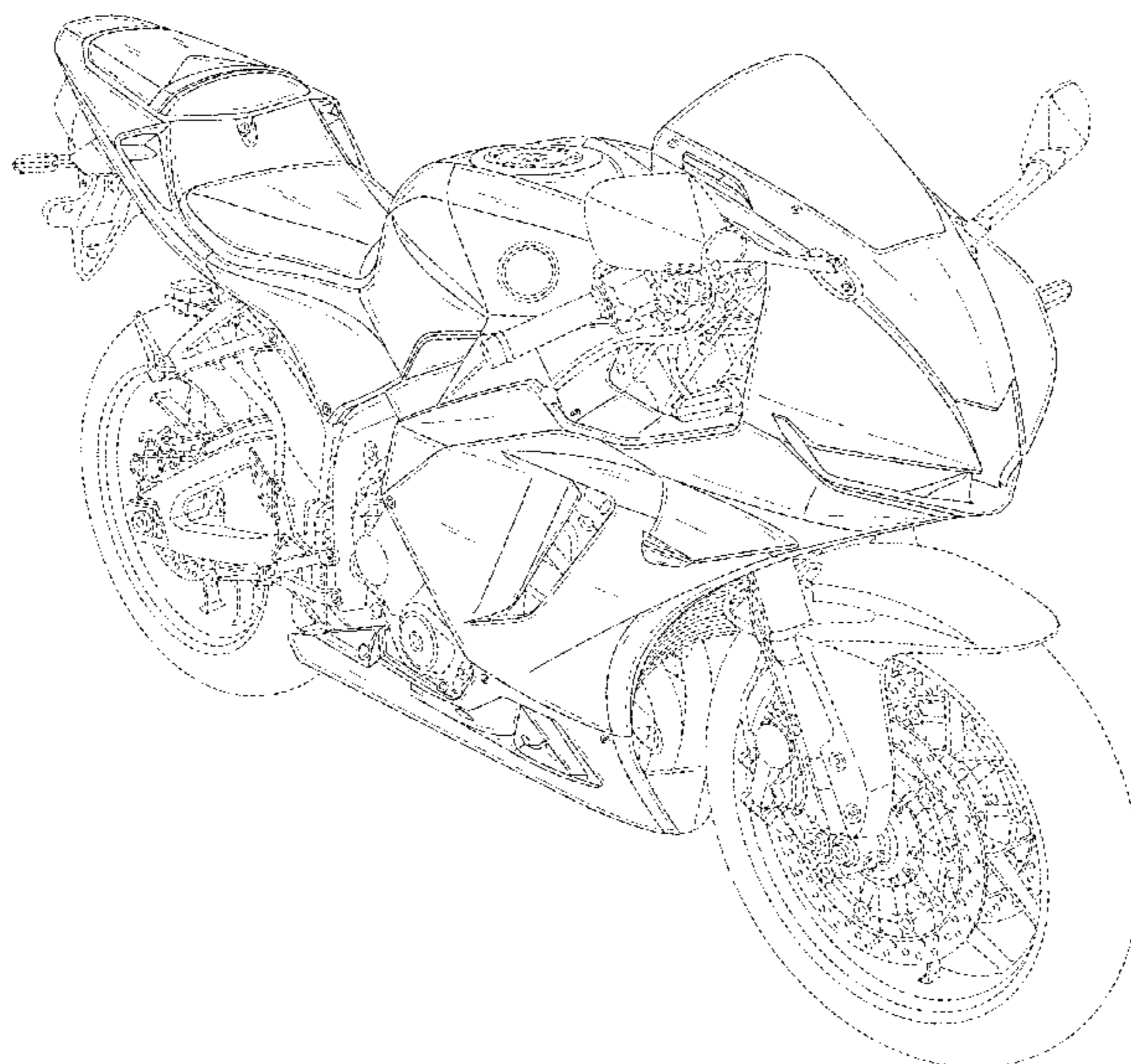
(57) **CLAIM**

The ornamental design for, a motorcycle and/or replica thereof, as shown and described.

DESCRIPTION

FIG. 1 is a front and right side perspective view of a motorcycle and/or replica thereof, showing our new design; FIG. 2 is a rear and left side perspective view thereof; FIG. 3 is a front elevation view thereof; FIG. 4 is a rear elevation view thereof; FIG. 5 is a top plan view thereof; FIG. 6 is a left side elevation view thereof; and, FIG. 7 is a right side elevation view thereof.

1 Claim, 7 Drawing Sheets



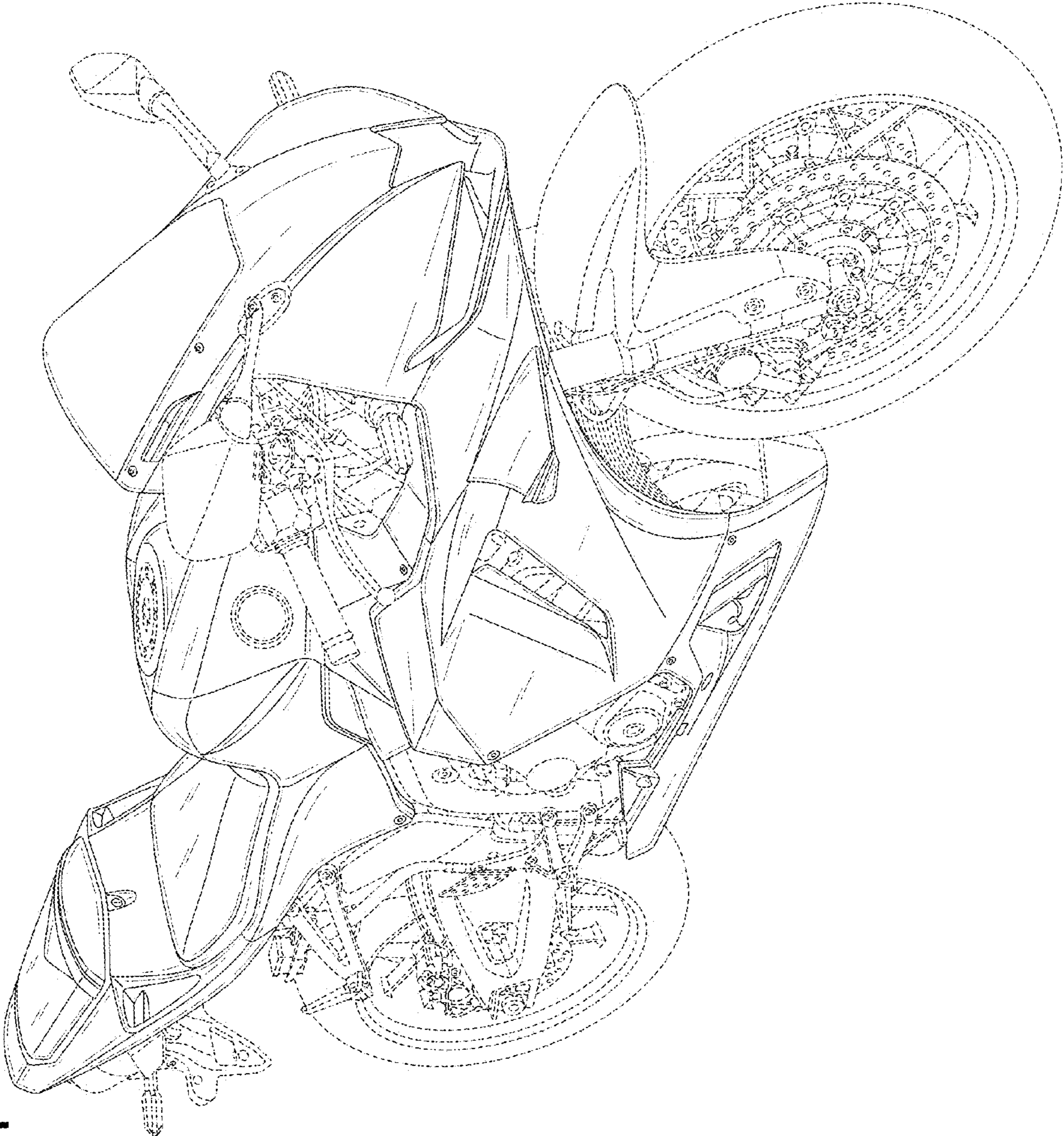


Fig.1

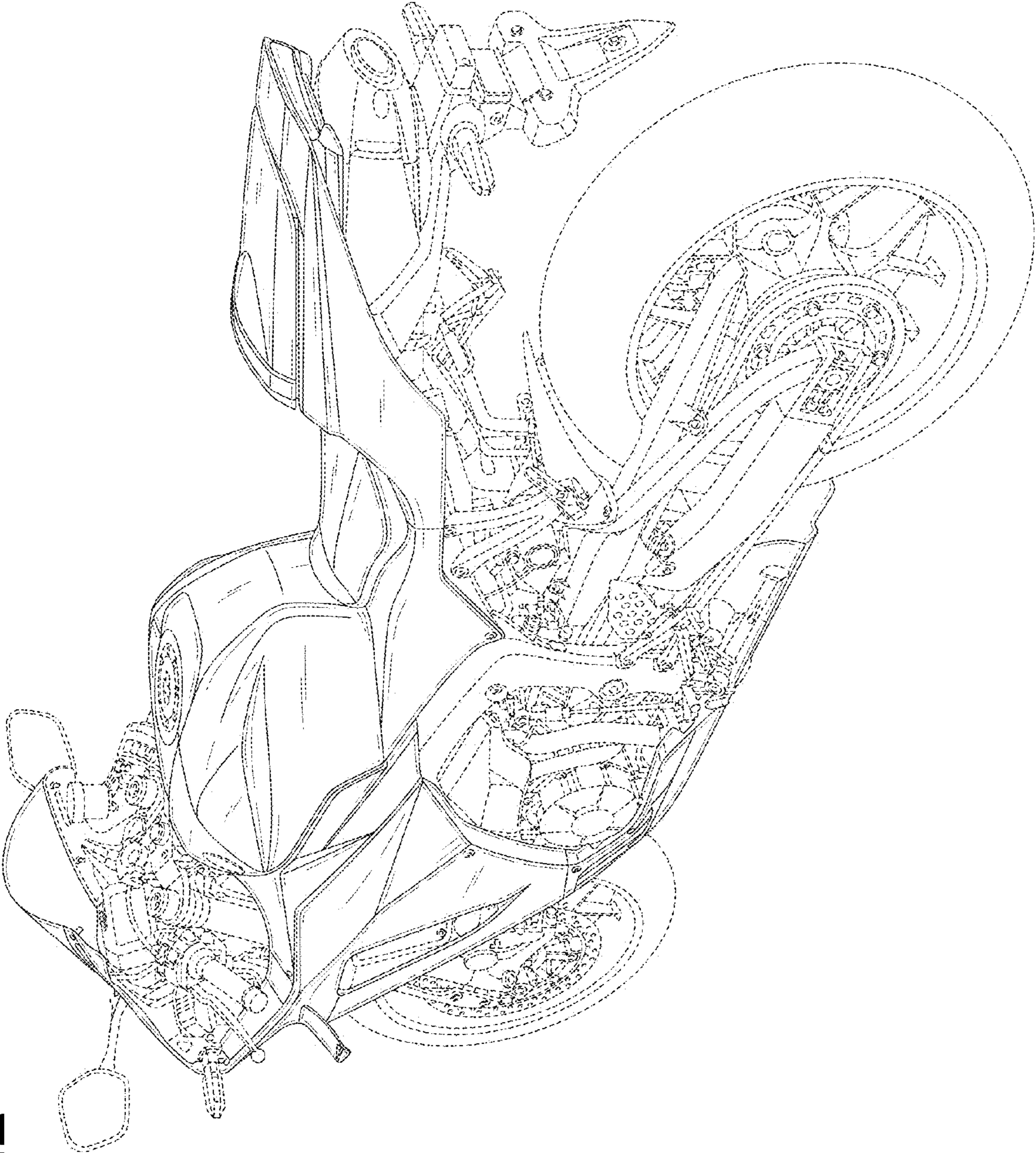


Fig.2

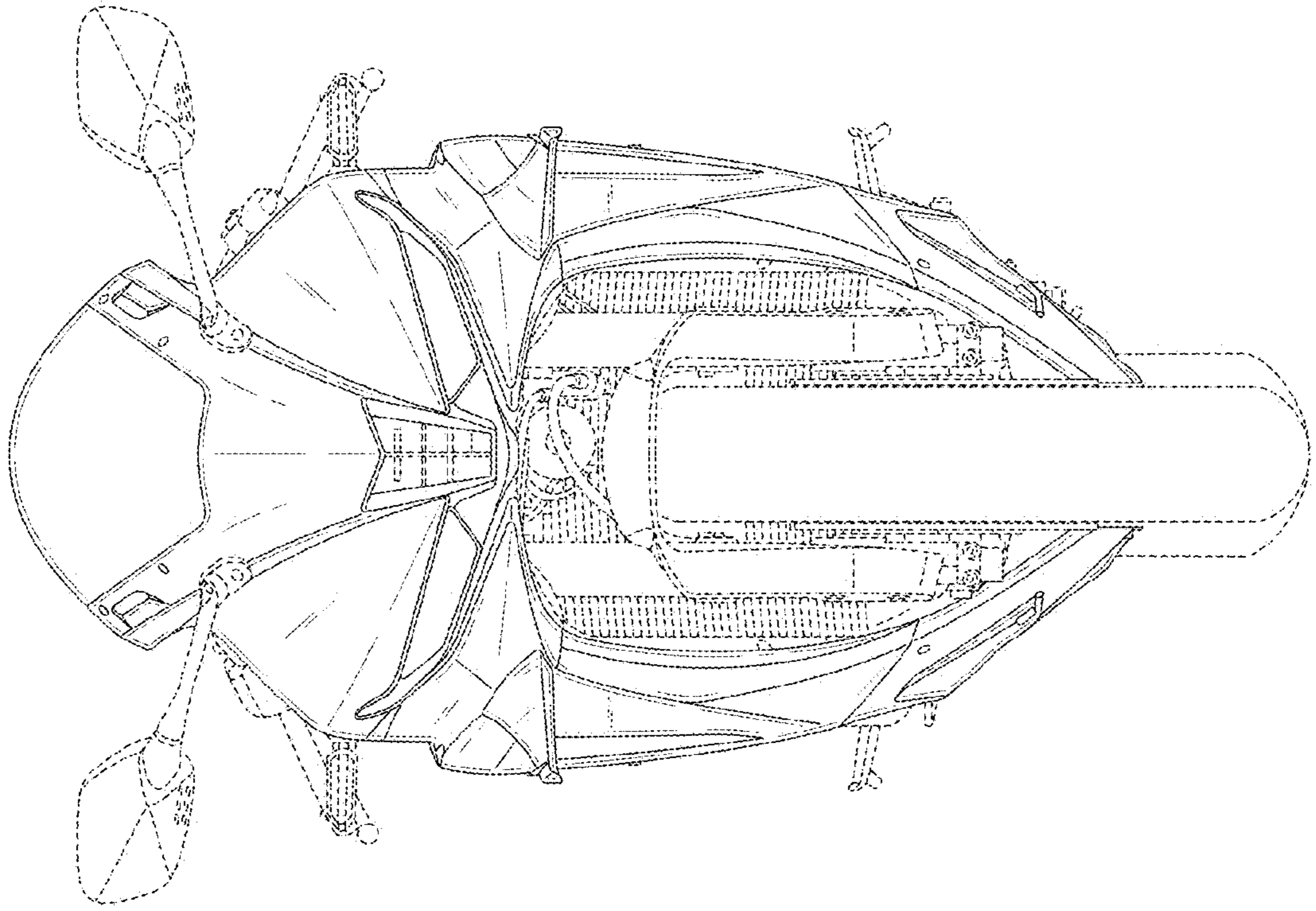


Fig.3

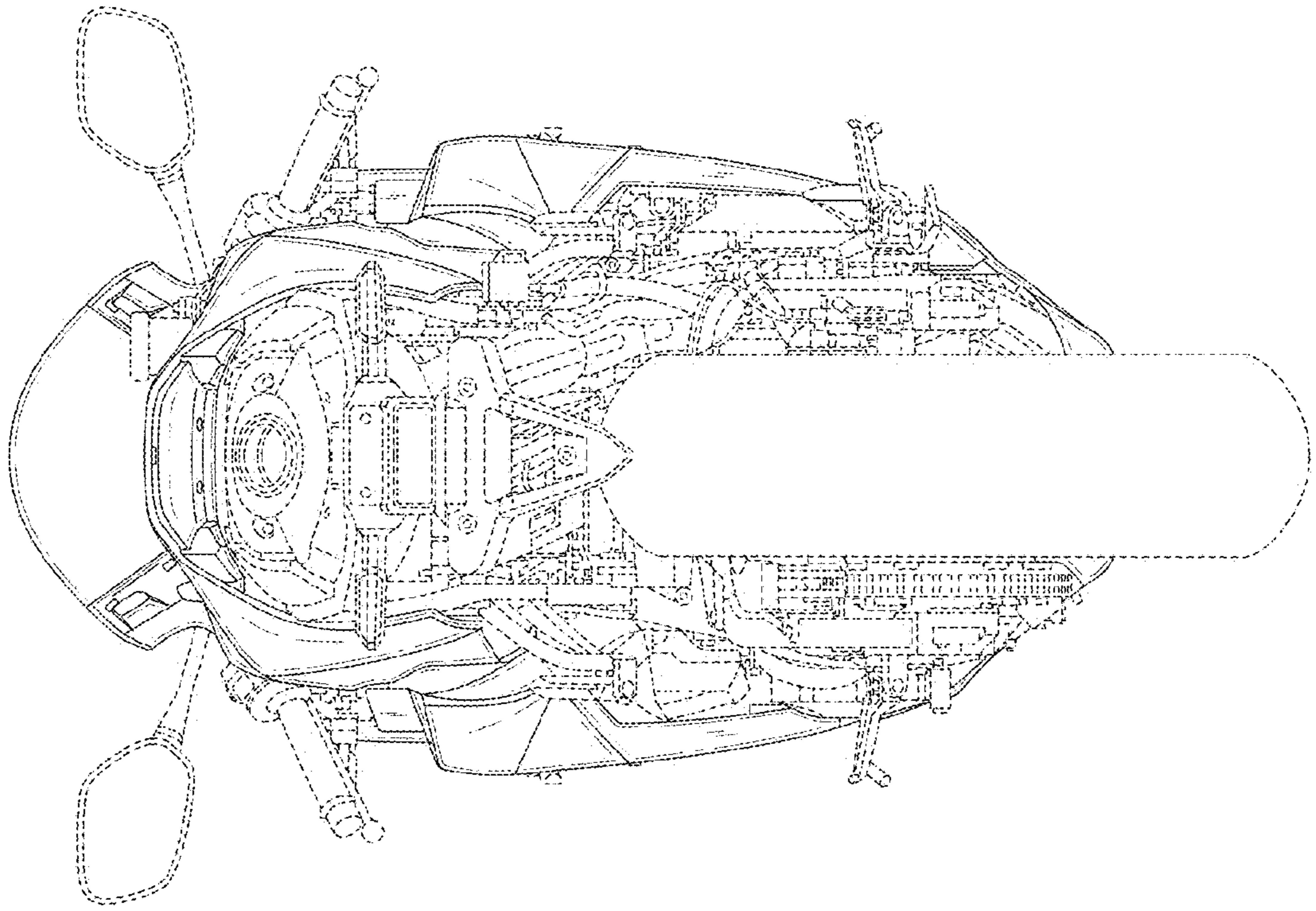


Fig.4

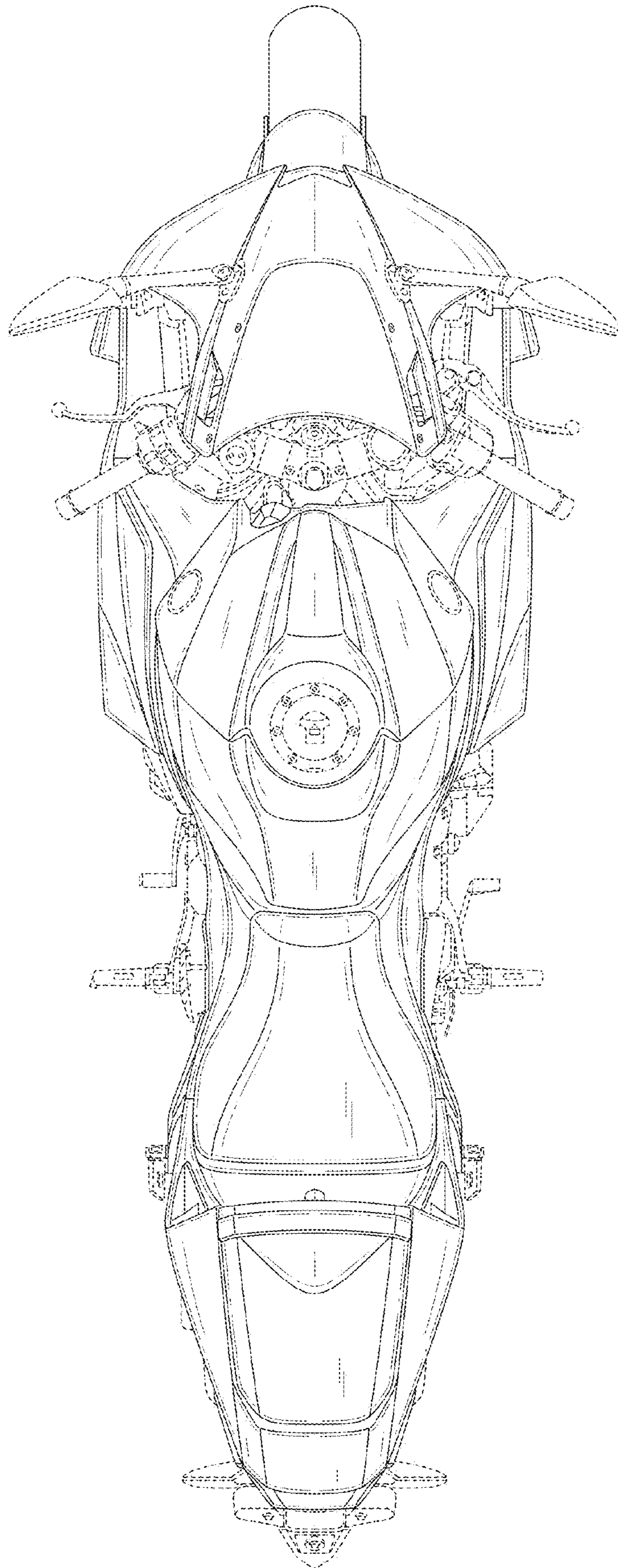


Fig.5

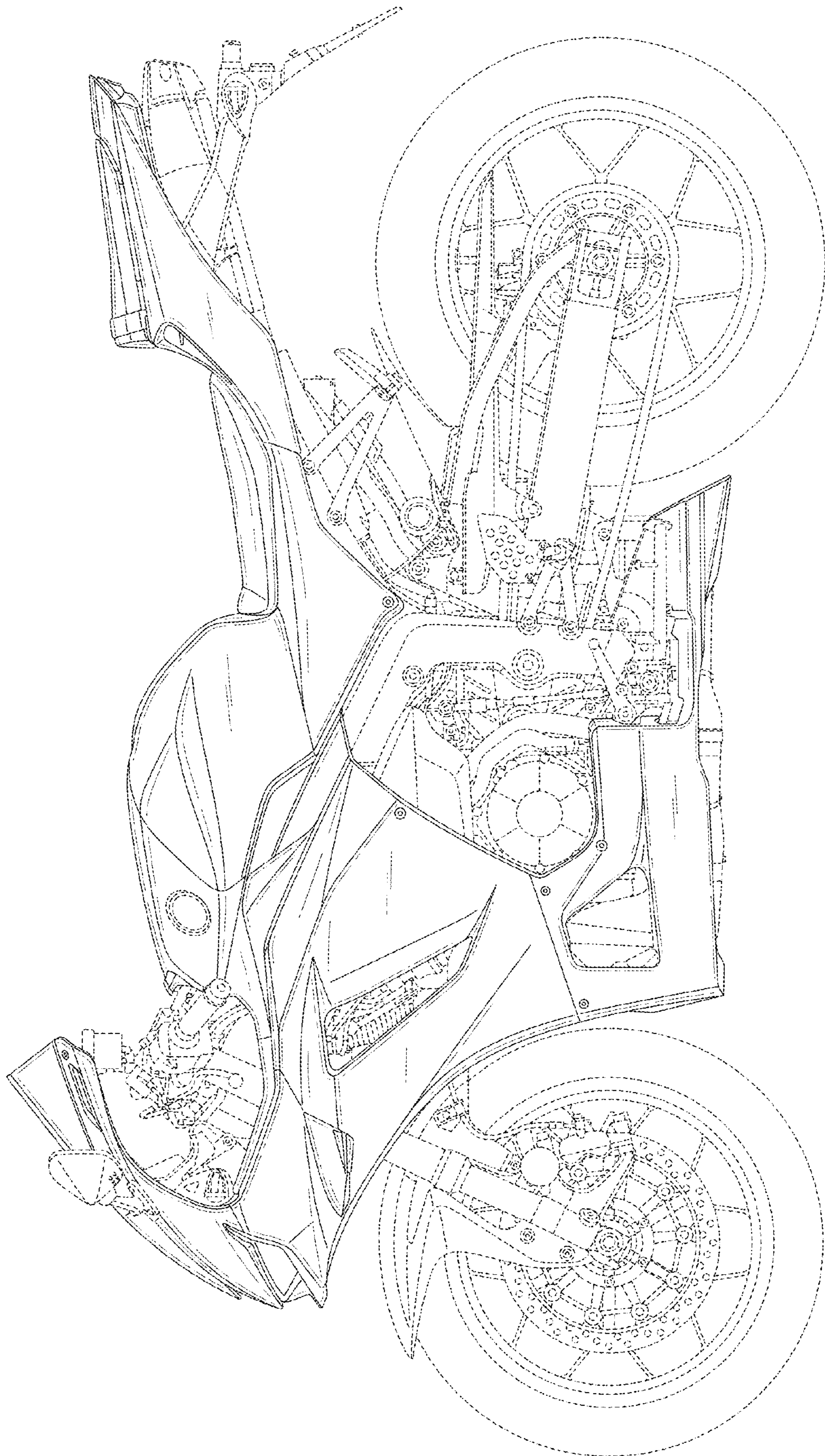


Fig.6

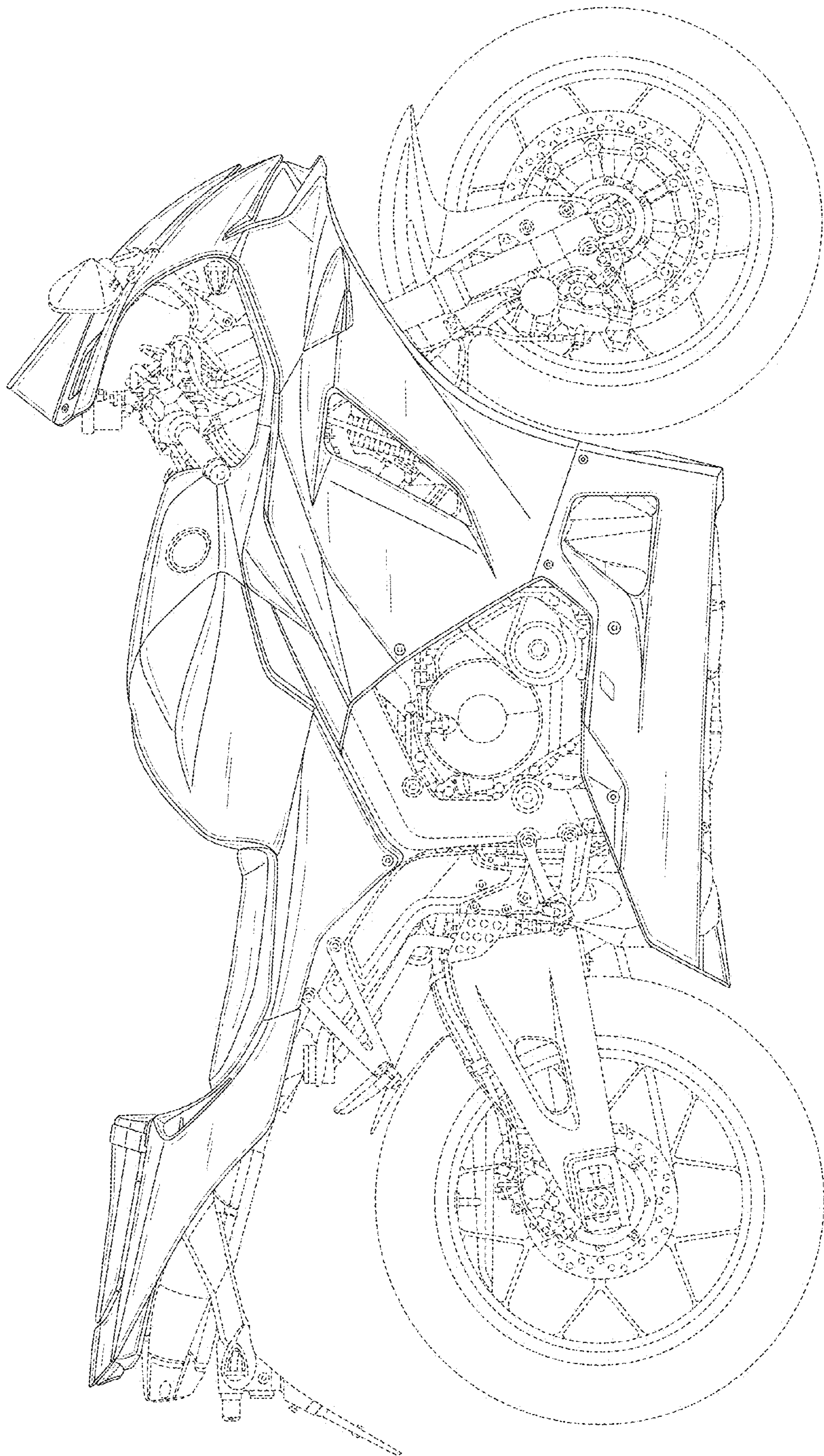


Fig.7