



US00D936522S

(12) **United States Design Patent**
Zhang

(10) **Patent No.:** **US D936,522 S**

(45) **Date of Patent:** **** Nov. 23, 2021**

(54) **TOWABLE CAMPER**

(71) Applicant: **ANHUI YIFEI MACHINERY CO., LTD**, Guangde (CN)

(72) Inventor: **Xuefei Zhang**, Guangde (CN)

(73) Assignee: **ANHUI YIFEI MACHINERY CO., LTD**, Guangde (CN)

(**) Term: **15 Years**

(21) Appl. No.: **29/737,048**

(22) Filed: **Jun. 4, 2020**

(30) **Foreign Application Priority Data**

May 13, 2020 (CN) 202030218127.7

(51) **LOC (13) Cl.** **12-16**

(52) **U.S. Cl.**
USPC **D12/103**

(58) **Field of Classification Search**

USPC D12/19, 121, 100-106, 111-112;
D21/425, 435; D34/21-26, 12, 16-19

CPC .. B62D 35/00; B62D 33/077; B62D 33/0612;
B62D 24/04; B60P 3/10; B60P 3/1033;
B60P 3/0257; B60P 3/38; B60P 3/34;
E01F 15/14

See application file for complete search history.

(56) **References Cited**

U.S. PATENT DOCUMENTS

D543,902 S * 6/2007 Kelly D12/103
D568,793 S * 5/2008 Oliver D12/103

D617,685 S * 6/2010 Rodabaugh D12/103
D689,402 S * 9/2013 Lee D12/103
D707,591 S * 6/2014 Sands D12/103
D833,915 S * 11/2018 Tatro D12/103
D851,194 S * 6/2019 Kidson D21/835
D854,453 S * 7/2019 Roberts D12/103
D864,035 S * 10/2019 Hill D12/103
D864,791 S * 10/2019 Roberts D12/103
D867,934 S * 11/2019 Gaesser D12/103
D879,666 S * 3/2020 Gerzeny D12/103
D886,682 S * 6/2020 Matthews D12/103

* cited by examiner

Primary Examiner — Katrina A Betton

(74) *Attorney, Agent, or Firm* — Bayramoglu Law Offices LLC

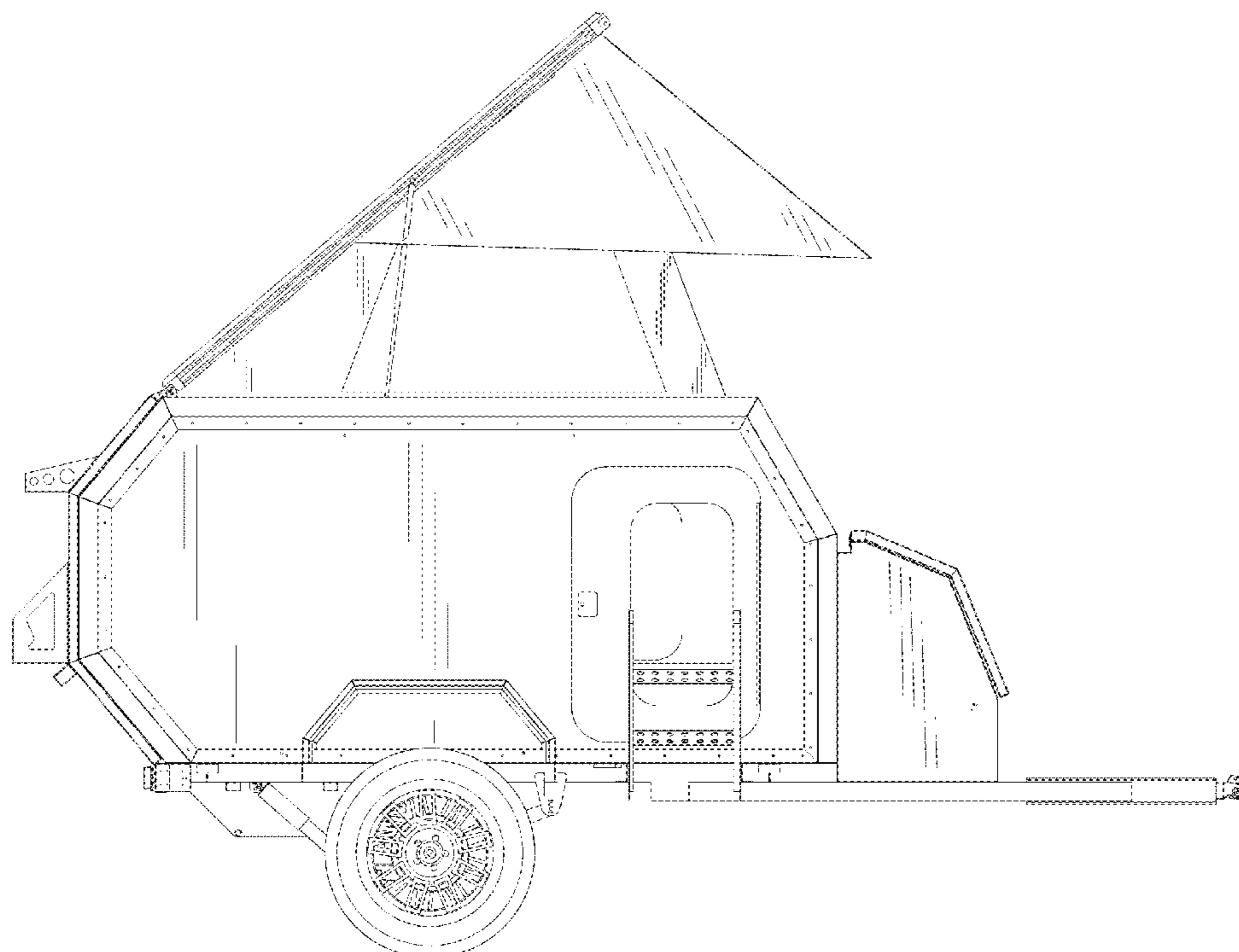
(57) **CLAIM**

The ornamental design for towable camper, as shown and described.

DESCRIPTION

FIG. 1 is a right perspective view of a towable camper showing the new design;
FIG. 2 is a left perspective view thereof;
FIG. 3 is a front view thereof;
FIG. 4 is a rear view thereof;
FIG. 5 is a left side view thereof;
FIG. 6 is a right side view thereof;
FIG. 7 is a top view thereof; and,
FIG. 8 is a bottom view thereof.

1 Claim, 8 Drawing Sheets



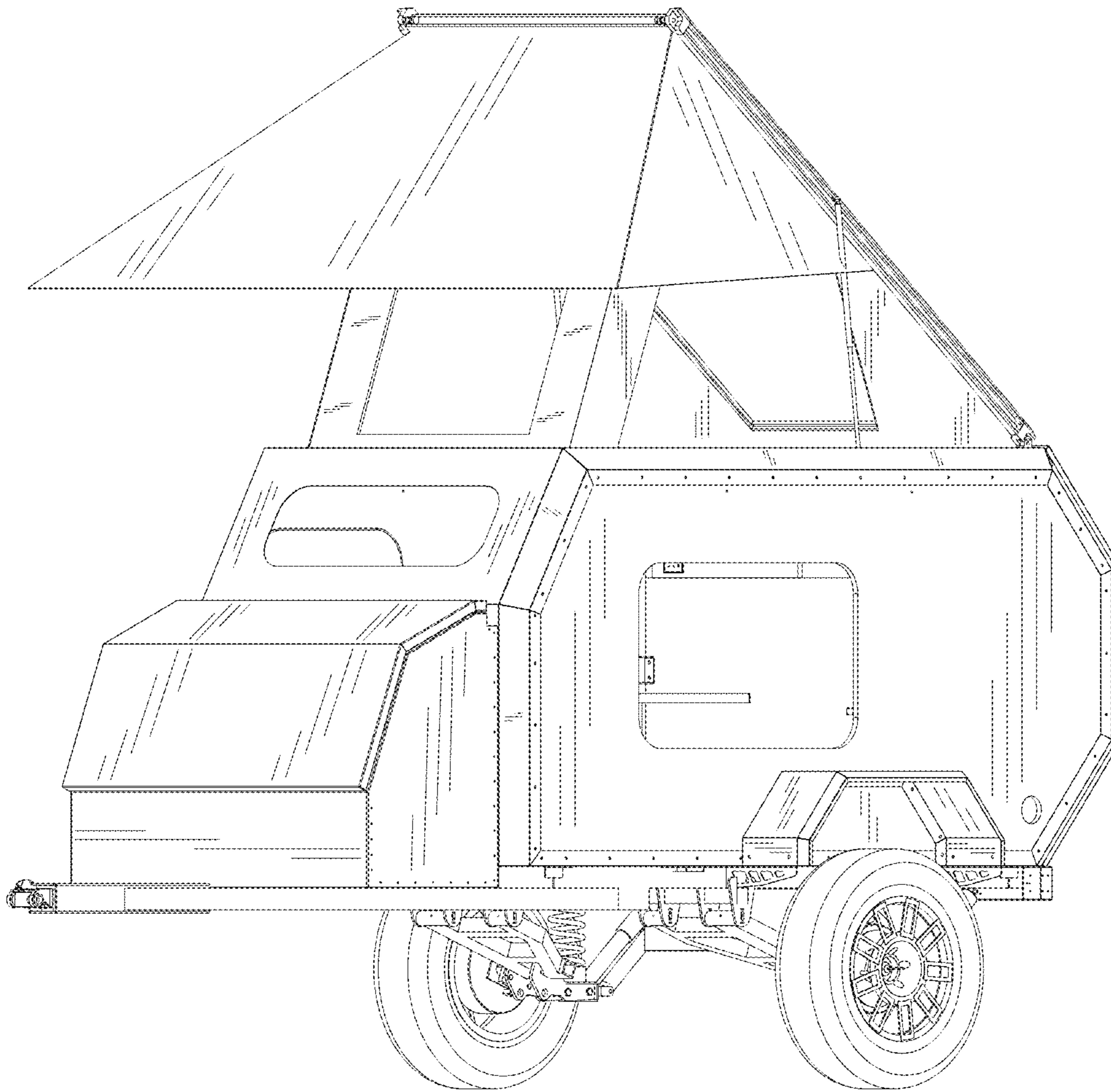


FIG. 1

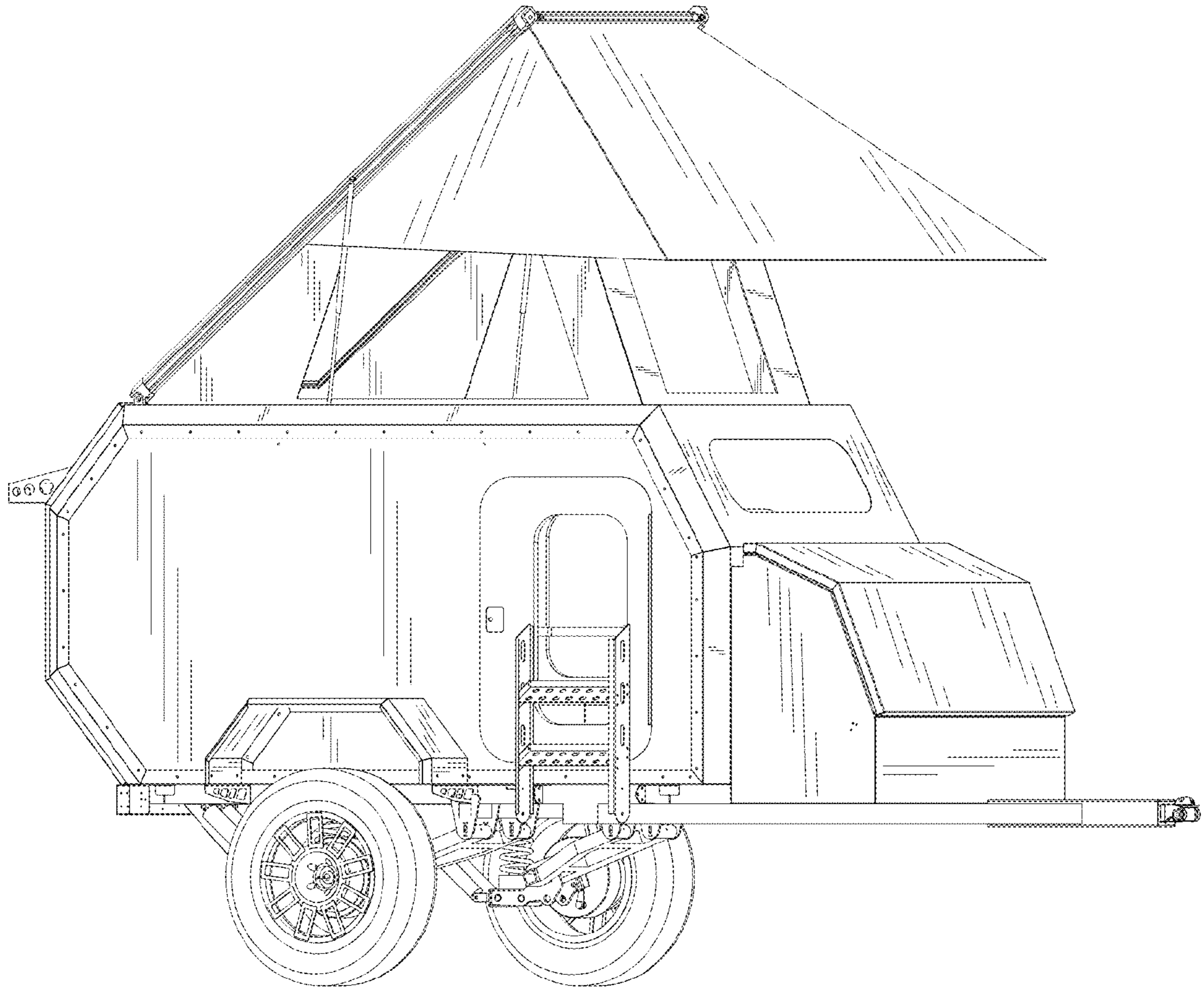


FIG. 2

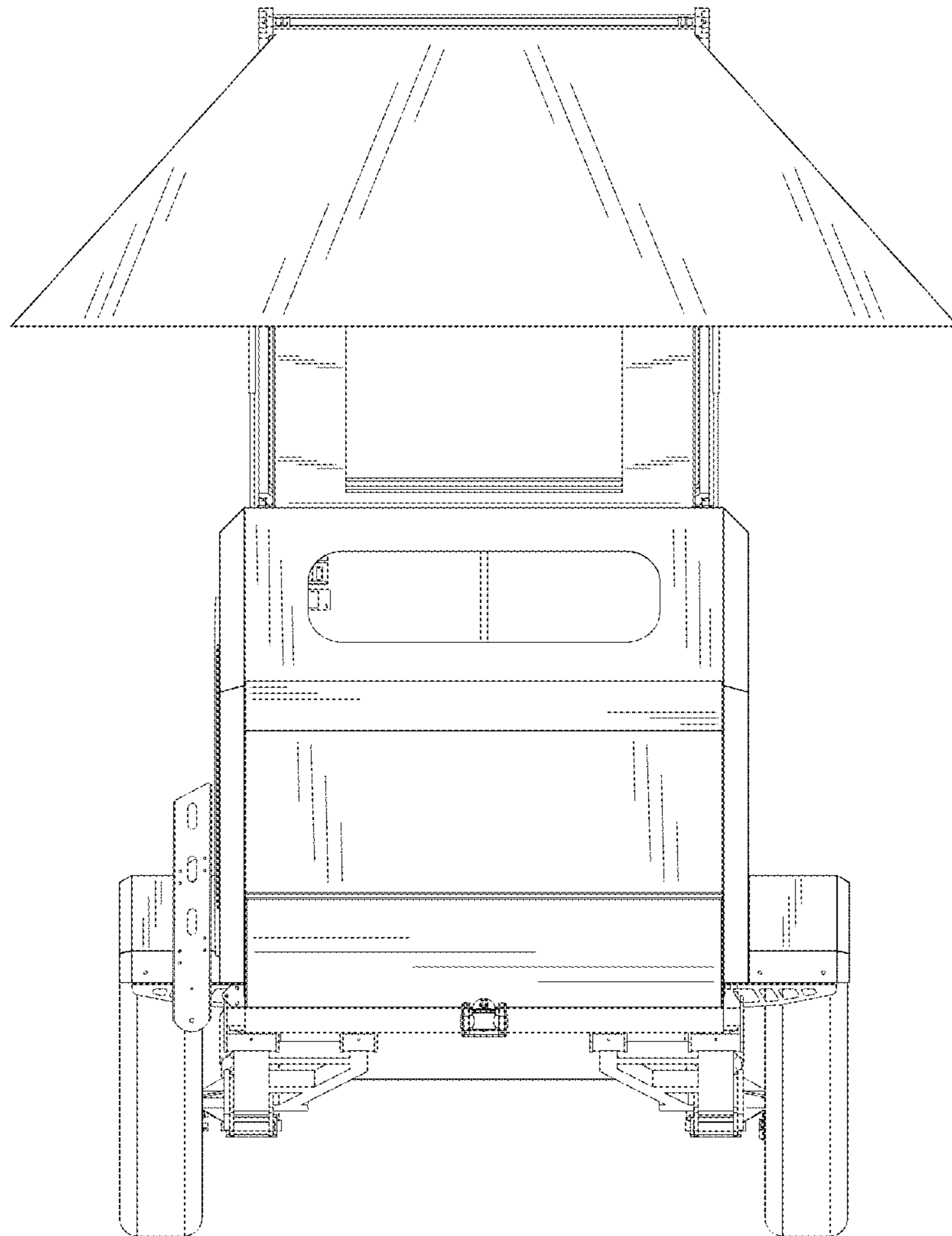


FIG. 3

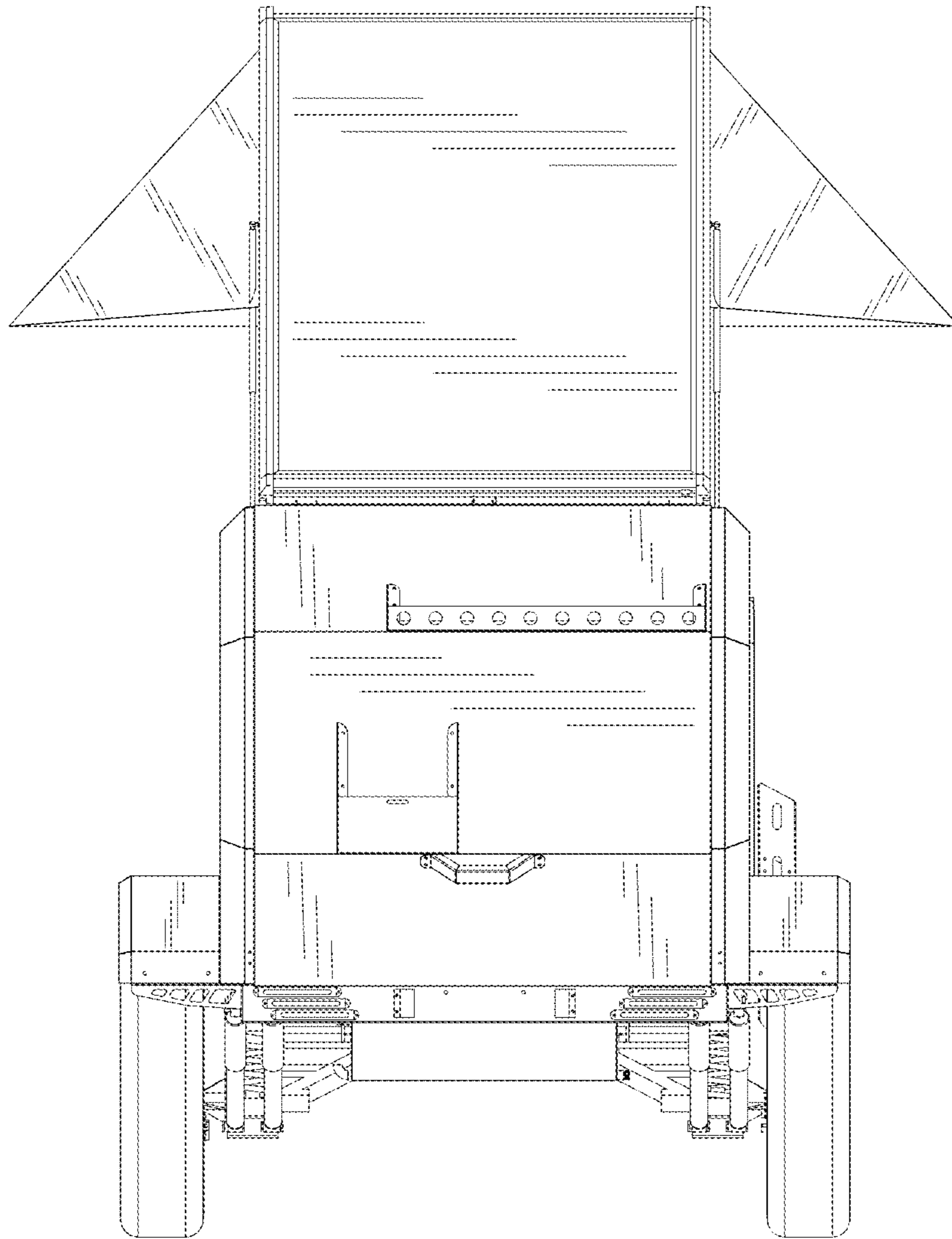


FIG. 4

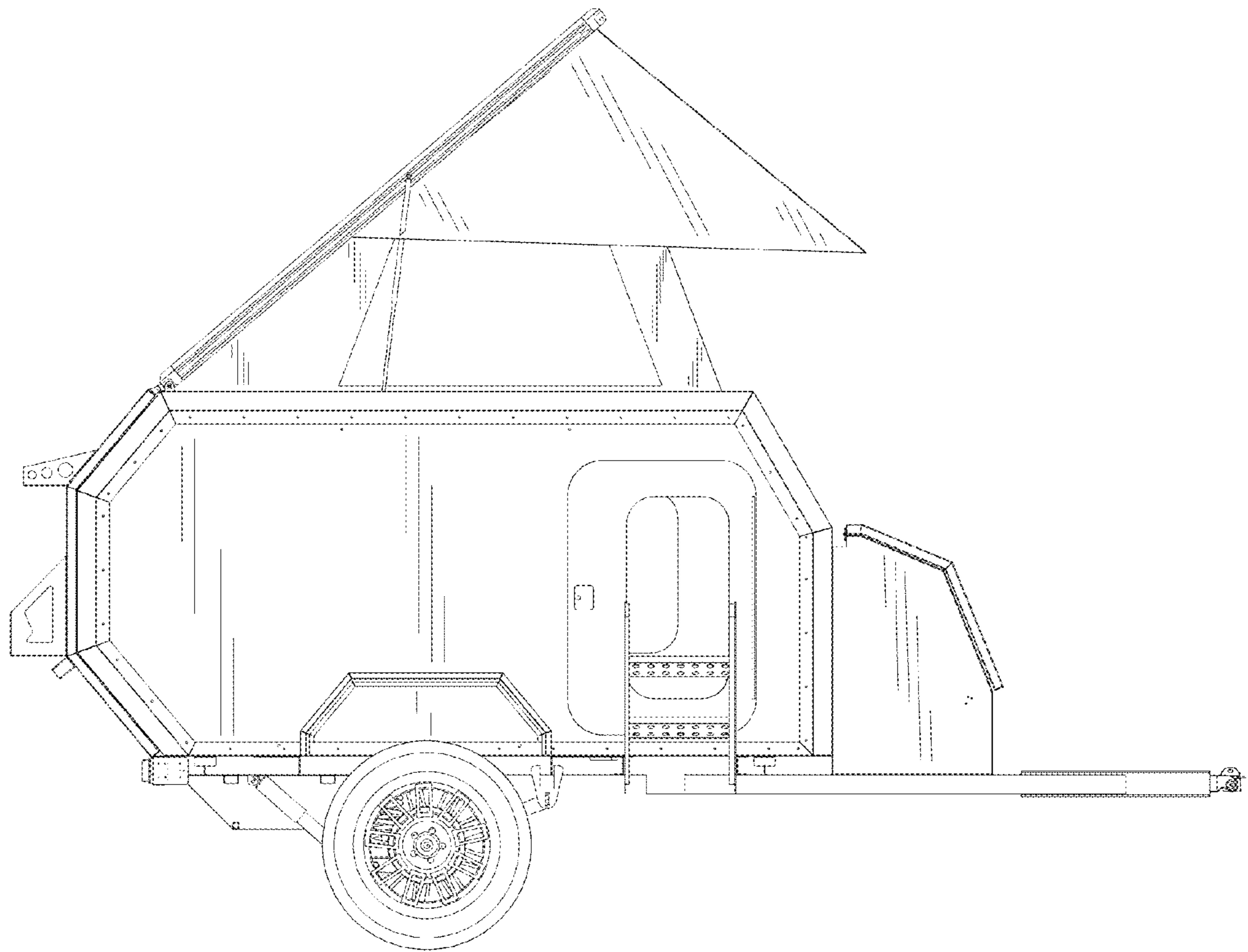


FIG. 5

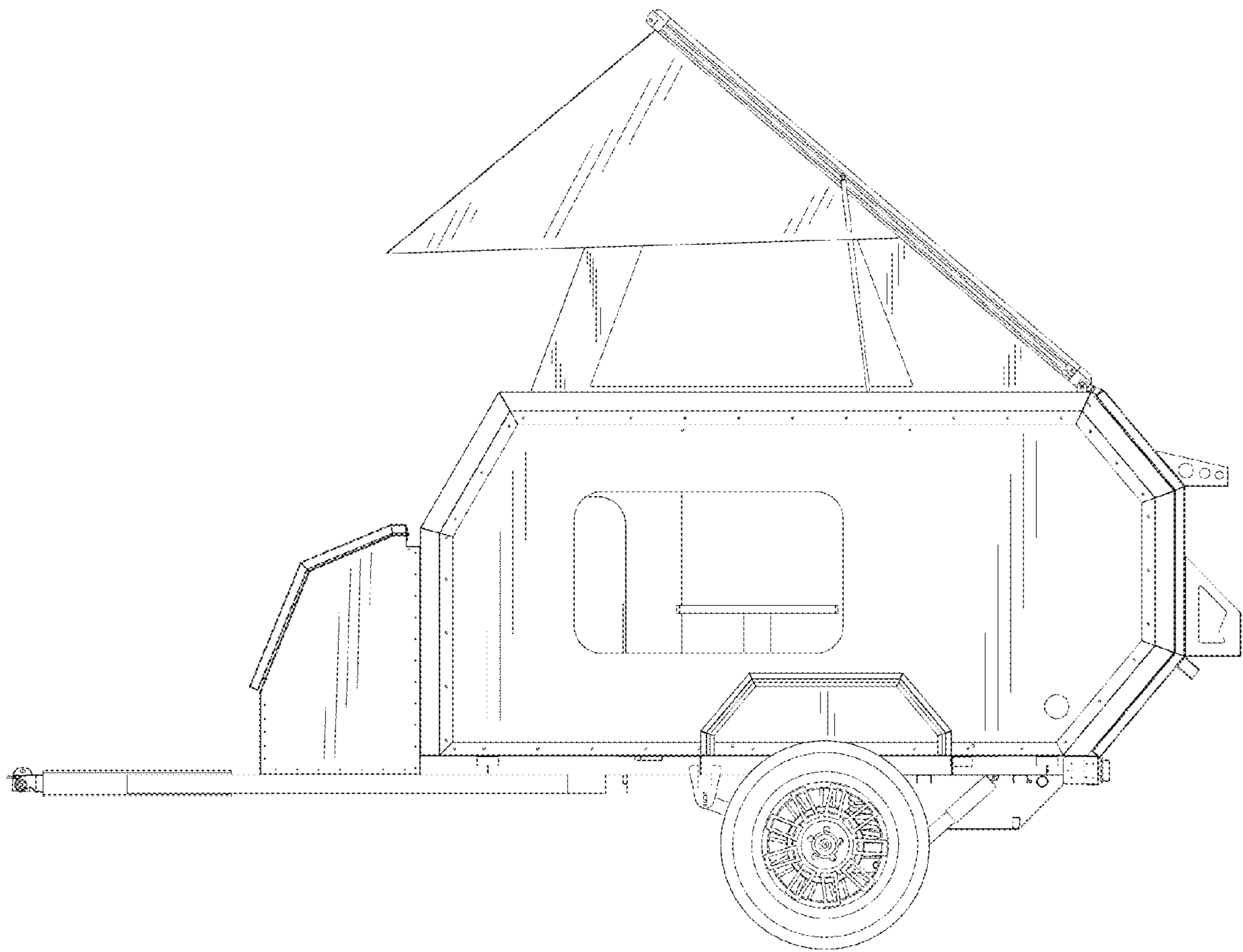


FIG. 6

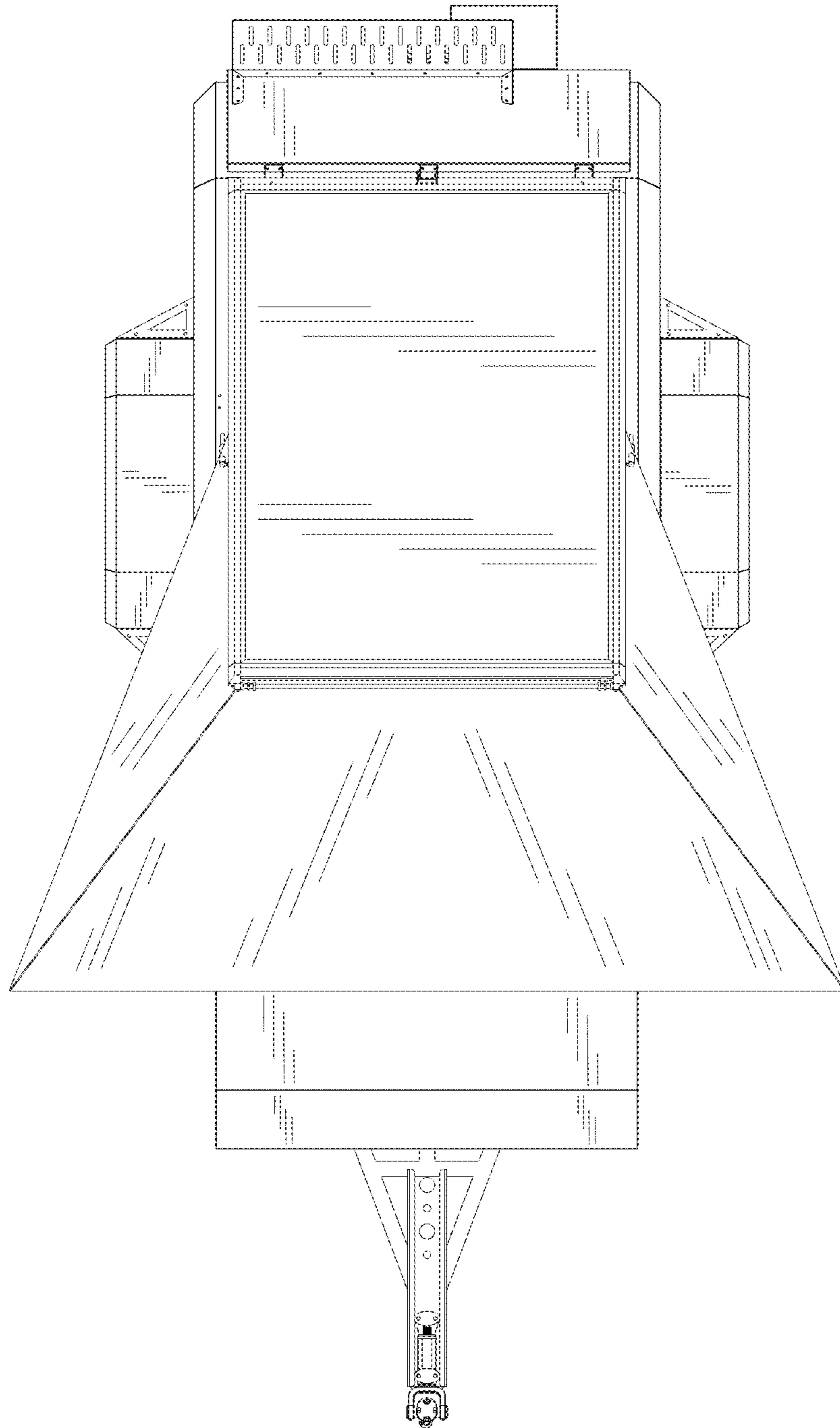


FIG. 7

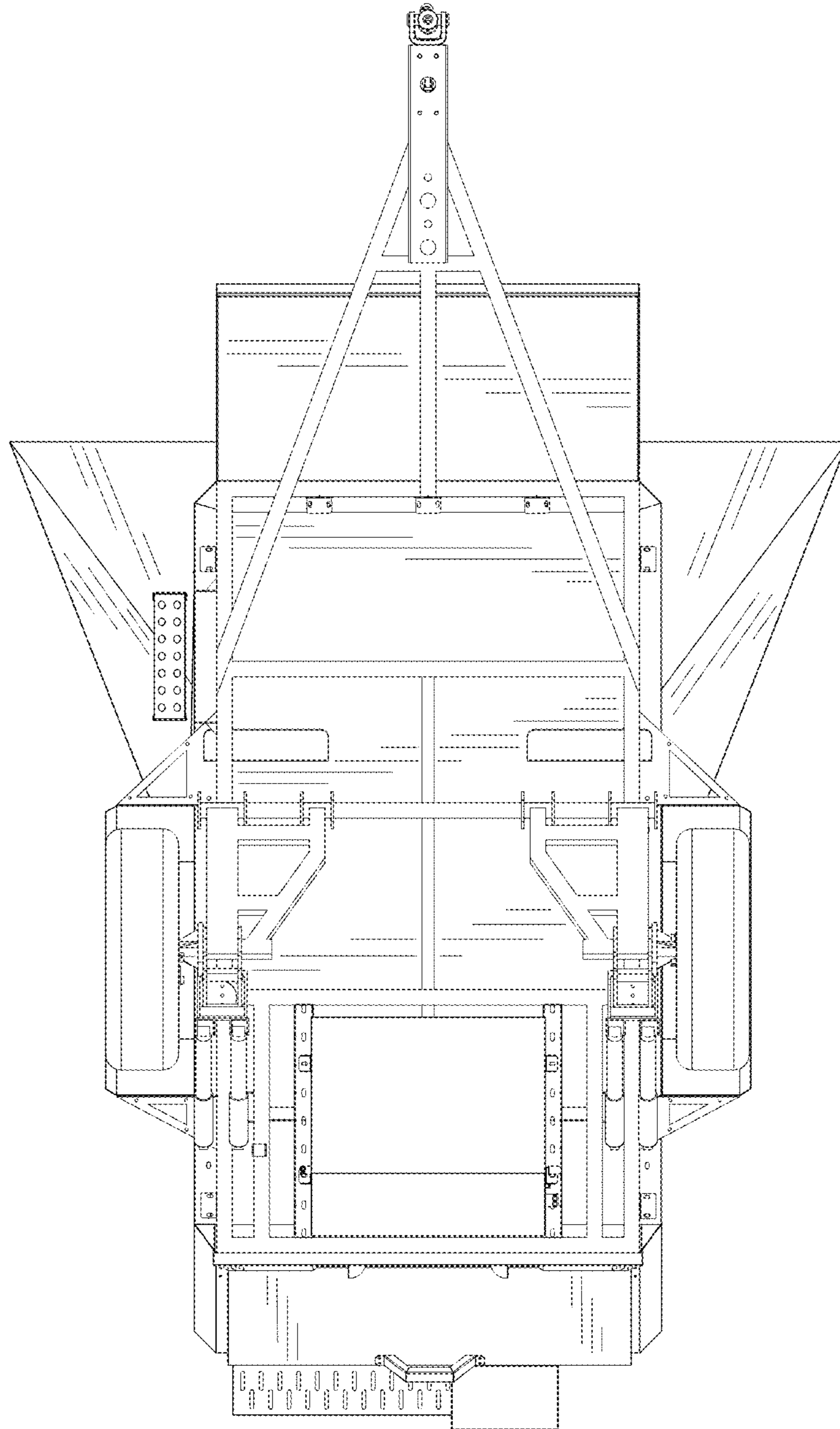


FIG. 8