



US00D936520S

(12) **United States Design Patent**
Wydner

(10) **Patent No.:** **US D936,520 S**

(45) **Date of Patent:** **** Nov. 23, 2021**

(54) **CART**

(71) Applicant: **John Doyle Wydner**, Danville, AL
(US)

(72) Inventor: **John Doyle Wydner**, Danville, AL
(US)

(**) Term: **15 Years**

(21) Appl. No.: **29/746,192**

(22) Filed: **Aug. 12, 2020**

(51) **LOC (13) Cl.** **12-16**

(52) **U.S. Cl.**
USPC **D12/101**

(58) **Field of Classification Search**
USPC D12/19, 121, 100-106, 111-112;
D21/425, 435; D34/21-26, 12, 16-19
CPC .. B62D 35/00; B62D 33/077; B62D 33/0612;
B62D 24/04; B60P 3/10; B60P 3/1033;
B60P 3/0257; B60P 3/38; B60P 3/34;
E01F 15/14
See application file for complete search history.

(56) **References Cited**

U.S. PATENT DOCUMENTS

D869,993 S * 12/2019 Sagen D12/101
D873,720 S * 1/2020 Carter D12/101
D893,357 S * 8/2020 Butler D12/101
D902,082 S * 11/2020 Sweeney D12/101
D924,524 S * 7/2021 Powell B60P 1/43
D34/12
D925,154 S * 7/2021 Xing E21B 43/2607
D34/17

D927,116 S * 8/2021 Demartini B60J 7/102
D34/12
D927,818 S * 8/2021 Li B60J 7/062
D34/21
D928,665 S * 8/2021 Williams D12/101
D929,067 S * 8/2021 Kowalski B62D 33/0222
D34/24
D930,314 S * 9/2021 Huang B62D 29/008
D34/17
2006/0001230 A1* 1/2006 Finch B62K 27/04
280/204
2018/0346042 A1* 12/2018 Elliott B62D 63/08

* cited by examiner

Primary Examiner — Katrina A Betton

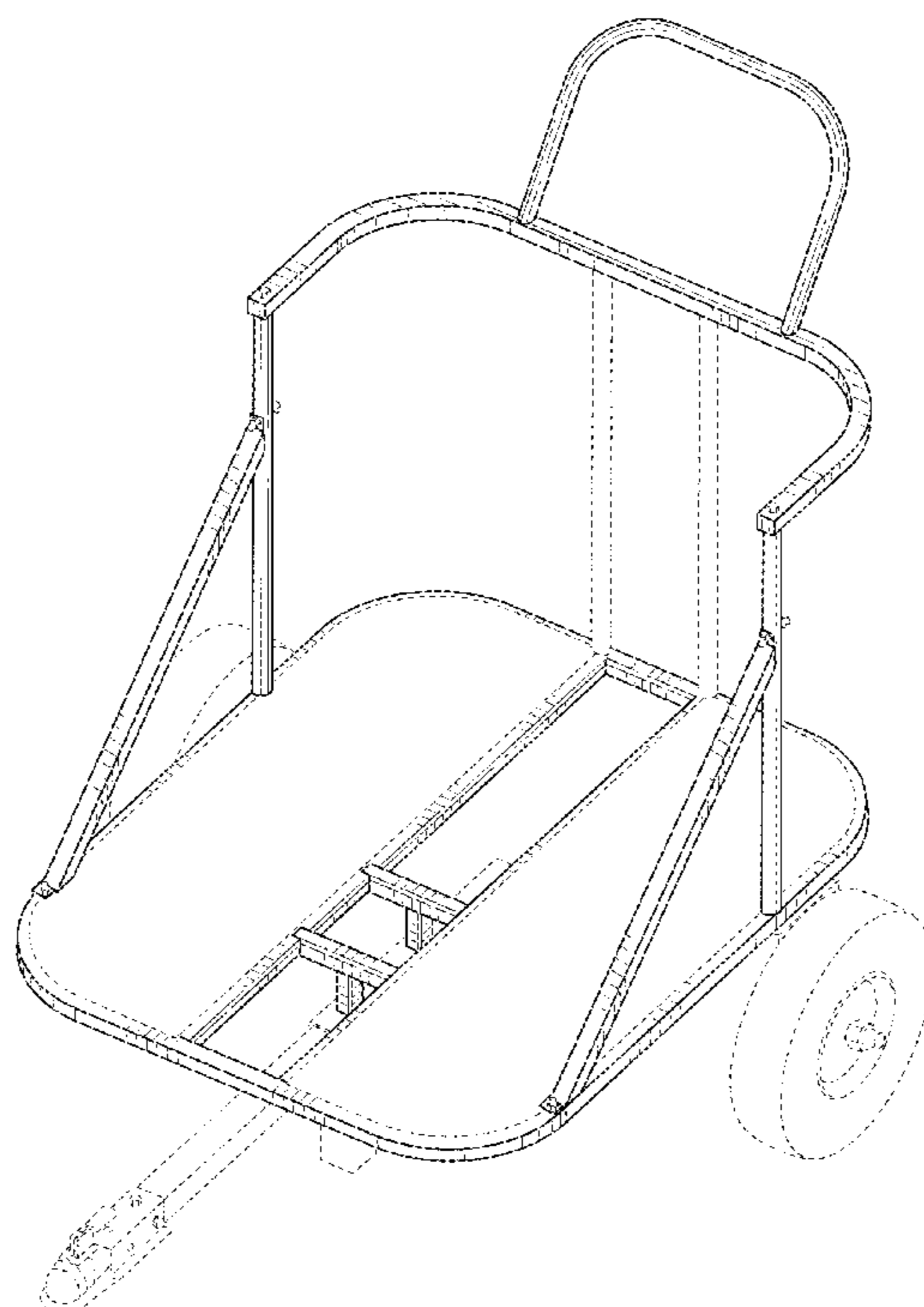
(57) **CLAIM**

The ornamental design for a cart, as shown and described.

DESCRIPTION

FIG. 1 is a front-top perspective view of a cart showing my new design;
FIG. 2 is a front-bottom perspective view thereof;
FIG. 3 is a rear-top perspective view thereof;
FIG. 4 is a rear-bottom perspective view thereof;
FIG. 5 is a front elevational view thereof;
FIG. 6 is a rear elevational view thereof;
FIG. 7 is a left elevational view thereof;
FIG. 8 is a right elevational view thereof;
FIG. 9 is a top plan view thereof;
FIG. 10 is a bottom plan view thereof; and,
FIG. 11 is a supplemental view of the cart with a tow hitch component in the retracted position.
The broken lines shown are for illustrative purposes only and form no part of the claimed design.

1 Claim, 11 Drawing Sheets



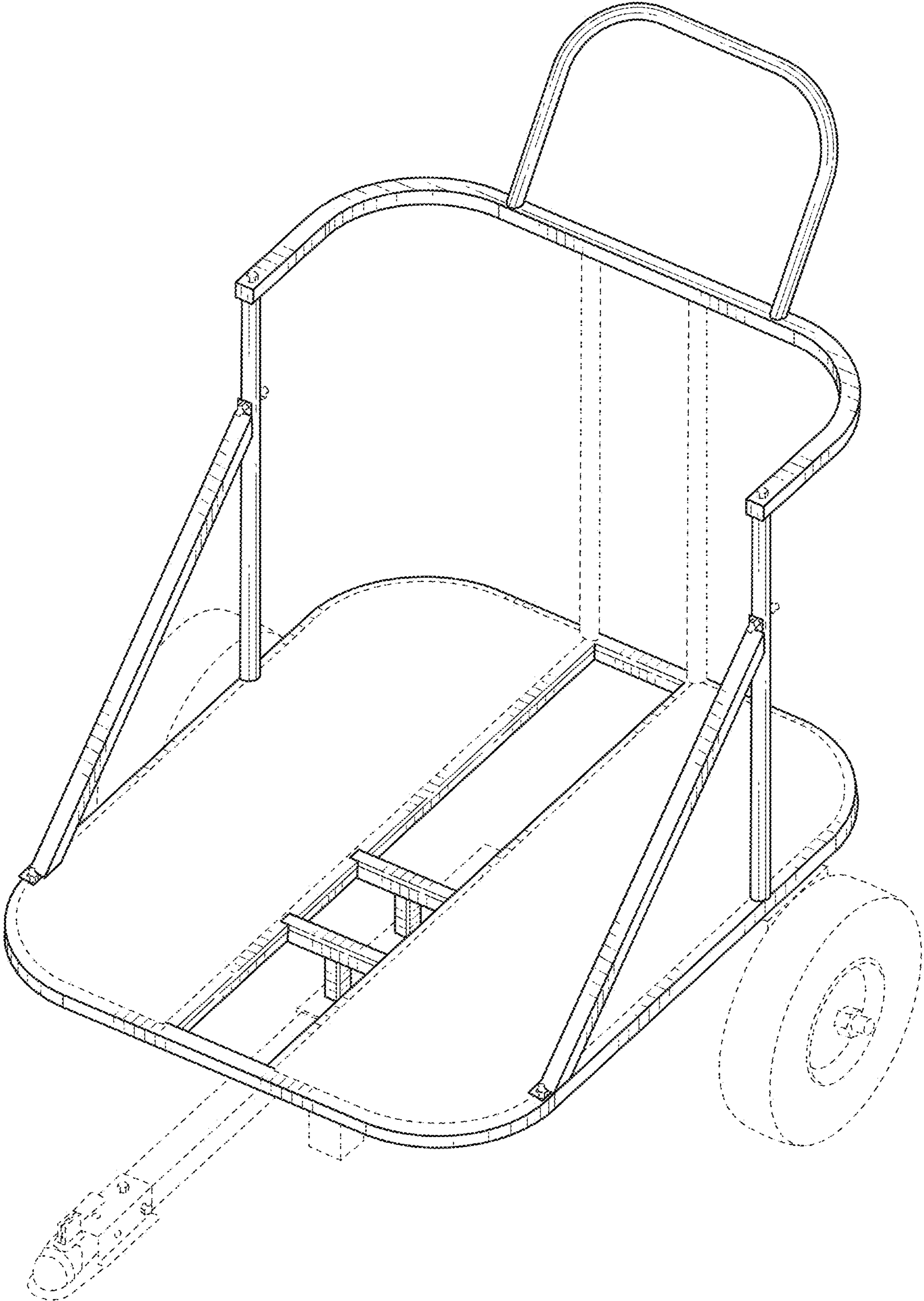


FIG. 1

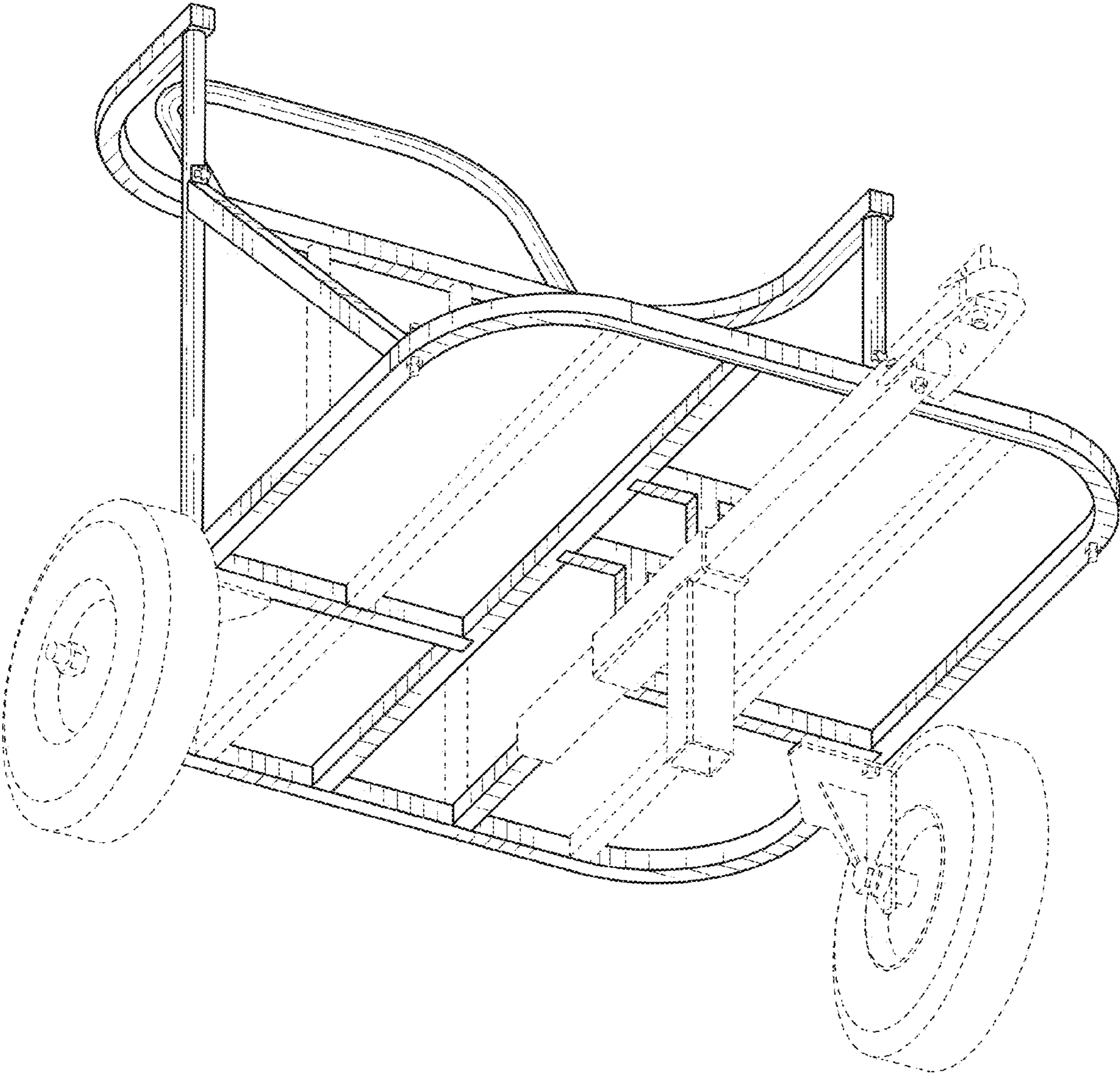


FIG. 2

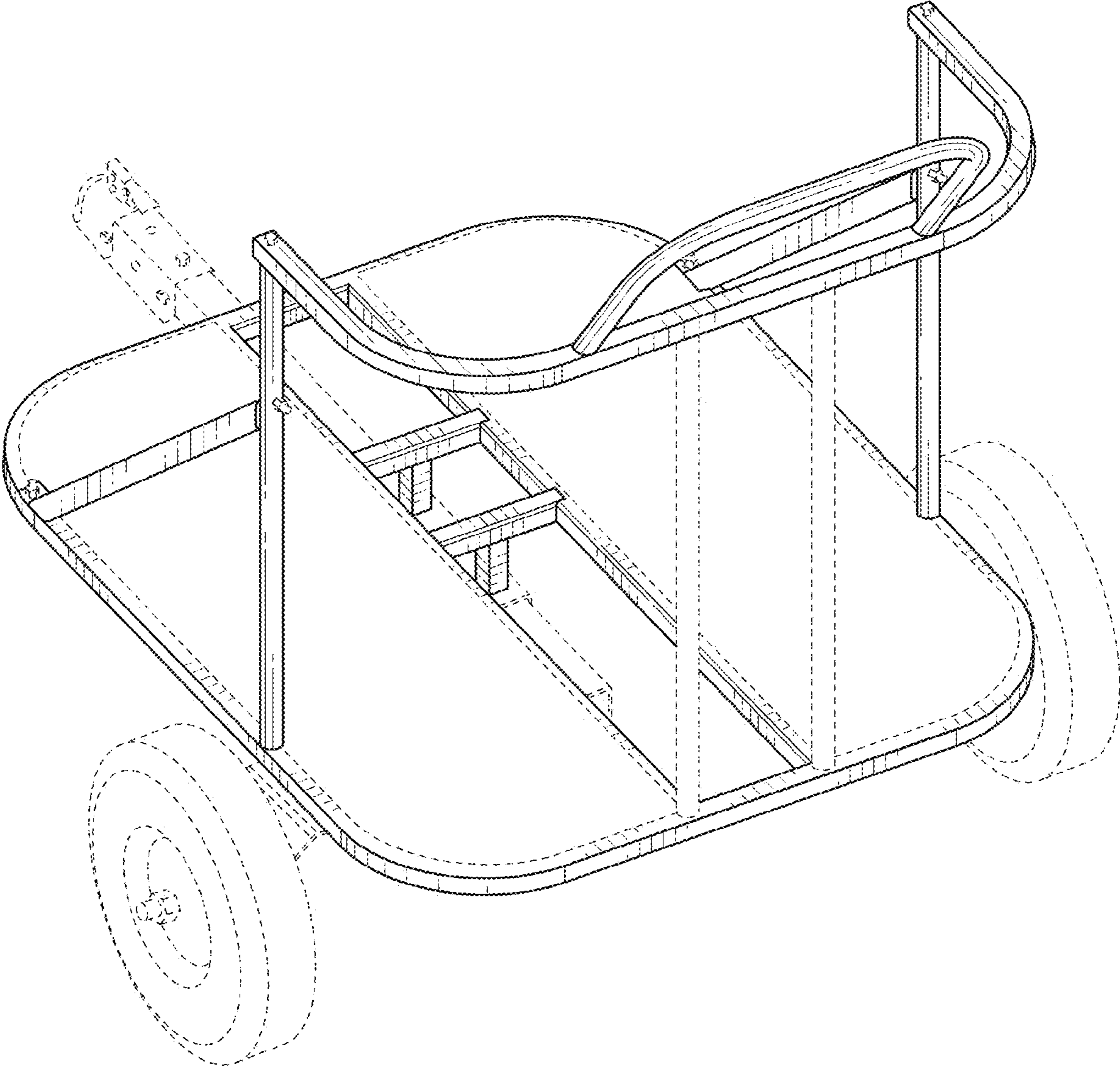


FIG. 3

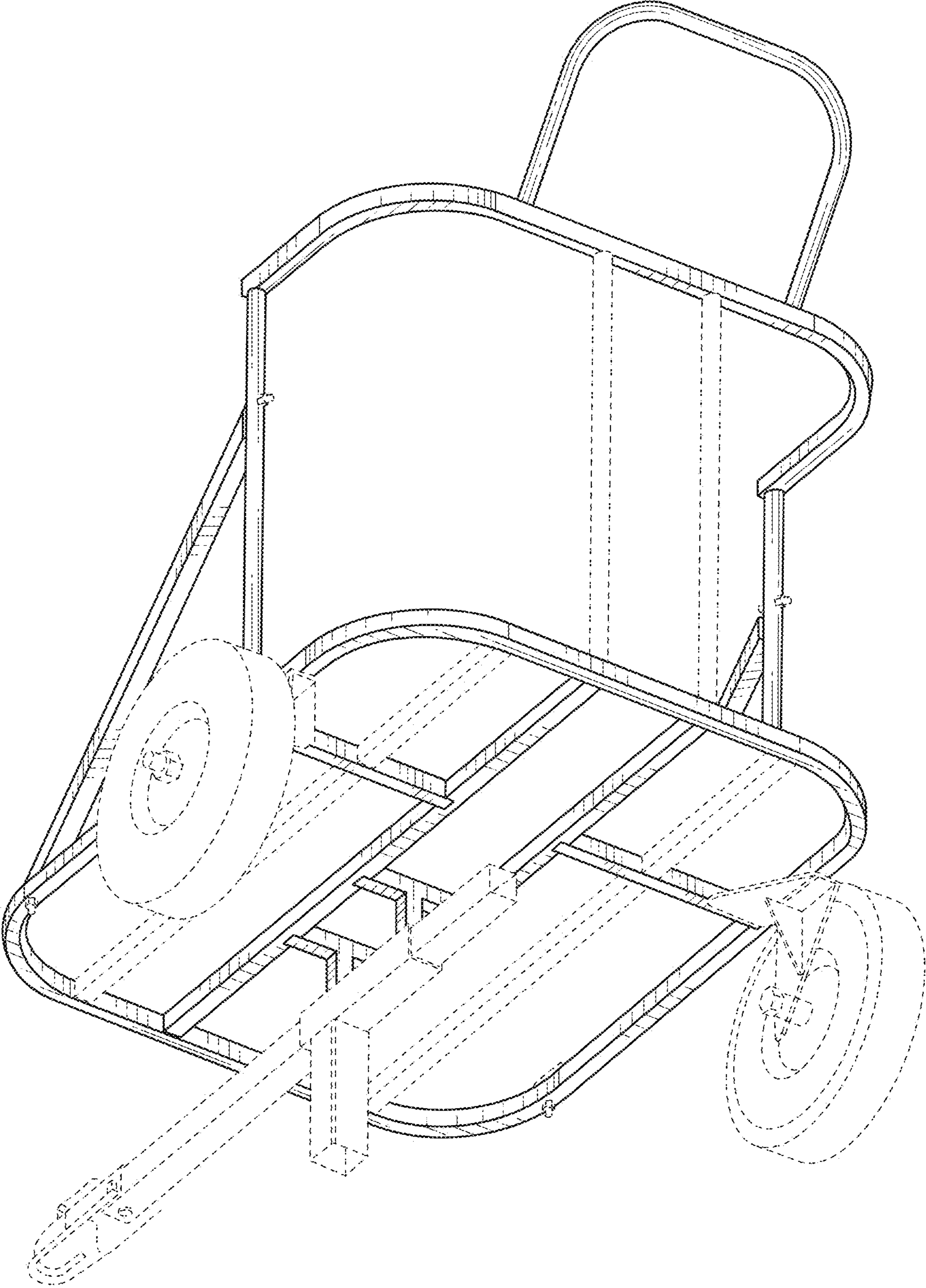


FIG. 4

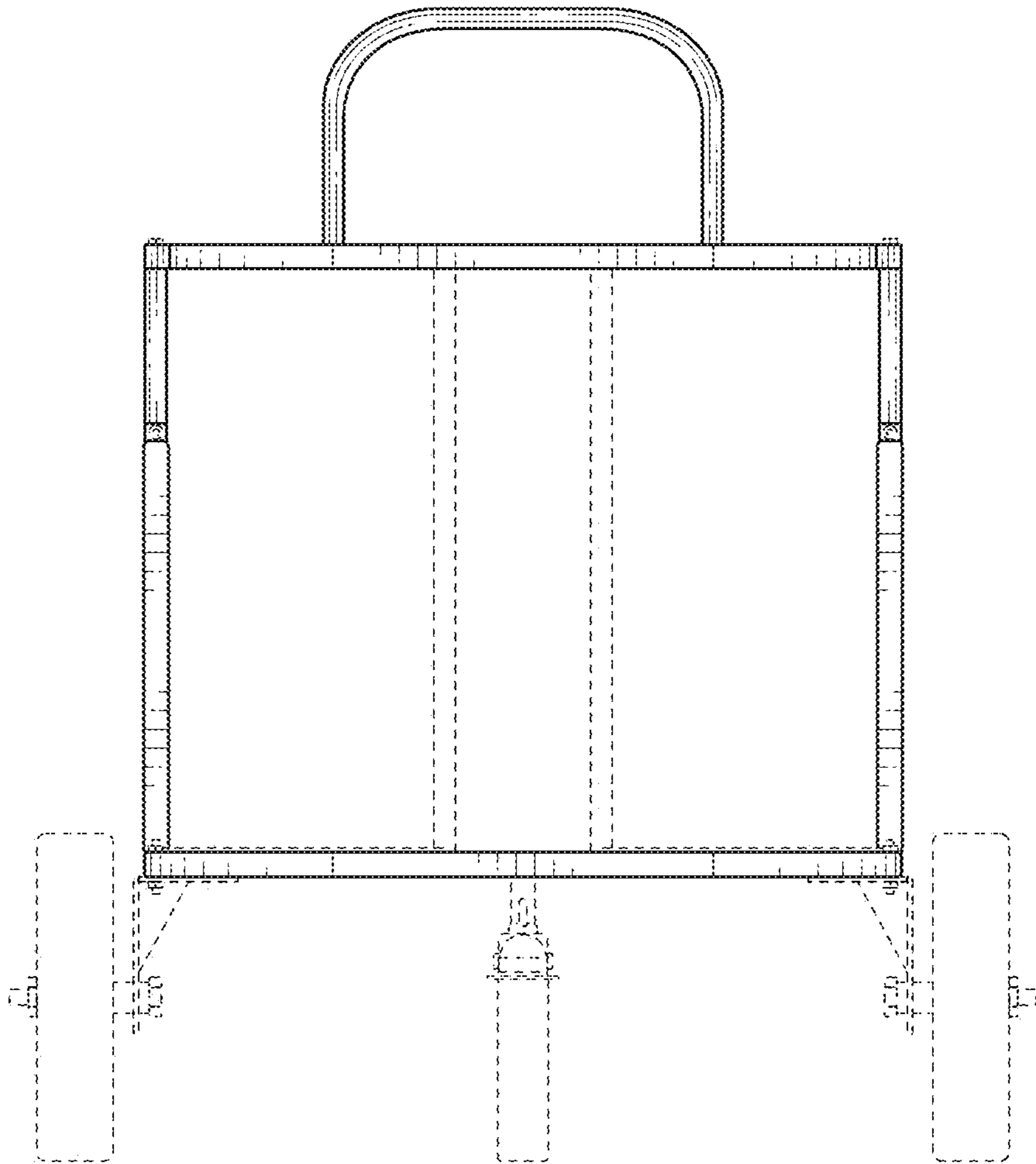


FIG. 5

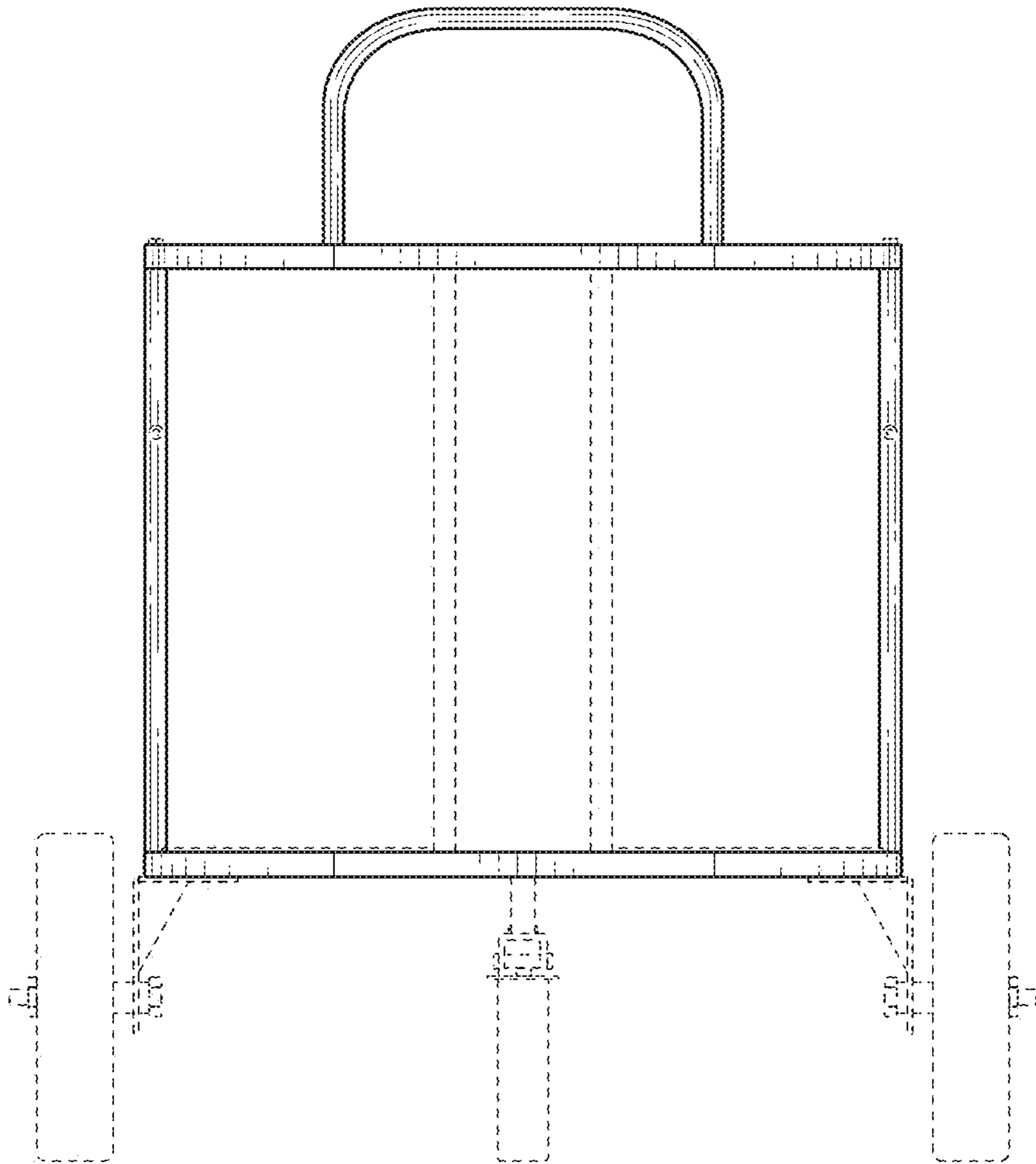


FIG. 6

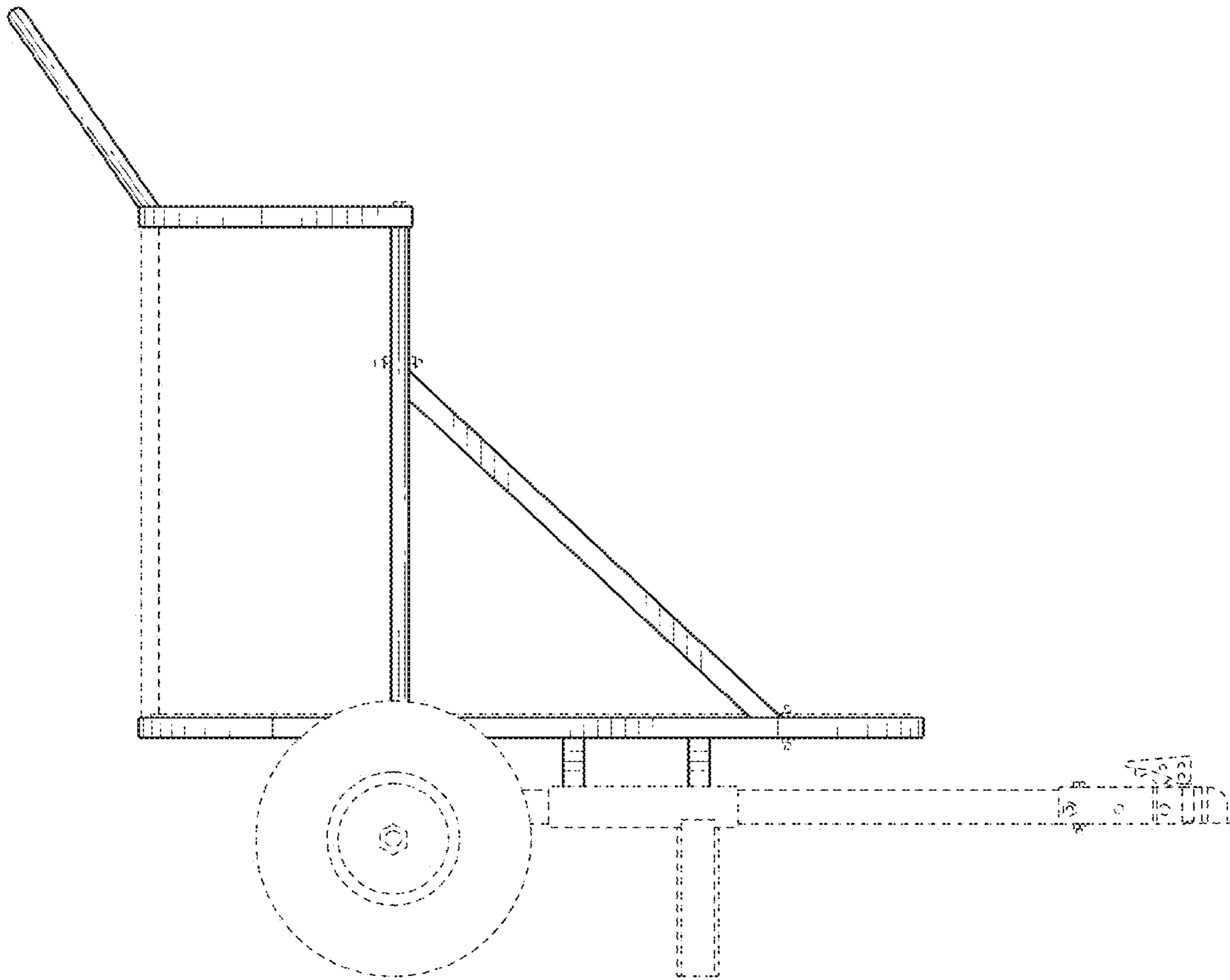


FIG. 7

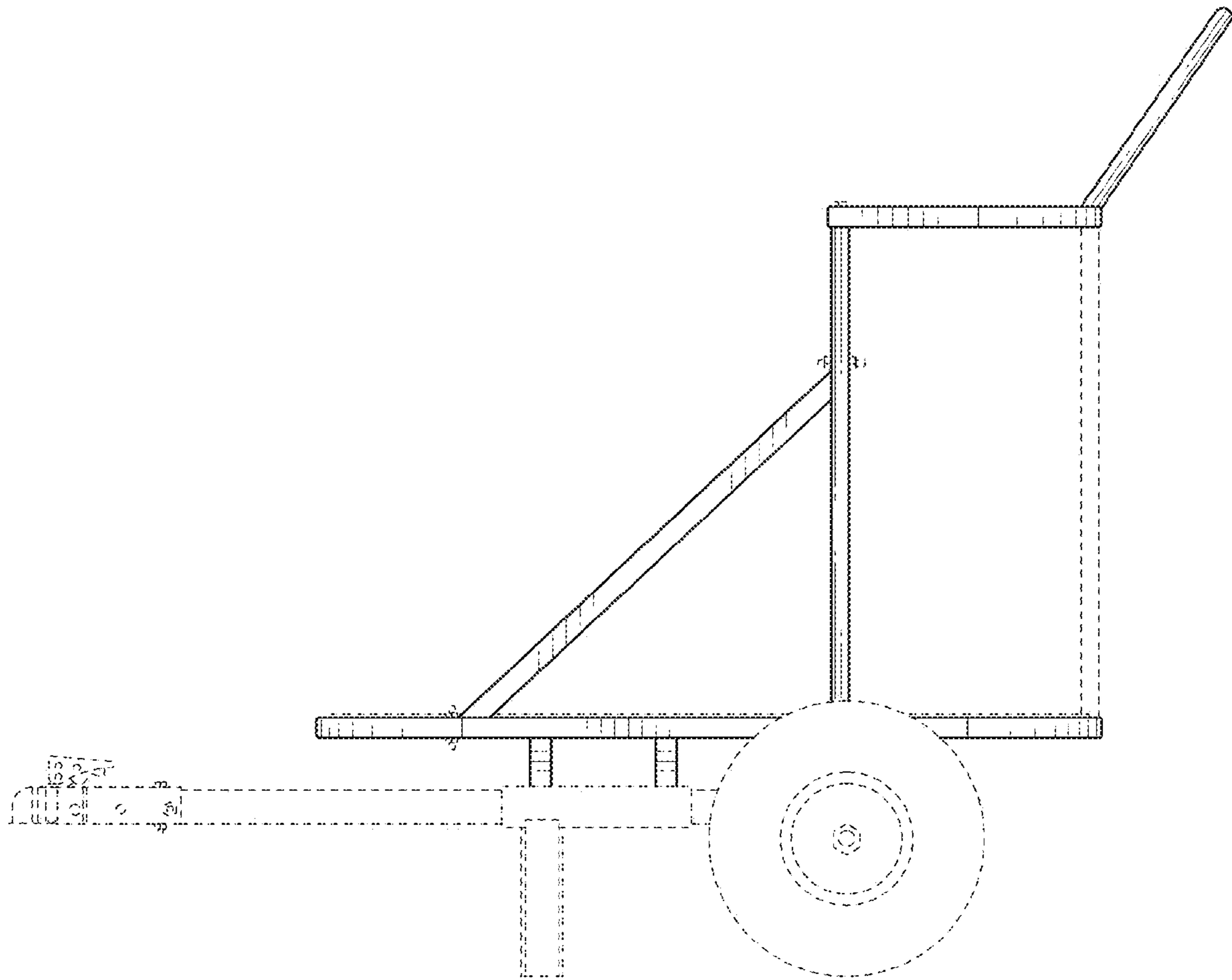


FIG. 8

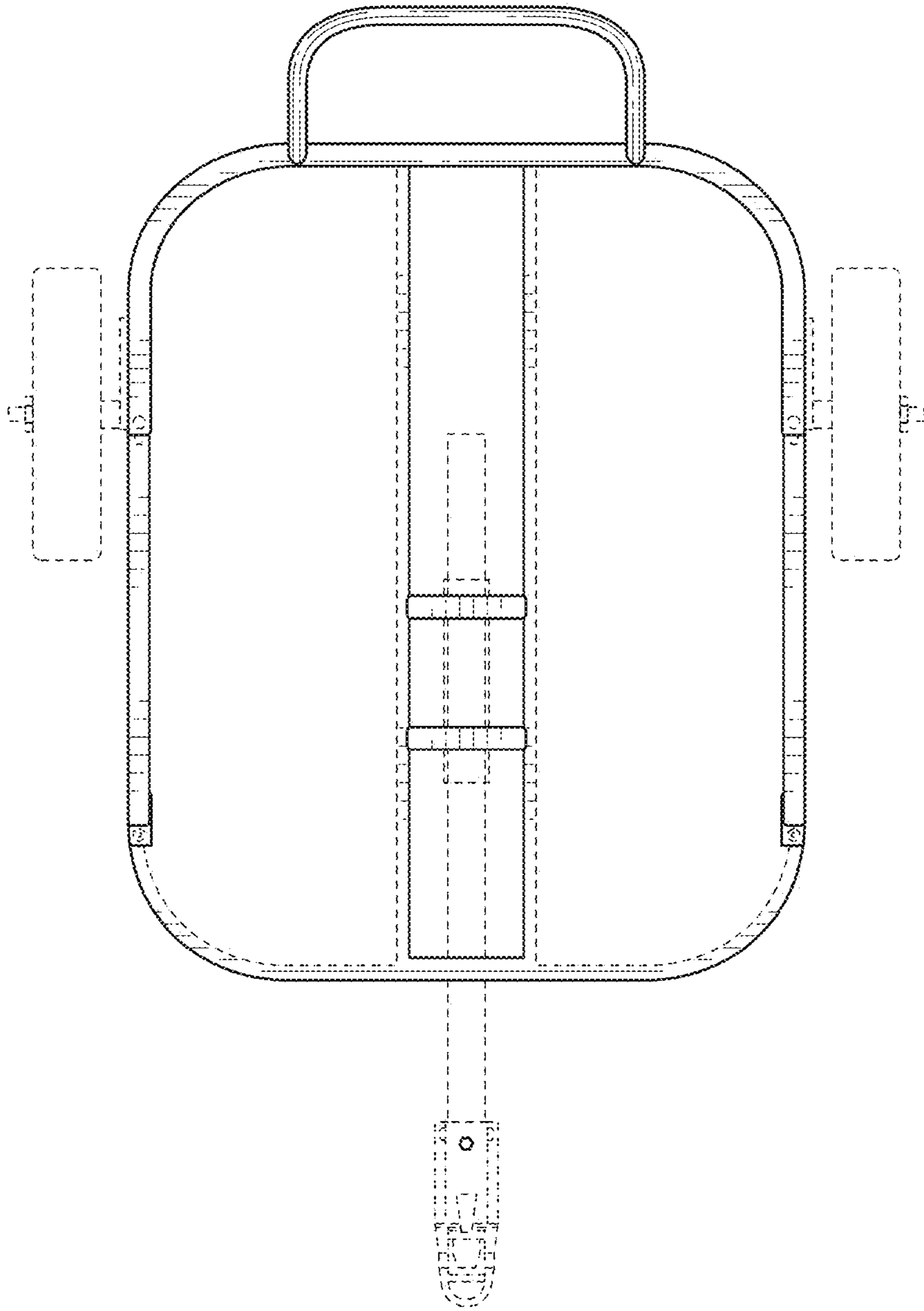


FIG. 9

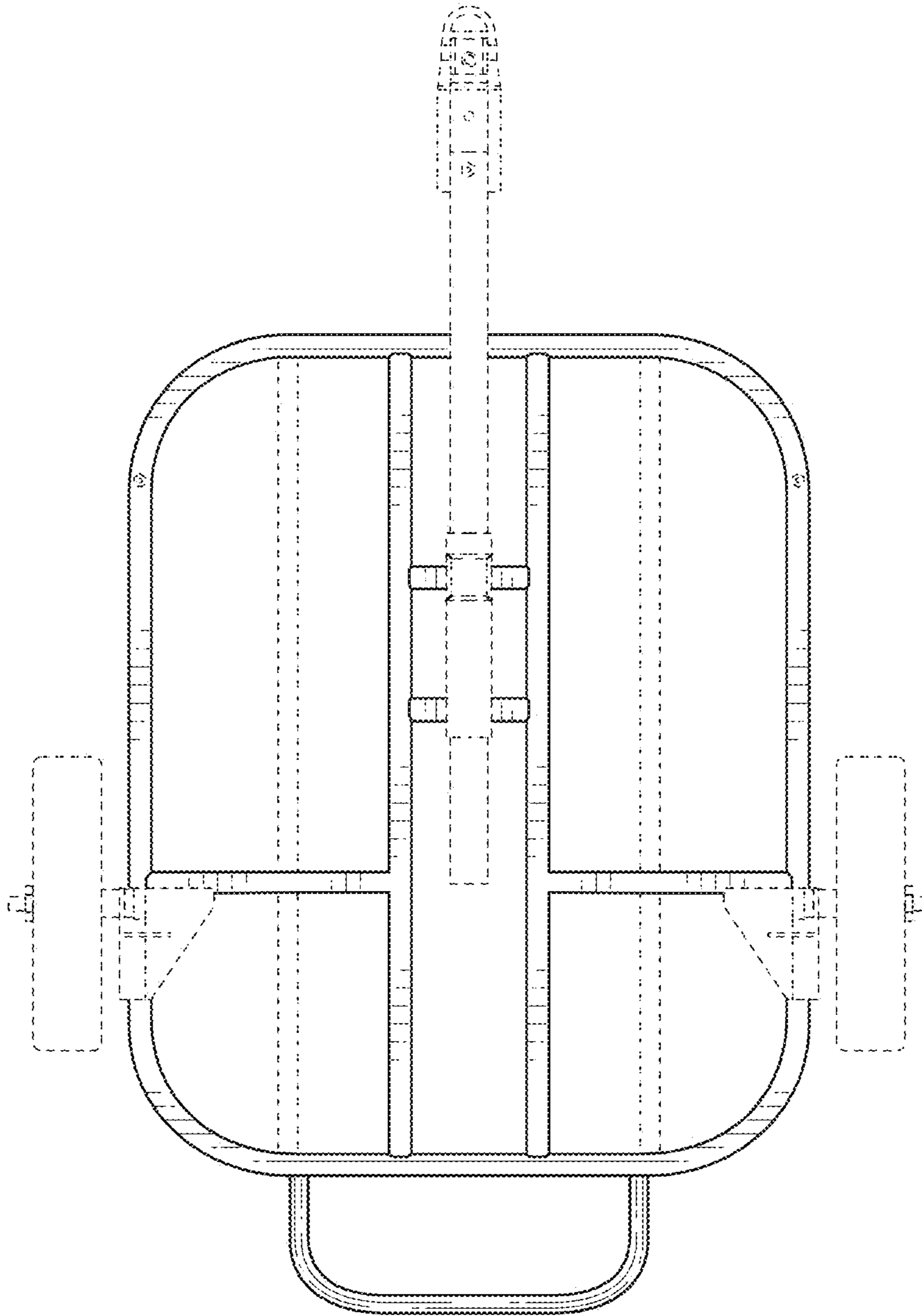


FIG. 10

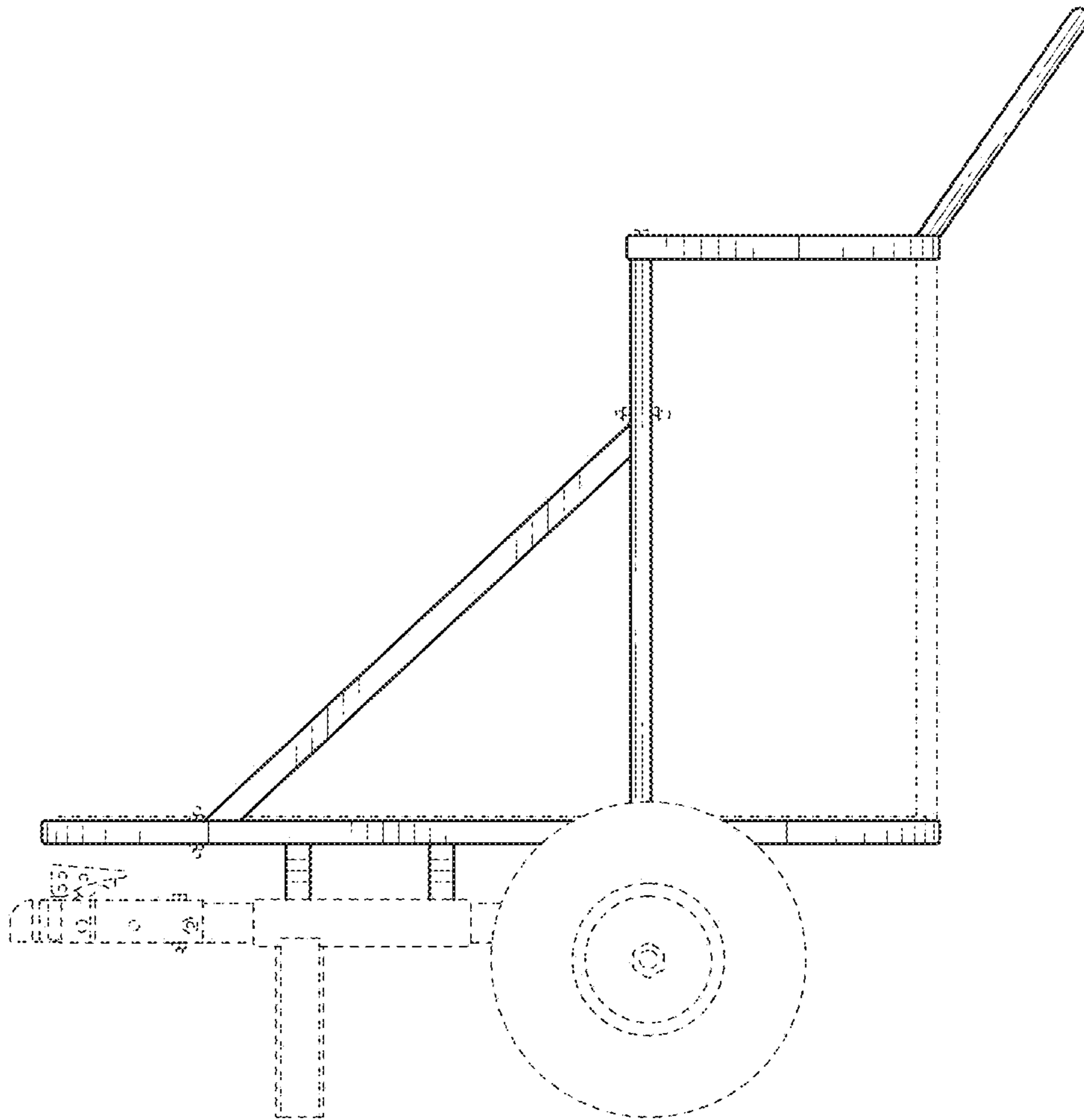


FIG. 11