

US00D936519S

(12) **United States Design Patent**
Gregory et al.

(10) **Patent No.:** **US D936,519 S**

(45) **Date of Patent:** **** Nov. 23, 2021**

(54) **AUTOMOBILE, TOY REPLICA AND/OR
OTHER REPLICA**

(71) Applicant: **Bentley Motors Limited**, Crewe (GB)

(72) Inventors: **John Paul Gregory**, Goostrey (GB);
Stefan Sielaff, Audlem (GB)

(73) Assignee: **Bentley Motors Limited**, Crewe (GB)

(**) Term: **15 Years**

(21) Appl. No.: **29/718,307**

(22) Filed: **Dec. 23, 2019**

(30) **Foreign Application Priority Data**

Jun. 27, 2019 (EM) 006599676

(51) **LOC (13) Cl.** **12-08**

(52) **U.S. Cl.**
USPC **D12/92**

(58) **Field of Classification Search**
USPC D12/86, 90-92, 164; D21/424, 433, 434,
D21/533; 296/181.1-181.5, 183.1
CPC B62D 25/00; B62D 25/06; B62D 33/00;
B62D 35/00
See application file for complete search history.

(56) **References Cited**

U.S. PATENT DOCUMENTS

D558,642 S * 1/2008 van Braeckel D12/92
D574,752 S * 8/2008 van Braeckel D12/92
D658,545 S * 5/2012 Van Braeckel D12/91
D662,865 S * 7/2012 Van Braeckel D12/164

D753,031 S * 4/2016 van Braeckel D12/164
D758,248 S * 6/2016 Donckerwolke D12/92
D782,367 S * 3/2017 Donckerwolke D12/92
D811,939 S * 3/2018 Lee D12/91
D824,295 S * 7/2018 Donckerwolke D12/164
D825,386 S * 8/2018 Donckerwolke D12/92
D825,389 S * 8/2018 Pi D12/92
D830,917 S * 10/2018 Nurnberger D12/163
D835,004 S * 12/2018 Donckerwolke D12/92
D842,760 S * 3/2019 Tsuchida D12/92
D859,215 S * 9/2019 Gregory D12/92
D859,235 S * 9/2019 Gregory D12/164
D901,338 S * 11/2020 Luo D12/163

* cited by examiner

Primary Examiner — Melody N Brown

(74) *Attorney, Agent, or Firm* — Tarolli, Sundheim,
Covell & Tummino LLP; John A. Yirga, Esq.

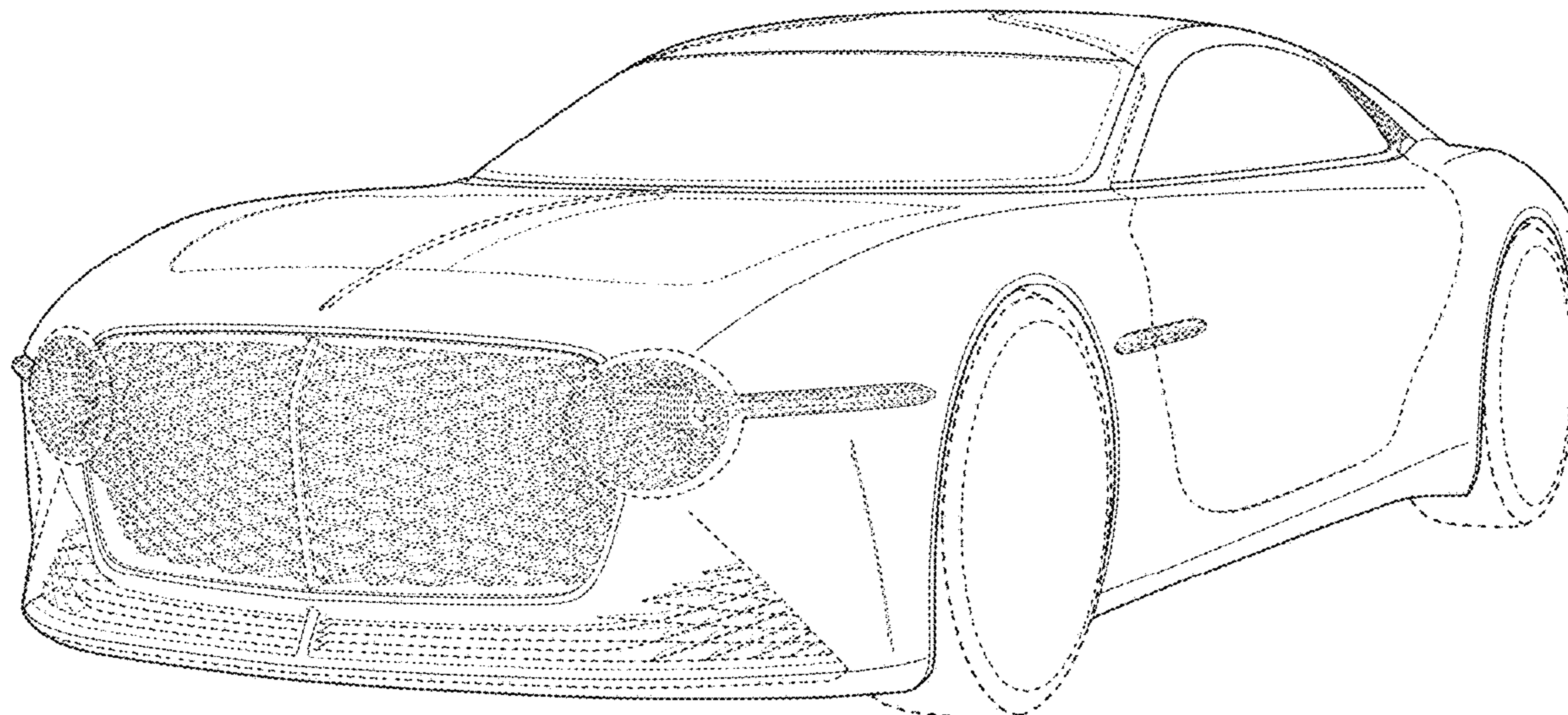
(57) **CLAIM**

The ornamental design for an automobile, toy replica and/or other replica, as shown and described.

DESCRIPTION

FIG. 1 is a front elevational view of an automobile, toy replica and/or other replica showing our new design.
FIG. 2 is a right, front perspective view thereof;
FIG. 3 is a top plan view thereof;
FIG. 4 is a rear elevational view thereof;
FIG. 5 is a right, rear perspective view thereof;
FIG. 6 is a right side elevational view thereof; and,
FIG. 7 is a left side elevational view thereof.
The portions of the automobile shown in broken lines are for environmental and illustrative purposes and form no part of the claimed design.

1 Claim, 7 Drawing Sheets



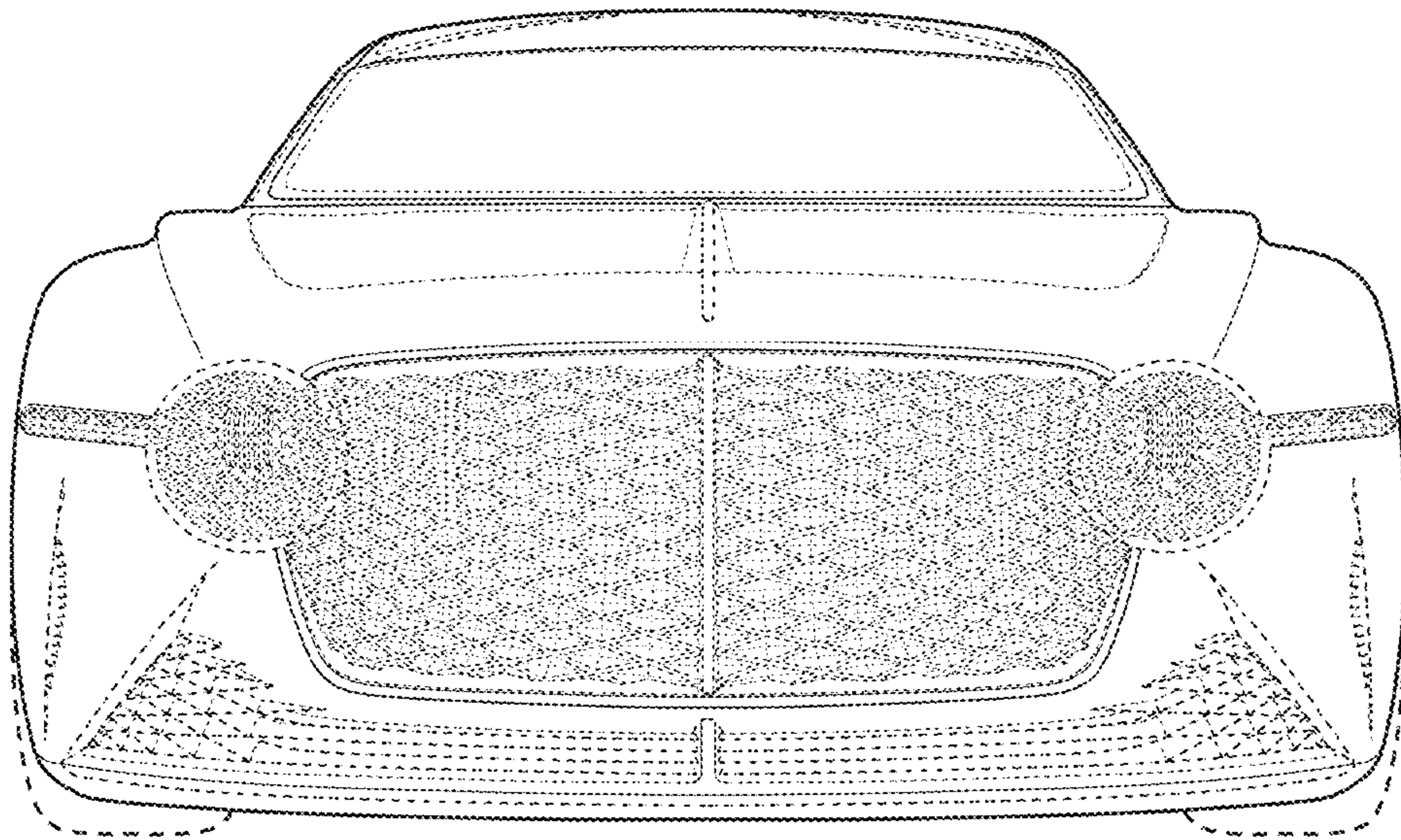


FIG. 1

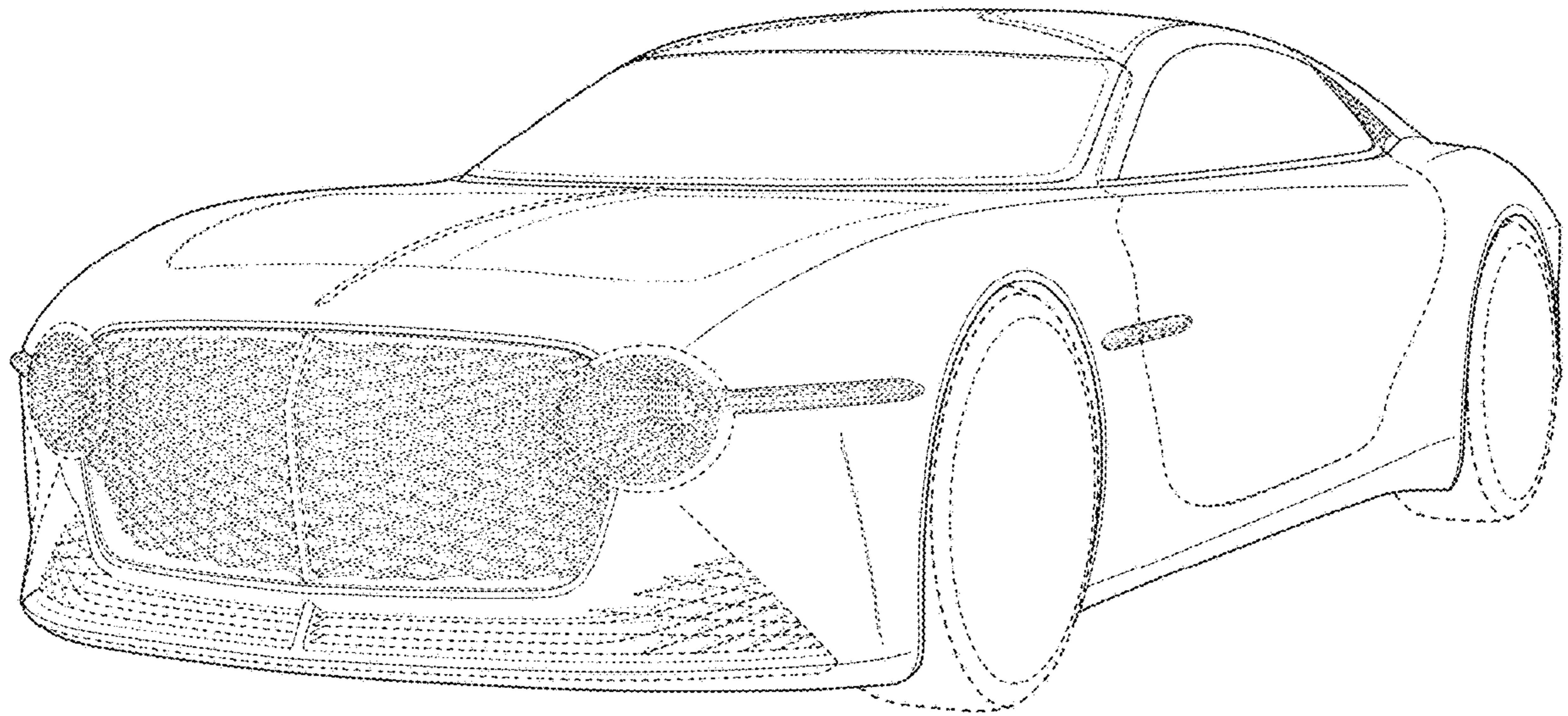


FIG. 2

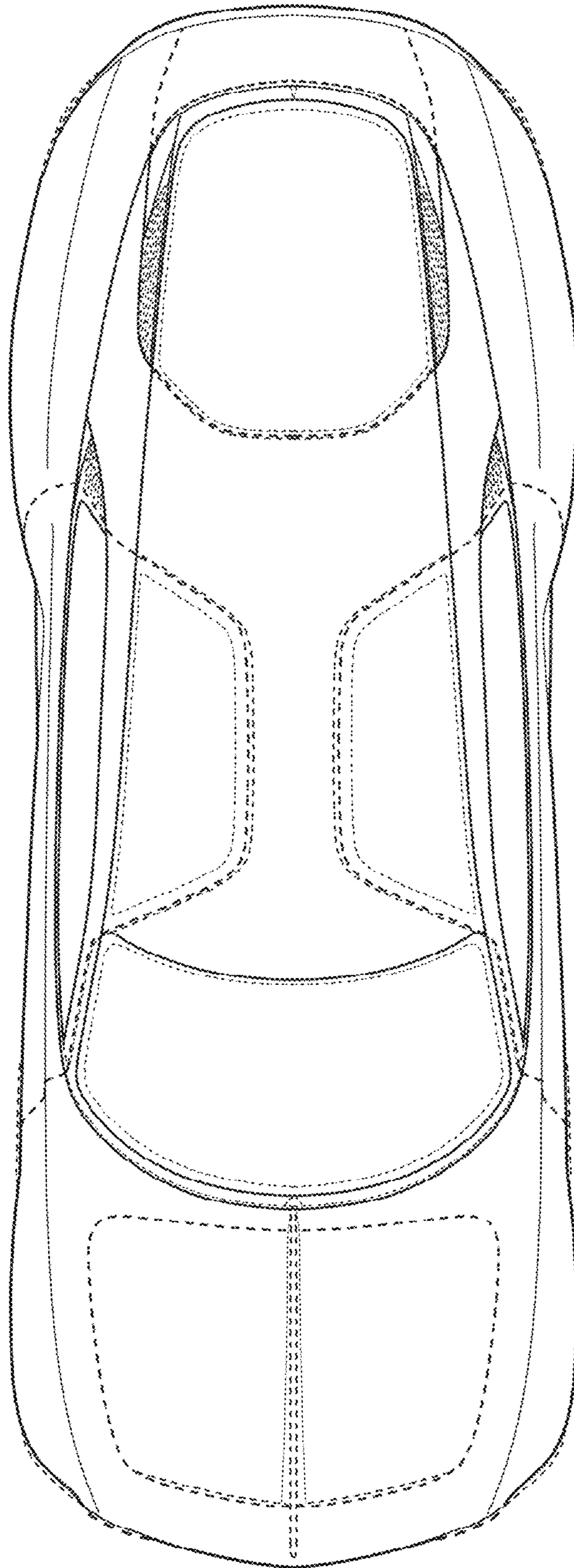


FIG. 3

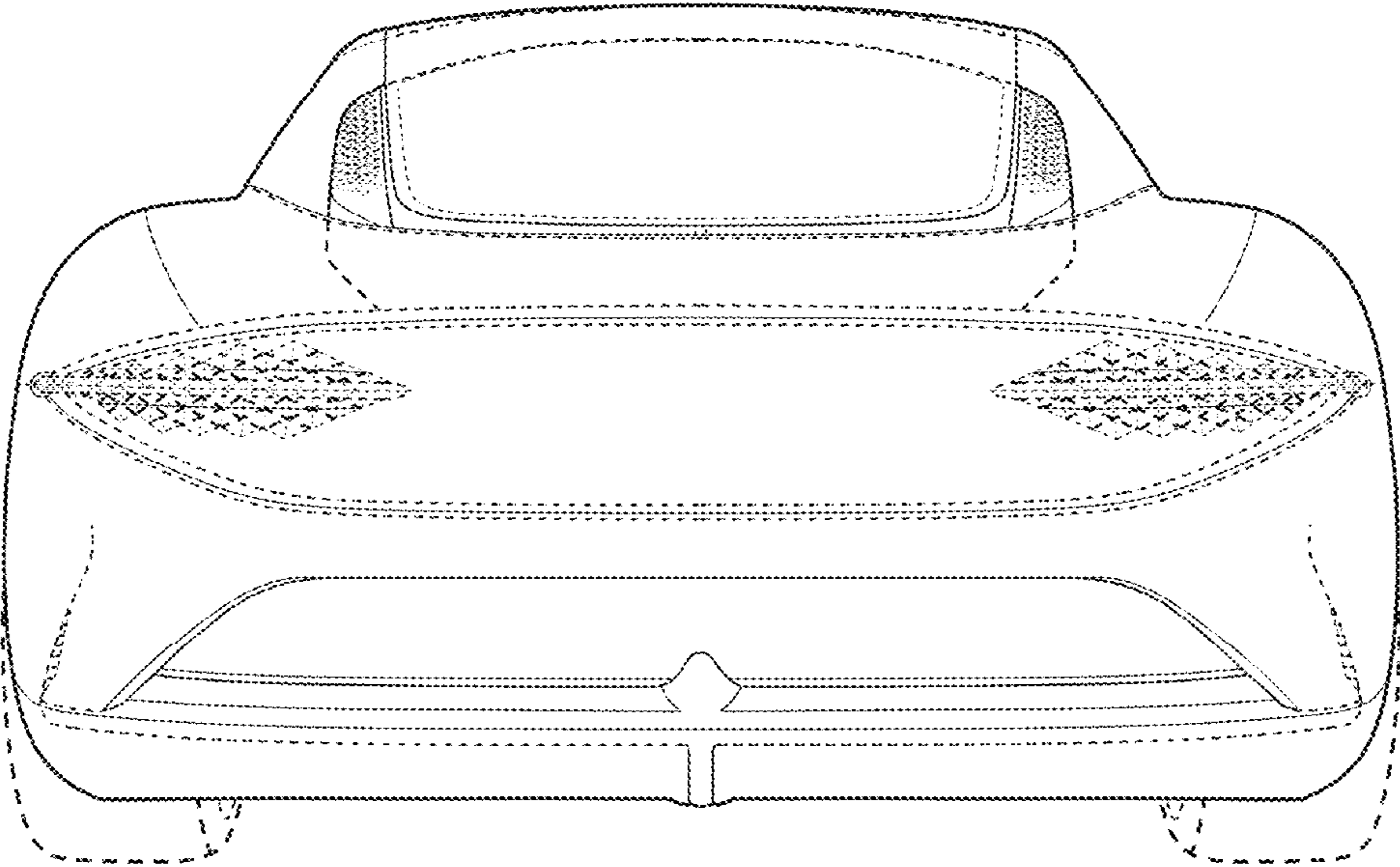


FIG. 4

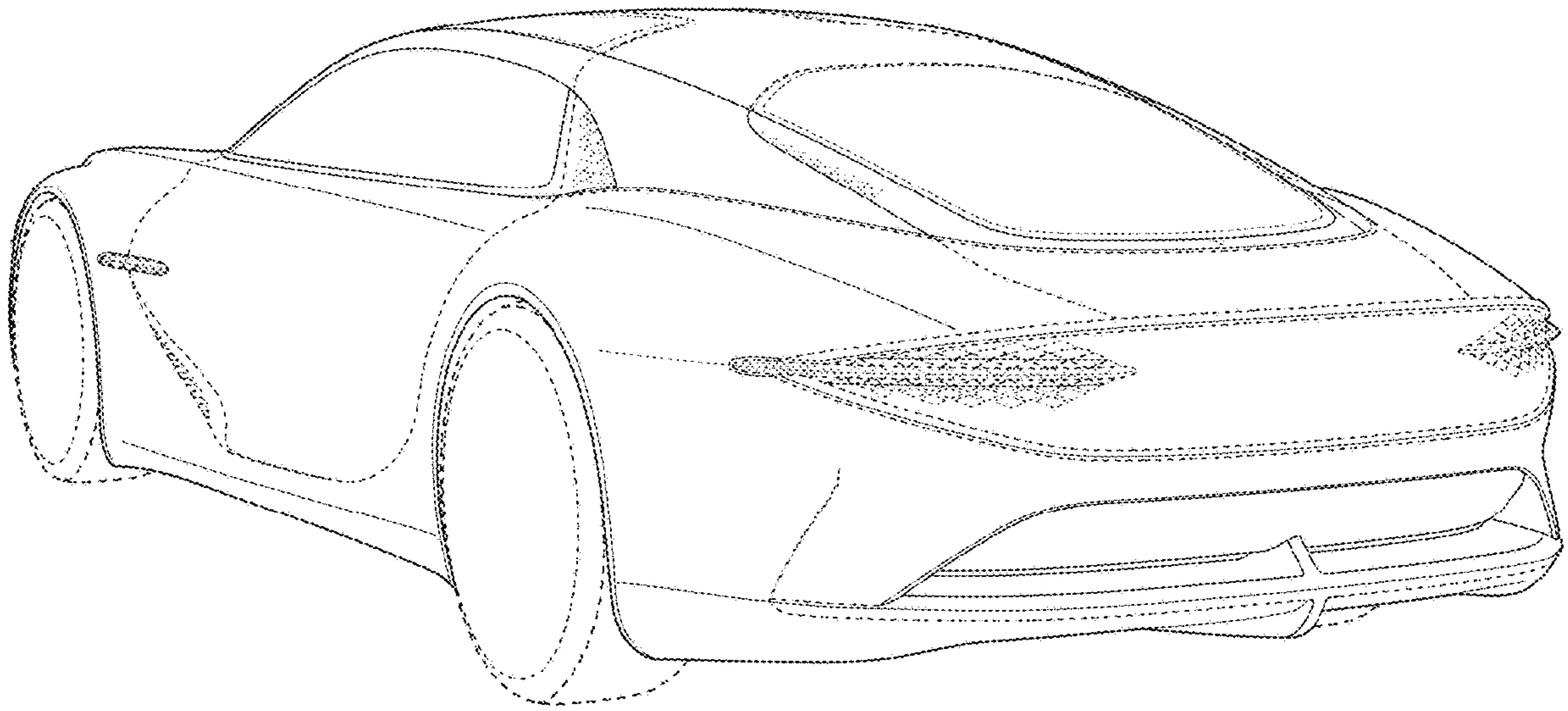


FIG. 5

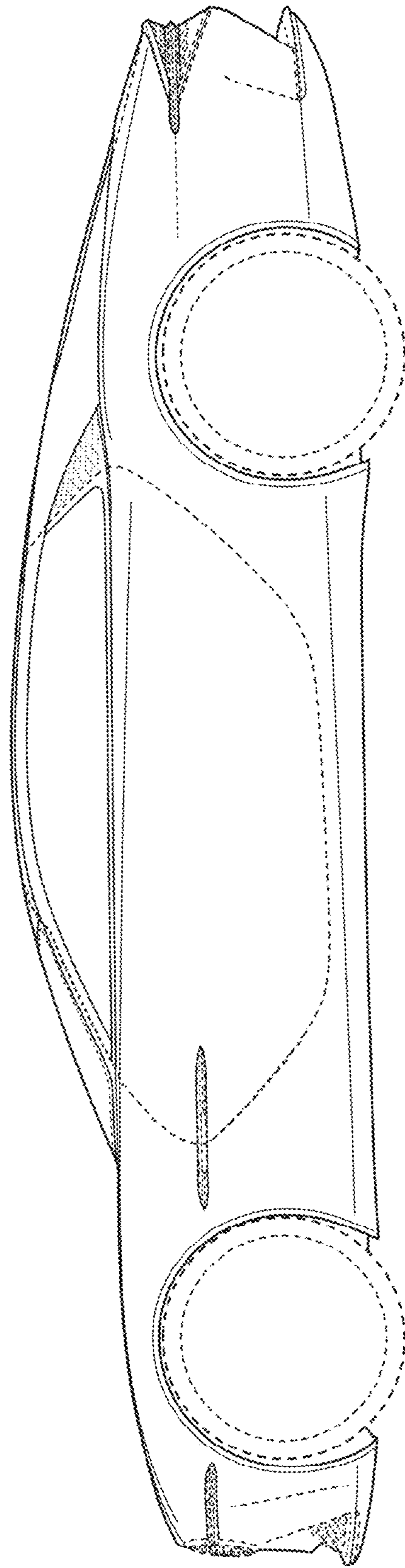


FIG. 6

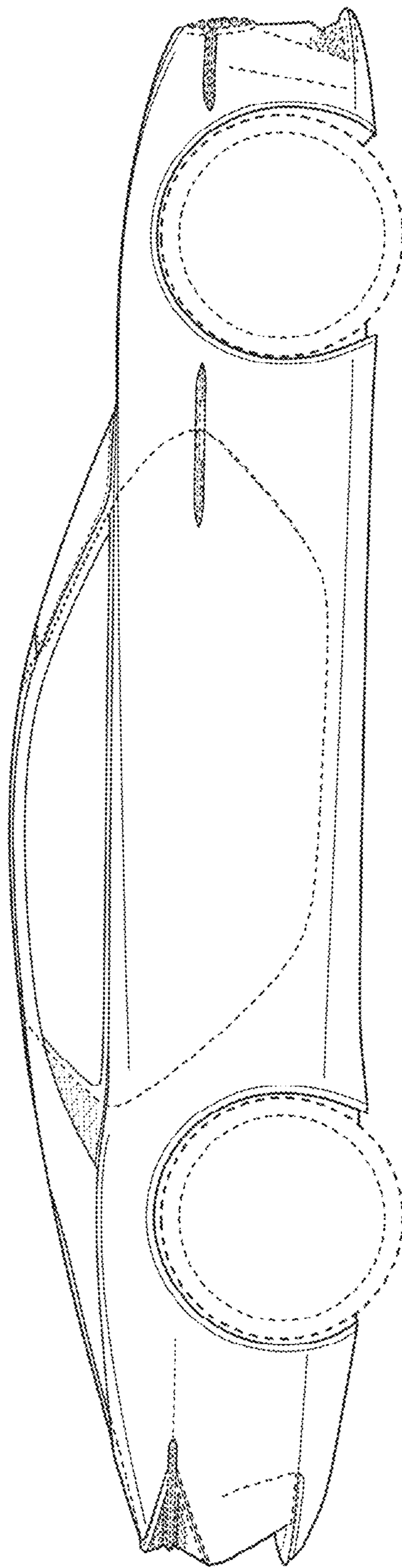


FIG. 7