



US00D936518S

(12) **United States Design Patent**  
**Langhals et al.**

(10) **Patent No.:** **US D936,518 S**

(45) **Date of Patent:** **\*\* Nov. 23, 2021**

(54) **AUTOMOBILE BODY**

(71) Applicants: **Taylor A. Langhals**, Waterford, MI (US); **Tome Jovanoski**, Shelby Township, MI (US)

(72) Inventors: **Taylor A. Langhals**, Waterford, MI (US); **Tome Jovanoski**, Shelby Township, MI (US)

(73) Assignee: **FCA US LLC**, Auburn Hills, MI (US)

(\*\*) Term: **15 Years**

(21) Appl. No.: **29/727,310**

(22) Filed: **Mar. 10, 2020**

(51) **LOC (13) Cl.** ..... **12-08**

(52) **U.S. Cl.**  
USPC ..... **D12/91**

(58) **Field of Classification Search**  
USPC ..... D12/86, 90–92, 88, 164; D21/424, 433, D21/434; 296/181.1–181.5, 183.1  
CPC ..... B62D 25/00; B62D 26/06; B62D 33/00; B62D 35/00  
See application file for complete search history.

(56) **References Cited**

**U.S. PATENT DOCUMENTS**

D420,939 S	*	2/2000	Faurote	.....	D12/91
D500,460 S	*	1/2005	Allen	.....	D12/91
D534,097 S	*	12/2006	Renkert	.....	D12/91
D551,124 S	*	9/2007	Aneiros	.....	D12/92
D650,721 S	*	12/2011	Galante	.....	D12/91
D693,737 S	*	11/2013	Hammoud	.....	D12/91

D703,583 S	*	4/2014	Howell	.....	D12/91
D711,784 S	*	8/2014	Galante	.....	D12/91
D723,425 S	*	3/2015	Glover	.....	D12/91
D728,425 S	*	5/2015	Glover	.....	D12/91
D761,695 S	*	7/2016	Faghihzadeh	.....	D12/92
D801,861 S	*	11/2017	Hubers	.....	D12/91
D805,956 S	*	12/2017	Galante	.....	D12/91
D817,816 S	*	5/2018	Hoste	.....	D12/91
D823,722 S	*	7/2018	Hoste	.....	D12/91
D847,025 S	*	4/2019	Zavatski	.....	D12/91
D860,863 S	*	9/2019	Jonason	.....	D12/91
D865,565 S	*	11/2019	Hubers	.....	D12/91
D865,566 S	*	11/2019	Jonason	.....	D12/91

\* cited by examiner

*Primary Examiner* — Melody N Brown

(74) *Attorney, Agent, or Firm* — Ralph E. Smith

(57) **CLAIM**

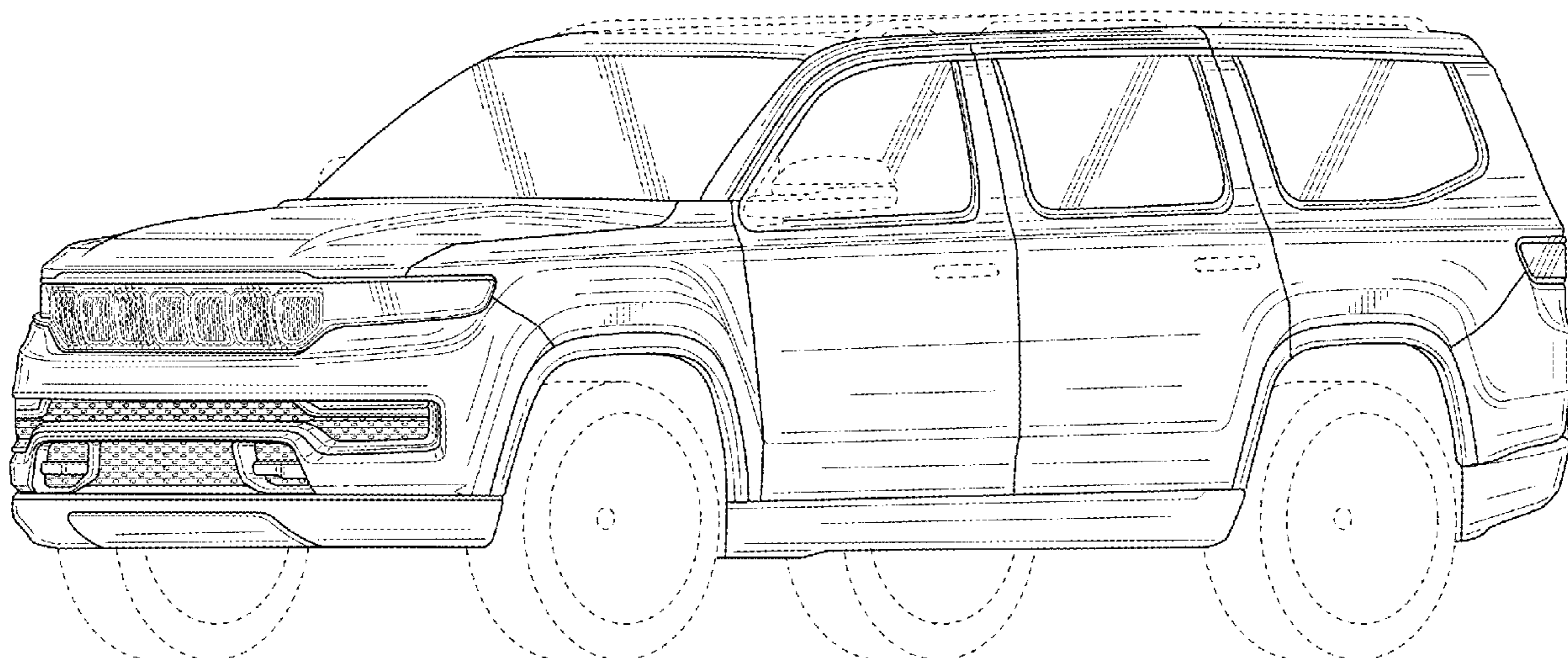
The ornamental design for an automobile body, as shown and described.

**DESCRIPTION**

FIG. 1 is a front and side perspective view of an automobile body showing our new design;  
FIG. 2 is a rear and side perspective view thereof;  
FIG. 3 is a front elevational view thereof;  
FIG. 4 is a rear elevational view thereof;  
FIG. 5 is a side elevational view thereof;  
FIG. 6 is an opposite side elevational view thereof; and,  
FIG. 7 is a top plan view thereof.

The portions of the vehicle shown in broken lines are for illustrative and environmental purposes and form no part of the claimed design.

**1 Claim, 6 Drawing Sheets**



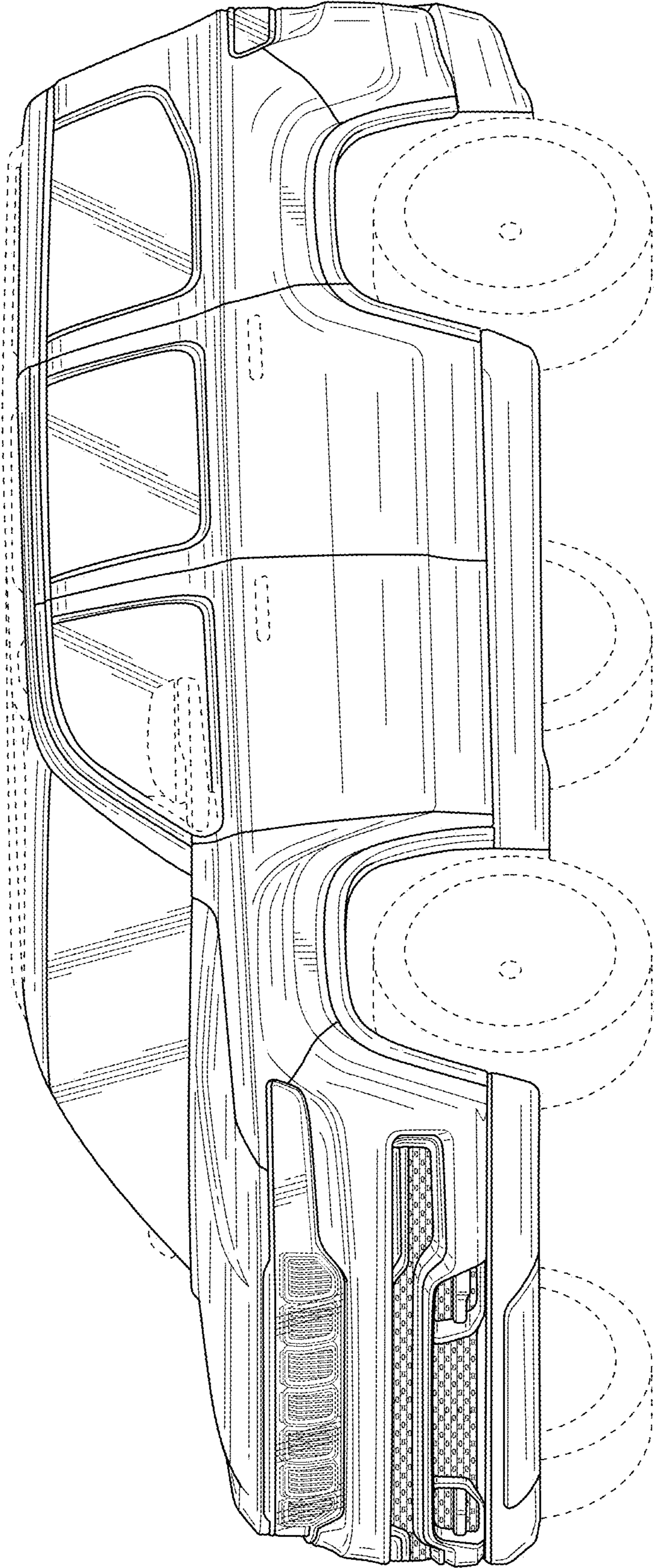


FIG. 1

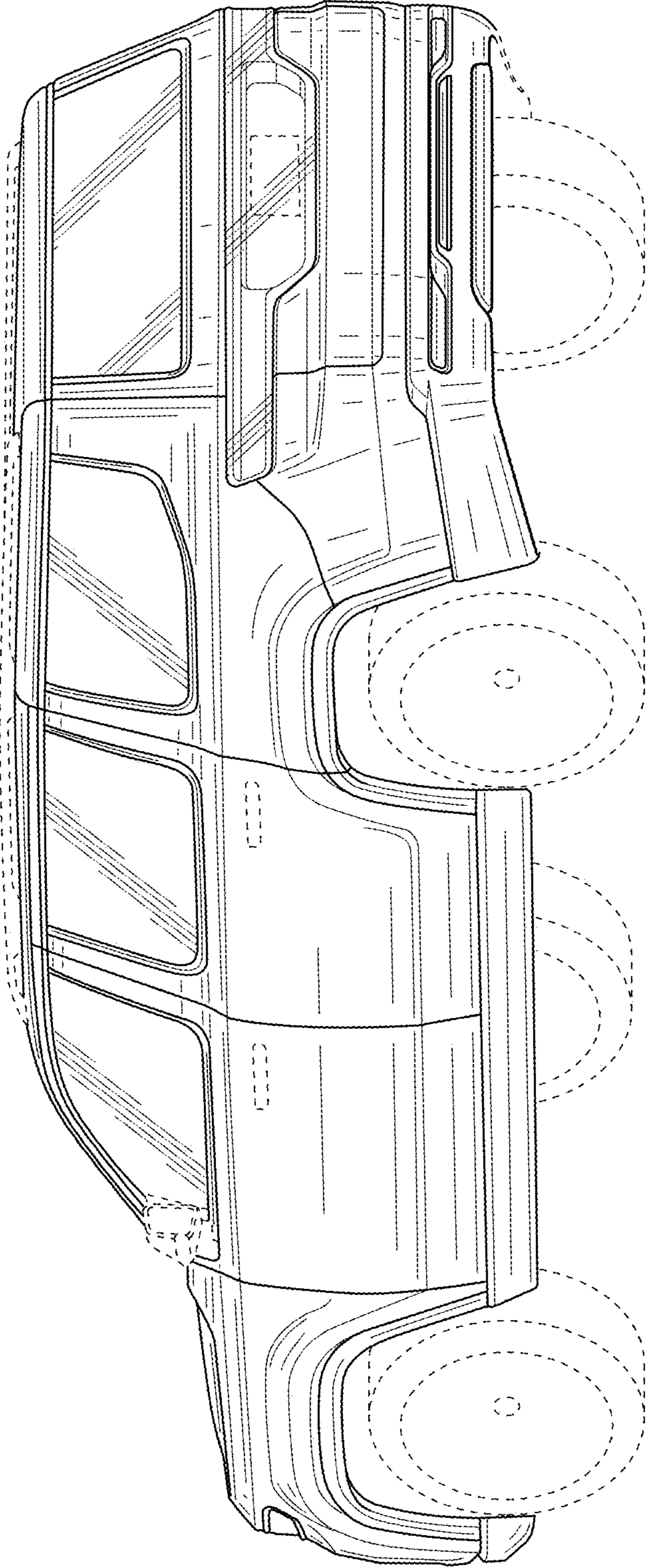


FIG. 2

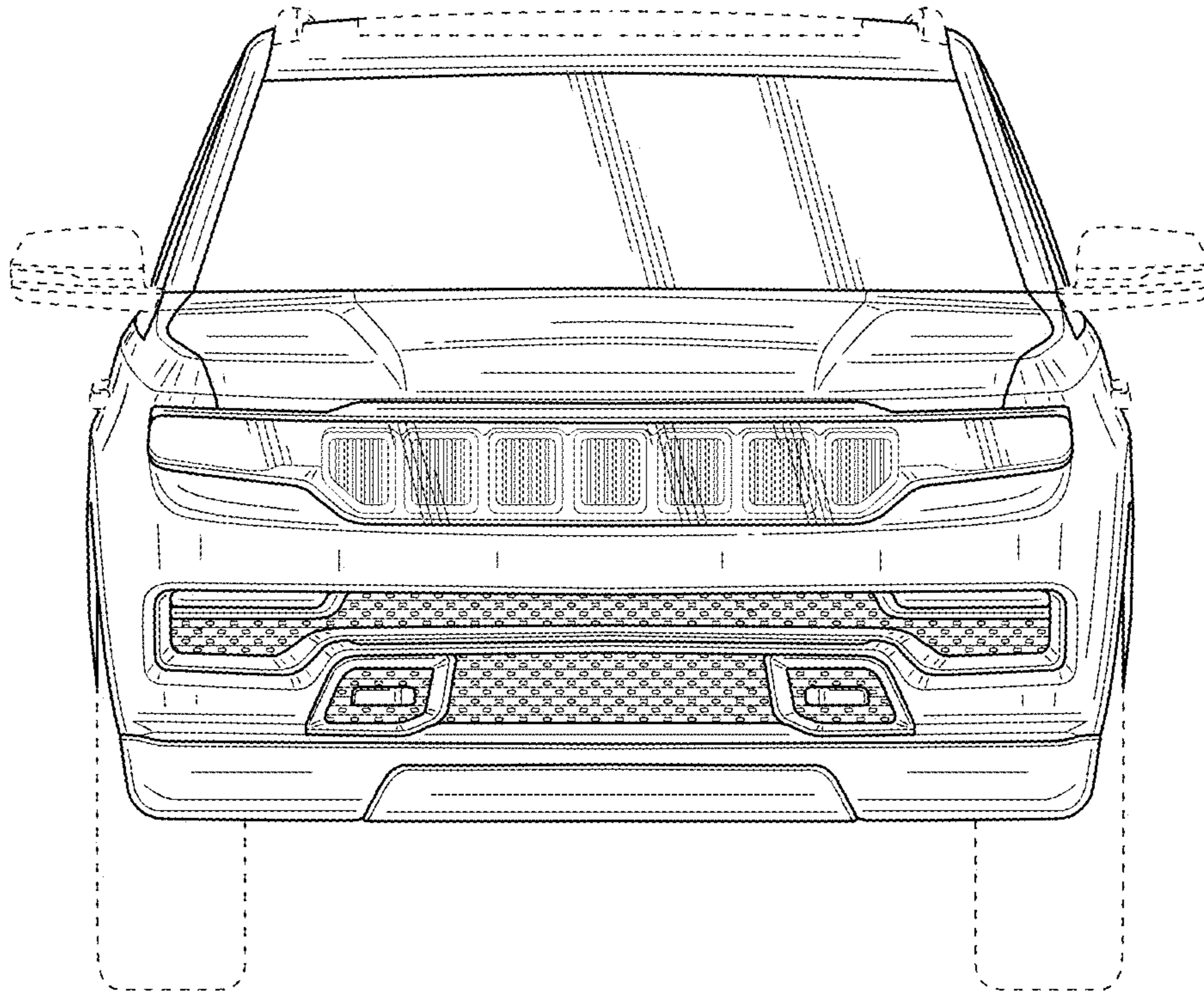


FIG. 3

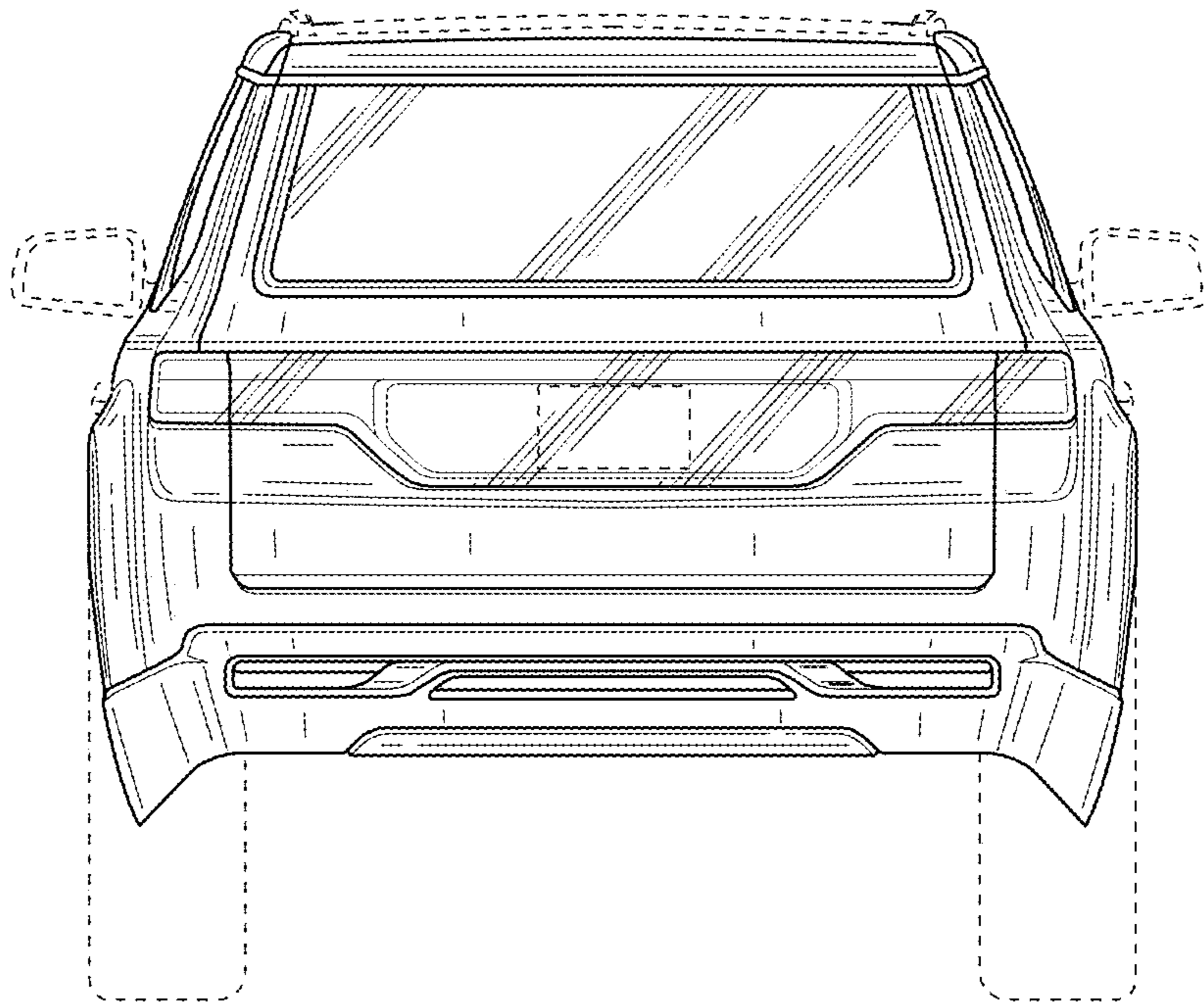


FIG. 4

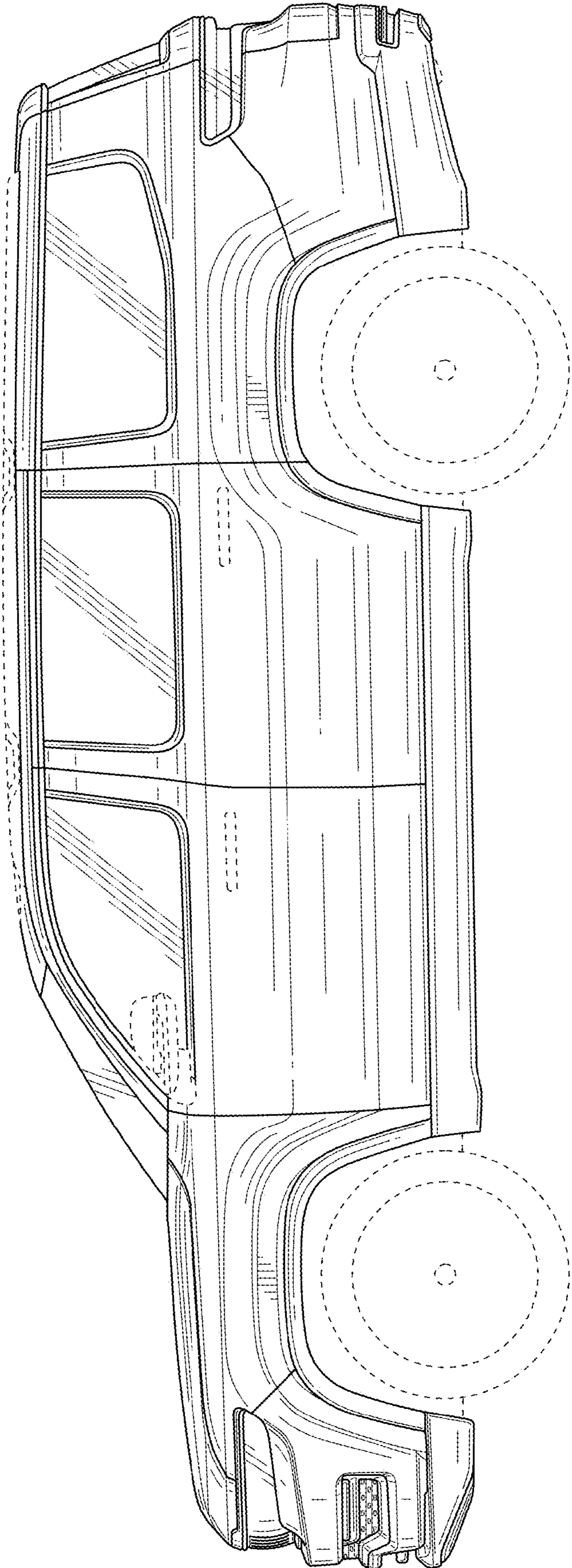


FIG. 5

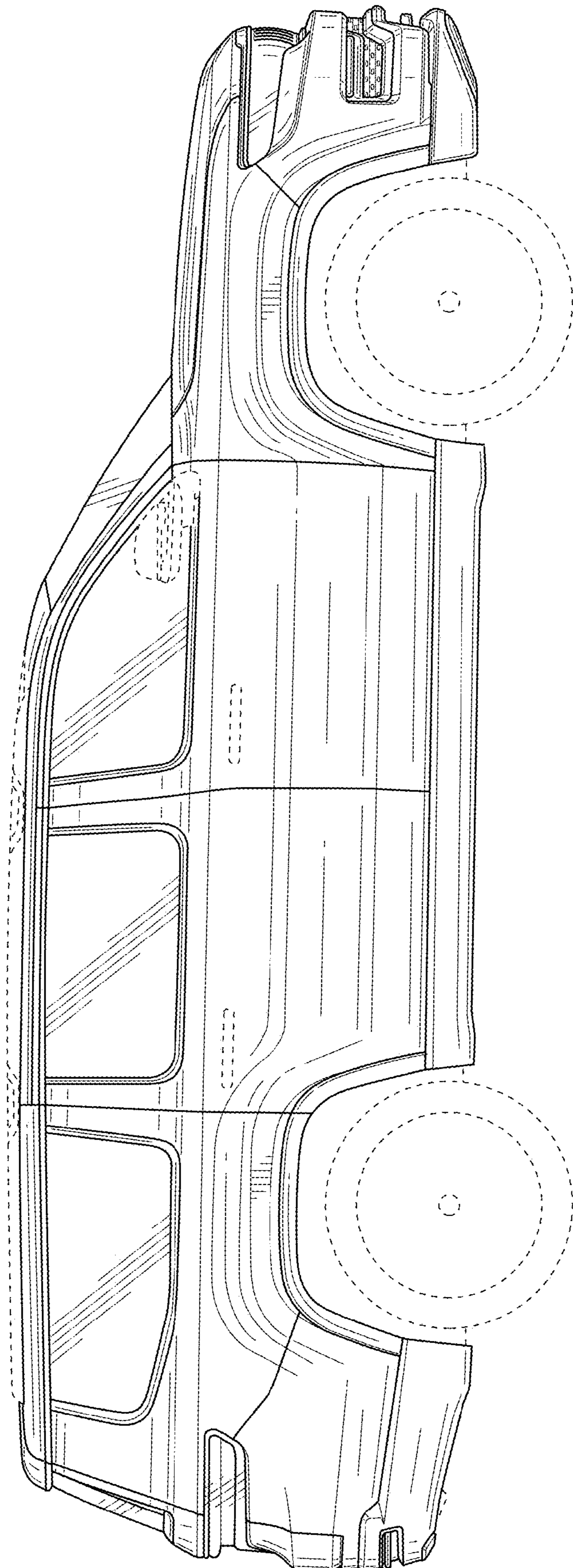


FIG. 6

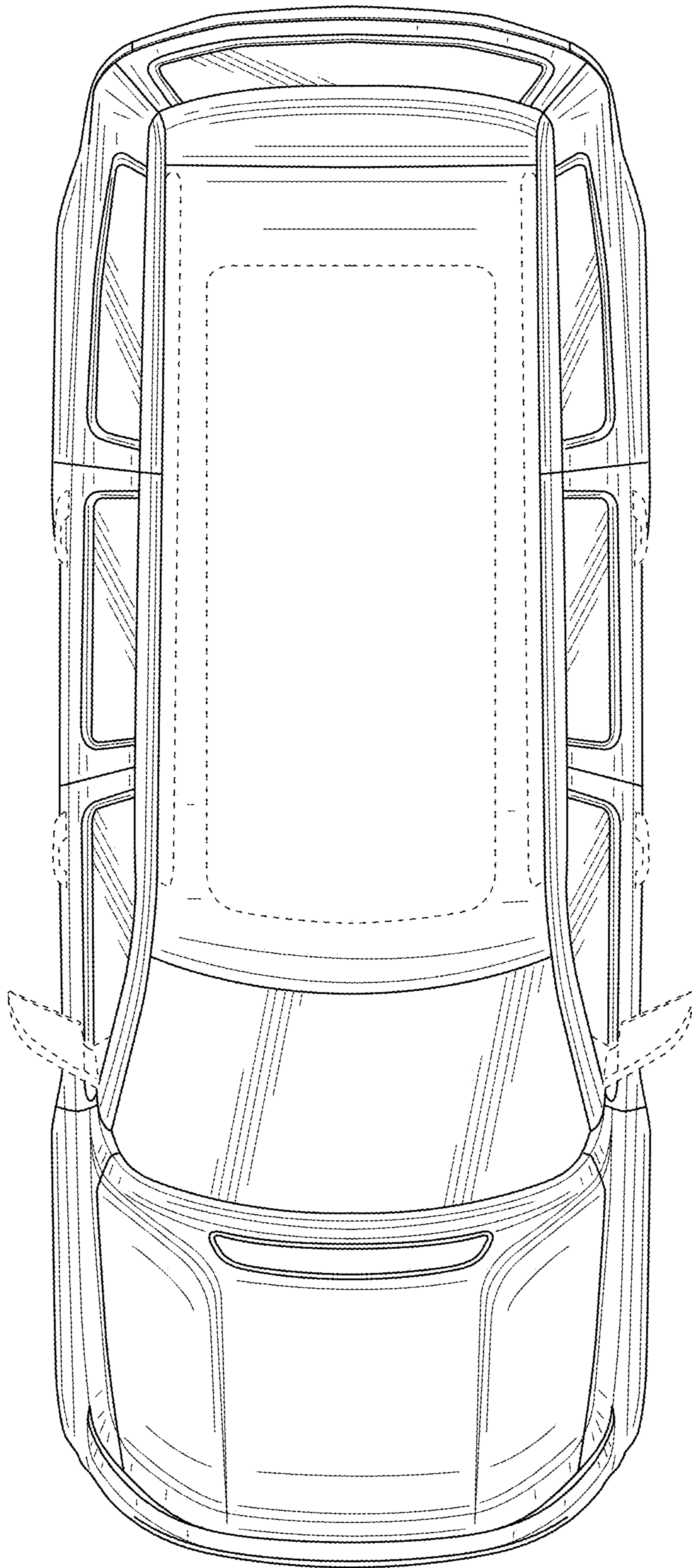


FIG. 7