



US00D936516S

(12) **United States Design Patent** (10) **Patent No.:** **US D936,516 S**  
**Liu et al.** (45) **Date of Patent:** **\*\* Nov. 23, 2021**

(54) **BALANCE SCOOTER** D551,592 S \* 9/2007 Chang ..... D12/1  
D551,722 S \* 9/2007 Chang ..... B62K 11/007  
(71) Applicant: **NINEBOT (BEIJING) TECH. CO., LTD**, Beijing (CN) 7,303,032 B2 \* 12/2007 Kahlert ..... B62D 61/00  
D12/1  
180/21  
(72) Inventors: **Lei Liu**, Beijing (CN); **Ning Wang**, Beijing (CN); **Zheng Jin**, Beijing (CN); **Liqiang Wu**, Beijing (CN) D601,922 S \* 10/2009 Imai ..... D12/1  
D627,377 S \* 11/2010 Wiley ..... D15/199  
D633,912 S \* 3/2011 Llopis Vano ..... D14/413  
7,958,961 B1 \* 6/2011 Schade ..... B62K 11/007  
180/273  
(73) Assignee: **NINEBOT (BEIJING) TECH. CO., LTD**, Beijing (CN) (Continued)

(\*\*) Term: **15 Years**

(21) Appl. No.: **35/509,148**

(22) Filed: **Jan. 3, 2020**

(80) **Hague Agreement Data**

Int. Filing Date: **Jan. 3, 2020**  
Int. Reg. No.: **DM/207174**  
Int. Reg. Date: **Jan. 3, 2020**  
Int. Reg. Pub. Date: **Apr. 24, 2020**

(30) **Foreign Application Priority Data**

Jul. 26, 2019 (CN) ..... 201930403863.7

(51) **LOC (13) Cl.** ..... **12-11**

(52) **U.S. Cl.**  
USPC ..... **D12/1; D21/421**

(58) **Field of Classification Search**

USPC .... D12/1, 8, 14, 85, 86, 112, 113, 128, 130;  
D21/419, 421, 423, 424, 435  
CPC ..... B62D 51/02; B62K 3/007  
See application file for complete search history.

(56) **References Cited**

**U.S. PATENT DOCUMENTS**

D528,468 S \* 9/2006 Arling ..... D12/1  
7,243,572 B1 \* 7/2007 Arling ..... A63C 17/08  
464/162

**OTHER PUBLICATIONS**

Eli Ferz. "Segway miniPRO Smart Self Balancing Personal Transporter Scooter Review." Self Balancing Scooters., Jun. 25, 2021 [online], [retrieved on Jul. 19, 2021]. Retrieved from the Internet <URL: <https://selfbalancingscooters.net/segway-miniPRO-smart-self-balancing-personal-transporter-scooter-review/>>.\*

(Continued)

*Primary Examiner* — Darlington Ly  
(74) *Attorney, Agent, or Firm* — Polson Intellectual Property Law, PC; Margaret Polson

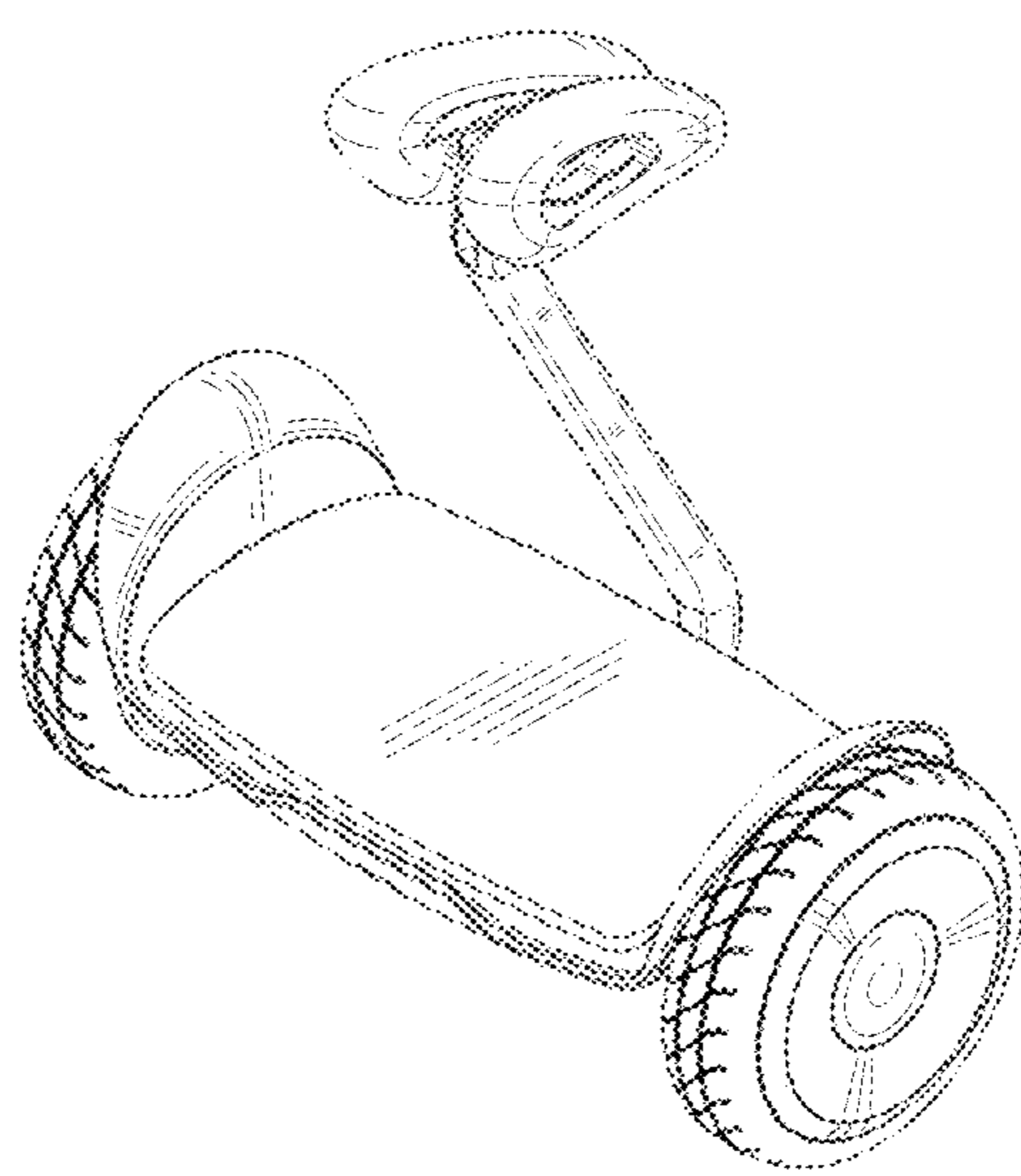
(57) **CLAIM**

The ornamental design for a balance scooter, as shown and described.

**DESCRIPTION**

1. Balance scooter  
**1.1** is a front elevation view of a balance scooter embodying our new design;  
**1.2** is a rear elevation view thereof;  
**1.3** is a left side elevation view thereof;  
**1.4** is a right side elevation view thereof;  
**1.5** is a top plan view thereof;  
**1.6** is a bottom plan view thereof; and  
**1.7** is a front and right side perspective view thereof.  
The broken lines shown in the drawings illustrate portions of the balance scooter that form no part of the claimed design.

**1 Claim, 7 Drawing Sheets**



(56)

References Cited

U.S. PATENT DOCUMENTS

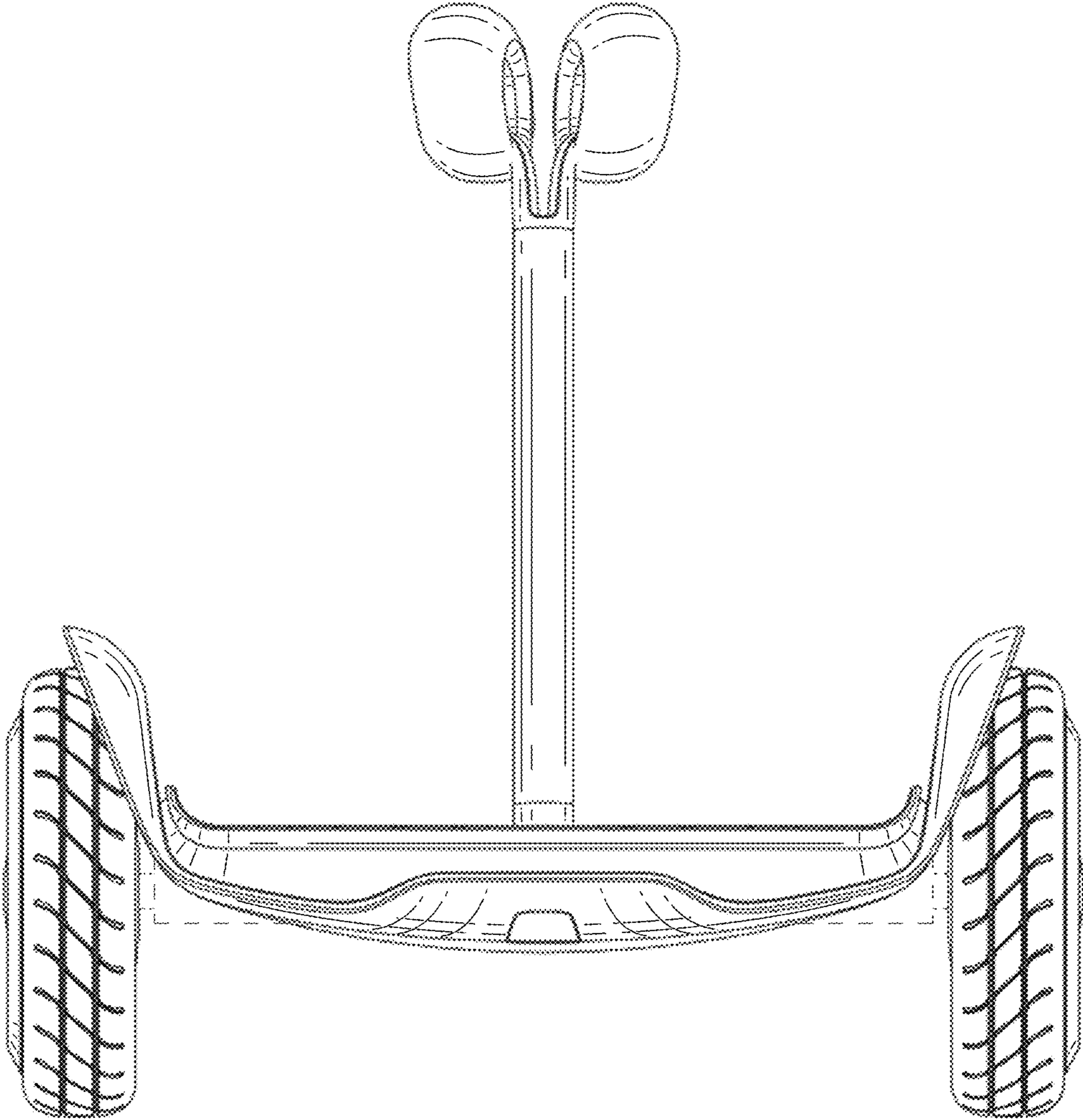
8,201,653 B2 \* 6/2012 Strassman ..... B60N 2/002  
180/218  
8,322,478 B2 \* 12/2012 Kim ..... B62K 11/007  
180/218  
D743,843 S \* 11/2015 Guo ..... D12/1  
D748,533 S \* 2/2016 Collins ..... D12/1  
D774,600 S \* 12/2016 Tao ..... D21/421  
D774,940 S \* 12/2016 de la Gandara ..... D12/1  
D793,905 S \* 8/2017 Liu ..... D12/1  
D795,134 S \* 8/2017 Liu ..... D12/1  
D816,777 S \* 5/2018 Yang ..... D21/421  
D816,778 S \* 5/2018 Yang ..... D21/421  
D818,049 S \* 5/2018 Yang ..... D21/421  
D829,603 S \* 10/2018 Ying ..... D12/1  
D834,650 S \* 11/2018 Li ..... D14/223  
D835,544 S \* 12/2018 Liu ..... D12/1  
D836,728 S \* 12/2018 Liu ..... D21/423  
D845,871 S \* 4/2019 Liu ..... D12/401  
D882,007 S \* 4/2020 Ying ..... D21/763  
D888,855 S \* 6/2020 Li ..... D21/763

D888,856 S \* 6/2020 Li ..... D21/763  
D889,576 S \* 7/2020 Li ..... D21/763  
D891,548 S \* 7/2020 Wang ..... D21/763  
2008/0245594 A1 \* 10/2008 Ishii ..... B62D 37/00  
180/218  
2009/0115149 A1 \* 5/2009 Wallis ..... B60N 2/1685  
280/6.159

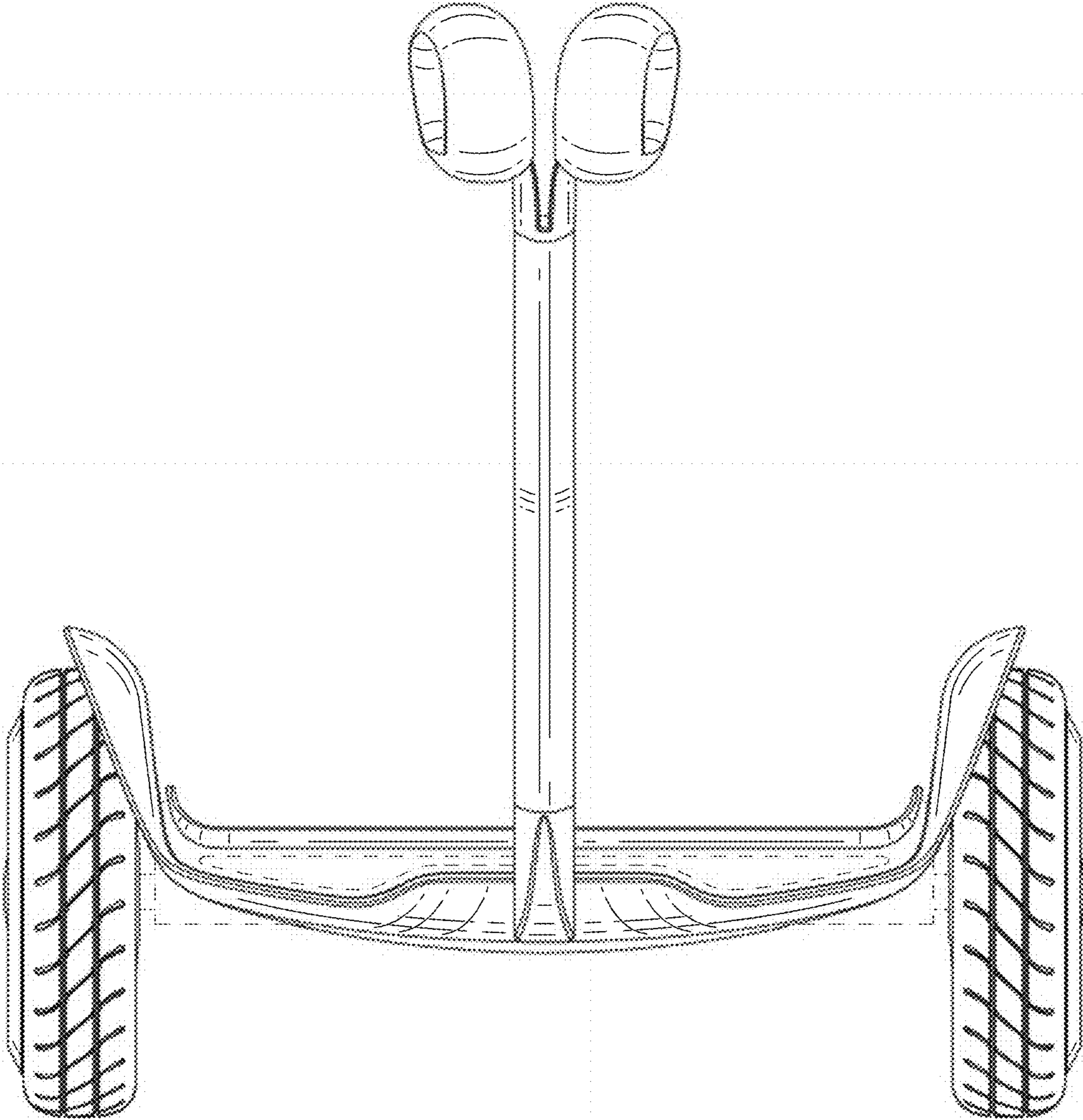
OTHER PUBLICATIONS

Eli Ferz. "Segway MiniLite Smart Self-Balancing Electric Scooter Transporter Review." Self Balancing Scooters., Jun. 25, 2021 [online], [retrieved on Jul. 19, 2021]. Retrieved from the Internet <URL: <https://selfbalancingscooters.net/segway-minilite-smart-self-balancing-electric-scooter-transporter-review/>>.\*  
"Ninebot E Electric Two-Wheel Self-Balancing Scooter Review." Electric Unicycles, Jul. 15, 2015 [online], [retrieved on Jul. 19, 2021 ]. Retrieved from the Internet <URL: <https://selfbalancingelectricunicycles.com/ninebot-e-electric-two-wheel-self-balancing-scooter-review/>>.\*

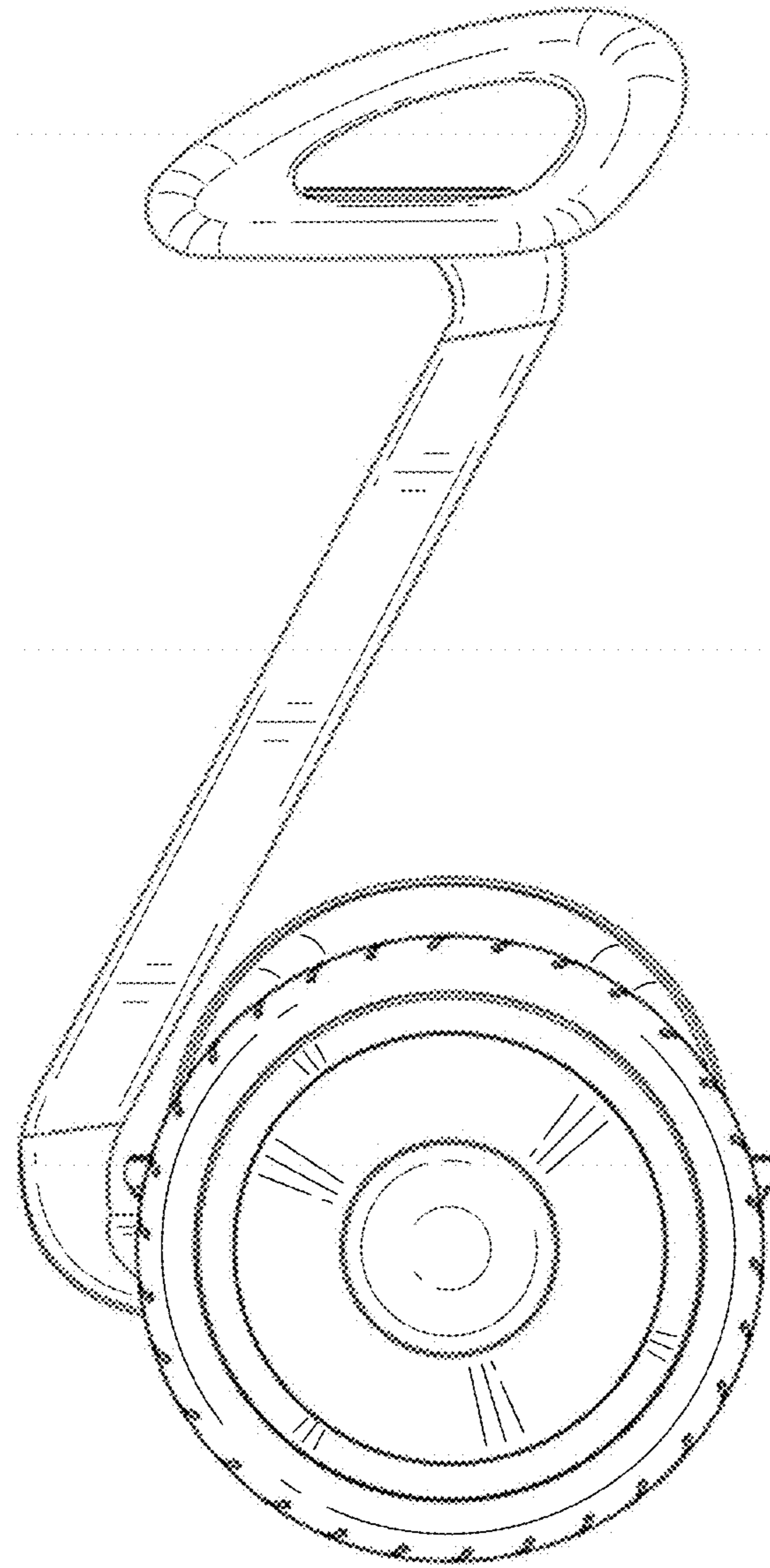
\* cited by examiner



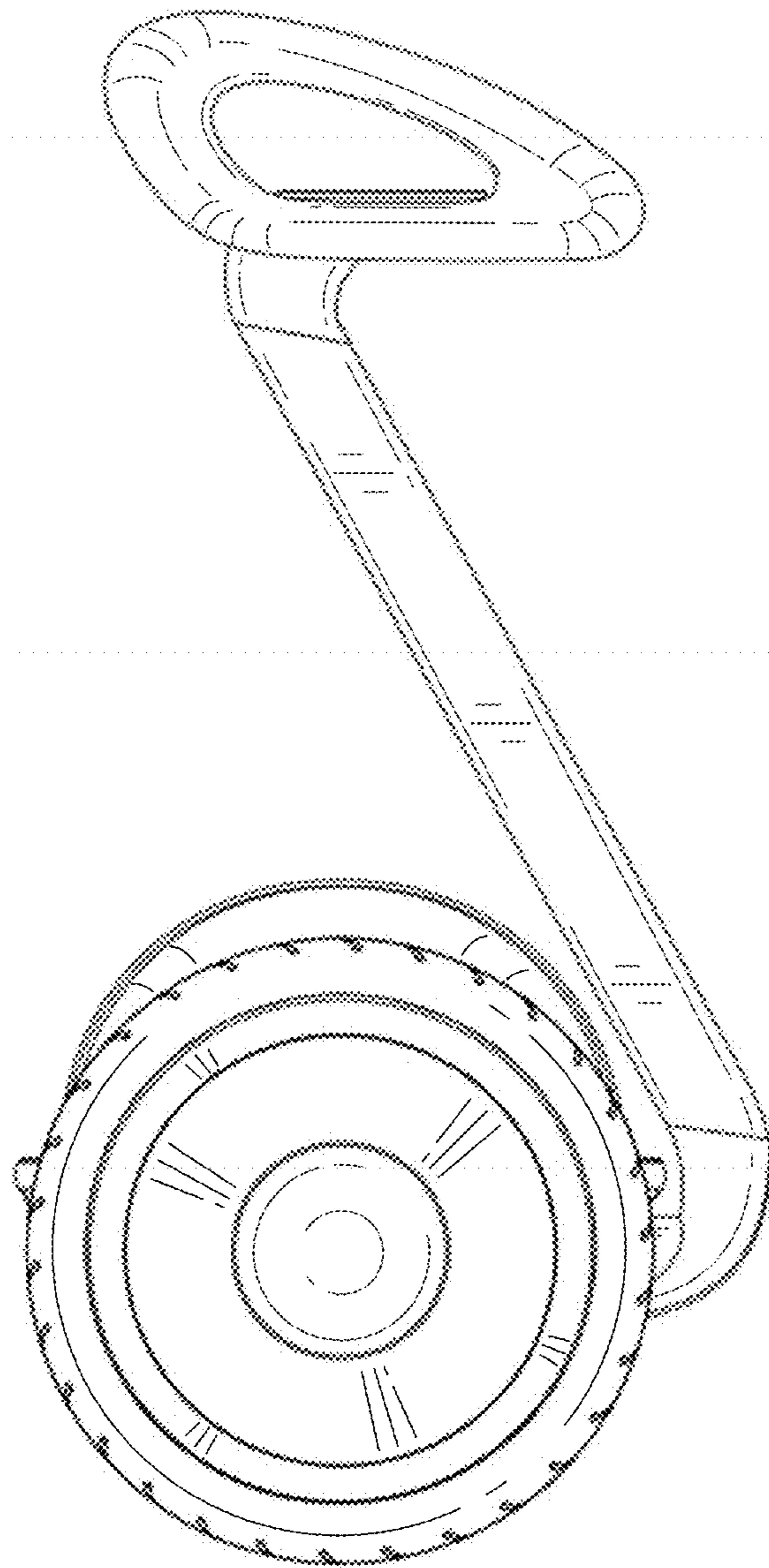
1.1



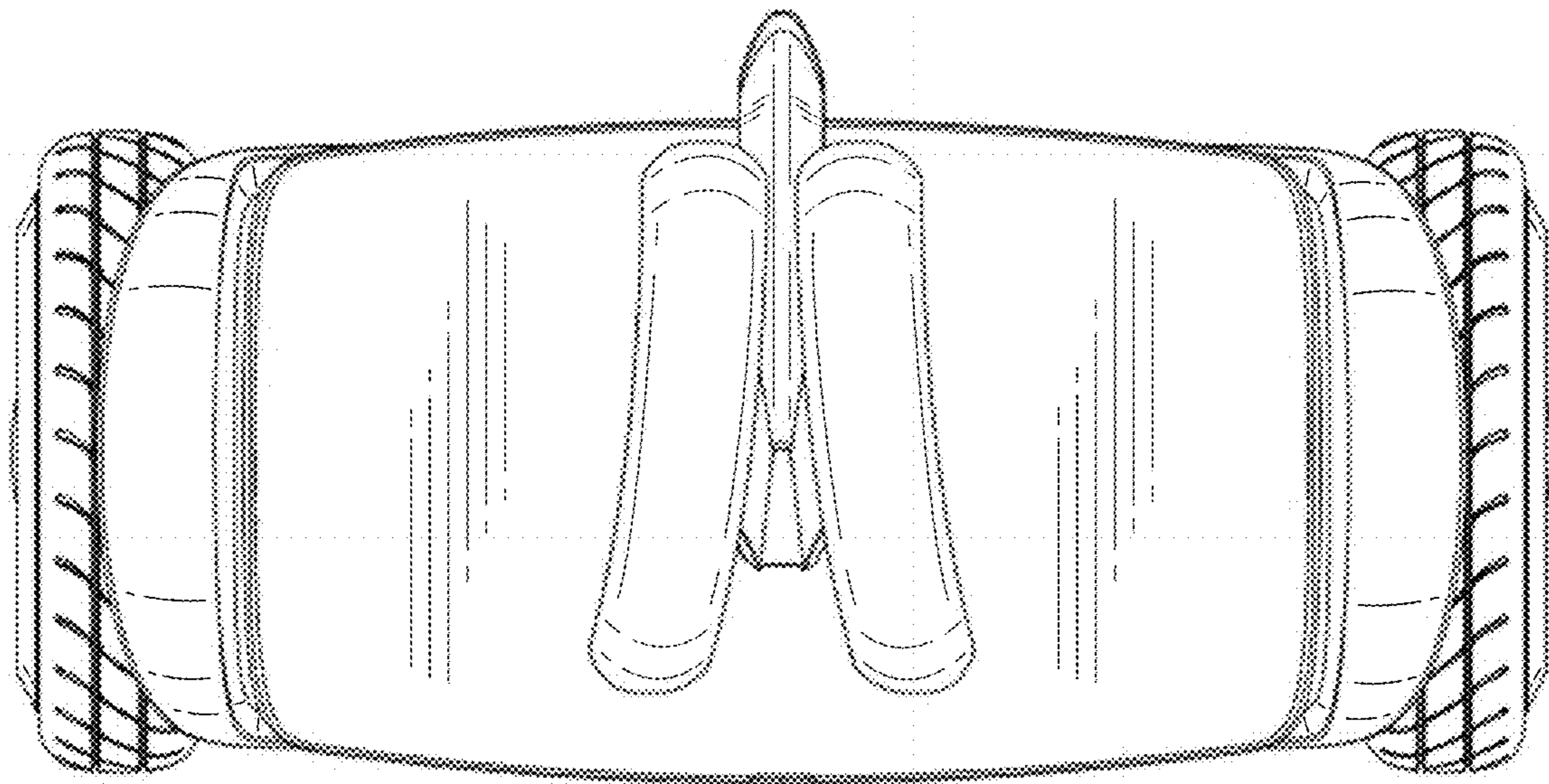
1.2



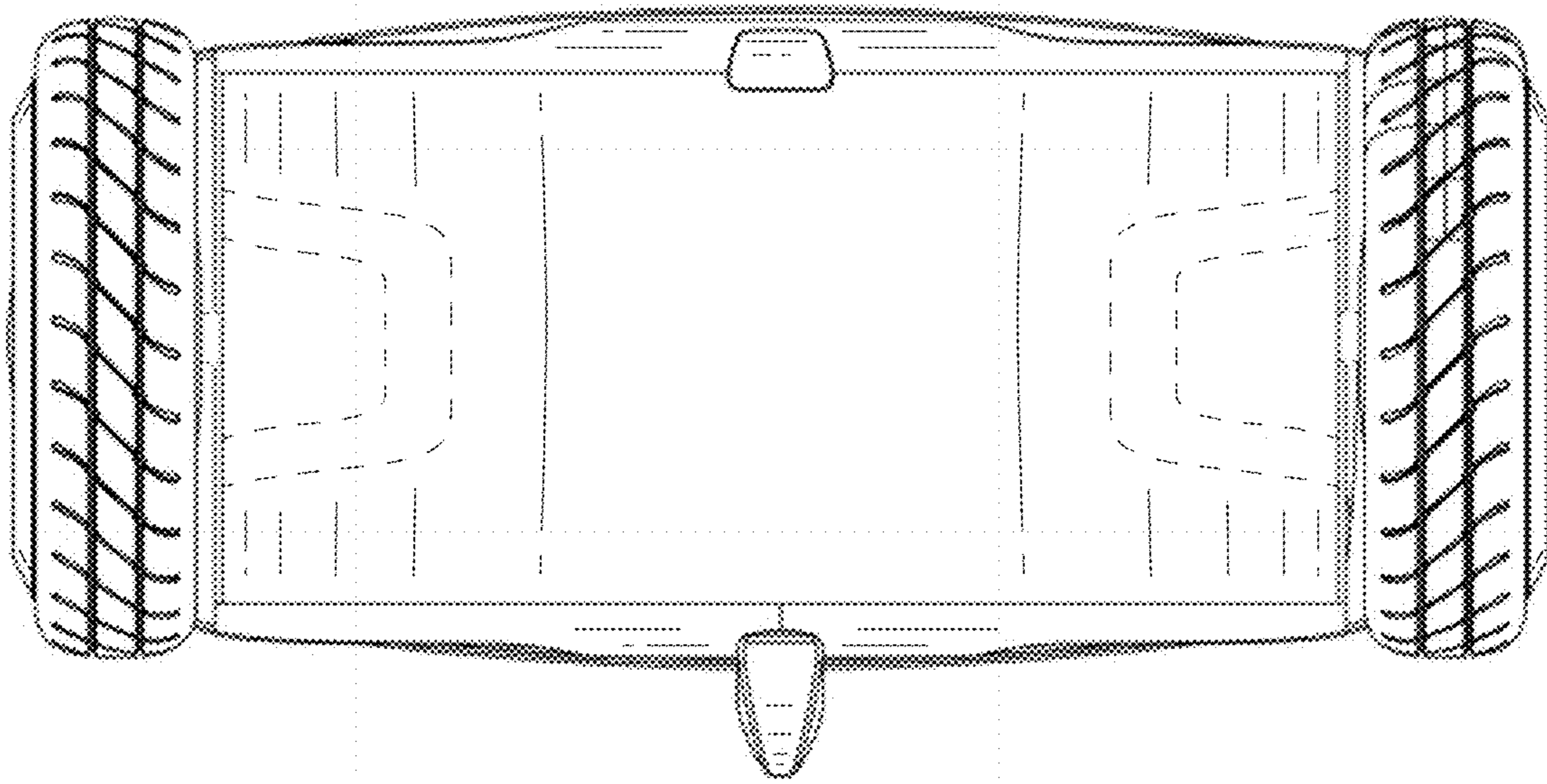
1.3



1.4

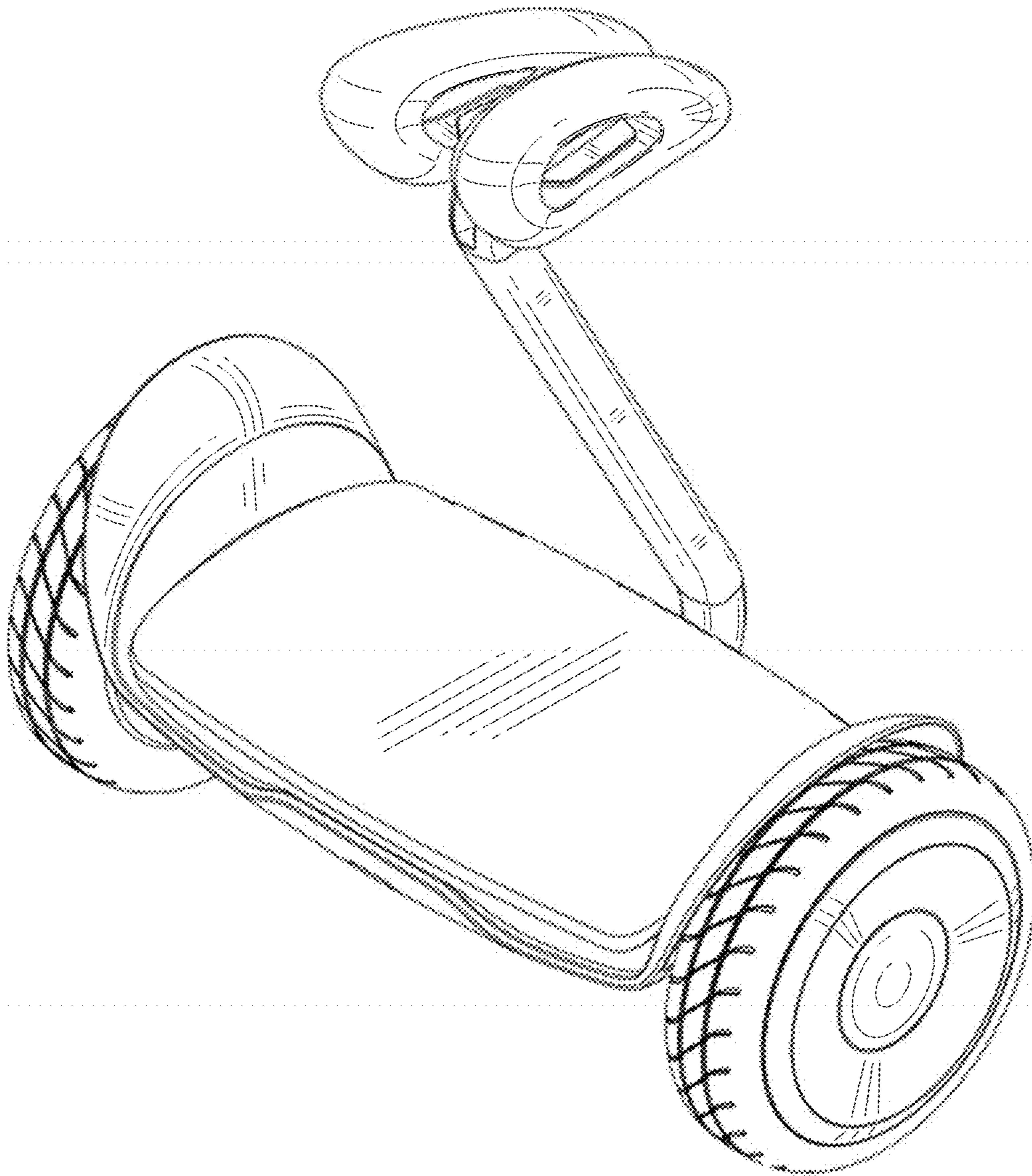


1.5



1.6





1.7