

US00D936515S

(12) **United States Design Patent** (10) **Patent No.:** **US D936,515 S**
Hu (45) **Date of Patent:** **** Nov. 23, 2021**

(54) **FLAG HOLDER**
(71) Applicant: **Zhejiang Sairen Trading Co., Ltd.**,
Zhejiang (CN)
(72) Inventor: **Wenqian Hu**, Zhejiang (CN)
(73) Assignee: **Zhejiang Sairen Trading Co., Ltd.**,
Zhejiang (CN)
(**) Term: **15 Years**
(21) Appl. No.: **29/769,148**
(22) Filed: **Feb. 3, 2021**
(51) **LOC (13) Cl.** **11-05**
(52) **U.S. Cl.**
USPC **D11/182**
(58) **Field of Classification Search**
USPC D11/165, 166, 171, 181, 182, 183, 184;
D8/349, 373, 376, 380; D20/10, 16, 17,
D20/28, 41, 42, 43, 99; D21/840
CPC G09F 17/00; G09F 2017/0008; G09F
2017/0025; G09F 2017/0041; G09F
2017/005; G09F 2017/0066; G09F
2017/0075; G09F 2017/0083; G09F
2017/0033
See application file for complete search history.

(56) **References Cited**

U.S. PATENT DOCUMENTS

D46,417 S * 9/1914 Tice D11/182
1,575,614 A * 3/1926 Blaw E04H 12/32
248/512
1,857,774 A * 5/1932 Wickman B60R 13/00
248/537
1,893,585 A * 1/1933 Hogan G09F 17/00
248/512
1,981,938 A * 11/1934 Anderson E04G 7/02
285/27
2,711,712 A * 6/1955 Reed, Jr. E04H 12/32
116/174

3,920,207 A * 11/1975 Adamaitis A01K 97/10
248/538
D271,006 S * 10/1983 Bernatek, Sr. D11/182
D292,782 S * 11/1987 Restrepo D11/108
D306,396 S * 3/1990 Brushaber 114/230.11
D340,676 S * 10/1993 Gallagher D11/181
D416,517 S 11/1999 Goldfarb
D475,677 S * 6/2003 Zucker D12/223
D476,919 S * 7/2003 Vidmar D11/182
D477,245 S * 7/2003 Luo D11/183
6,845,730 B2 * 1/2005 Cardarelli G09F 17/00
116/173
D578,057 S 10/2008 Frenock
D607,374 S * 1/2010 Durkin D11/182
D639,206 S * 6/2011 Lach G09F 17/00
D11/182

(Continued)

OTHER PUBLICATIONS

Fixed 2-Position White Bracket for Flag Pole With Mounting
Hardware (RUF), [*Primary Examiner* — Elizabeth J Oswecki
\(74\) *Attorney, Agent, or Firm* — ScienBiziP, P.C.](https://www.ebay.co.uk/itm/332813655597?_trkparms=amclsrc%3DITM%26aid%3D1110006%26algo%3DHOMESPLICE.SIM%26ao%3D1%26asc%3D234213%26meid%3Da1741ba45fc84b9a9471f3587f11450e%26pid%3D101195%26rk%3D5%26rkt%3D12%26sd,Jul. 10, 2021. (Year: 2021).*</p></div>
<div data-bbox=)

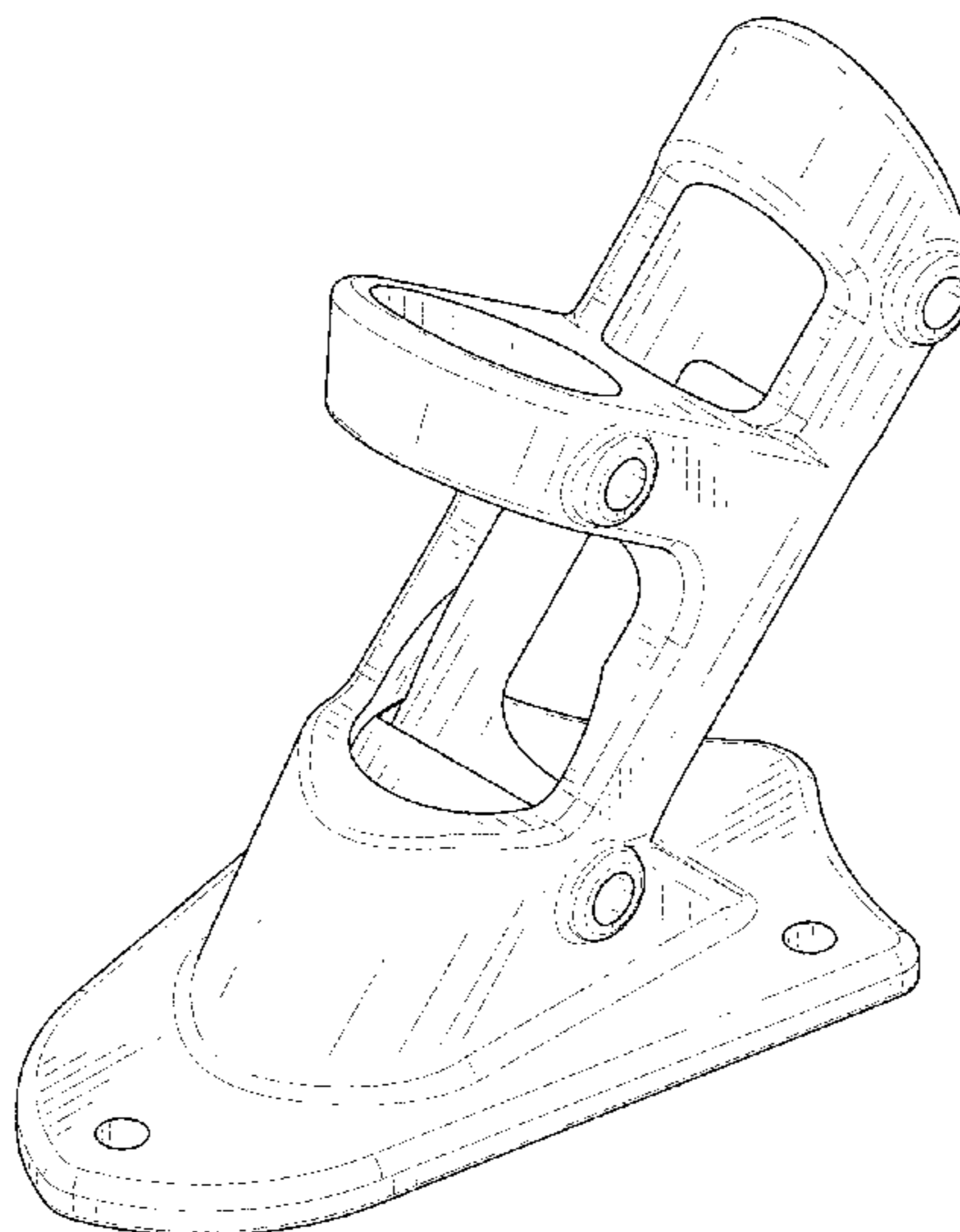
(57) **CLAIM**

The ornamental design for a flag holder, as shown and described.

DESCRIPTION

FIG. 1 is a front, right, and top perspective view of a flag holder, showing my new design;
FIG. 2 is a front elevation view thereof;
FIG. 3 is a rear elevation view thereof;
FIG. 4 is a left side elevation view thereof;
FIG. 5 is a right side elevation view thereof;
FIG. 6 is a top plan view thereof; and,
FIG. 7 is a bottom plan view thereof.

1 Claim, 7 Drawing Sheets



(56)

References Cited

U.S. PATENT DOCUMENTS

D771,522	S	*	11/2016	Grenade	D11/182
D829,598	S	*	10/2018	Sanderson, Jr.	D11/182
10,210,780	B2	*	2/2019	Williams, Jr.	G09F 17/00
D896,693	S	*	9/2020	Jennings, Jr.	D11/181
D929,896	S	*	9/2021	Zheng	D11/182
D929,897	S	*	9/2021	Cooley	D11/182
2006/0102822	A1	*	5/2006	Liang	G09F 17/00 248/514

* cited by examiner

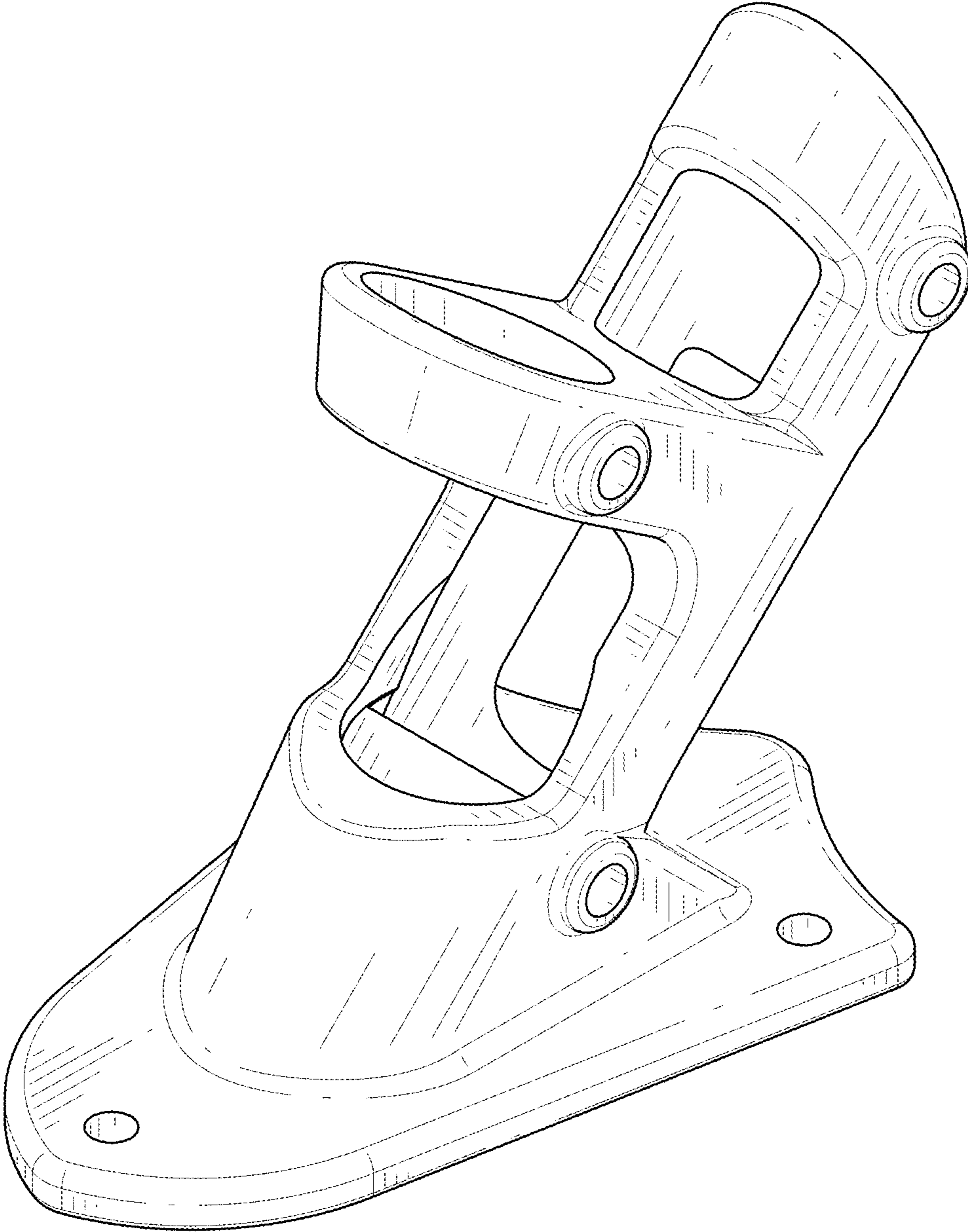


FIG. 1

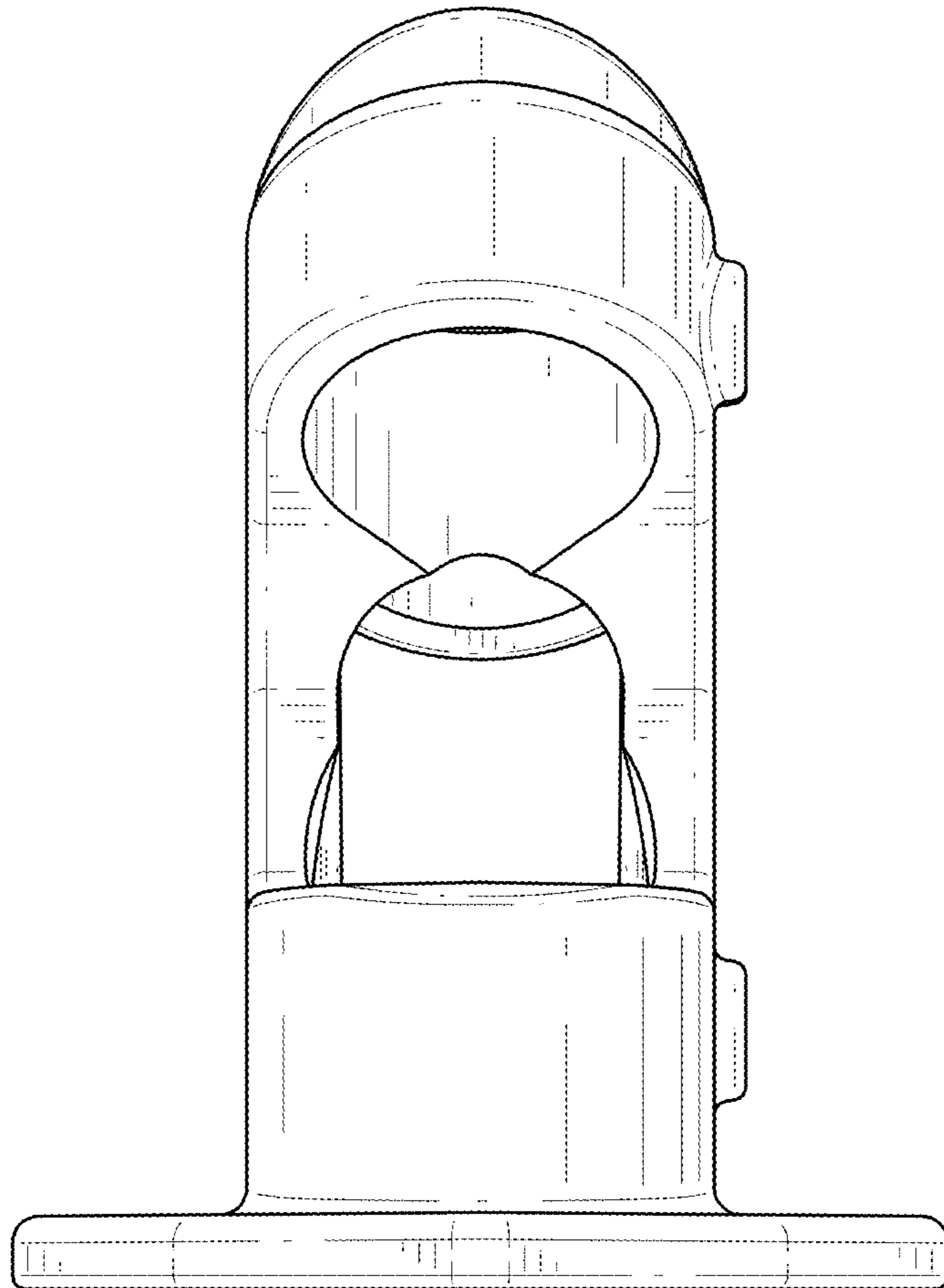


FIG. 2

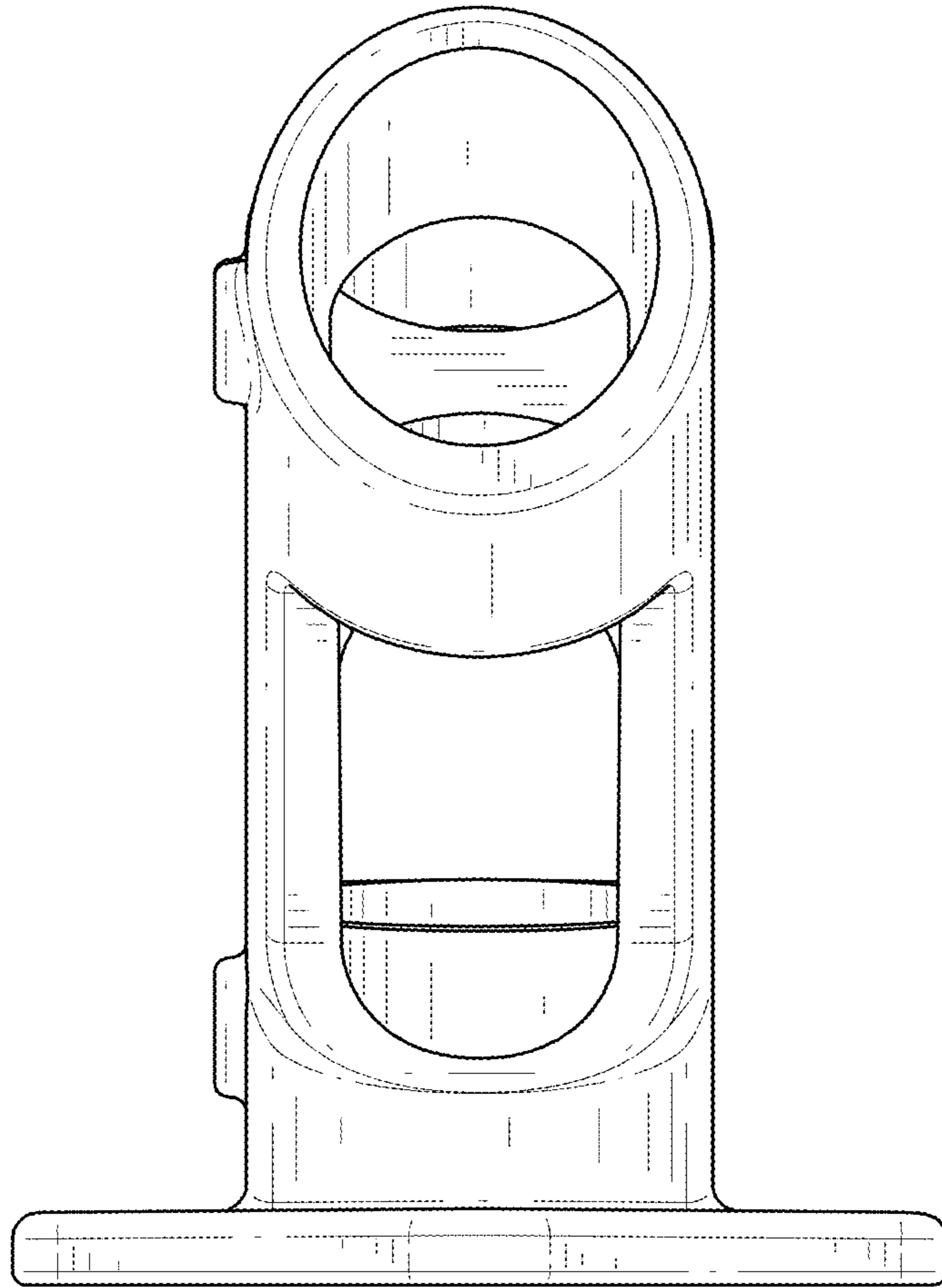


FIG. 3

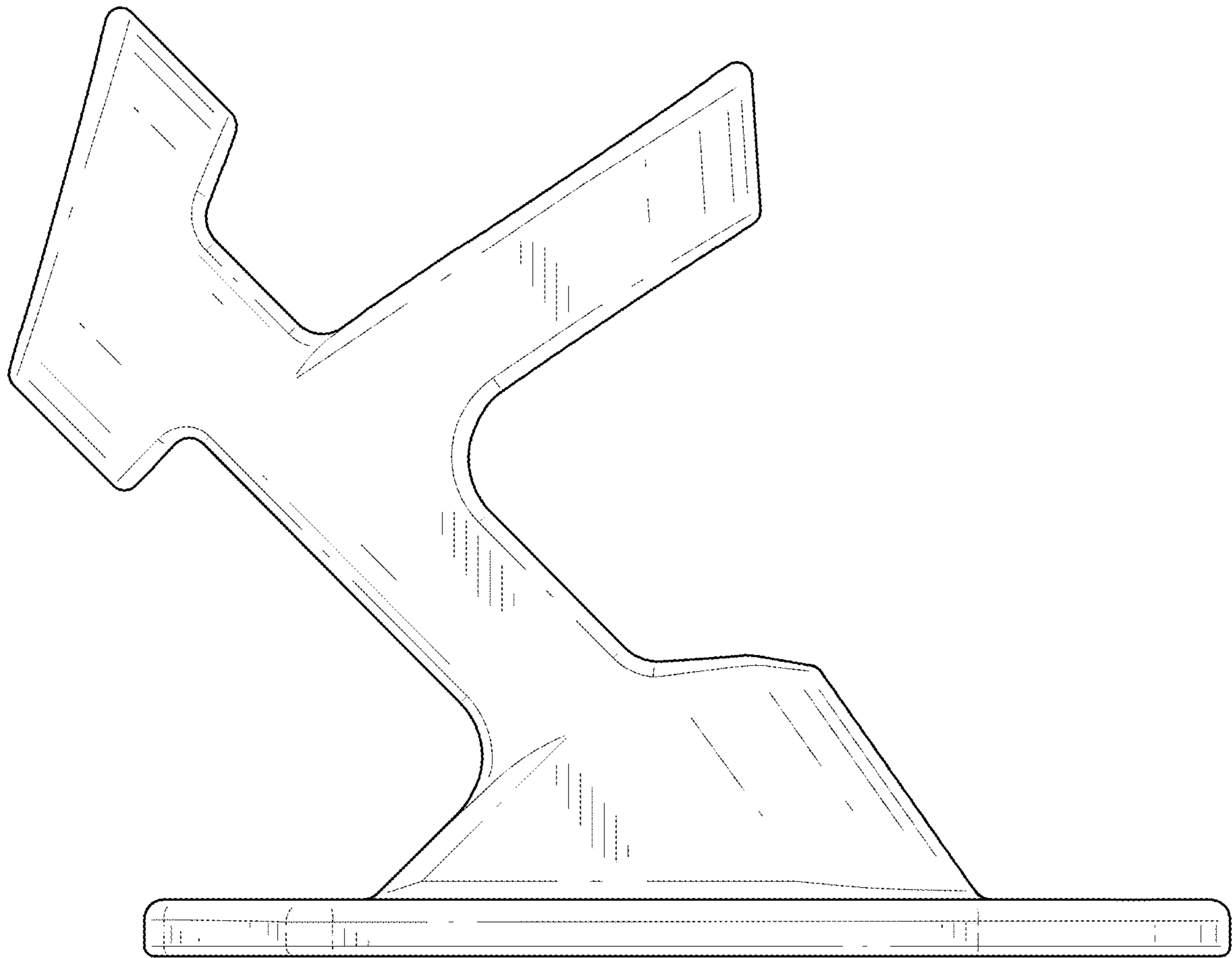


FIG. 4

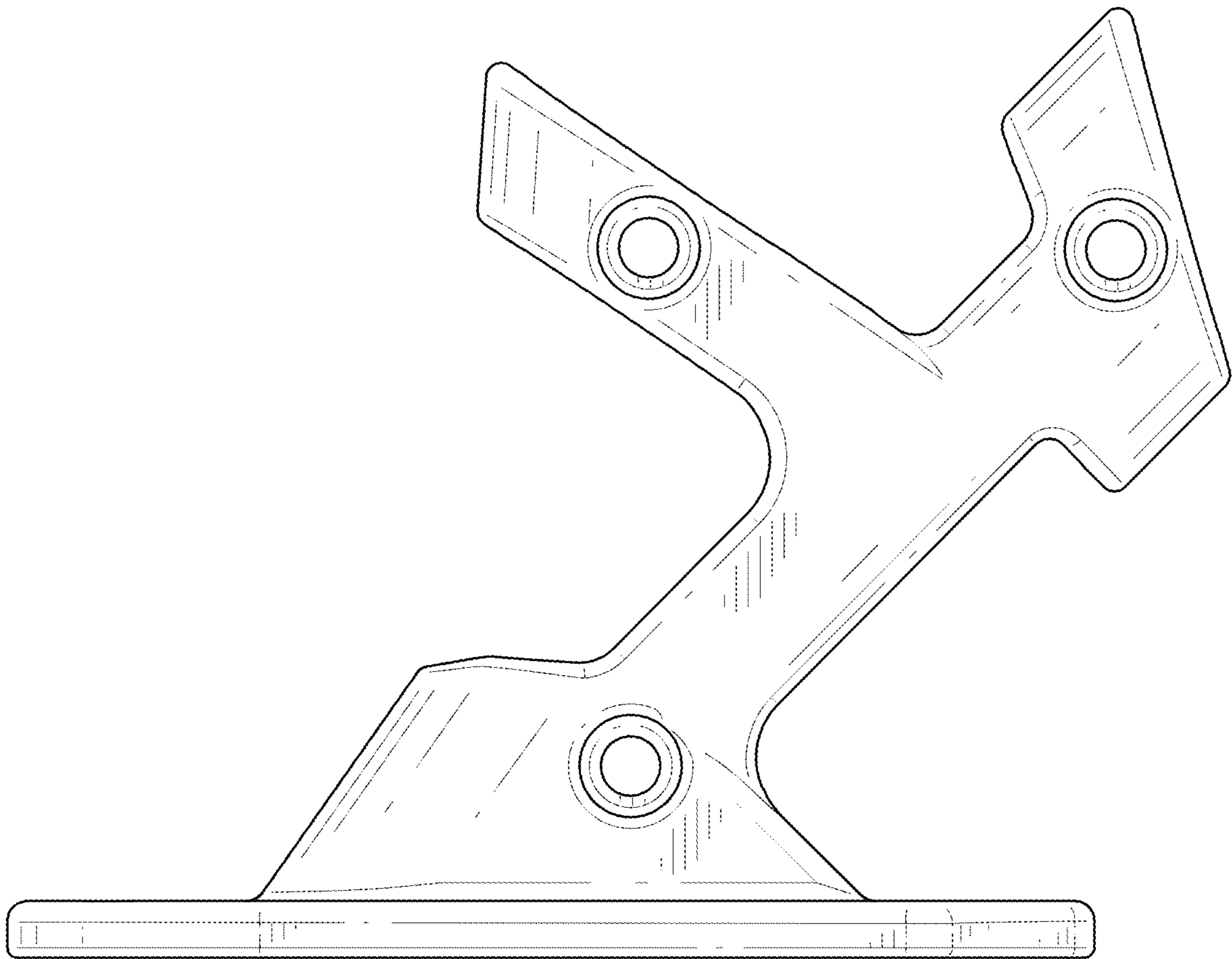


FIG. 5

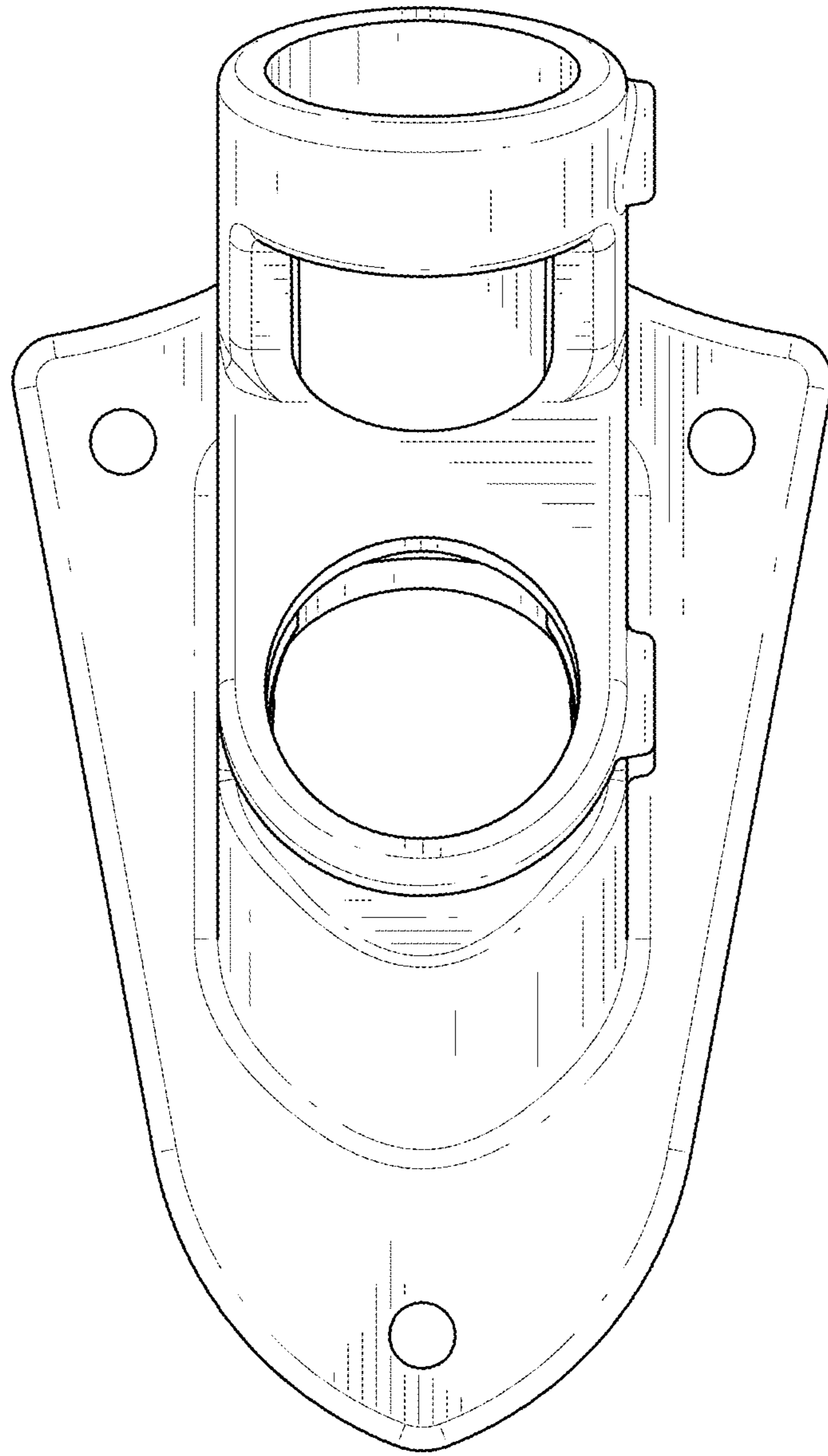


FIG. 6

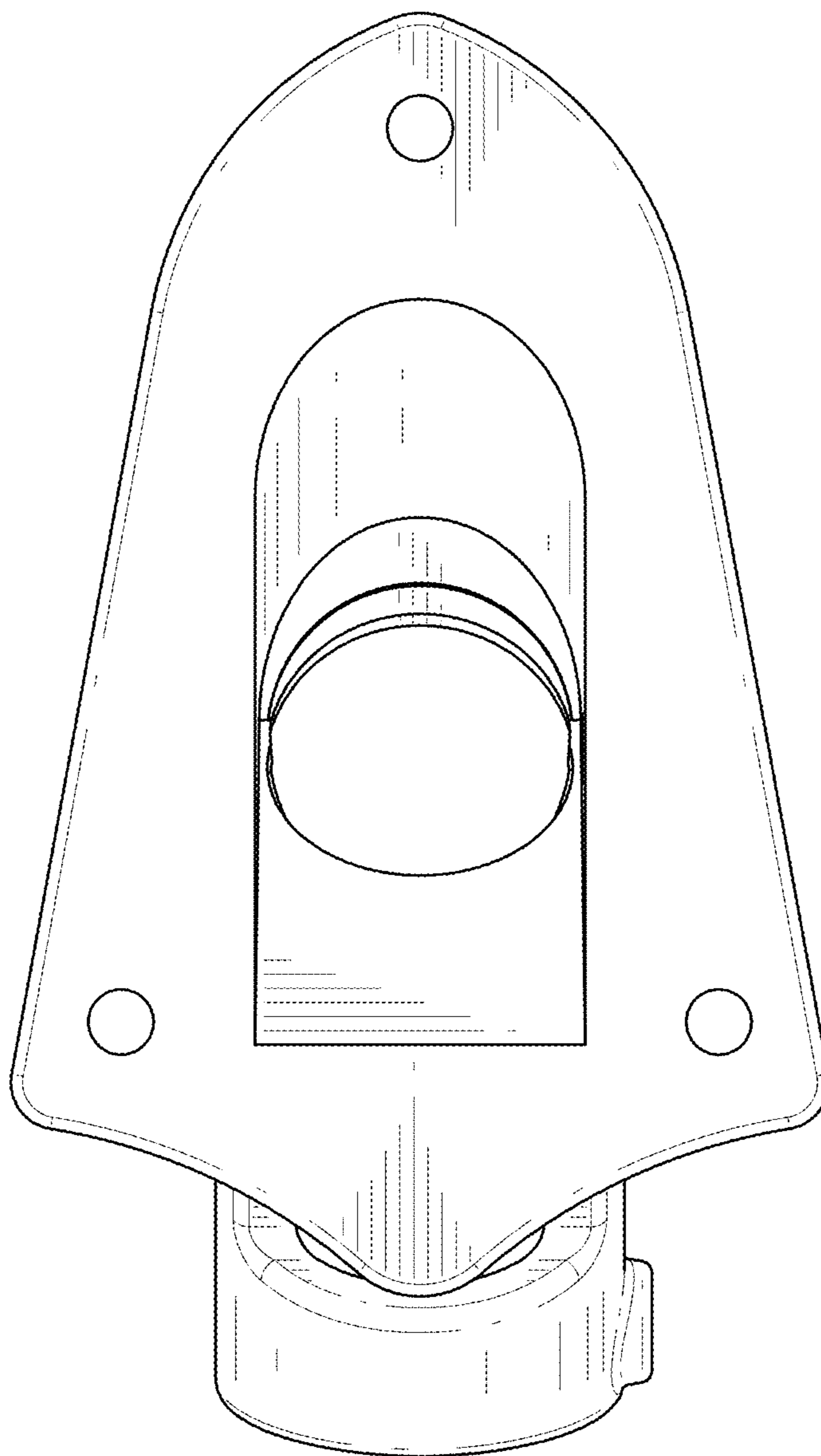


FIG. 7